



US00D847342S

(12) **United States Design Patent** (10) **Patent No.:** **US D847,342 S**  
**Surgeon et al.** (45) **Date of Patent:** **\*\* Apr. 30, 2019**

(54) **SPINAL IMPLANT**

(56) **References Cited**

(71) Applicant: **Warsaw Orthopedic, Inc.**, Warsaw, IN (US)

U.S. PATENT DOCUMENTS

(72) Inventors: **Carrie L. Surgeon**, Memphis, TN (US); **William D. Armstrong**, Memphis, TN (US); **Anthony J. Melkent**, Germantown, TN (US); **Virginia L. Richardson**, Memphis, TN (US); **Scott David Renner**, Memphis, TN (US); **Christopher C. Shaffrey**, Charlottesville, VA (US); **Lawrence G. Lenke**, New York, NY (US); **Ronald A. Lehman**, Englewood, NJ (US); **Tyler R. Koski**, Wilmette, IL (US); **Russell P. Nockels**, Chicago, IL (US); **Ian J. Harding**, Bristol (GB)

D620,110 S *	7/2010	Courtney	.....	D24/155
D620,112 S *	7/2010	Courtney	.....	D24/155
D620,113 S *	7/2010	Courtney	.....	D24/155
D630,749 S *	1/2011	Tornier	.....	D24/155
D653,757 S *	2/2012	Binder	.....	A61F 2/446
				D24/155
D665,081 S *	8/2012	Hansell	.....	A61F 2/4465
				D24/155
D718,860 S *	12/2014	Farris	.....	D24/155
8,900,310 B2 *	12/2014	Carlson	.....	A61F 2/446
				623/17.16
D722,695 S *	2/2015	Kaufmann	.....	D24/155
8,979,927 B2 *	3/2015	Huntsman	.....	A61F 2/4455
				623/17.11
D731,063 S *	6/2015	VerHage	.....	D24/155
D733,303 S *	6/2015	Peterson	.....	A61F 2/4465
				D24/155
D737,446 S *	8/2015	Butler	.....	A61F 2/4455
				D24/155
D741,488 S *	10/2015	Tohmeh	.....	D24/155
9,198,774 B2 *	12/2015	Pisharodi	.....	A61F 2/447

(73) Assignee: **Warsaw Orthopedic, Inc.**, Warsaw, IN (US)

(Continued)

(\*\*) Term: **15 Years**

*Primary Examiner* — Charles D Hanson

(21) Appl. No.: **29/624,418**

(57) **CLAIM**

The ornamental design for a spinal implant, as shown and described.

(22) Filed: **Oct. 31, 2017**

(51) **LOC (11) Cl.** ..... **24-03**

**DESCRIPTION**

(52) **U.S. Cl.**

USPC ..... **D24/155**

(58) **Field of Classification Search**

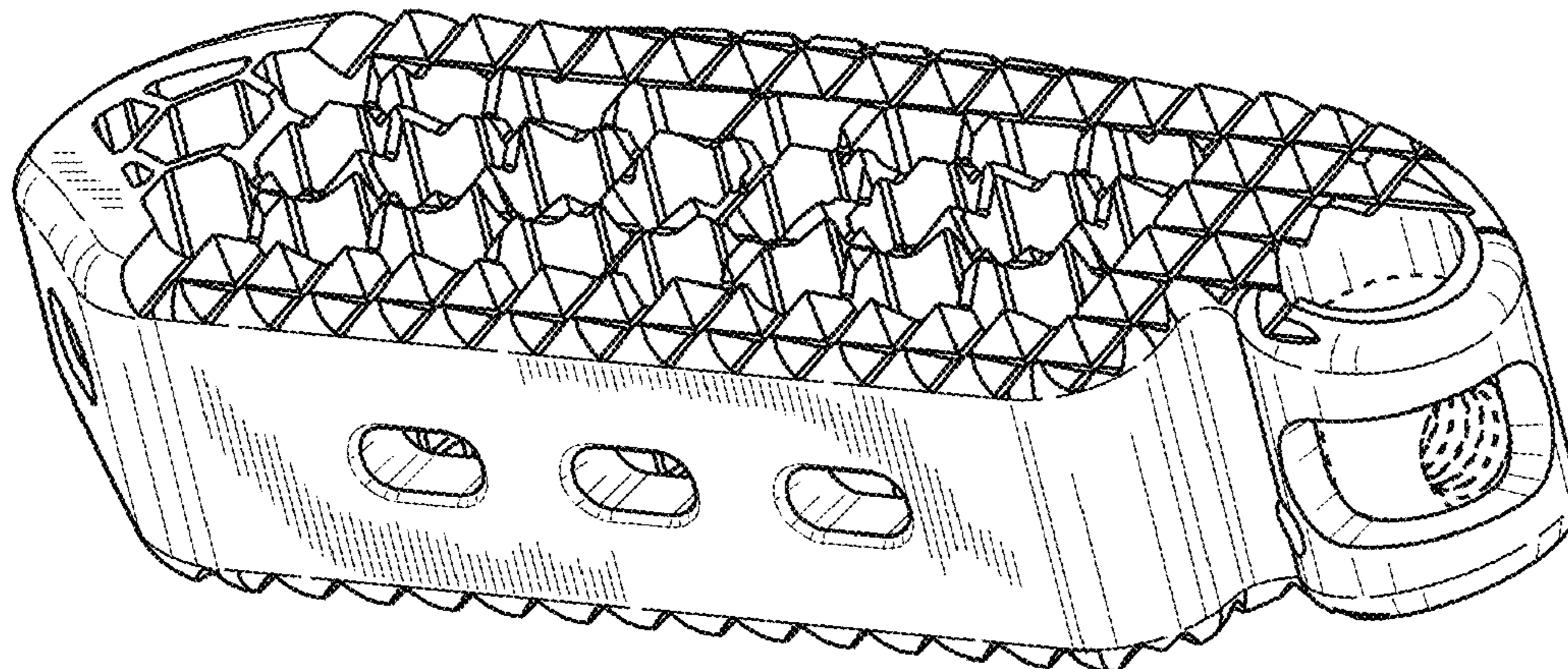
USPC ..... D24/155-157

CPC ..... A61F 2/4611; A61F 2/442; A61F 2/447; A61F 2220/0025; A61F 2310/00023; A61F 2310/00017; A61F 2002/4475; A61F 2002/30841; A61F 2002/2835; A61F 2002/30904; A61F 2002/30785; A61F 2002/443; A61F 2002/30578

FIG. 1 is a perspective view of a spinal implant; FIG. 2 is a side view of the spinal implant; FIG. 3 is a side view of the spinal implant; FIG. 4 is a top view of the spinal implant; FIG. 5 is a bottom view of the spinal implant; FIG. 6 is a side view of the spinal implant; and, FIG. 7 is a side view of the spinal implant. The broken lines shown in the drawings illustrate structural environment and form no part of the claimed design.

See application file for complete search history.

**1 Claim, 6 Drawing Sheets**



(56)

**References Cited**

U.S. PATENT DOCUMENTS

9,295,562	B2 *	3/2016	Lechmann	.....	A61F 2/3094
D753,305	S *	4/2016	Butler	.....	A61F 2/4465
					D24/155
9,320,610	B2 *	4/2016	Alheidt	.....	A61F 2/4611
2002/0169508	A1 *	11/2002	Songer	.....	A61B 17/70
					623/17.11
2003/0023306	A1 *	1/2003	Liu	.....	A61F 2/447
					623/17.11
2003/0105528	A1 *	6/2003	Shimp	.....	A61F 2/28
					623/17.16
2003/0139812	A1 *	7/2003	Garcia	.....	A61B 17/025
					623/17.11

\* cited by examiner

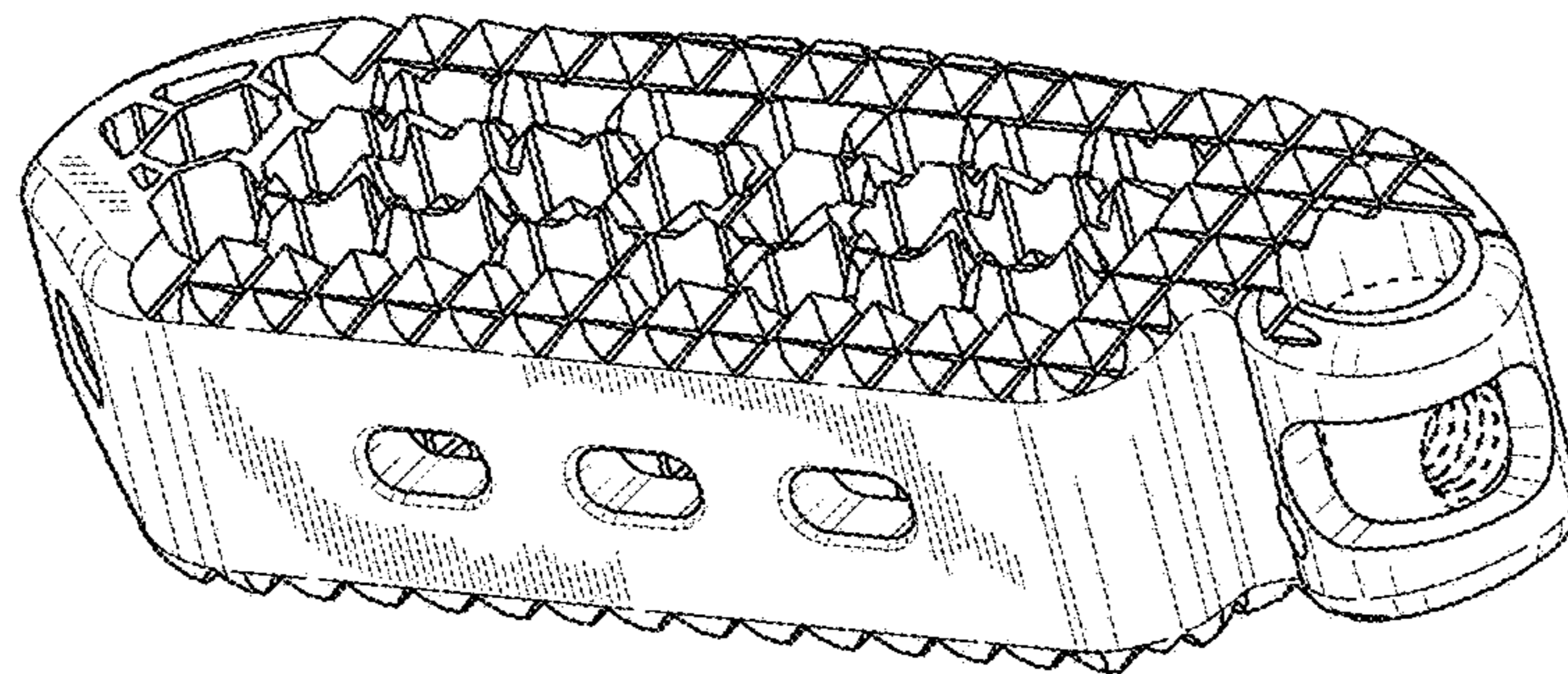


FIG. 1

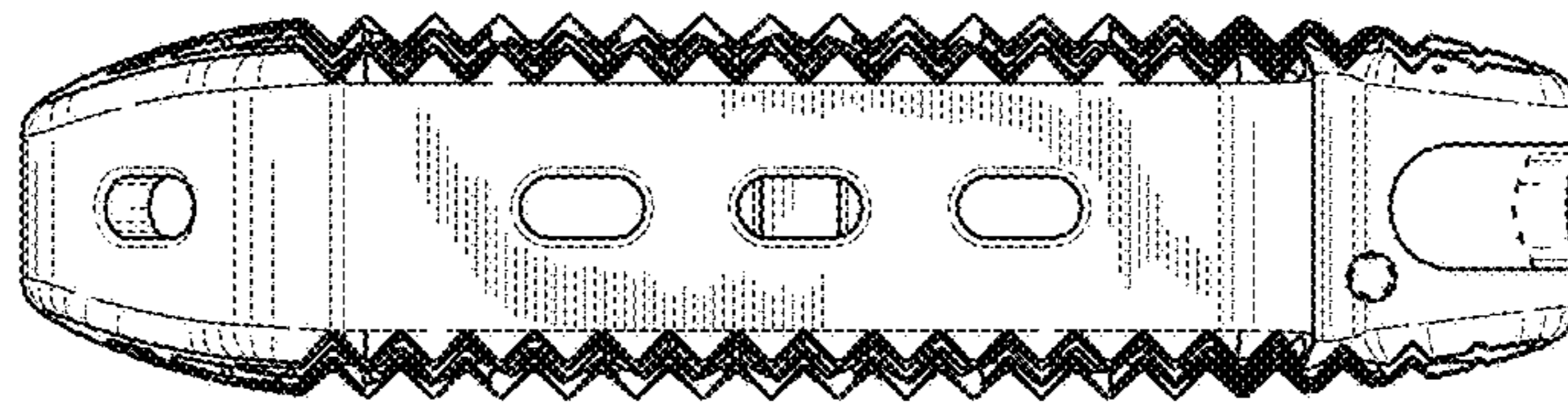


FIG. 2

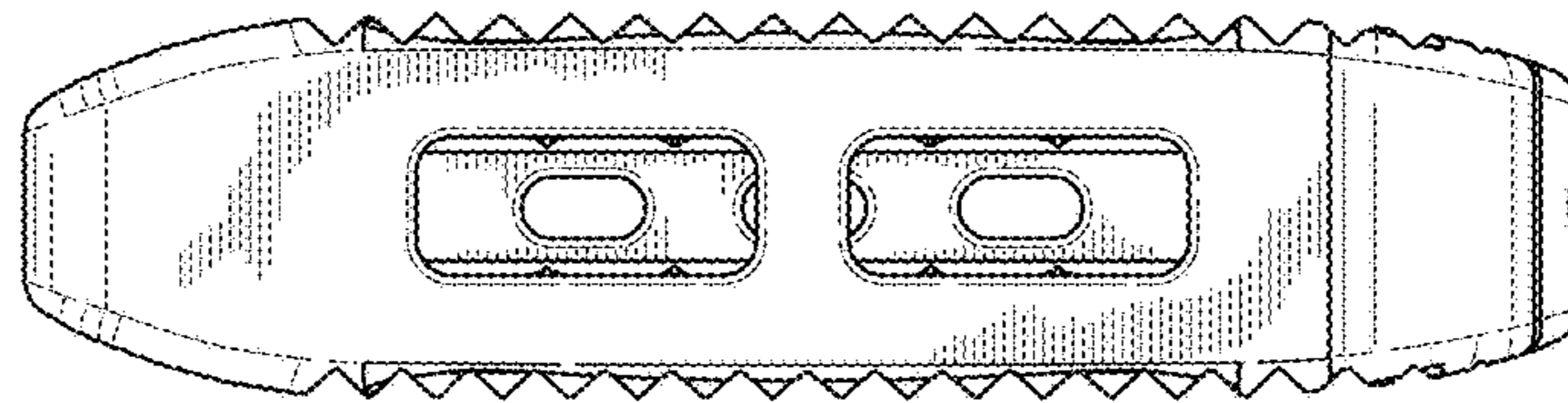


FIG. 3

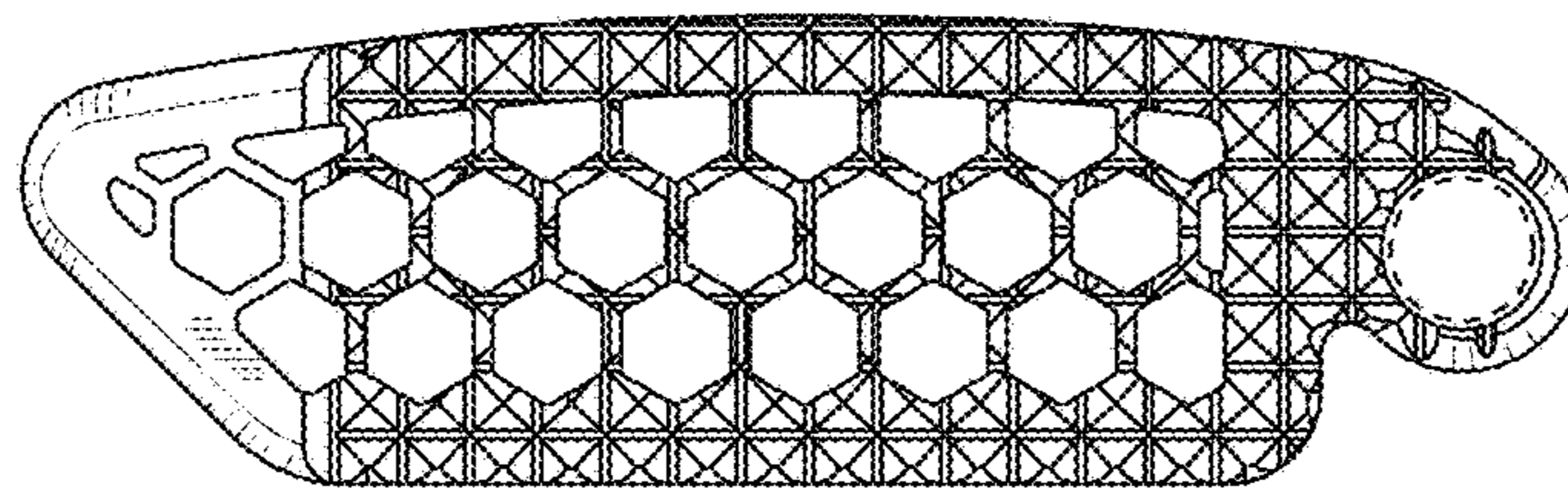


FIG. 4

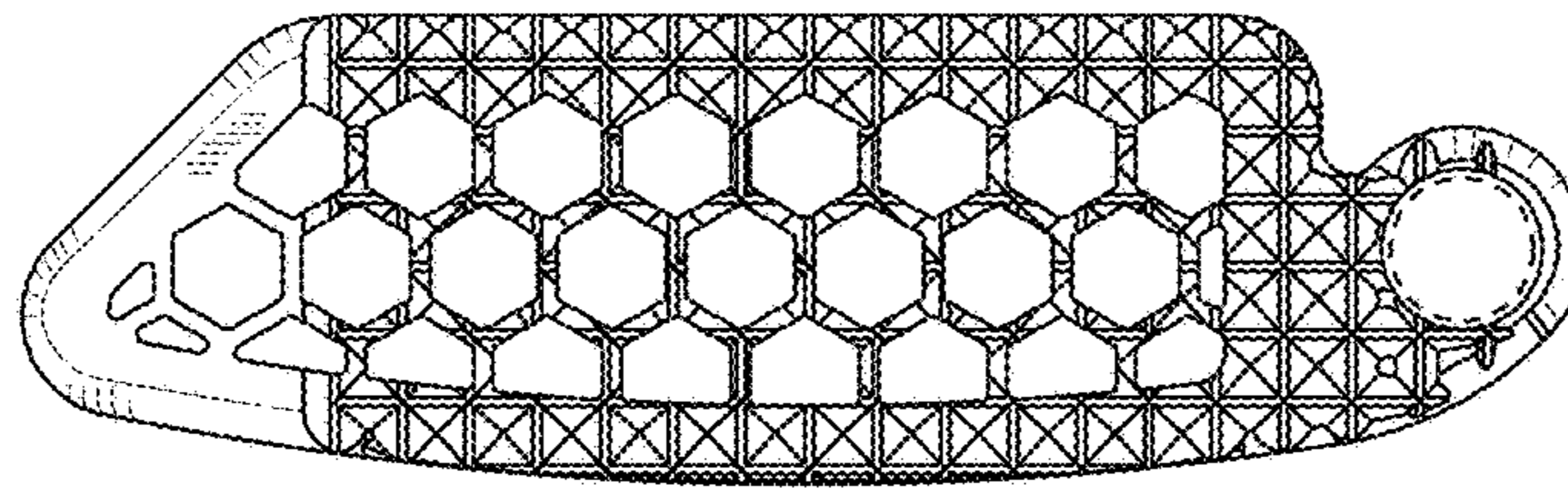


FIG. 5

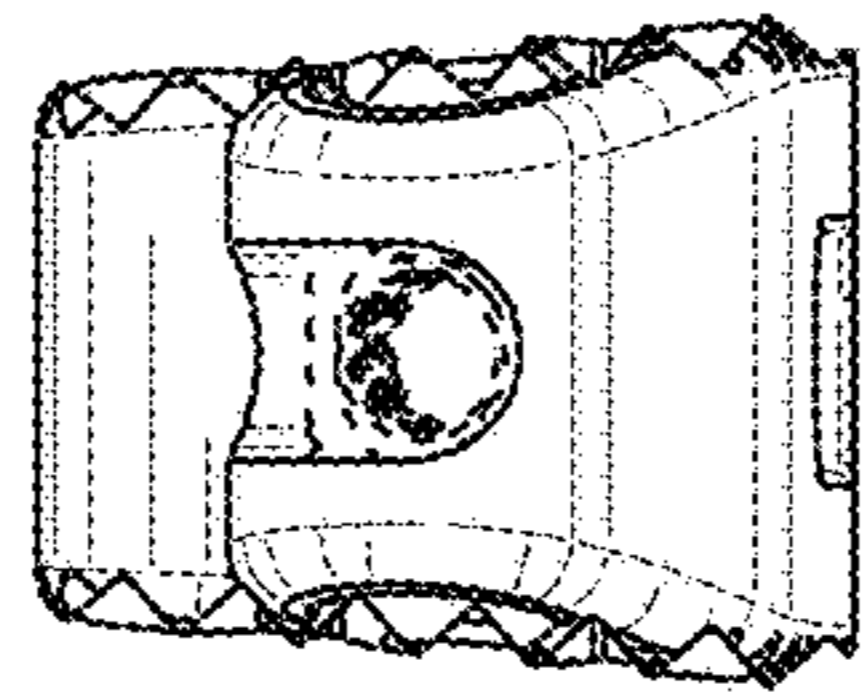


FIG. 6

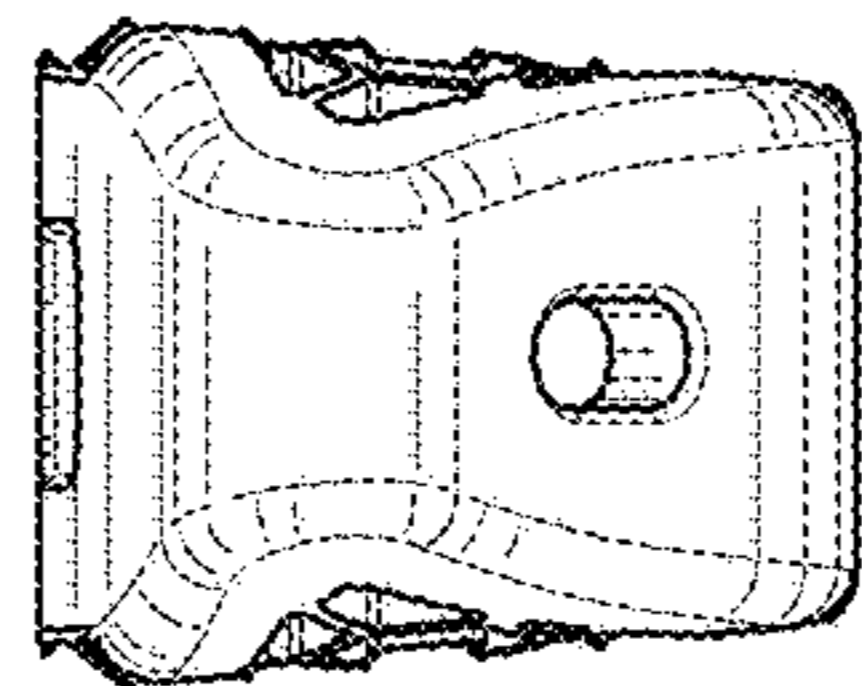


FIG. 7