



US00D847340S

(12) **United States Design Patent**
Masciale

(10) **Patent No.:** **US D847,340 S**

(45) **Date of Patent:** **** Apr. 30, 2019**

(54) **TRANSFORAMINAL LUMBAR INTERBODY FUSION DEVICE**

Primary Examiner — Charles D Hanson

(74) *Attorney, Agent, or Firm* — David O. Simmons; IVC Patent Agency

(71) Applicant: **Ikon Spine LLC**, Austin, TX (US)

(72) Inventor: **John Phillip Masciale**, Corpus Christi, TX (US)

(57) **CLAIM**

(73) Assignee: **Ikon Spine LLC**, Austin, TX (US)

The ornamental design for a transforaminal lumbar interbody fusion device, as shown and described.

(**) Term: **15 Years**

(21) Appl. No.: **29/623,556**

(22) Filed: **Oct. 25, 2017**

DESCRIPTION

(51) **LOC (11) Cl.** **24-03**

(52) **U.S. Cl.**
USPC **D24/155**

(58) **Field of Classification Search**
USPC D24/155–157
CPC A61F 2/4611; A61F 2/442; A61F 2/447;
A61F 2220/0025; A61F 2310/00023;
A61F 2310/00017; A61F 2002/4475;
A61F 2002/30841; A61F 2002/2835;
A61F 2002/30904; A61F 2002/30785;
A61F 2002/443; A61F 2002/30578
See application file for complete search history.

FIG. 1 is a first top perspective view of a transforaminal lumbar interbody fusion device in accordance with an embodiment of the present invention, wherein a corresponding bottom perspective view is an identical mirror image; FIG. 2 is second top perspective view of the transforaminal lumbar interbody fusion device shown in FIG. 1, wherein a corresponding bottom perspective view is an identical mirror image; FIG. 3 is third perspective view of the transforaminal lumbar interbody fusion device shown in FIG. 1, wherein a corresponding bottom perspective view is an identical mirror image; FIG. 4 is front tip elevation view of the transforaminal lumbar interbody fusion device shown in FIG. 1; FIG. 5 is front elevation view of the transforaminal lumbar interbody fusion device shown in FIG. 1; FIG. 6 is rear elevation view of the transforaminal lumbar interbody fusion device shown in FIG. 1; FIG. 7 is a top view of the transforaminal lumbar interbody fusion device shown in FIG. 1; FIG. 8 is a bottom view of the transforaminal lumbar interbody fusion device shown in FIG. 1; FIG. 9 is a left side elevation view of the transforaminal lumbar interbody fusion device shown in FIG. 1; and, FIG. 10 is a right side elevation view of the transforaminal lumbar interbody fusion device shown in FIG. 1.

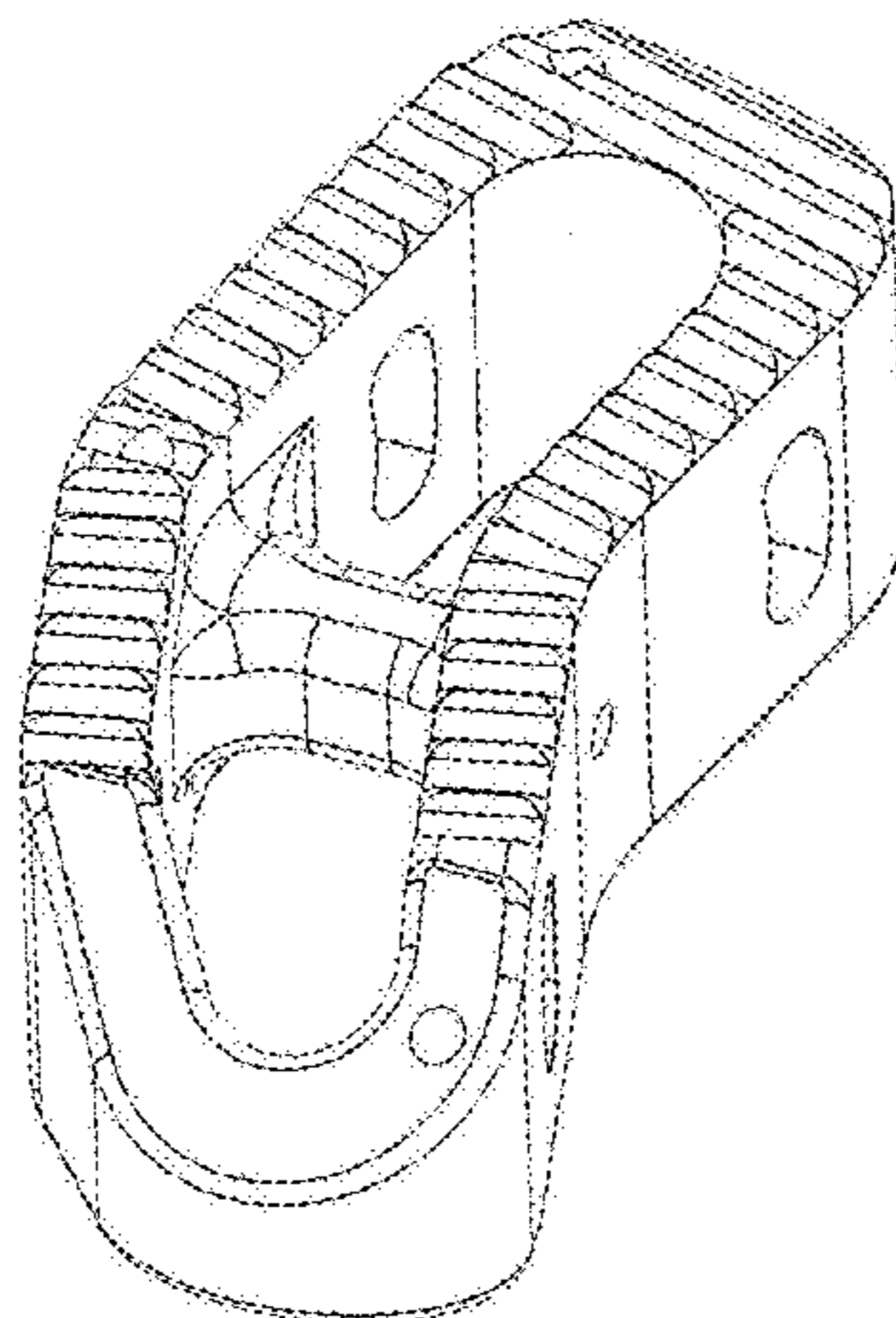
(56) **References Cited**

U.S. PATENT DOCUMENTS

D620,110 S *	7/2010	Courtney	D24/155
D620,112 S *	7/2010	Courtney	D24/155
D620,113 S *	7/2010	Courtney	D24/155
D630,749 S *	1/2011	Tornier	D24/155
D653,757 S *	2/2012	Binder	A61F 2/446 D24/155
D665,081 S *	8/2012	Hansell	A61F 2/4465 D24/155
D718,860 S *	12/2014	Farris	D24/155
8,900,310 B2 *	12/2014	Carlson	A61F 2/446 623/17.16
D722,695 S *	2/2015	Kaufmann	D24/155

(Continued)

1 Claim, 5 Drawing Sheets



(56)

References Cited

U.S. PATENT DOCUMENTS

8,979,927 B2 * 3/2015 Huntsman A61F 2/4455
623/17.11
D731,063 S * 6/2015 VerHage D24/155
D733,303 S * 6/2015 Peterson A61F 2/4465
D24/155
D737,446 S * 8/2015 Butler A61F 2/4455
D24/155
D741,488 S * 10/2015 Tohmeh D24/155
9,198,774 B2 * 12/2015 Pisharodi A61F 2/447
9,295,562 B2 * 3/2016 Lechmann A61F 2/3094
D753,305 S * 4/2016 Butler A61F 2/4465
D24/155
9,320,610 B2 * 4/2016 Alheidt A61F 2/4611
2002/0169508 A1 * 11/2002 Songer A61B 17/70
623/17.11
2003/0023306 A1 * 1/2003 Liu A61F 2/447
623/17.11
2003/0105528 A1 * 6/2003 Shimp A61F 2/28
623/17.16
2003/0139812 A1 * 7/2003 Garcia A61B 17/025
623/17.11

* cited by examiner

FIG. 1

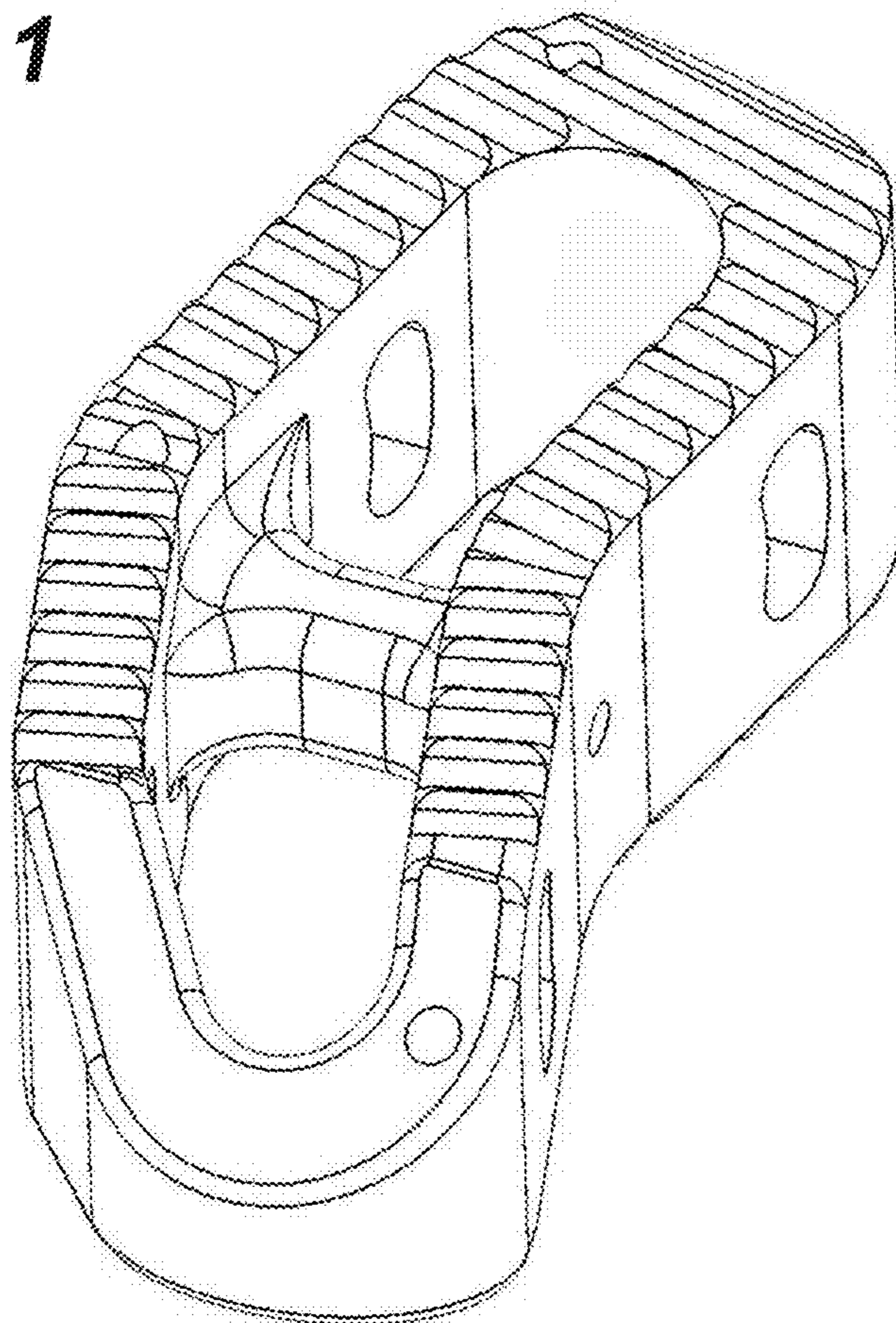


FIG. 2

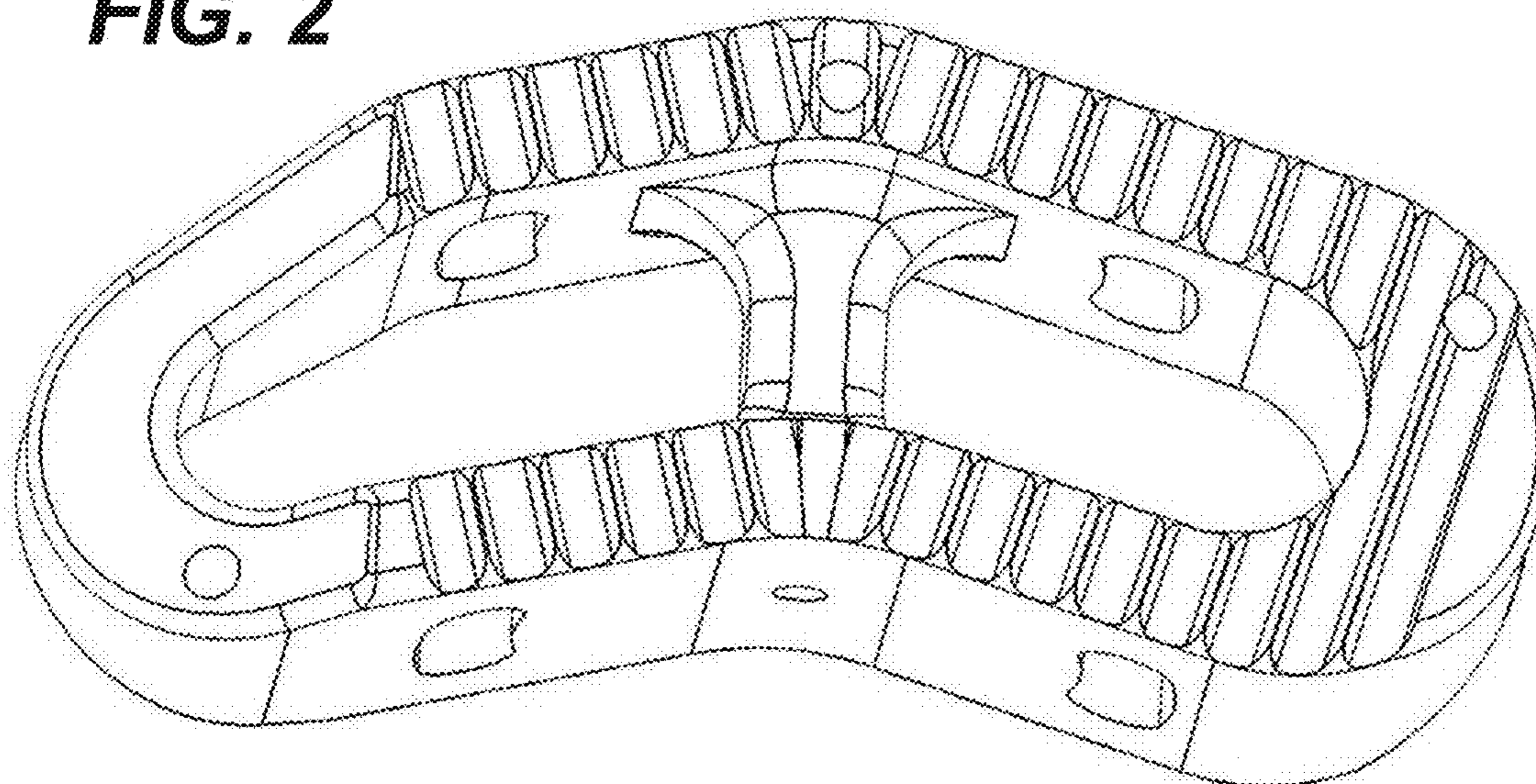


FIG. 3

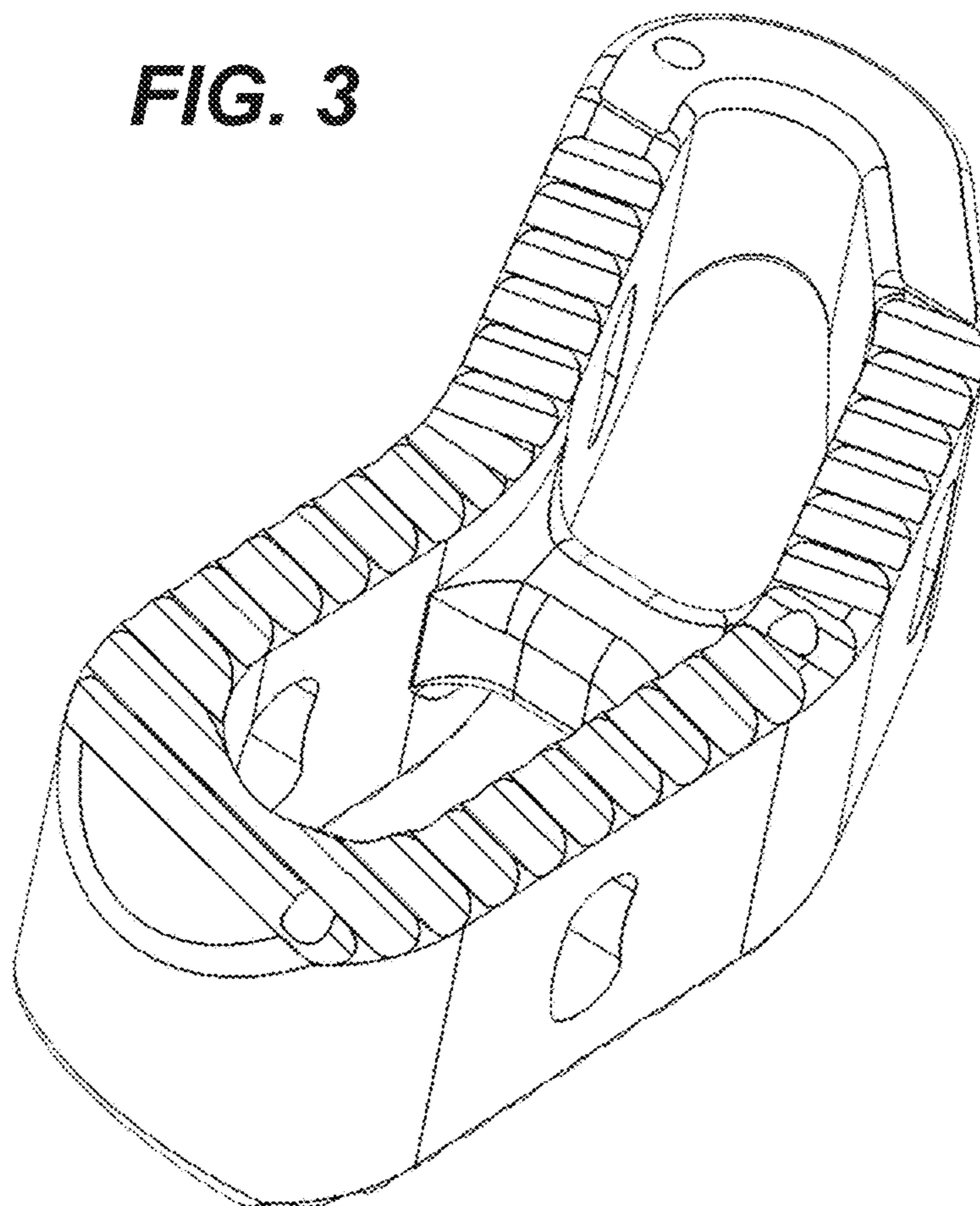


FIG. 4

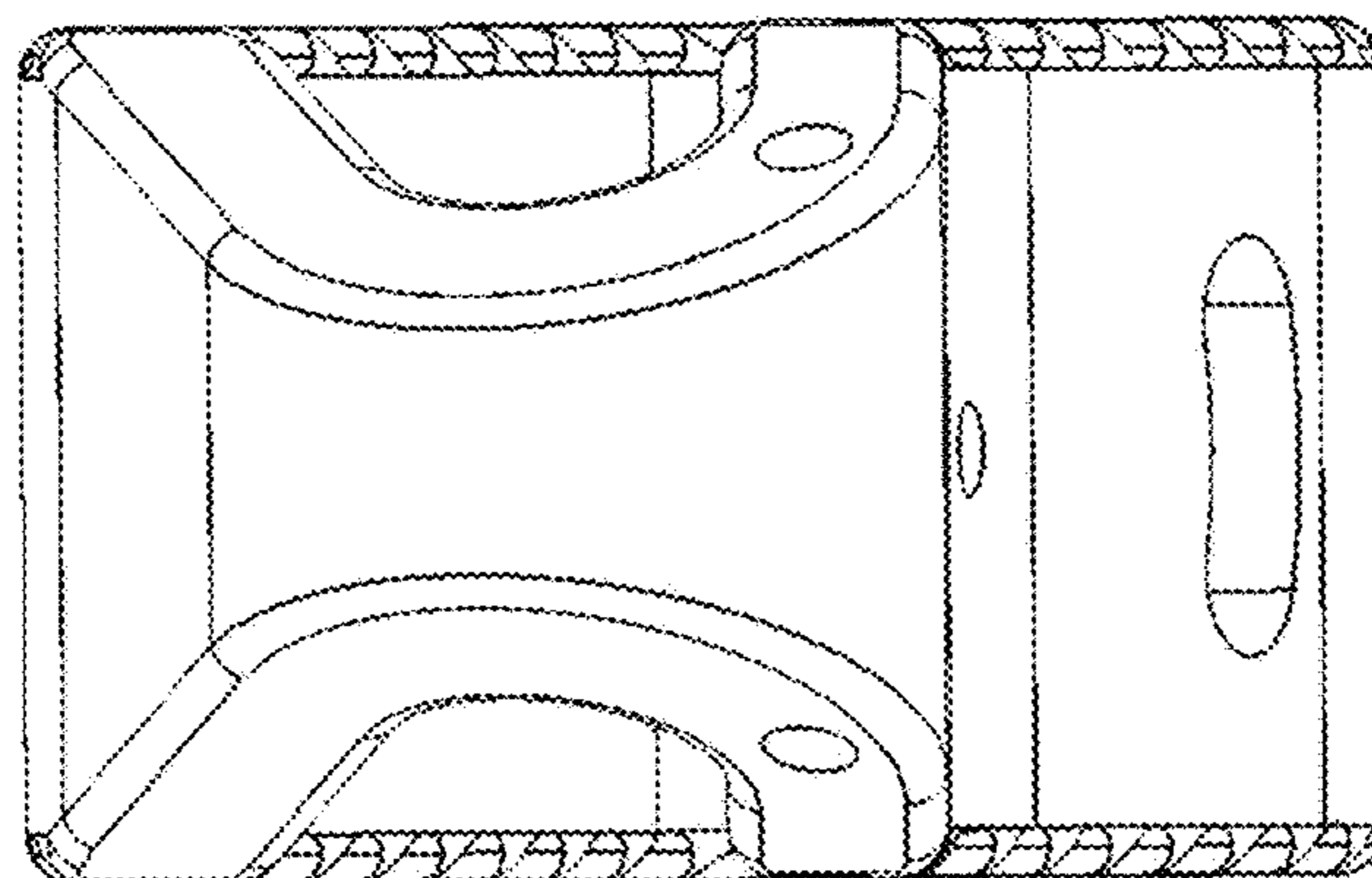


FIG. 5

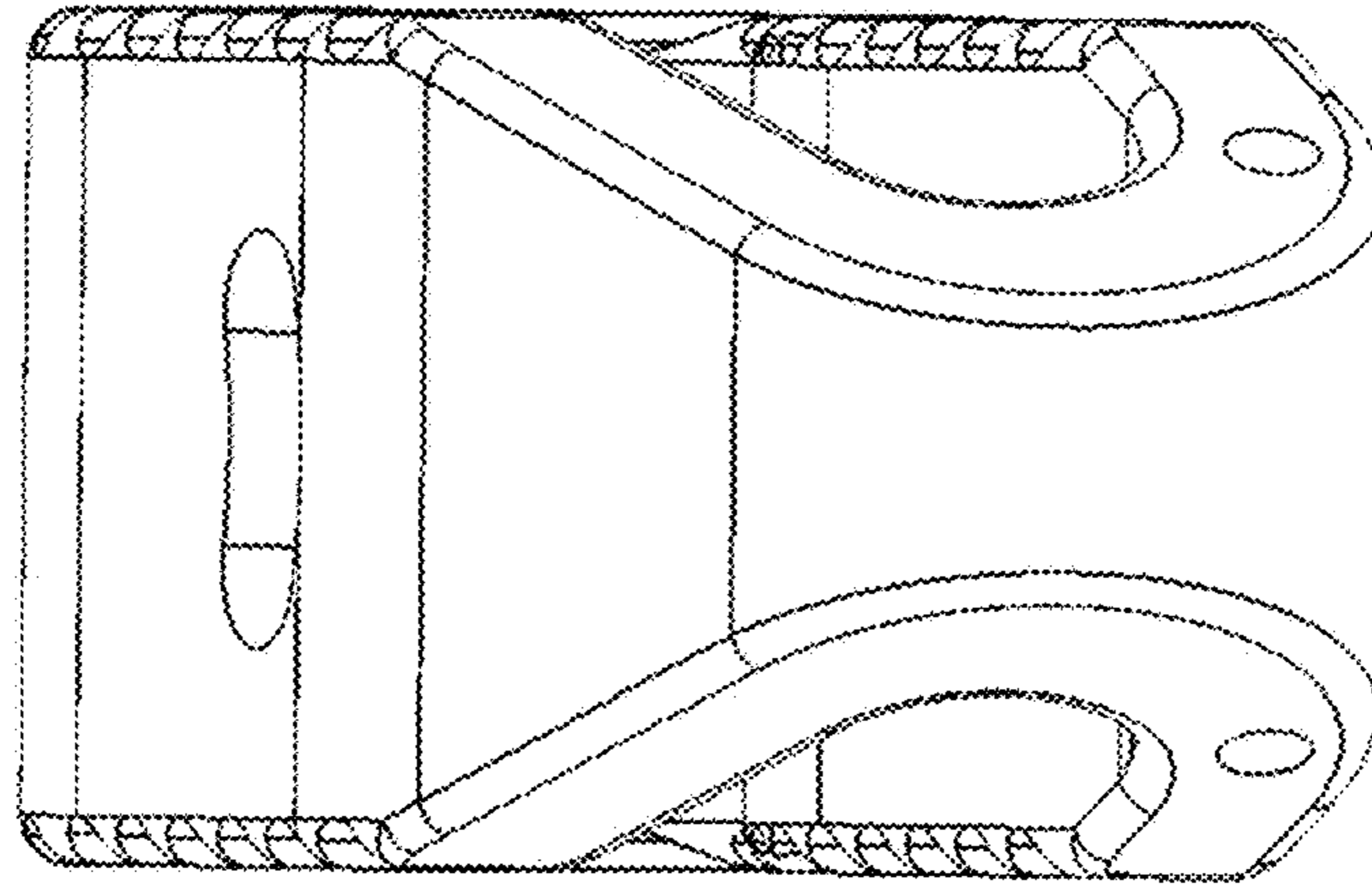


FIG. 6

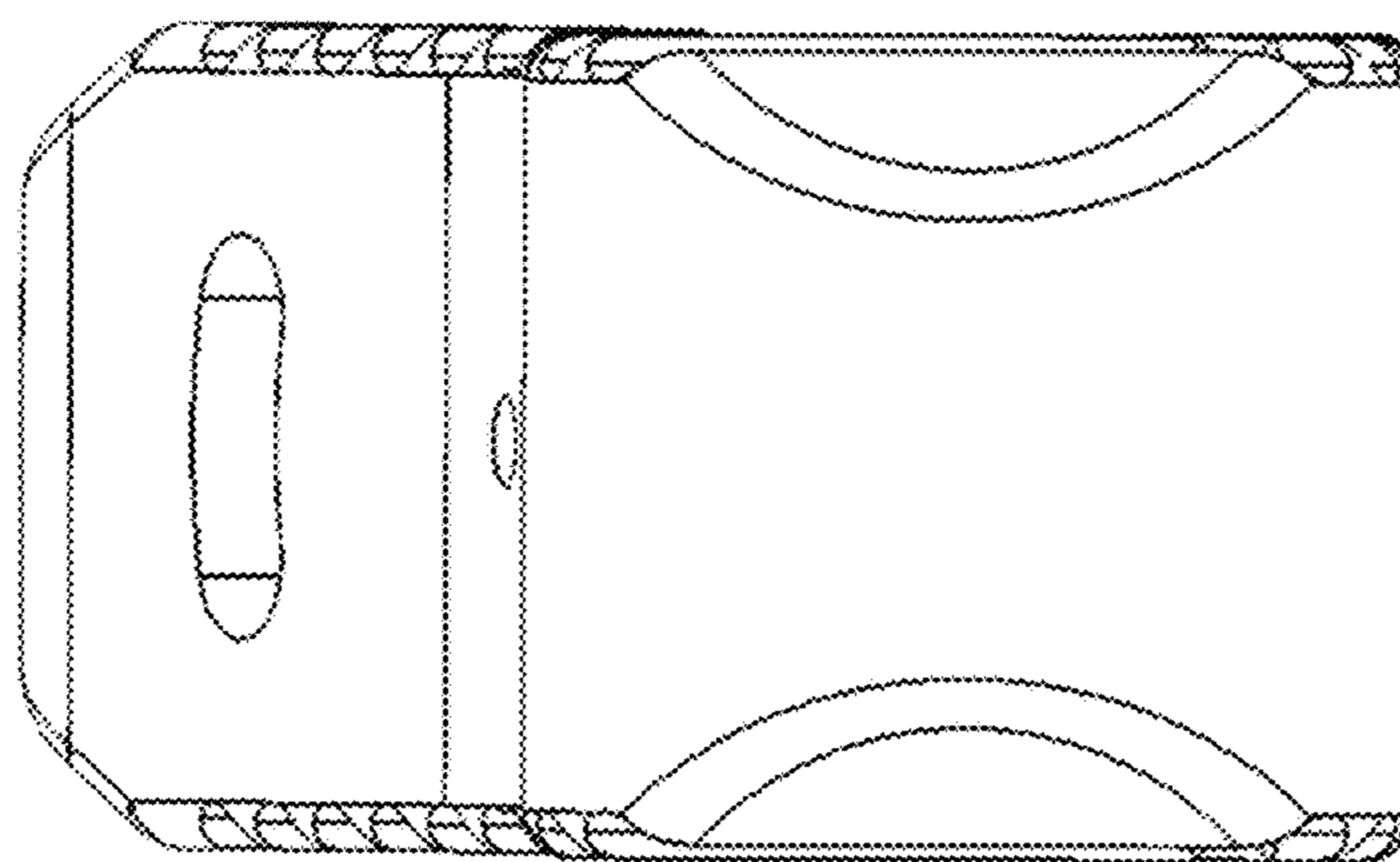


FIG. 7

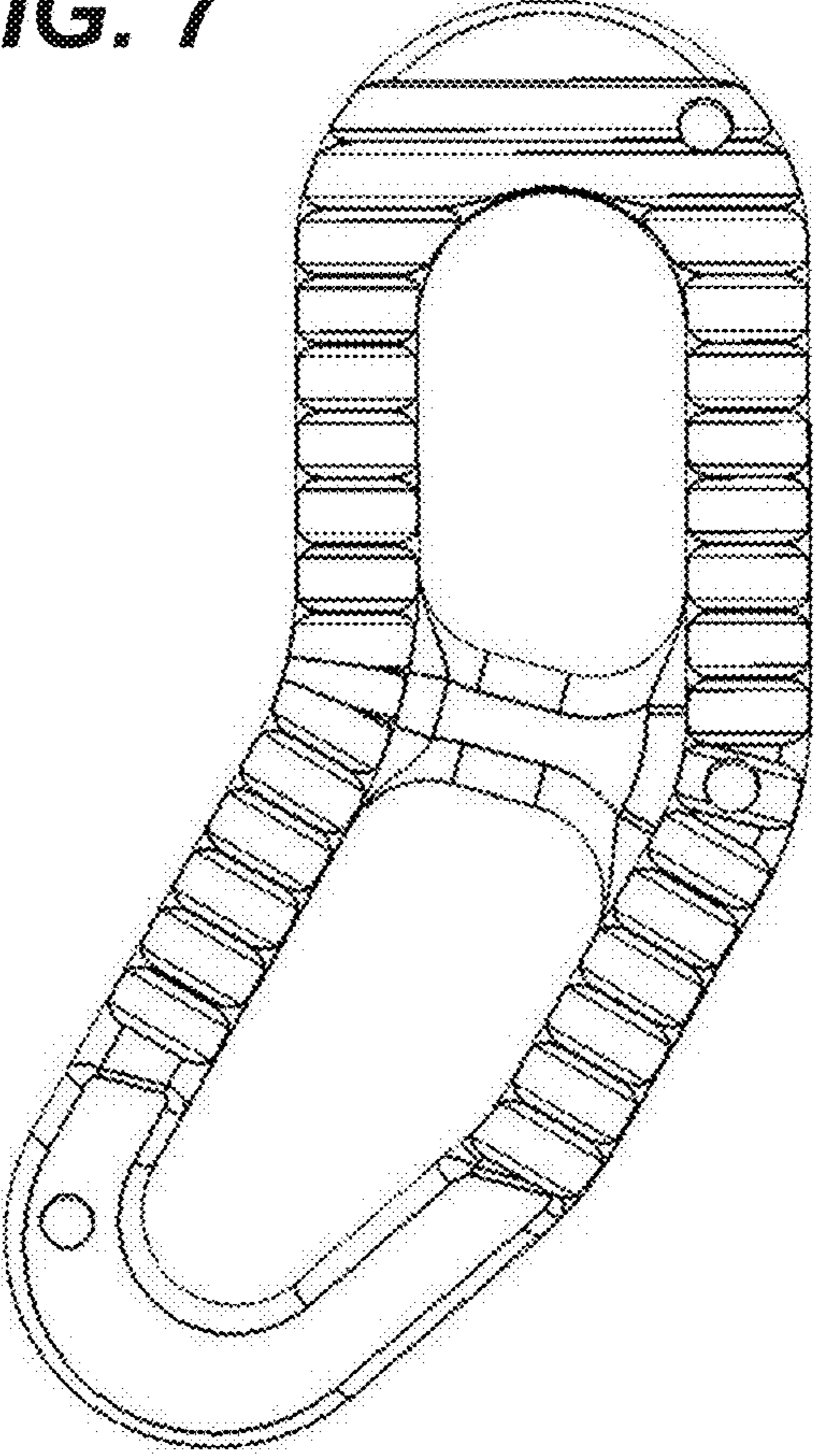


FIG. 8

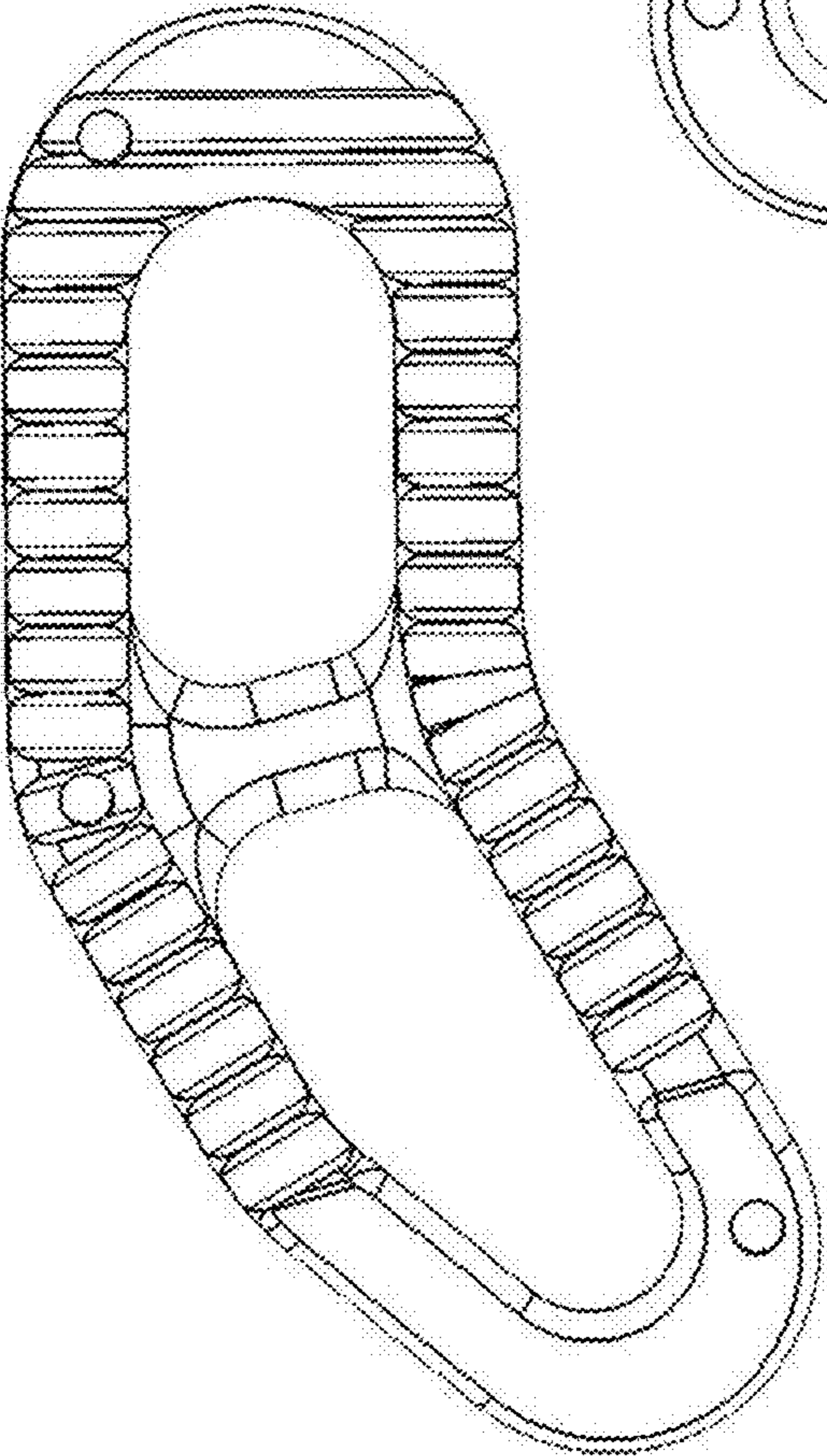


FIG. 9

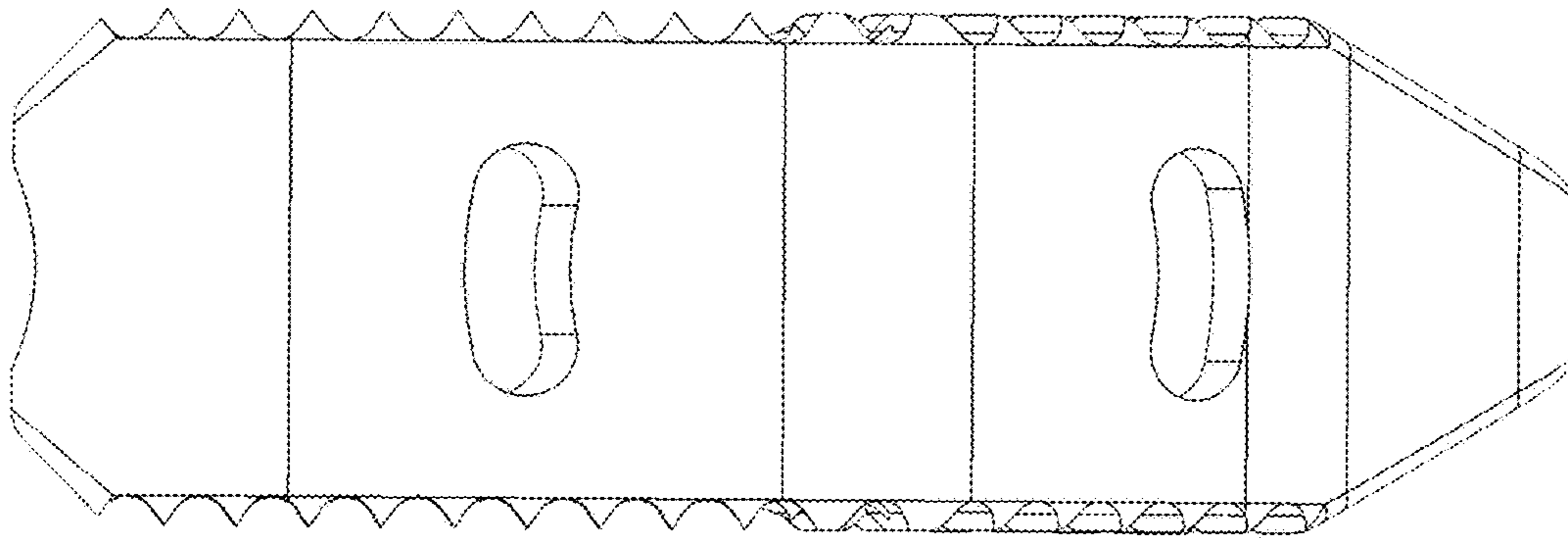


FIG. 10

