



US00D847339S

(12) **United States Design Patent**
Abbasi

(10) **Patent No.:** **US D847,339 S**

(45) **Date of Patent:** **** Apr. 30, 2019**

(54) **SPINAL FUSION CAGE**

(71) Applicant: **Advance Research System, LLC**,
Edina, MN (US)

(72) Inventor: **Hamid R. Abbasi**, Edina, MN (US)

(73) Assignee: **Advanced Research System, LLC**,
Edina, MN (US)

(**) Term: **15 Years**

(21) Appl. No.: **29/608,791**

(22) Filed: **Jun. 26, 2017**

(51) **LOC (11) Cl.** **24-03**

(52) **U.S. Cl.**
USPC **D24/155**

(58) **Field of Classification Search**
USPC D24/155-157

(Continued)

(56) **References Cited**

U.S. PATENT DOCUMENTS

6,443,987 B1 9/2002 Bryan
6,942,698 B1 9/2005 Jackson

(Continued)

FOREIGN PATENT DOCUMENTS

EP 1099429 5/2001
FR 2946245 12/2010

(Continued)

OTHER PUBLICATIONS

Design World "Peek Thermoplastic Used to Develop Spinal Spacer Devices" downloaded from the internet on Oct. 20, 2017, at <http://www.designworldonline.com/peek-thermoplastic-used-to-develop-spinal-spacer-devices/#> published (Nov. 29, 2012).

(Continued)

Primary Examiner — Charles D Hanson

(74) *Attorney, Agent, or Firm* — Christensen, Fonder,
Dardi & Herbert PLLC

(57) **CLAIM**

I claim the ornamental design for the spinal fusion cage, as shown and described.

DESCRIPTION

FIG. 1 is a top, rear perspective view of a spinal fusion cage according to an embodiment of the disclosure.

FIG. 2 is a bottom, front perspective view of the spinal fusion cage of FIG. 1.

FIG. 3 is a top view of the spinal fusion cage of FIG. 1. The bottom view of the spinal fusion cage of FIG. 1 is identical.

FIG. 4 is a left side view of the spinal fusion cage of FIG. 1.

FIG. 5 is a right side view of the spinal fusion cage of FIG. 1.

FIG. 6 is a front view of the spinal fusion cage of FIG. 1.

FIG. 7 is a rear view of the spinal fusion cage of FIG. 1.

FIG. 8 is a top, rear perspective view of a spinal fusion cage according to an embodiment of the disclosure.

FIG. 9 is a bottom, front perspective view of the spinal fusion cage of FIG. 8.

FIG. 10 is a top view of the spinal fusion cage of FIG. 8. The bottom view of the spinal fusion cage of FIG. 8 is identical.

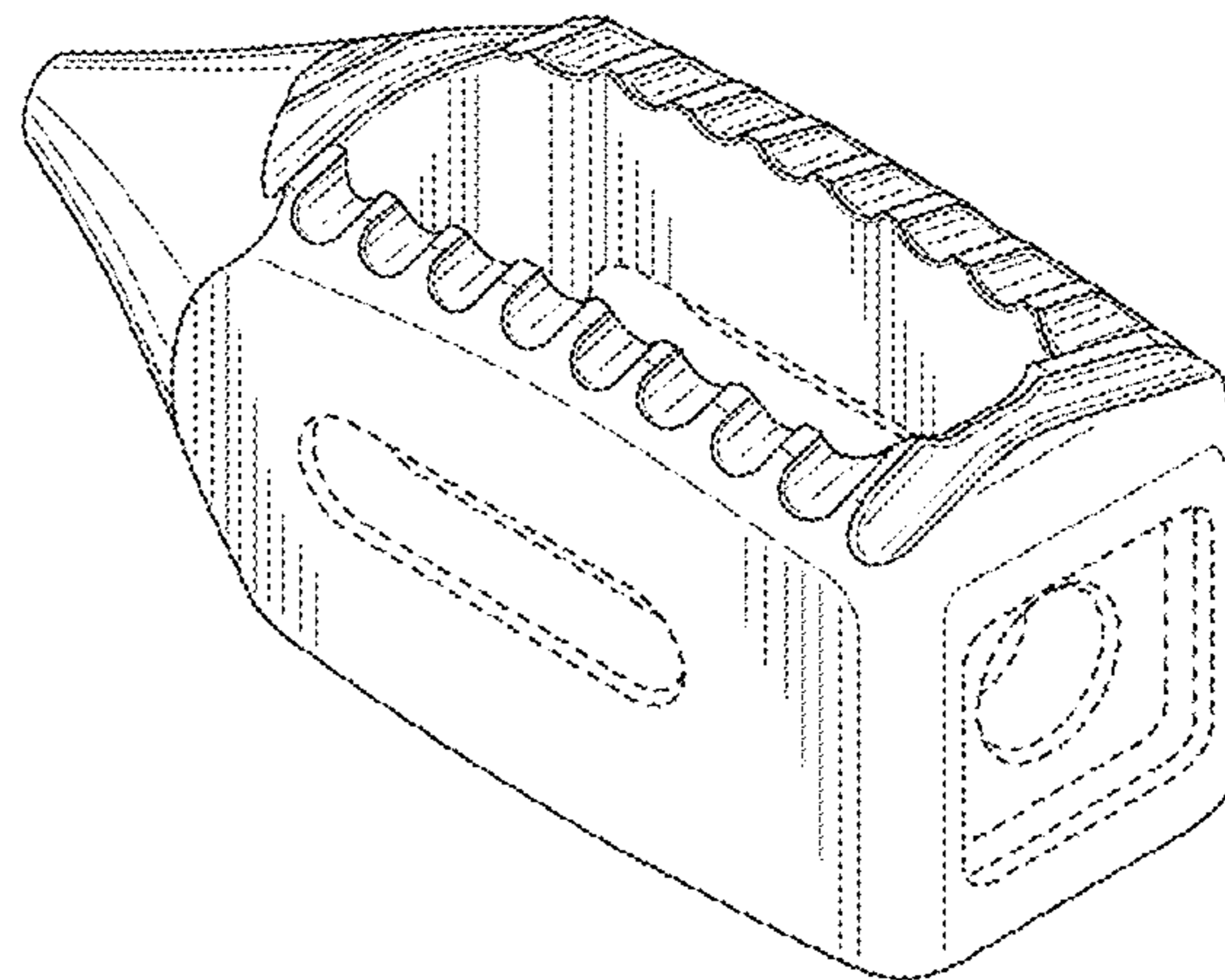
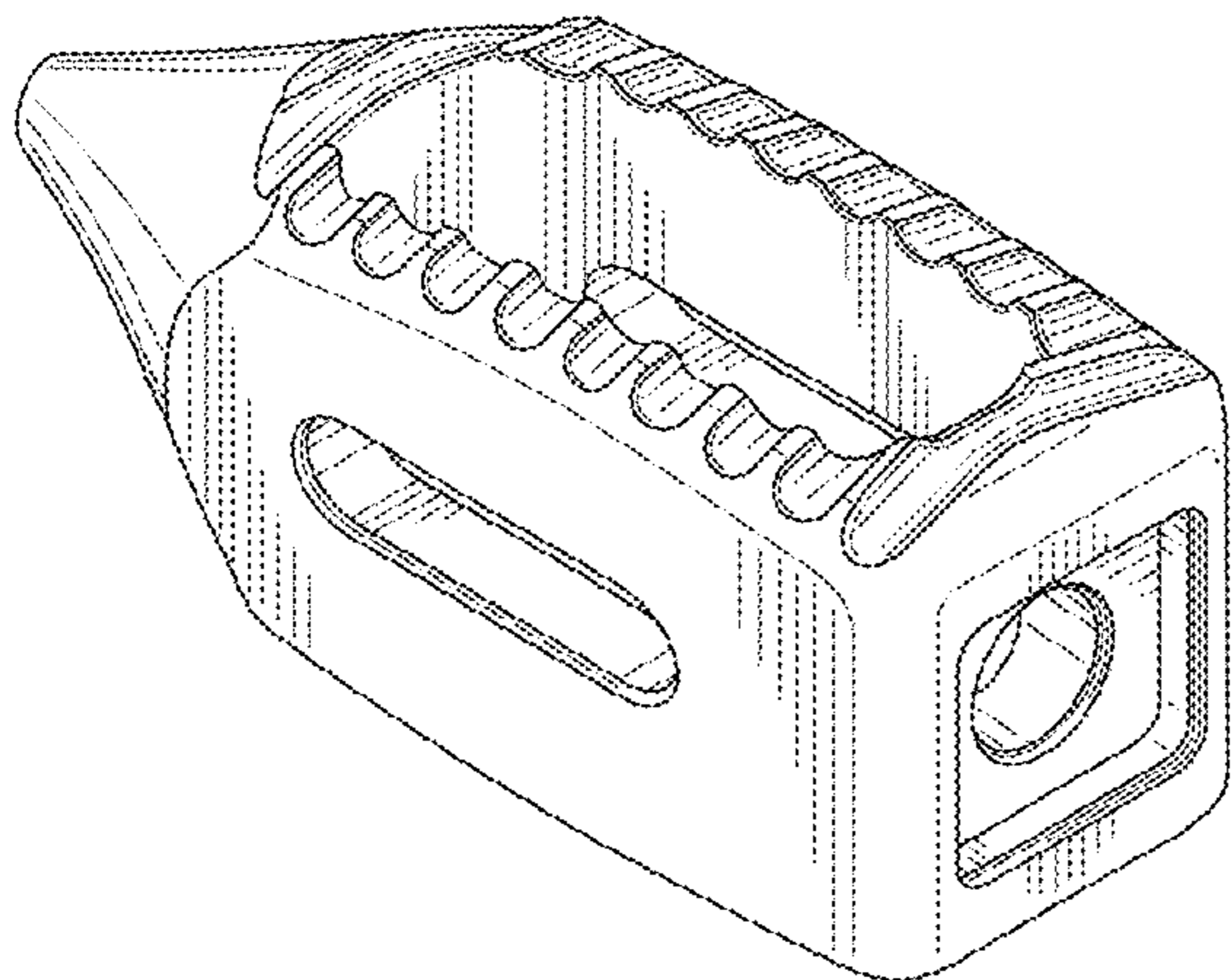
FIG. 11 is a left side view of the spinal fusion cage of FIG. 8.

FIG. 12 is a right side view of the spinal fusion cage of FIG. 8.

FIG. 13 is a front view of the spinal fusion cage of FIG. 8; and,

FIG. 14 is a rear view of the spinal fusion cage of FIG. 8. The portions shown in dashed lines form no part of the claimed design.

1 Claim, 14 Drawing Sheets



(58) **Field of Classification Search**
 CPC A61F 2/4611; A61F 2/442; A61F 2/447;
 A61F 2220/0025; A61F 2310/00023;
 A61F 2310/00017; A61F 2002/4475;
 A61F 2002/30841; A61F 2002/2835;
 A61F 2002/30904; A61F 2002/30785;
 A61F 2002/443; A61F 2002/30578
 See application file for complete search history.

(56) **References Cited**

U.S. PATENT DOCUMENTS

7,105,023 B2 9/2006 Eckman
 7,175,667 B2 2/2007 Saunders et al.
 D552,734 S 10/2007 Eckman
 7,534,267 B2 5/2009 Eckman
 7,674,295 B2 3/2010 Eckman
 D619,719 S 7/2010 Pannu
 D620,110 S * 7/2010 Courtney D24/155
 D620,112 S * 7/2010 Courtney D24/155
 D620,113 S * 7/2010 Courtney D24/155
 D627,468 S 11/2010 Richter et al.
 7,850,734 B2 12/2010 Oh et al.
 D630,749 S * 1/2011 Tornier D24/155
 7,867,277 B1 1/2011 Tohmeh
 7,938,857 B2 5/2011 Garcia-Bengochea et al.
 8,002,831 B2 8/2011 Burd et al.
 8,025,697 B2 9/2011 McClellan, III et al.
 8,062,374 B2 11/2011 Markworth et al.
 D653,757 S * 2/2012 Binder A61F 2/446
 D24/155
 8,137,402 B2 3/2012 Eckman
 8,147,554 B2 4/2012 Hansell et al.
 8,167,886 B2 5/2012 Eckman
 D665,081 S * 8/2012 Hansell A61F 2/4465
 D24/155
 8,273,128 B2 9/2012 Oh et al.
 D675,736 S 2/2013 Garza-Vale et al.
 8,414,654 B1 4/2013 Ganey
 8,425,610 B2 4/2013 Guyer et al.
 8,496,709 B2 7/2013 Schell et al.
 8,568,416 B2 10/2013 Schmitz et al.
 8,613,745 B2 12/2013 Bleich
 8,617,163 B2 12/2013 Bleich
 8,663,331 B2 3/2014 McClellan, III et al.
 8,679,189 B1 3/2014 Ganey et al.
 8,685,096 B2 4/2014 Davenport
 8,709,087 B2 4/2014 Cragg
 8,747,473 B2 6/2014 Burd et al.
 8,845,727 B2 9/2014 Gottlieb et al.
 8,864,839 B2 10/2014 Ganey
 8,870,957 B2 10/2014 Vraney et al.
 D718,860 S * 12/2014 Farris D24/155
 8,900,310 B2 * 12/2014 Carlson A61F 2/446
 623/17.16
 D722,695 S * 2/2015 Kaufmann D24/155
 8,979,927 B2 * 3/2015 Huntsman A61F 2/4455
 623/17.11
 8,992,622 B2 3/2015 Ullrich, Jr. et al.
 9,015,922 B2 4/2015 Ganey
 D731,063 S * 6/2015 Verhage D24/155
 D732,667 S 6/2015 McCormack et al.

D733,303 S * 6/2015 Peterson A61F 2/4465
 D24/155
 D737,446 S * 8/2015 Butler A61F 2/4455
 D24/155
 9,107,768 B2 8/2015 Schell et al.
 9,138,330 B2 9/2015 Hansell et al.
 D741,488 S * 10/2015 Tohmeh D24/155
 D745,156 S 12/2015 McCormack et al.
 9,198,774 B2 * 12/2015 Pisharodi A61F 2/447
 9,226,835 B2 1/2016 Schell et al.
 D750,249 S 2/2016 Grimberg, Jr. et al.
 9,265,622 B2 2/2016 Schell et al.
 9,289,312 B2 3/2016 Davenport et al.
 9,295,562 B2 * 3/2016 Lechmann A61F 2/3094
 D753,305 S * 4/2016 Butler A61F 2/4465
 D24/155
 9,320,610 B2 * 4/2016 Alheidt A61F 2/4611
 9,320,618 B2 4/2016 Schmitz et al.
 9,364,344 B2 6/2016 Whipple
 9,381,049 B2 7/2016 McCormack et al.
 9,445,914 B2 9/2016 Milz et al.
 9,566,170 B2 2/2017 Schell et al.
 2002/0169508 A1 * 11/2002 Songer A61B 17/70
 623/17.11
 2003/0023306 A1 * 1/2003 Liu A61F 2/447
 623/17.11
 2003/0105528 A1 * 6/2003 Shimp A61F 2/28
 623/17.16
 2003/0139812 A1 * 7/2003 Garcia A61B 17/025
 623/17.11
 2011/0144755 A1 6/2011 Baynham et al.
 2012/0065613 A1 3/2012 Pepper et al.
 2014/0100657 A1 4/2014 McCormack et al.
 2015/0005881 A1 1/2015 Connor et al.
 2015/0100129 A1 4/2015 Waugh et al.
 2015/0173917 A1 6/2015 Radcliffe et al.
 2016/0030188 A1 2/2016 Lynn et al.
 2016/0081814 A1 3/2016 Baynham
 2016/0113773 A1 4/2016 Ganem

FOREIGN PATENT DOCUMENTS

KR 30-0543254 4/2010
 WO WO2013/009462 A2 1/2013

OTHER PUBLICATIONS

Next Spine “Honour Orb Cervical Spacer System” downloaded from the internet on Oct. 20, 2017 at <http://www.nexxtspine.com/products/honour-orb-cervical-spacer-system>.
 Next Spine “Honour tPLIF Spacer System” downloaded from the internet on Oct. 20, 2017 at http://www.nexxtspine.com/gallery/honour_tplif/new/169.
 Next Spine “Honour TLIF Spacer System” downloaded from the internet on Oct. 20, 2017 at <http://www.nexxtspine.com/products/Honour-TLIF-Spacer-System>.
 Next Spine “Honour Allo-C Allograft System” downloaded from the internet on Oct. 20, 2017 at <http://www.nexxtspine.com/products/honour-allo-c-allgraft-system>.
 Notice of Allowance received for Japanese Design Application No. 2017-28954, Dated Apr. 20, 2018.

* cited by examiner

Fig. 1

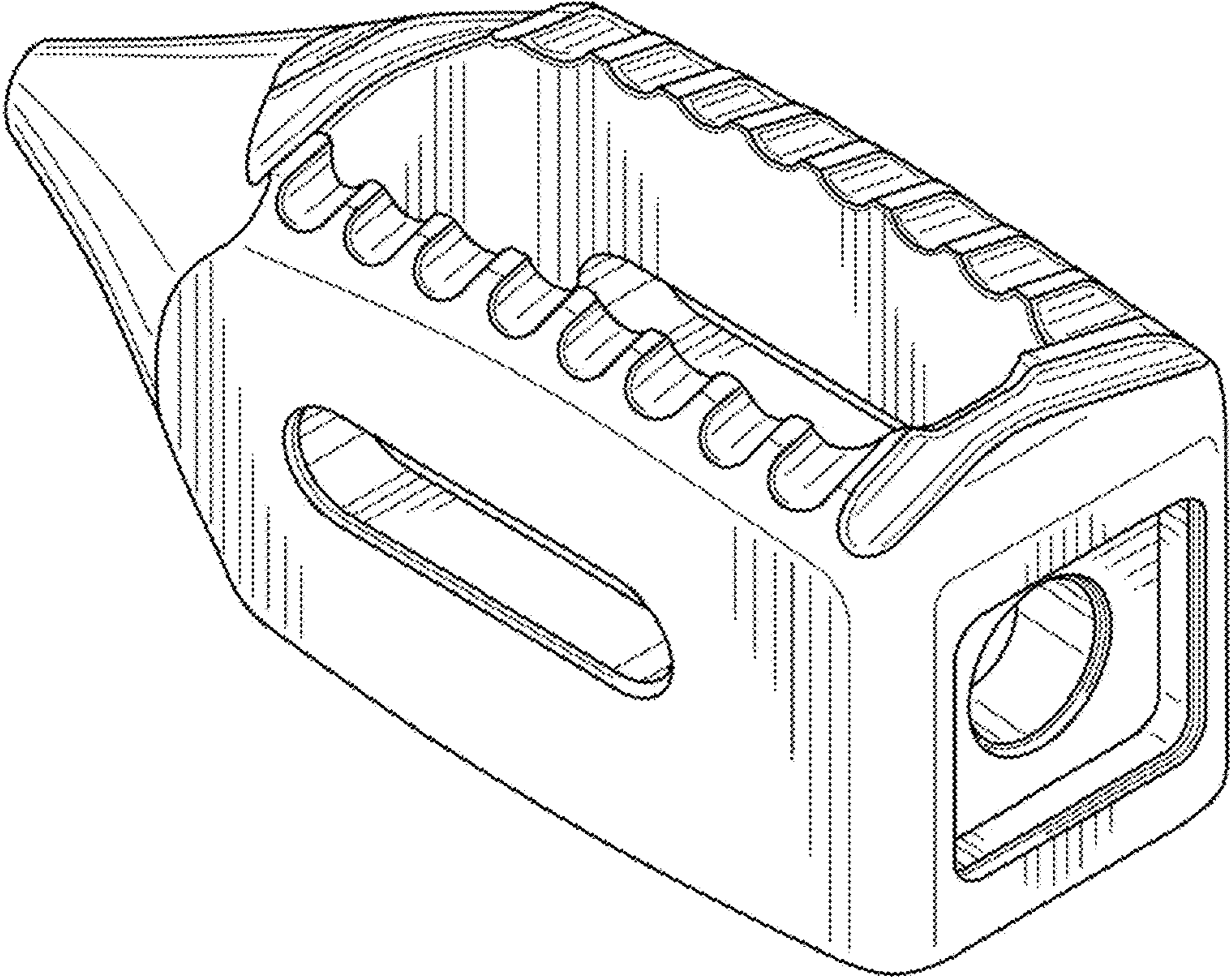


Fig. 2

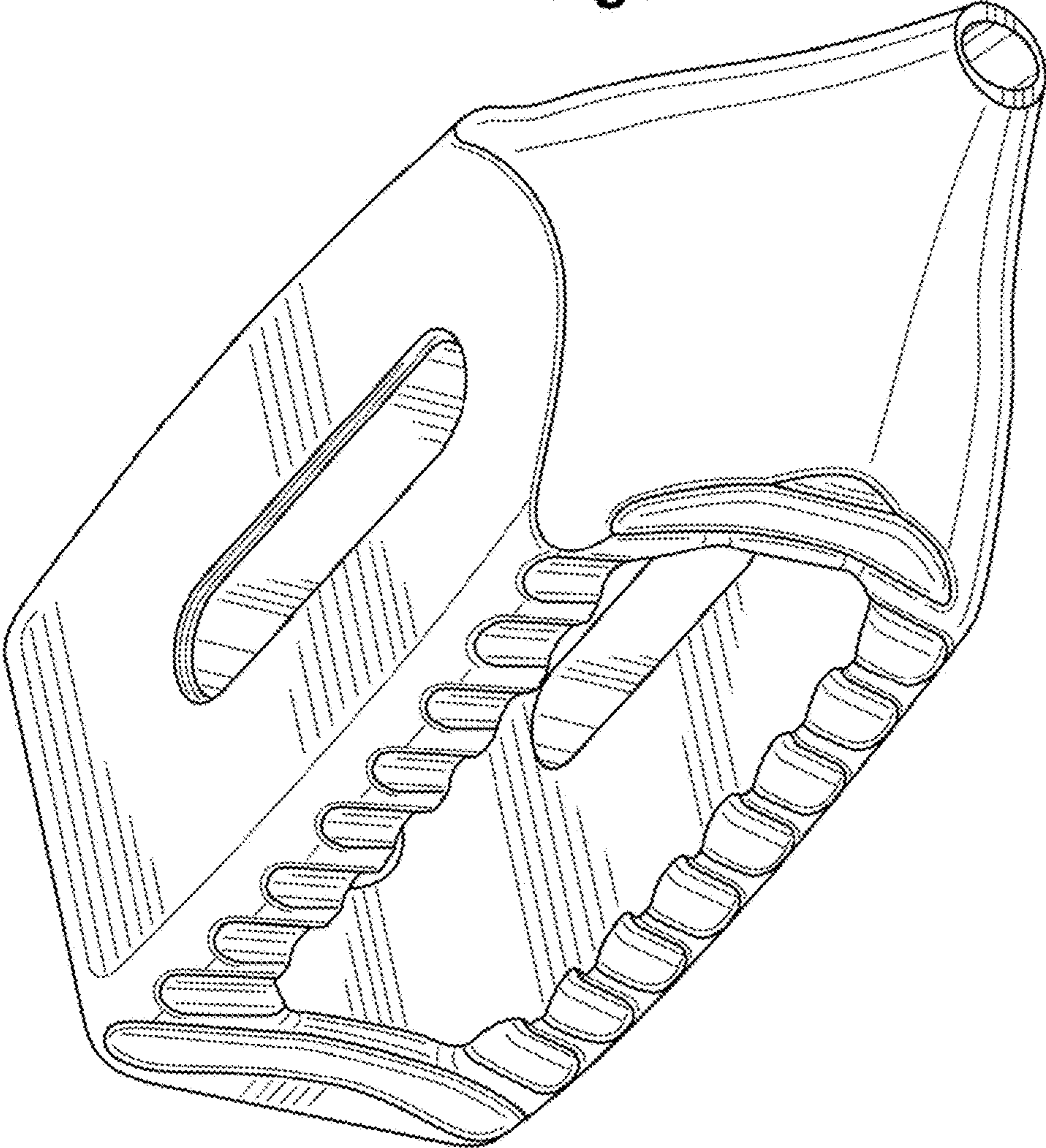


Fig. 3

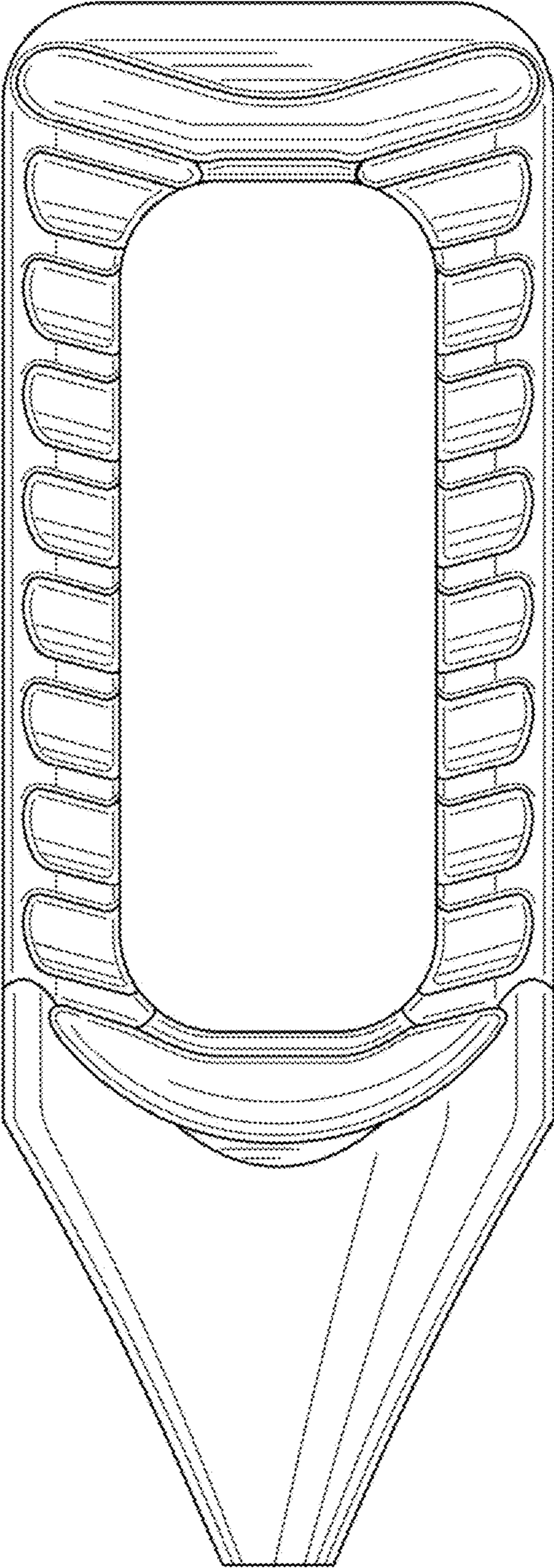


Fig. 4

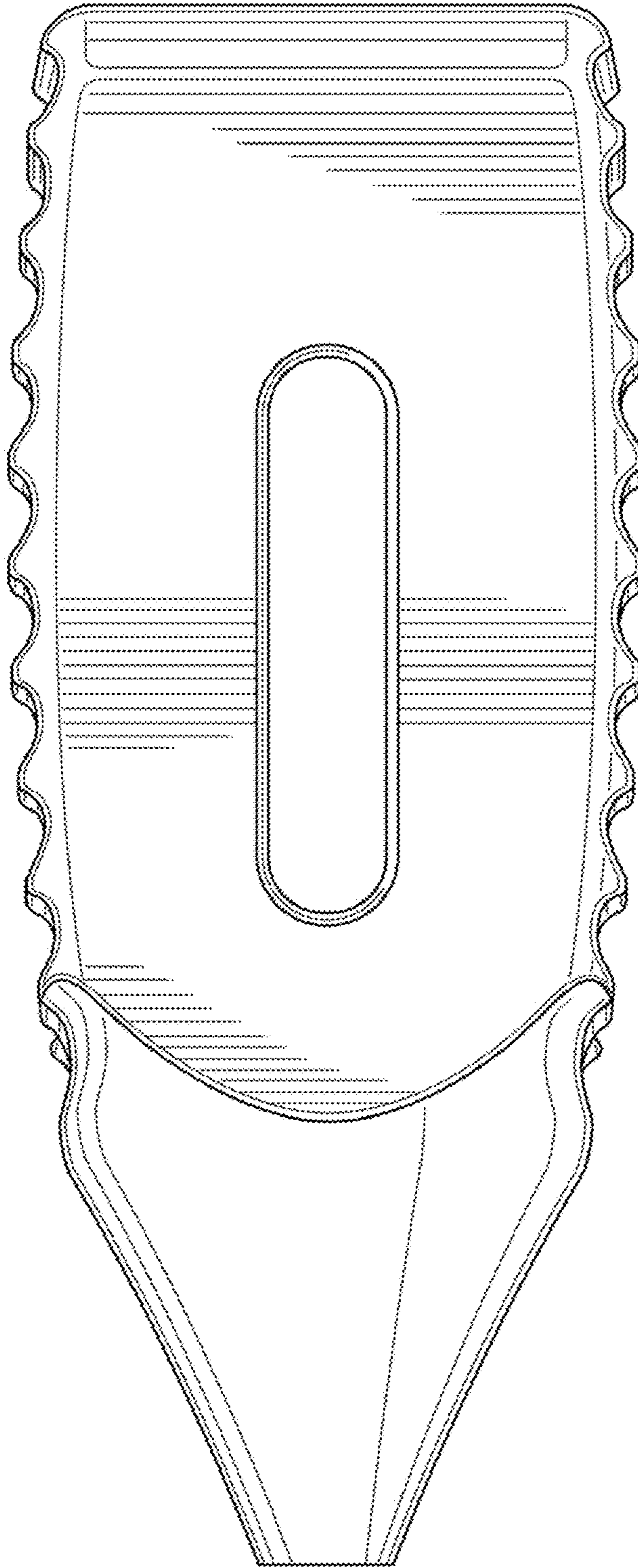


Fig. 5

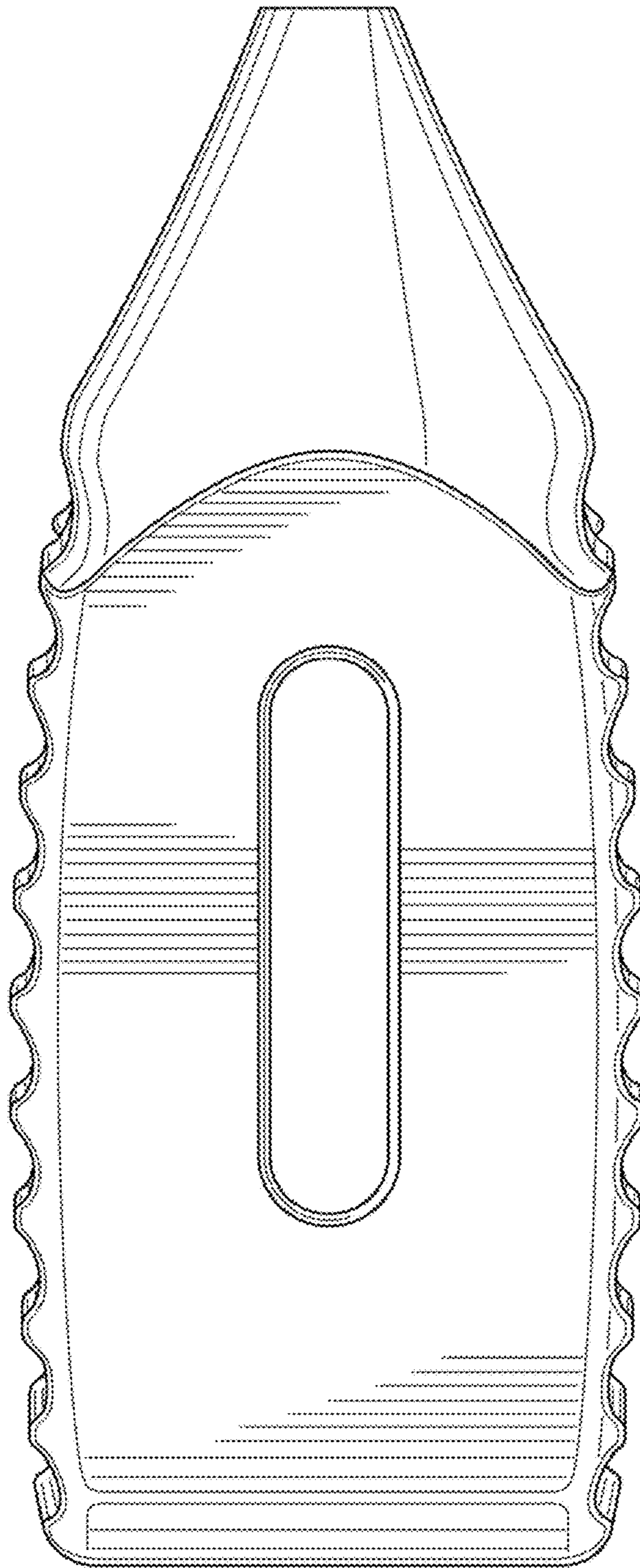


Fig. 6

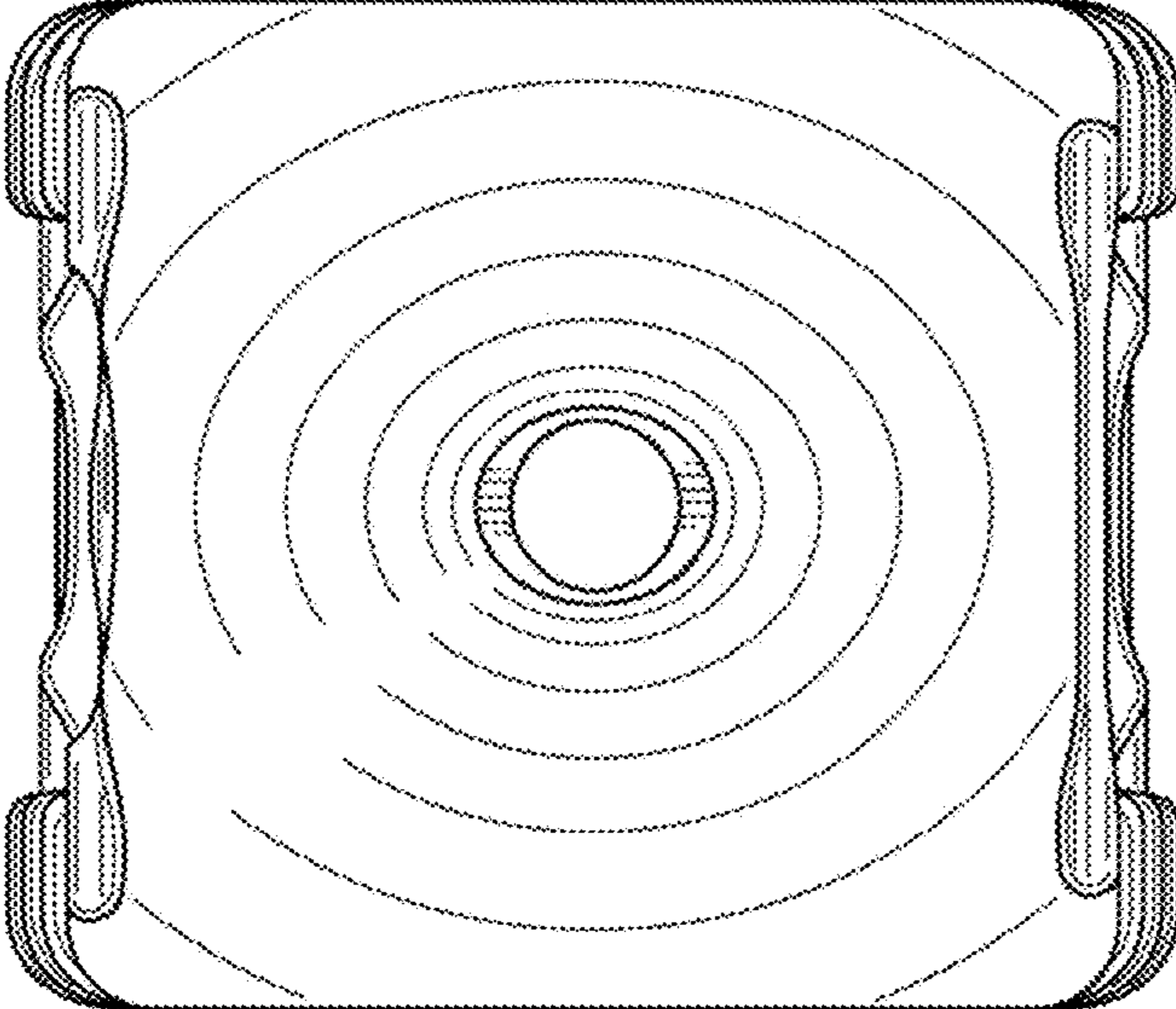


Fig. 7

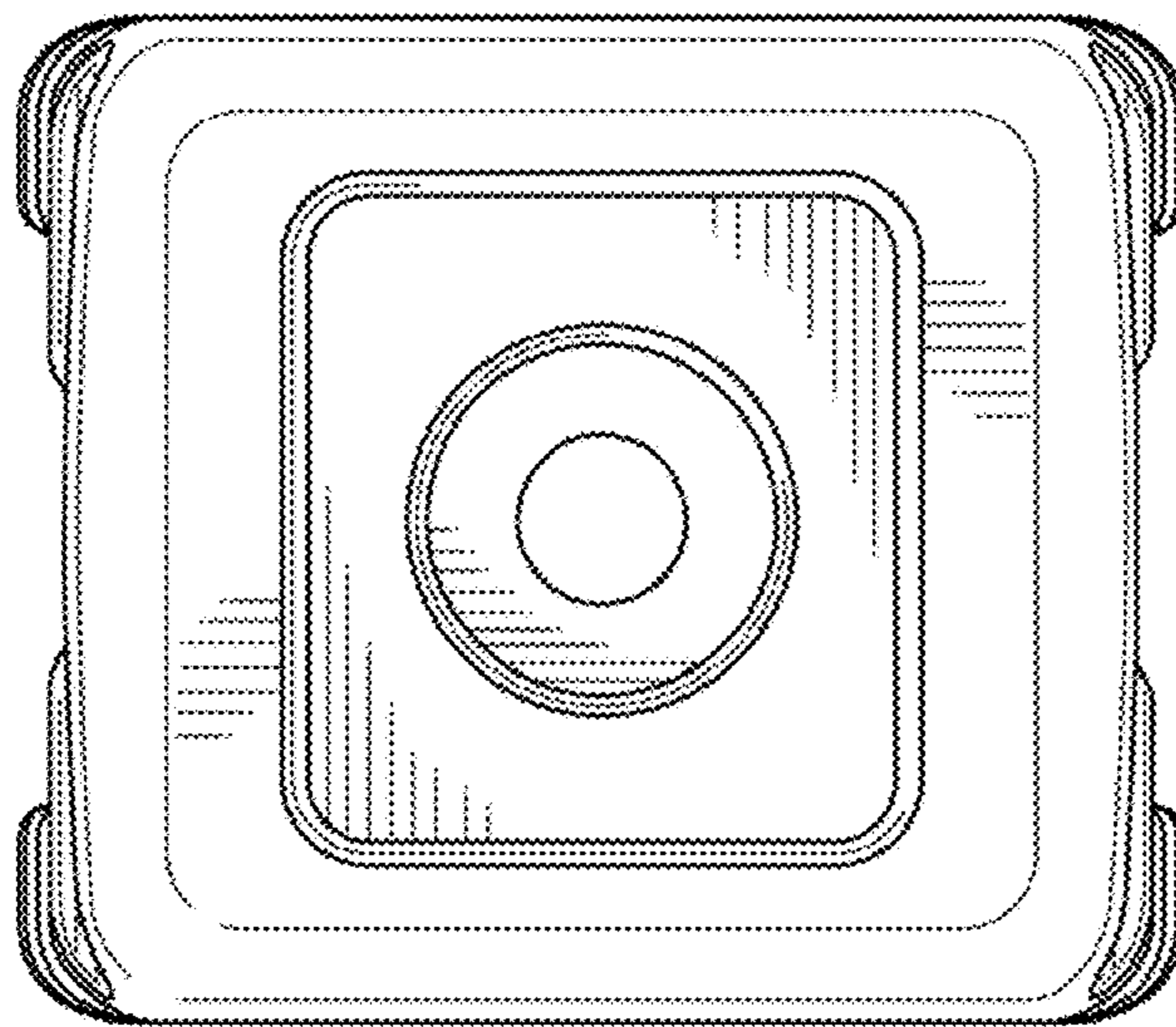


Fig. 8

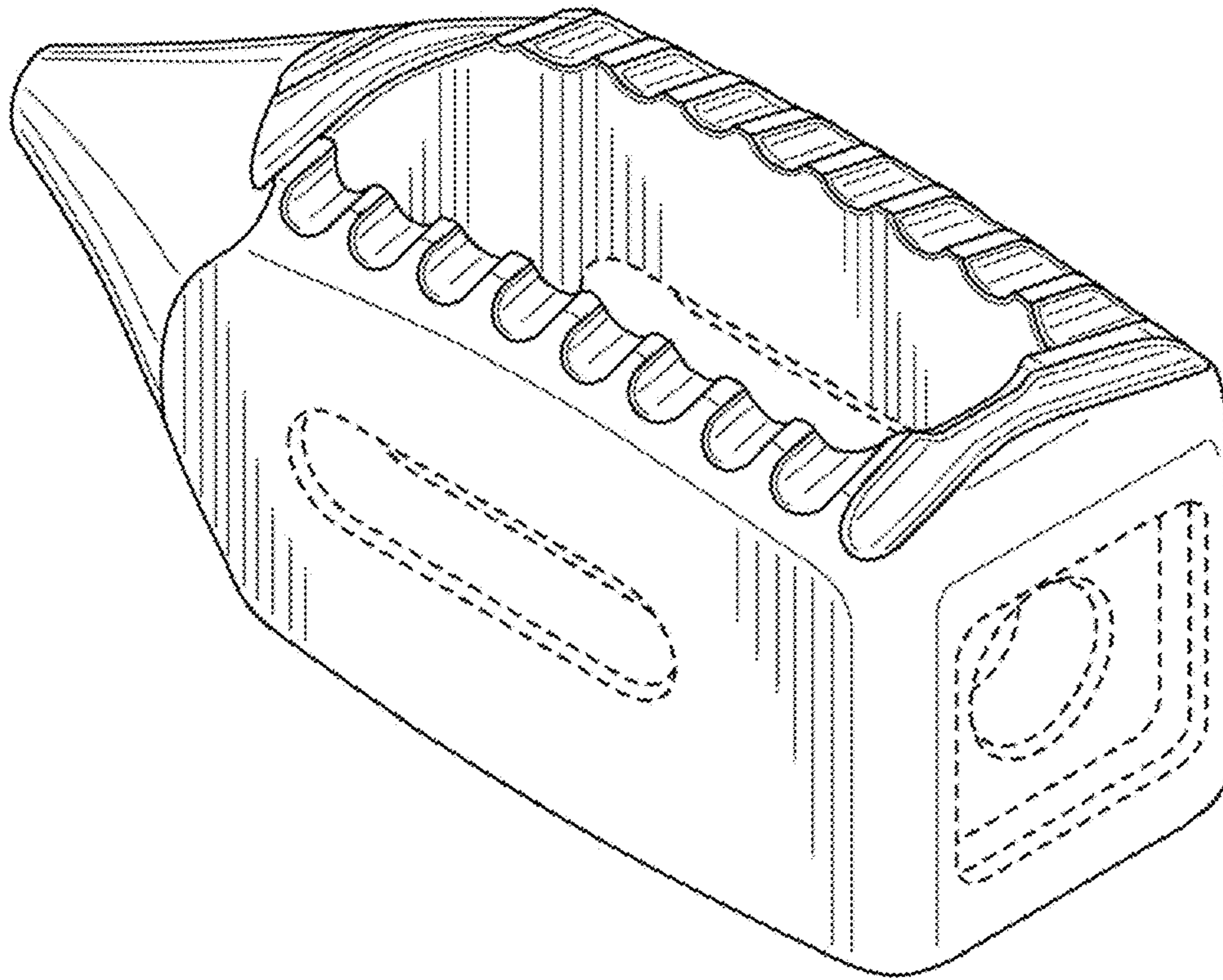


Fig. 9

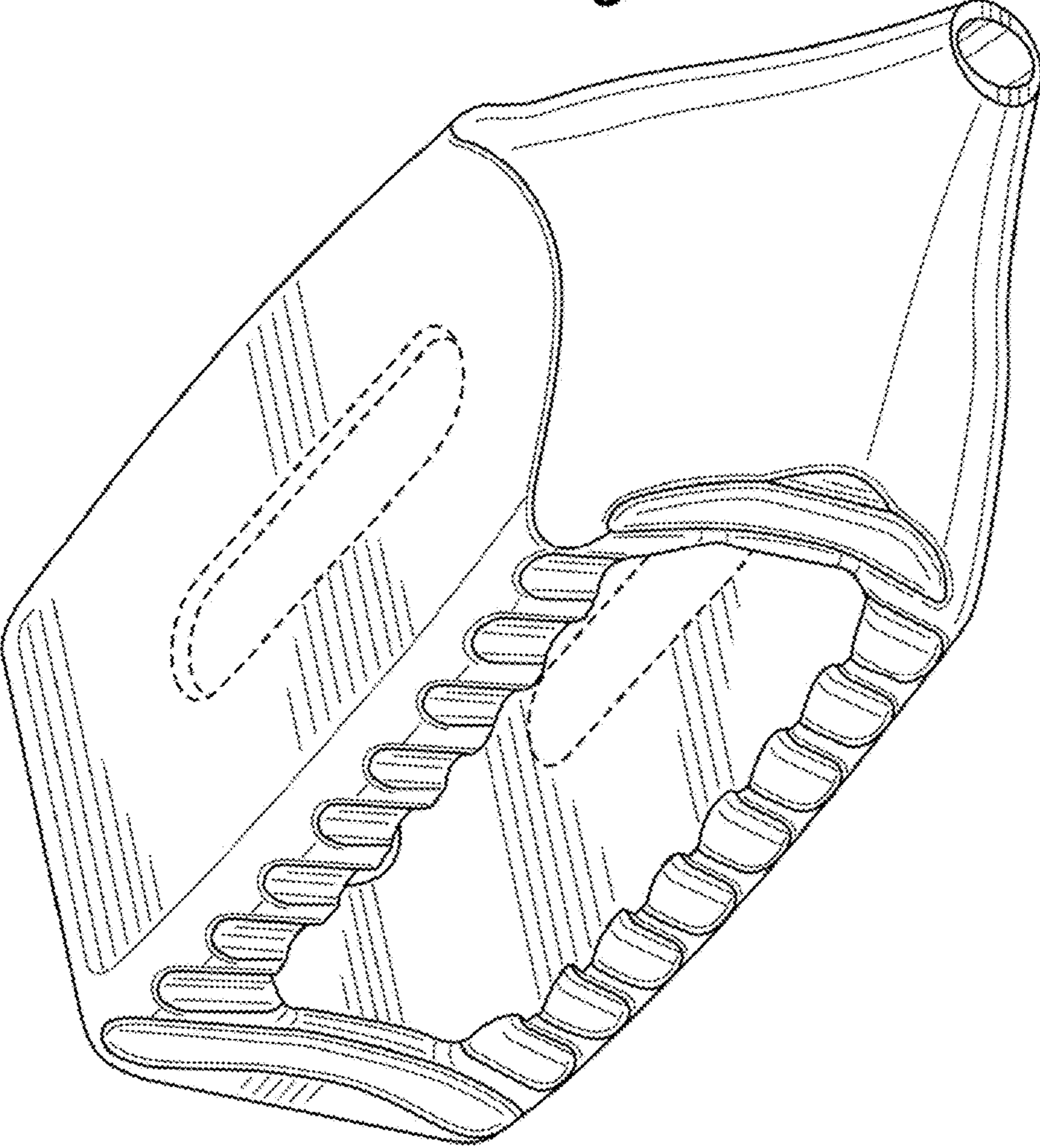


Fig. 10

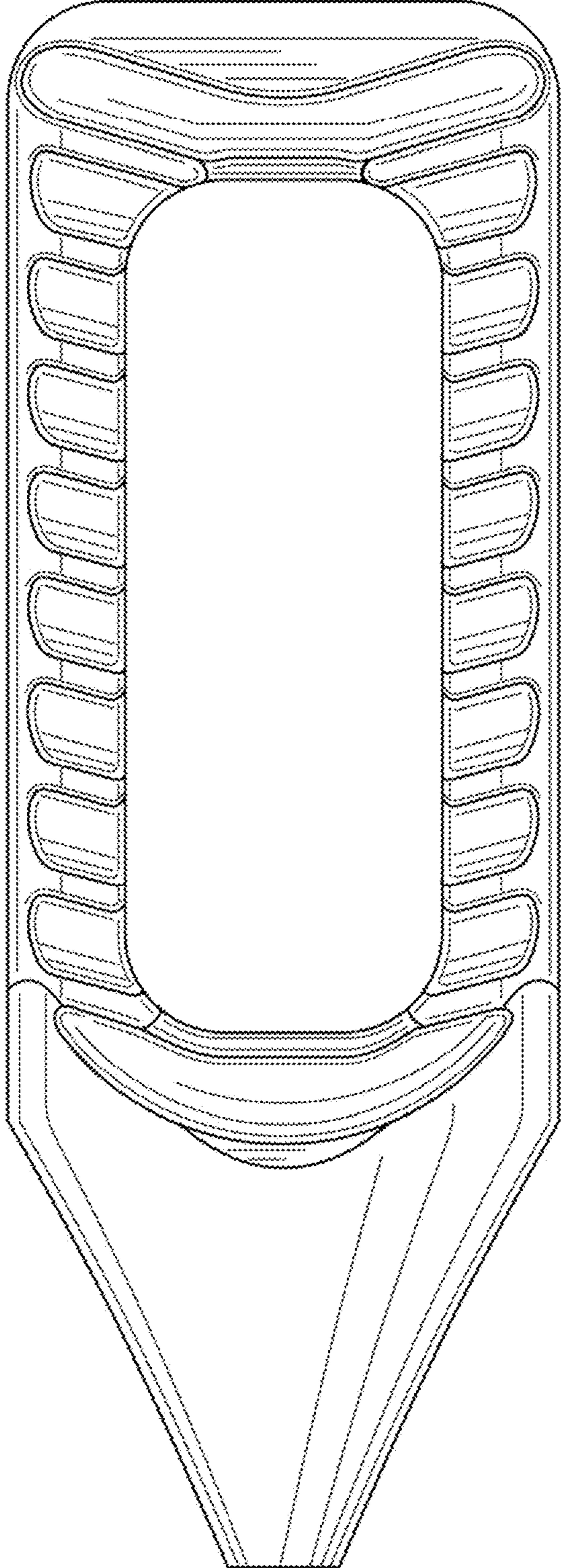


Fig. 11

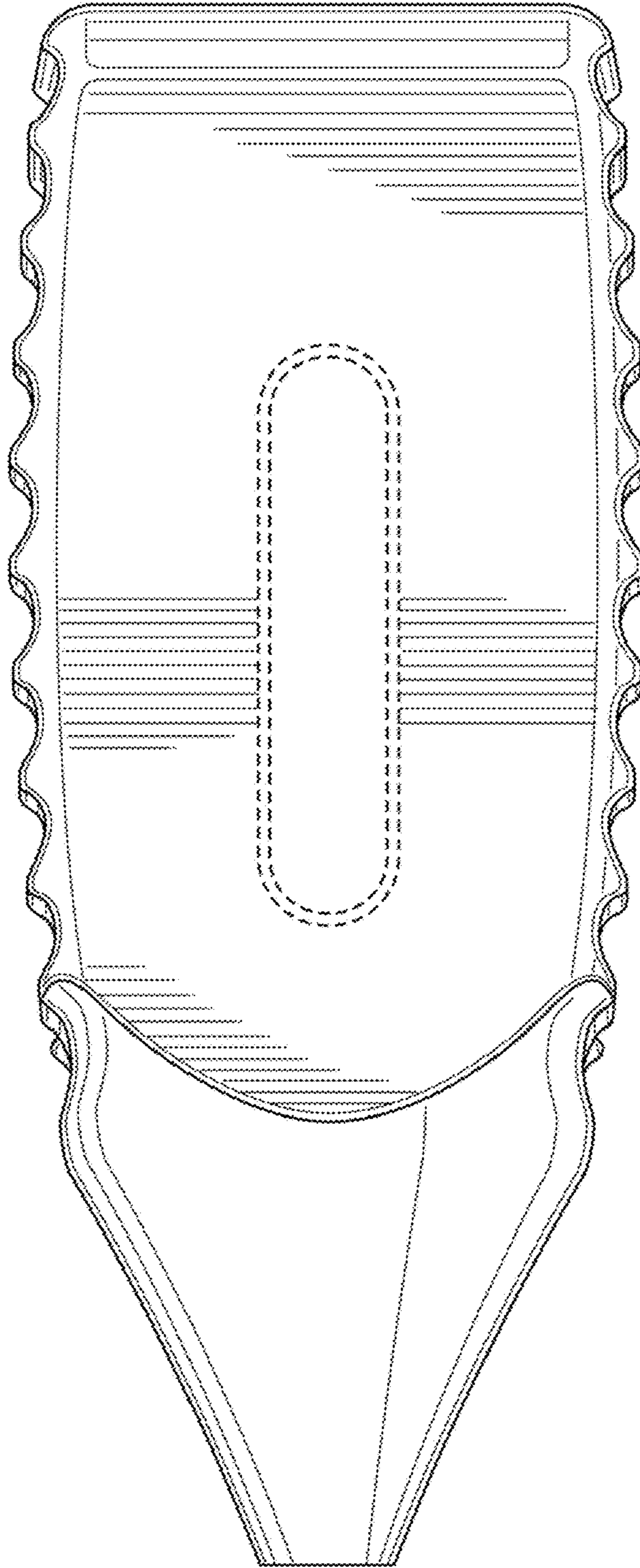


Fig. 12

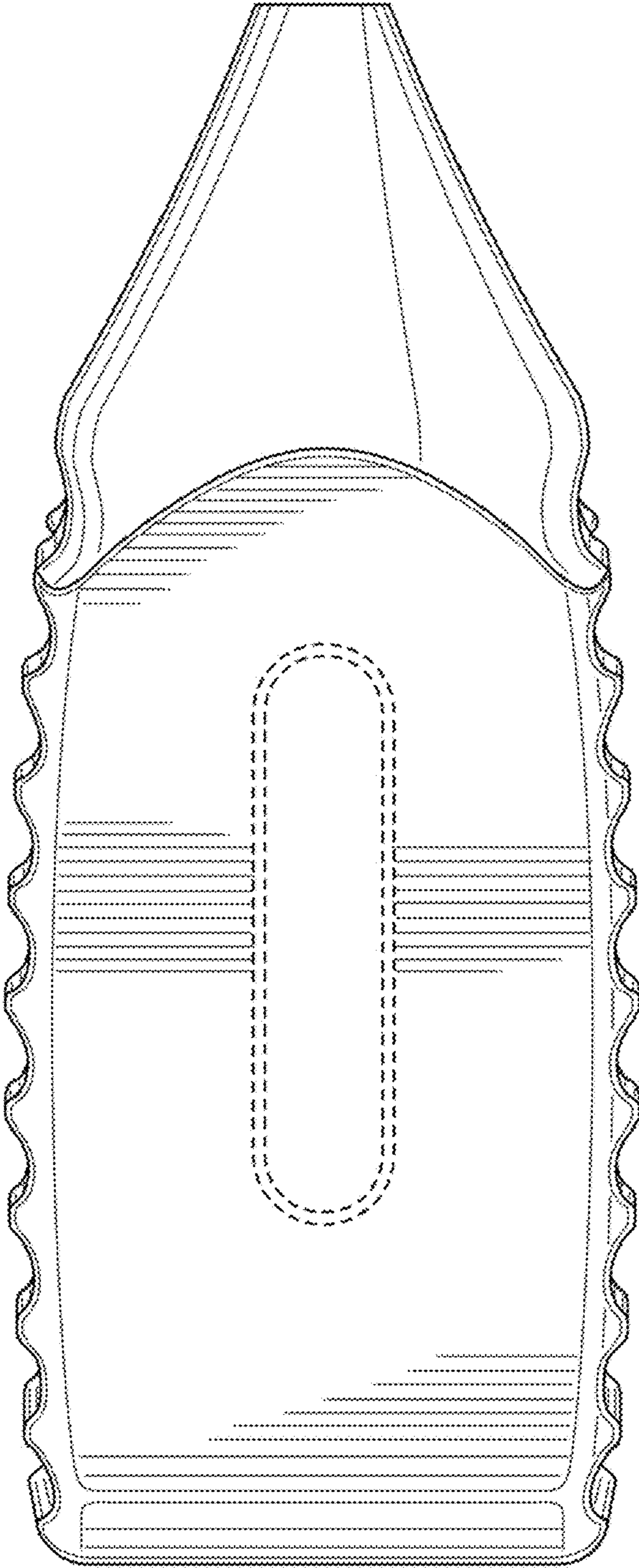


Fig. 13

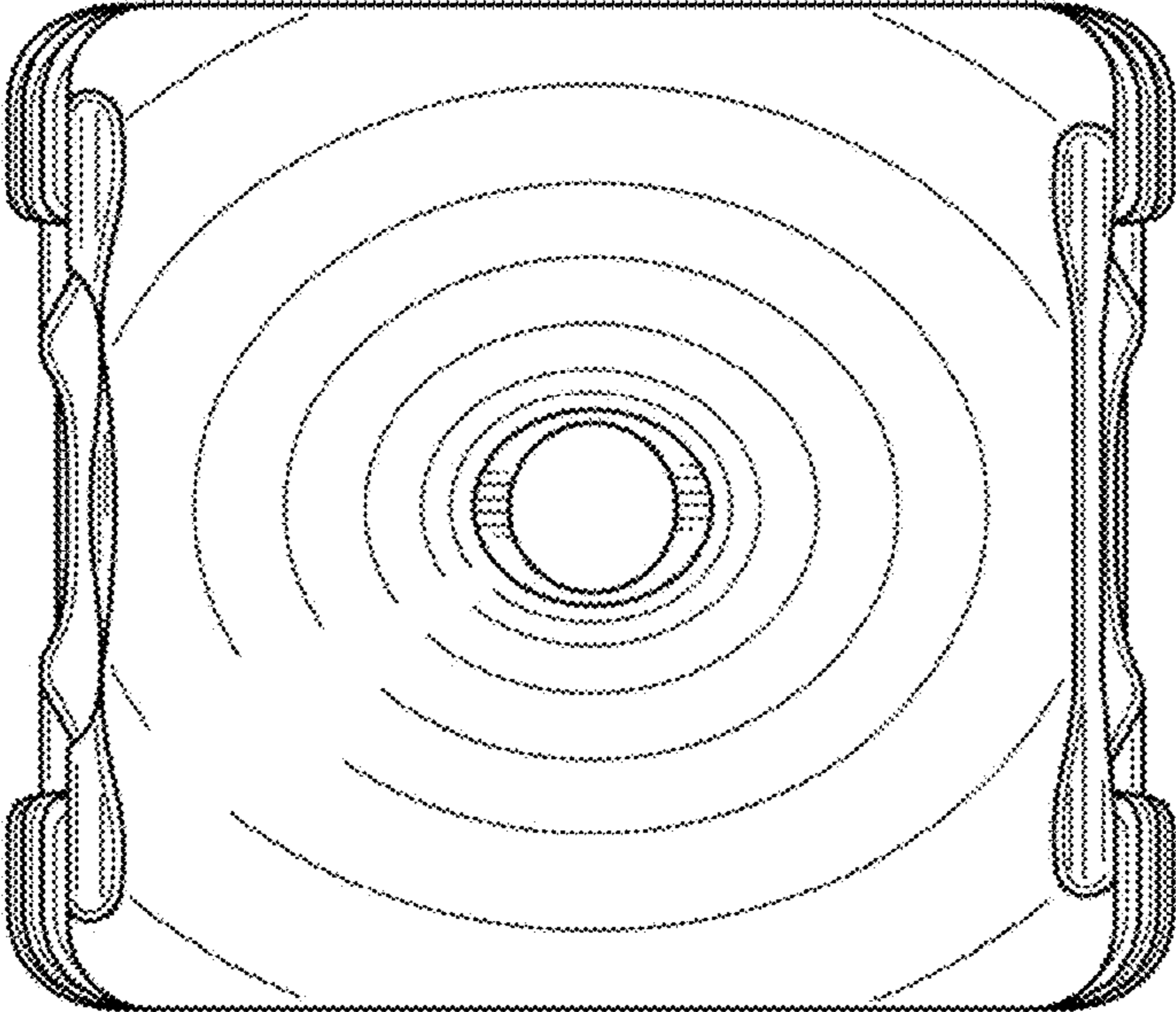


Fig. 14

