

US00D847333S

(12) **United States Design Patent** (10) **Patent No.:** **US D847,333 S**  
**Theobald et al.** (45) **Date of Patent:** **\*\* Apr. 30, 2019**

(54) **SURGICAL INSTRUMENT**  
(71) Applicant: **Exactech, Inc.**, Gainesville, FL (US)  
(72) Inventors: **Morganne Theobald**, Gainesville, FL (US); **C. Michael Mauldin**, Lake City, FL (US); **Bo Gao**, Gainesville, FL (US)  
(73) Assignee: **Exactech, Inc.**, Gainesville, FL (US)  
(\*\*) Term: **15 Years**

D697,782 S \* 1/2014 Lee ..... D8/107  
D776,259 S \* 1/2017 Eldredge ..... D24/112  
D776,260 S \* 1/2017 Eldredge ..... D24/112  
D788,909 S \* 6/2017 Ratjen ..... D24/113

**FOREIGN PATENT DOCUMENTS**

CN 304500521 \* 2/2018  
CN 304515748 \* 2/2018  
CN 304666563 \* 6/2018

**OTHER PUBLICATIONS**

Kershaw. Link: <https://kershaw.kaiusaltd.com/knives/knife/camp-10>. Visited Sep. 24, 2018. Camp 10 knife. (Year: 2018).\*

\* cited by examiner

*Primary Examiner* — Bridget L Eland  
*Assistant Examiner* — Lauren D McVey  
(74) *Attorney, Agent, or Firm* — Greenberg Traurig, LLP

(21) Appl. No.: **29/604,808**  
(22) Filed: **May 19, 2017**  
(51) **LOC (11) Cl.** ..... **24-02**  
(52) **U.S. Cl.**  
USPC ..... **D24/133**  
(58) **Field of Classification Search**  
USPC ..... D24/133, 138, 137, 135, 140, 147;  
D8/303, 313, 107, 82  
CPC ..... A61F 2002/9517; A61F 2002/9522; A61F  
2002/9528; A61F 2002/9534; A61F  
2002/9665; A61B 1/267; A61B 1/2673;  
A61B 1/2676; A61B 1/00; A61B  
1/00052; A61B 1/00066; A61B 5/0077;  
A61B 19/5223; A61B 19/5225; A61B  
1/04; A61B 8/5215; A61B 17/16; A61B  
17/3468; G02B 23/24  
See application file for complete search history.

(57) **CLAIM**

The ornamental design for a surgical instrument, as shown and described.

**DESCRIPTION**

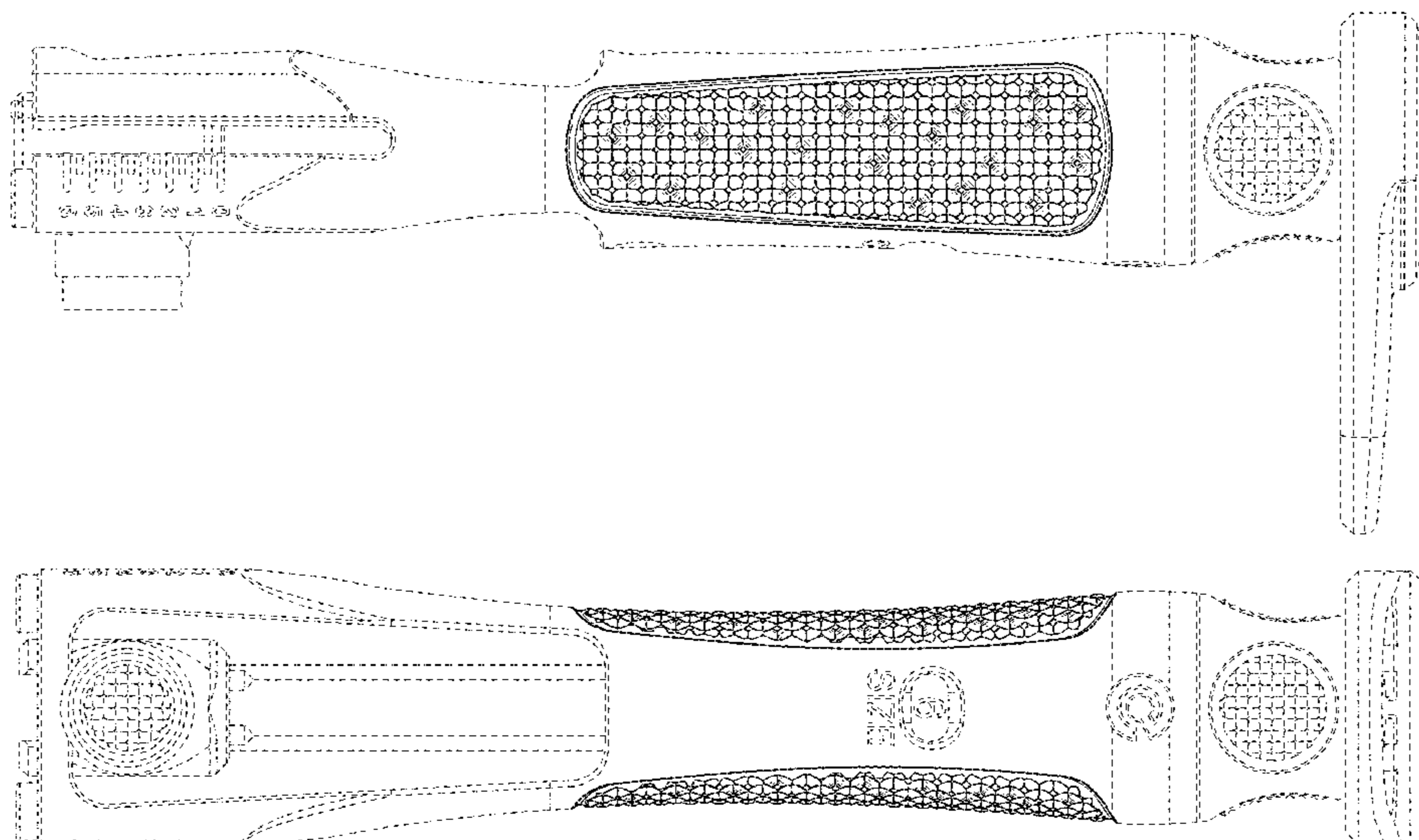
FIG. 1 is a perspective view of a surgical instrument showing my new design;  
FIG. 2 is a front elevation view thereof;  
FIG. 3 is a rear elevation view thereof;  
FIG. 4 is a left side elevation view thereof;  
FIG. 5 is a right side elevation view thereof;  
FIG. 6 is a top plan view thereof; and,  
FIG. 7 is a bottom plan view thereof.  
The broken lines are directed to environment and are for illustrative purposes only; the broken lines form no part of the claimed design. In addition, the unshaded surface that directly adjoins the claimed solid line edge forms no part for the claimed design.

(56) **References Cited**

**U.S. PATENT DOCUMENTS**

D152,155 S \* 12/1948 Jacoff ..... D8/82  
D439,978 S \* 4/2001 Ark ..... D24/140  
D450,835 S \* 11/2001 Liu ..... D24/112  
D518,175 S \* 3/2006 Hardin, Jr. .... D24/133  
D530,587 S \* 10/2006 Saunders ..... D8/107  
D589,322 S \* 3/2009 Demers ..... D8/107  
D617,169 S \* 6/2010 Robinson ..... D8/107  
D633,035 S \* 2/2011 Heine ..... D13/103  
D648,851 S \* 11/2011 Copeland ..... D24/112

**1 Claim, 5 Drawing Sheets**



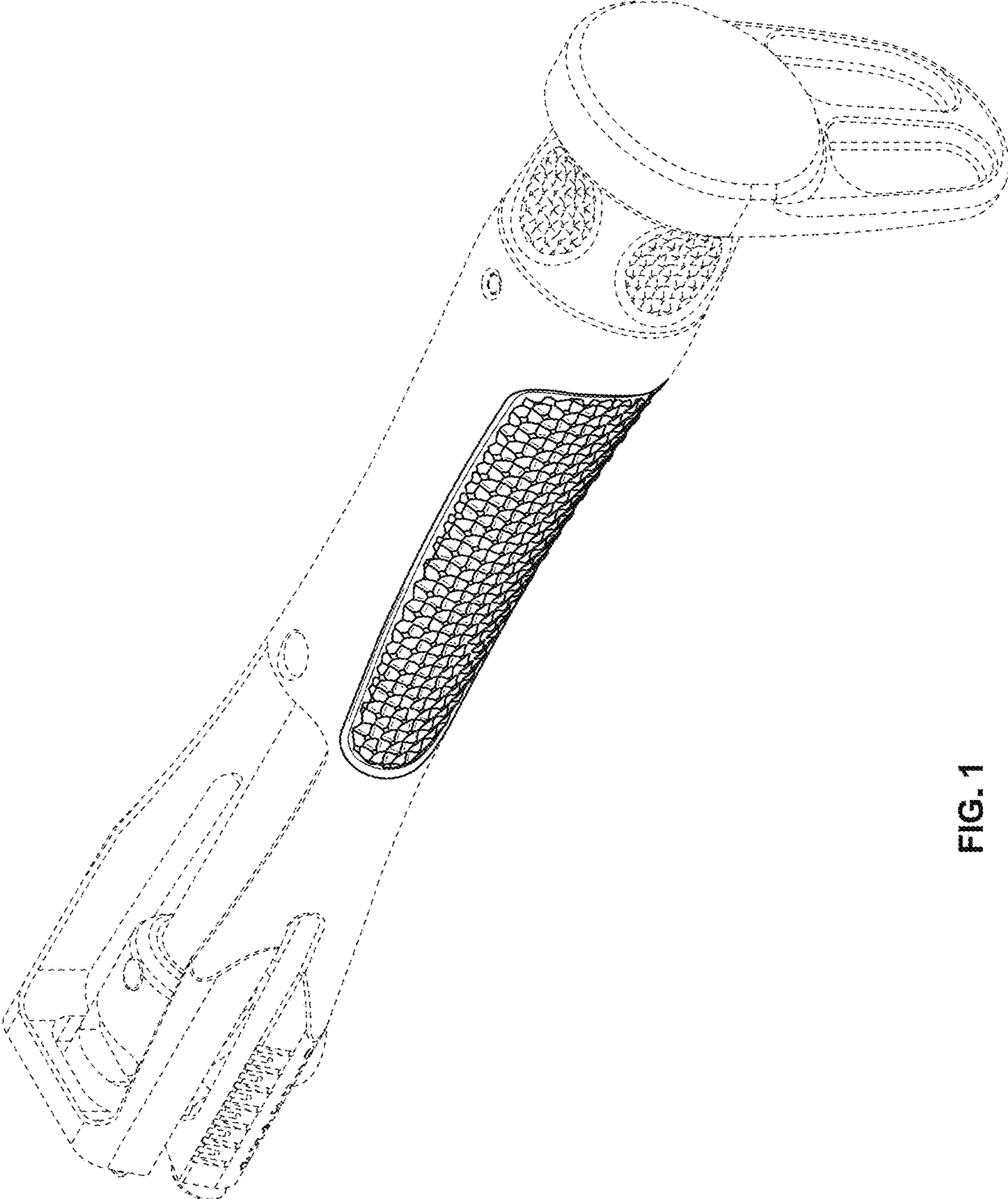


FIG. 1

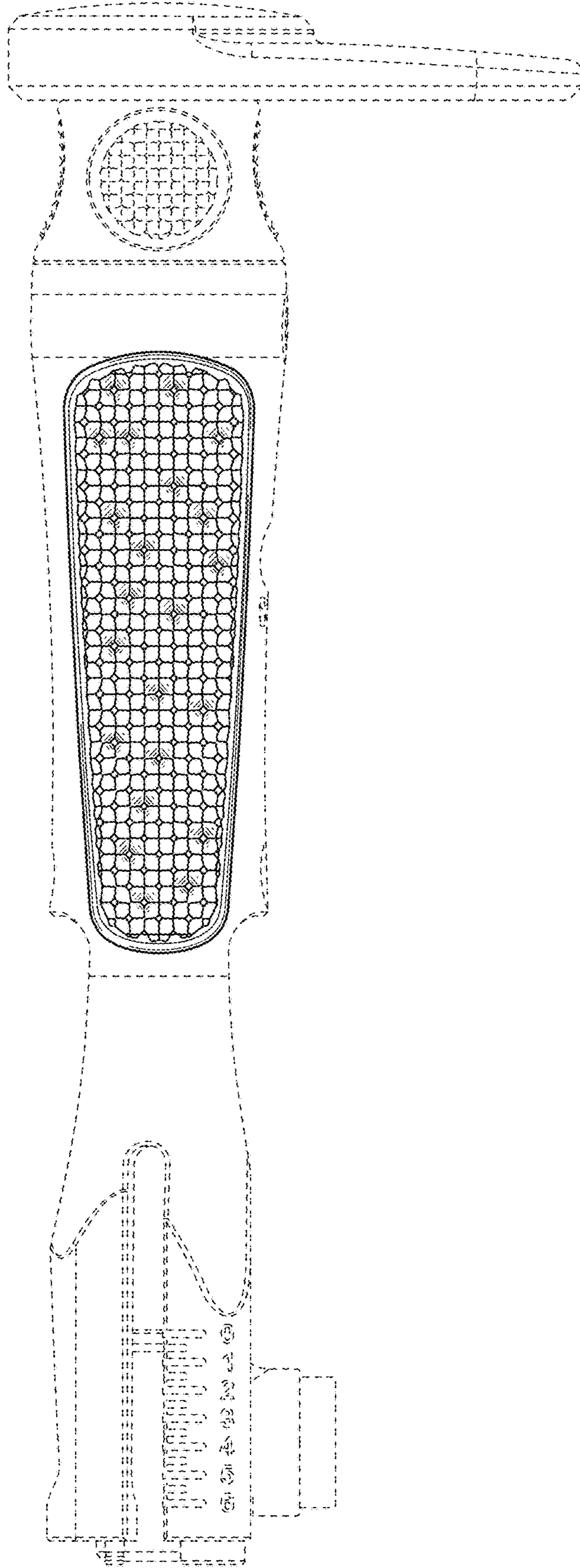


FIG. 2



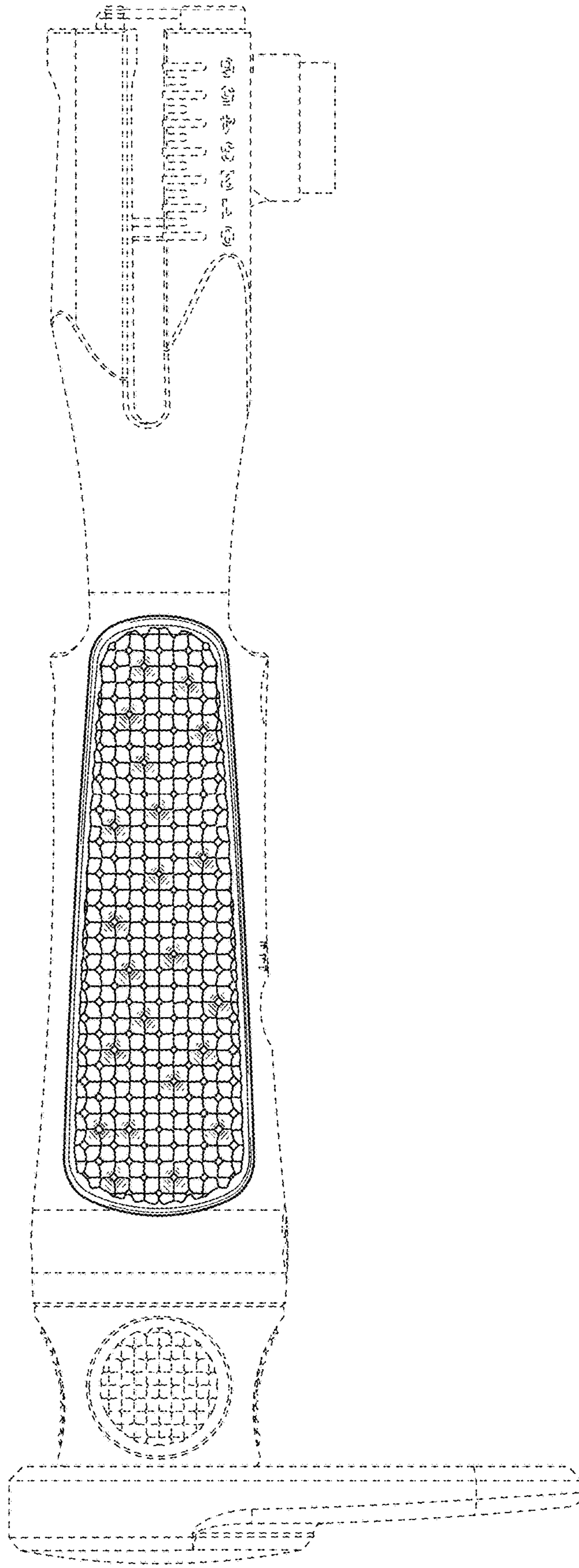


FIG. 3

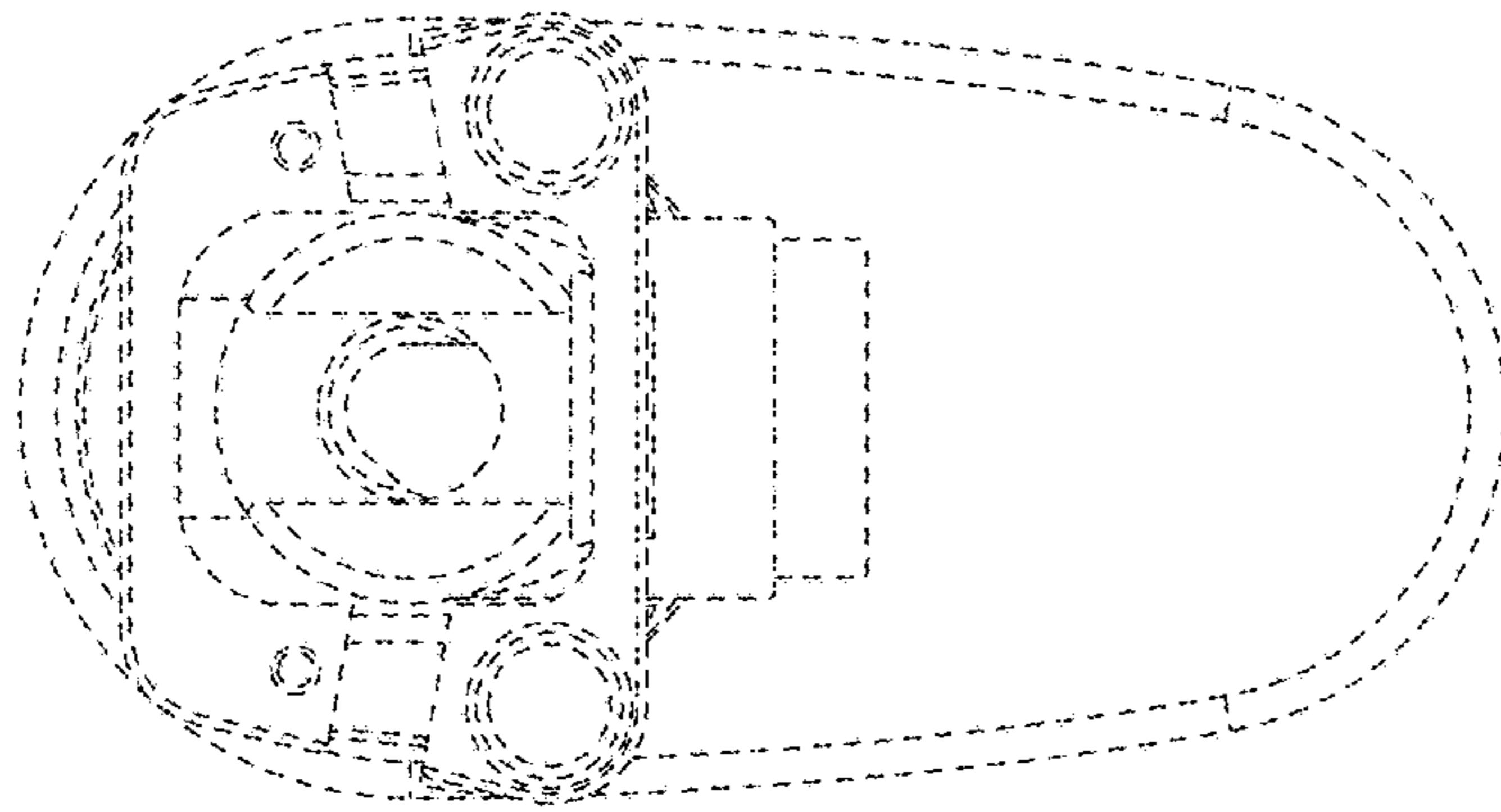


FIG. 5

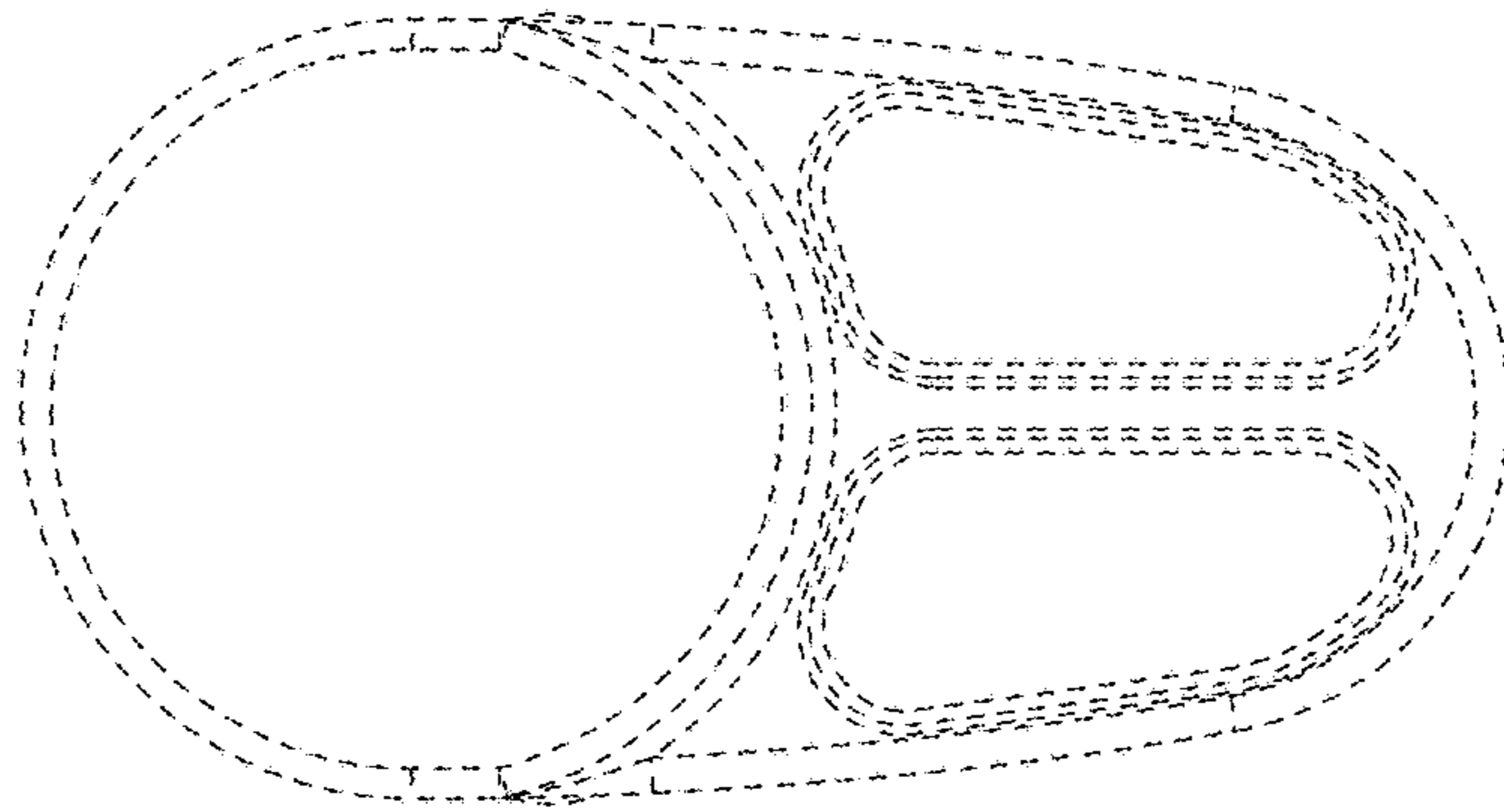


FIG. 4

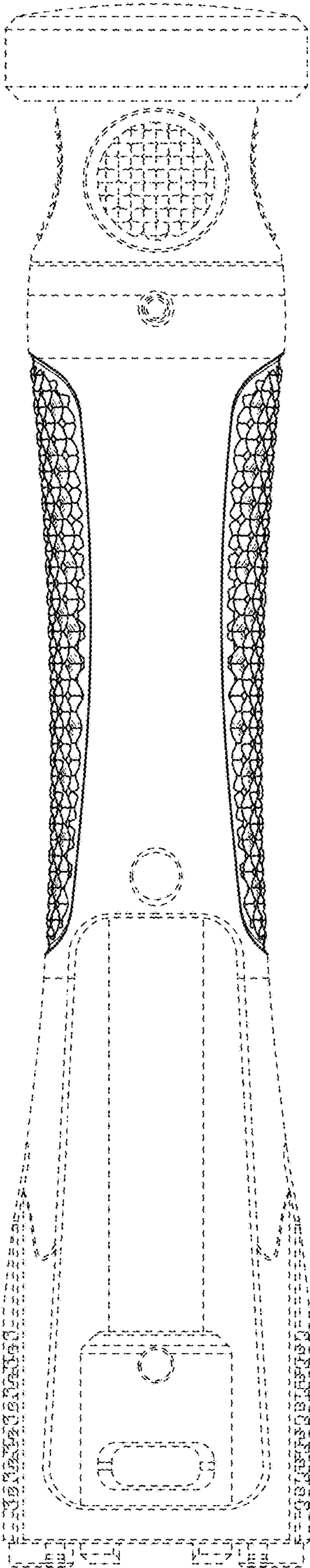


FIG. 6

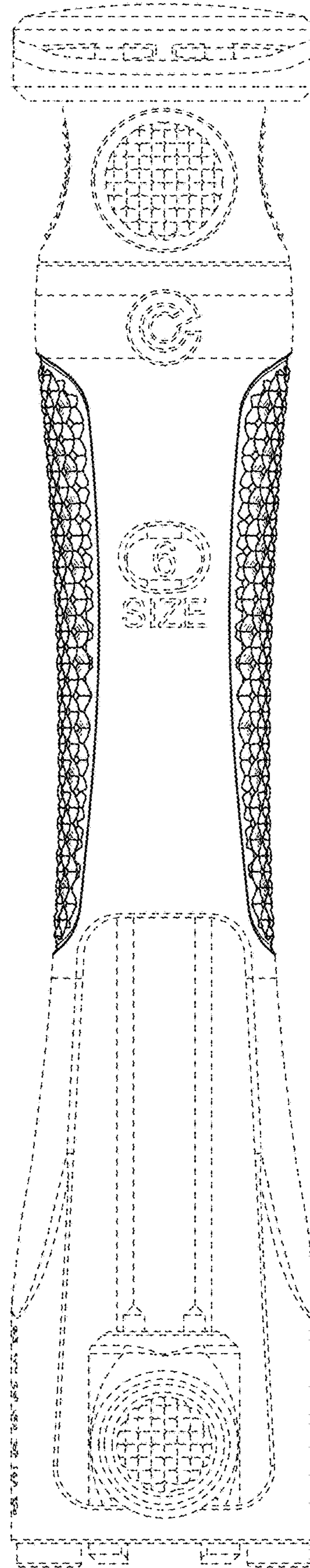


FIG. 7