



US00D847328S

(12) **United States Design Patent** (10) **Patent No.:** **US D847,328 S**
Kriesel et al. (45) **Date of Patent:** **** Apr. 30, 2019**

(54) **TWO PART REUSABLE DISPENSER** 8,029,468 B2 * 10/2011 Kriesel A61M 5/1408
604/131
(71) Applicant: **BioQ Pharma Inc.**, San Francisco, CA 8,597,244 B2 * 12/2013 Mernoe A61M 5/14216
(US) 604/134
(72) Inventors: **Joshua W. Kriesel**, San Francisco, CA D709,183 S * 7/2014 Kemlein D24/111
(US); **Ralph I. McNall, III**, Belmont, D749,206 S * 2/2016 Johnson D24/111
CA (US); **Thomas T. Donze**, South San D752,209 S * 3/2016 Peret D24/111
Francisco, CA (US); **Serena Joshi**, D752,736 S * 3/2016 Chandrasenan D24/111
South San Francisco, CA (US) D766,424 S * 9/2016 Anderson D24/111
D770,034 S * 10/2016 McNall, III D24/108
9,511,188 B2 * 12/2016 Chi A61M 5/148
D777,906 S * 1/2017 Anderson D24/111
(Continued)

(**) Term: **15 Years**

(21) Appl. No.: **29/618,022**

(22) Filed: **Sep. 18, 2017**

(51) **LOC (11) Cl.** **24-02**

(52) **U.S. Cl.**
USPC **D24/111**

(58) **Field of Classification Search**
USPC D24/107, 108, 111, 220, 224, 231
CPC .. A61M 5/14244; A61M 5/142; A61M 5/172;
A61M 2005/14268; A61M 5/1413; A61M
5/1407; A61M 5/1408; A61M 5/1409;
A61M 5/14; G06F 19/00; G06F 19/3468
See application file for complete search history.

(56) **References Cited**

U.S. PATENT DOCUMENTS

5,242,407 A * 9/1993 Struble A61M 5/142
417/474
5,630,710 A * 5/1997 Tune A61M 5/172
417/326
5,935,099 A * 8/1999 Peterson G06F 19/00
604/65
D457,949 S * 5/2002 Krug D24/111
6,422,057 B1 * 7/2002 Anderson A61M 5/14228
73/1.36
D586,463 S * 2/2009 Evans D24/111
7,967,773 B2 * 6/2011 Amborn A61M 5/14244
417/477.2

OTHER PUBLICATIONS

BioQ Pharma: Our Focus. Copyright 2018. Retrieved from Internet:
<<https://www.bioqpharma.com/our-focus/>> (Year: 2018).*

Primary Examiner — Lilyana Bekic

(74) *Attorney, Agent, or Firm* — Thomas W. Galvani,
P.C.; Thomas W. Galvani

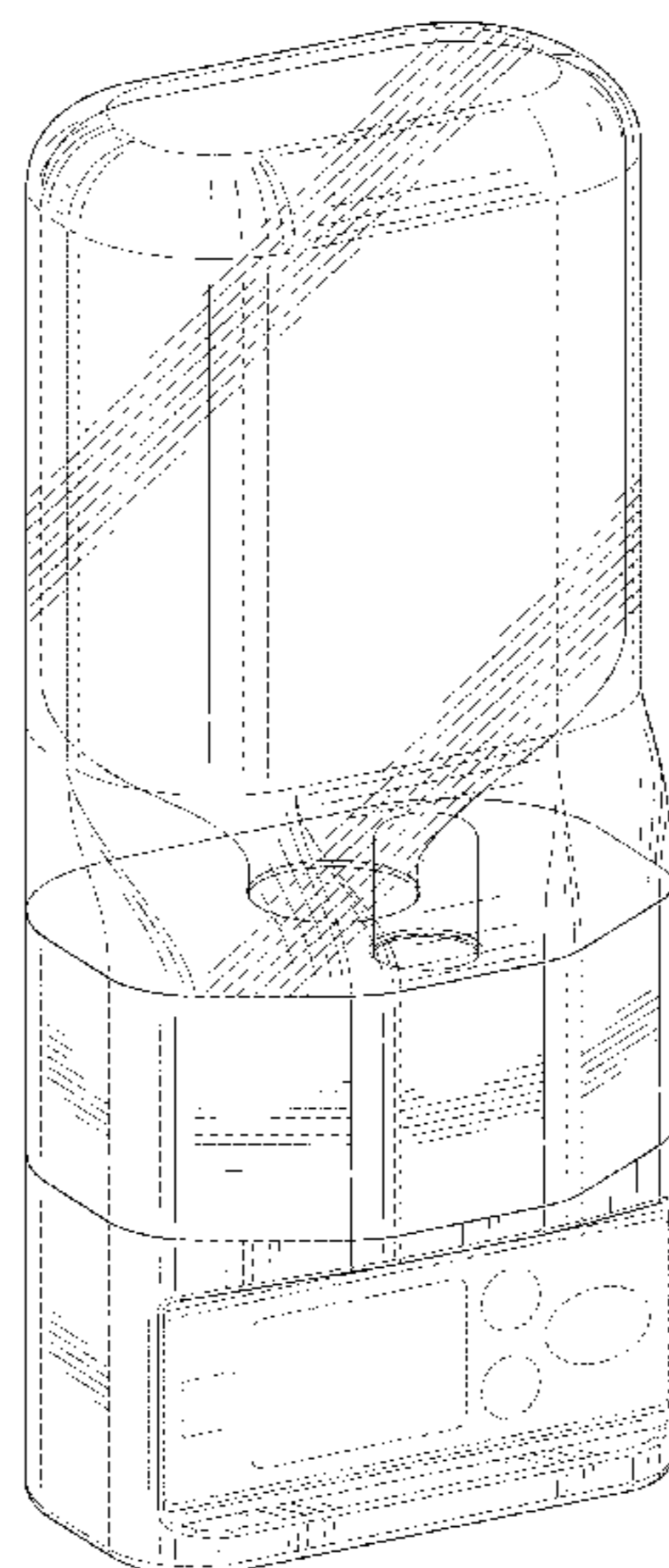
(57) **CLAIM**

The ornamental design for a two part reusable dispenser, as shown and described.

DESCRIPTION

FIG. 1 is a front perspective view of a two part reusable dispenser shown in accordance with our new design;
FIG. 2 is a rear perspective view thereof;
FIG. 3 is a front elevation view thereof;
FIG. 4 is a rear elevation view thereof;
FIG. 5 is a left side elevation view thereof;
FIG. 6 is a right side elevation view thereof;
FIG. 7 is a top plan view thereof;
FIG. 8 is a bottom plan view thereof; and,
FIG. 9 is an exploded front perspective view thereof.
The broken lines in the drawings depict portions of the two part reusable dispenser that form no part of the claimed design.

1 Claim, 8 Drawing Sheets



(56)

References Cited

U.S. PATENT DOCUMENTS

2011/0133946 A1* 6/2011 Kopp A61M 5/142
340/679
2011/0137239 A1* 6/2011 DeBelser A61M 5/14244
604/67
2015/0182688 A1* 7/2015 Dhami A61M 5/14228
604/151
2016/0199568 A1* 7/2016 McNall, III A61M 5/142
604/67
2017/0028126 A1* 2/2017 Moosai A61M 5/14228
2017/0232187 A1* 8/2017 McNall, III A61J 1/202
604/91
2018/0116610 A1* 5/2018 Adams A61M 5/142

* cited by examiner

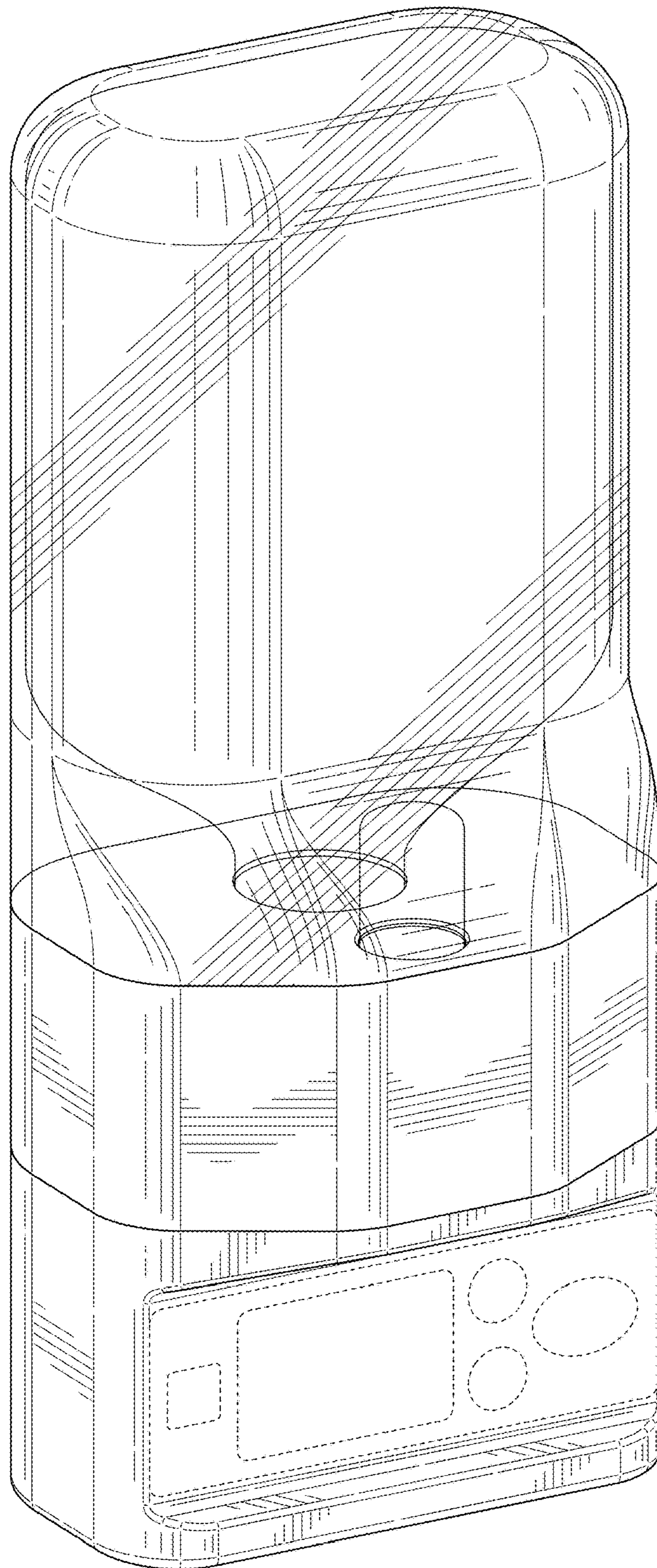


FIG. 1

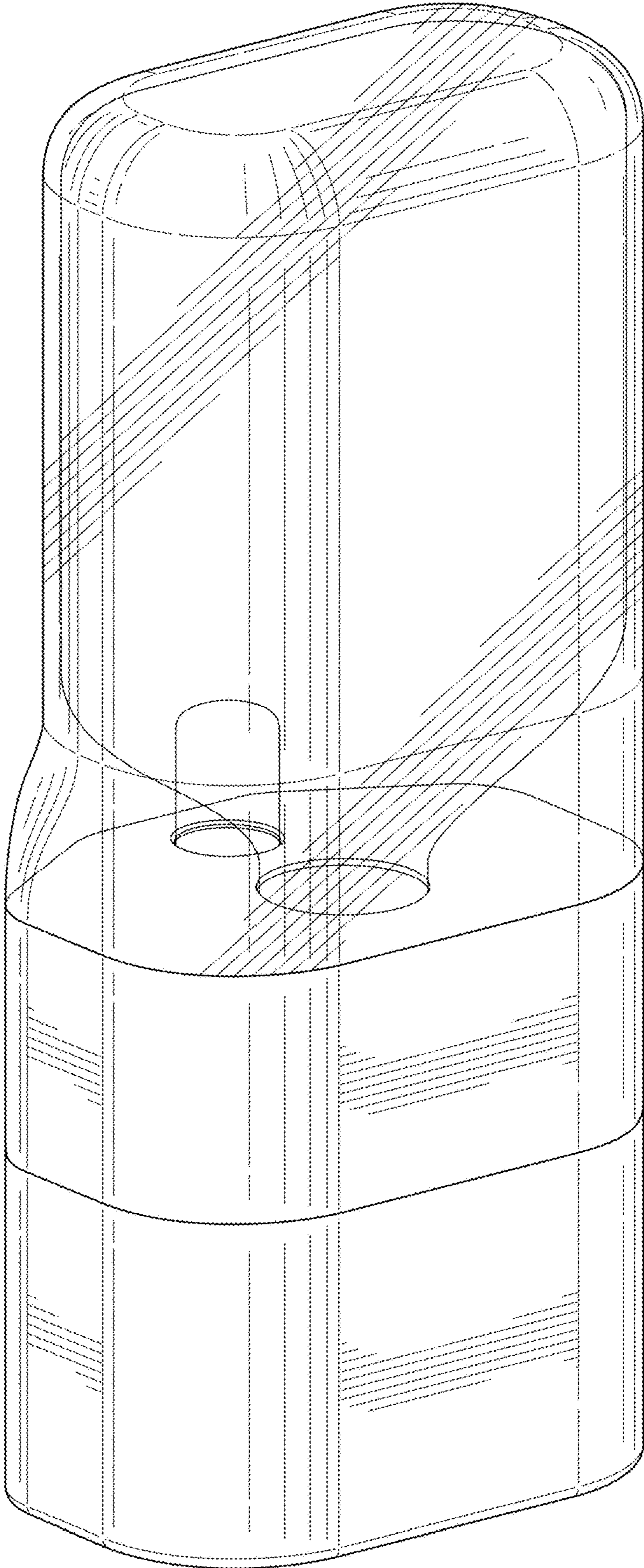


FIG. 2

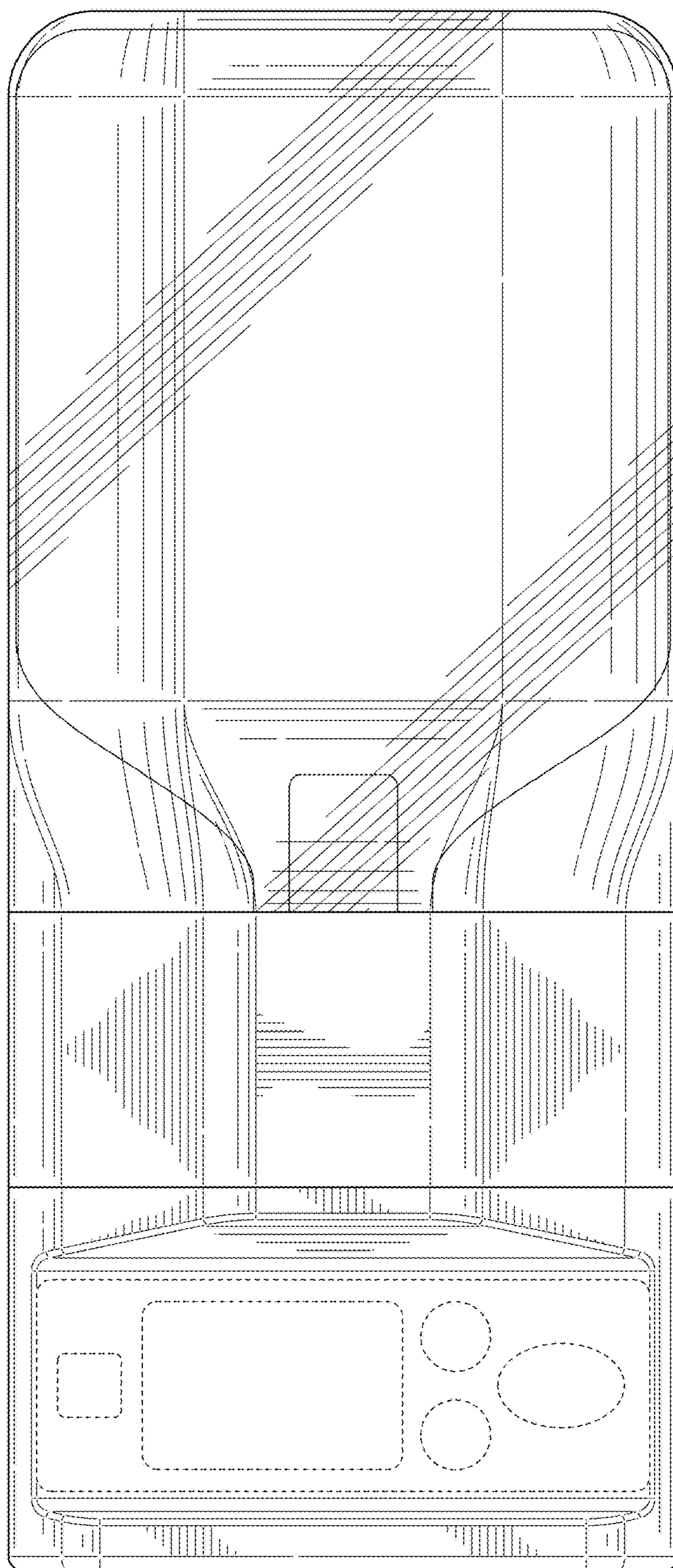


FIG. 3

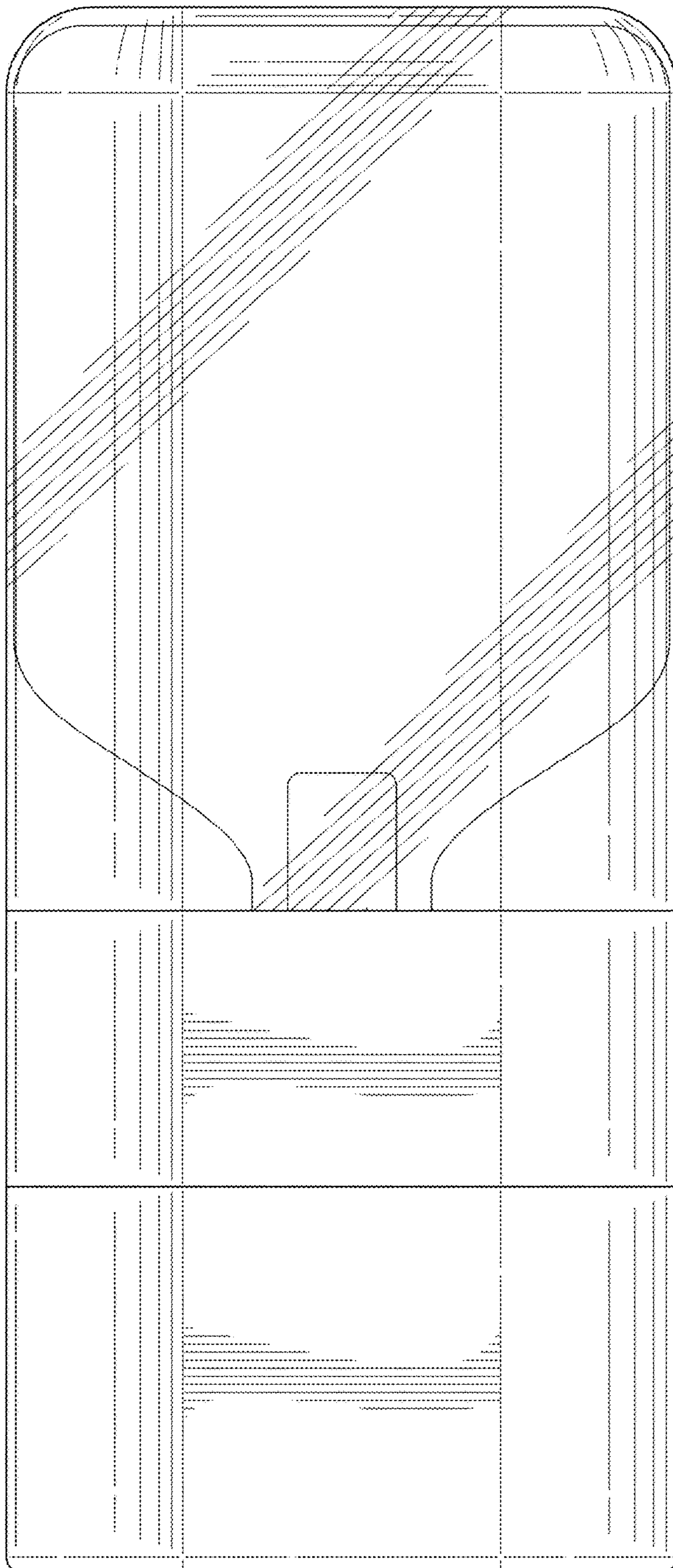


FIG. 4

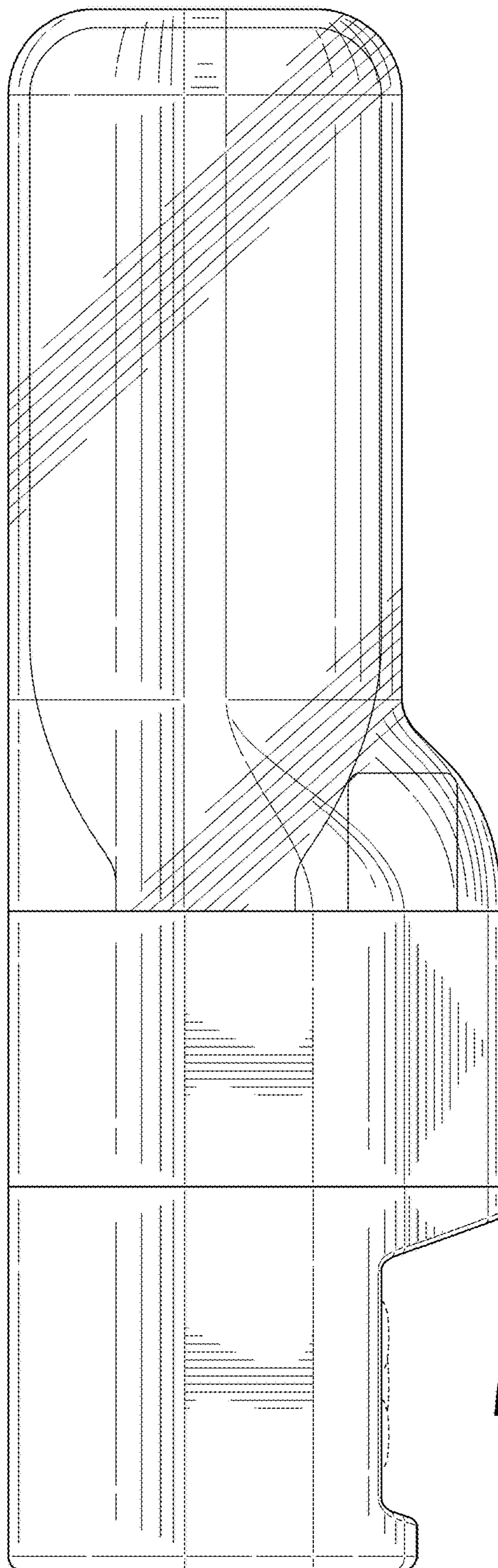


FIG. 5

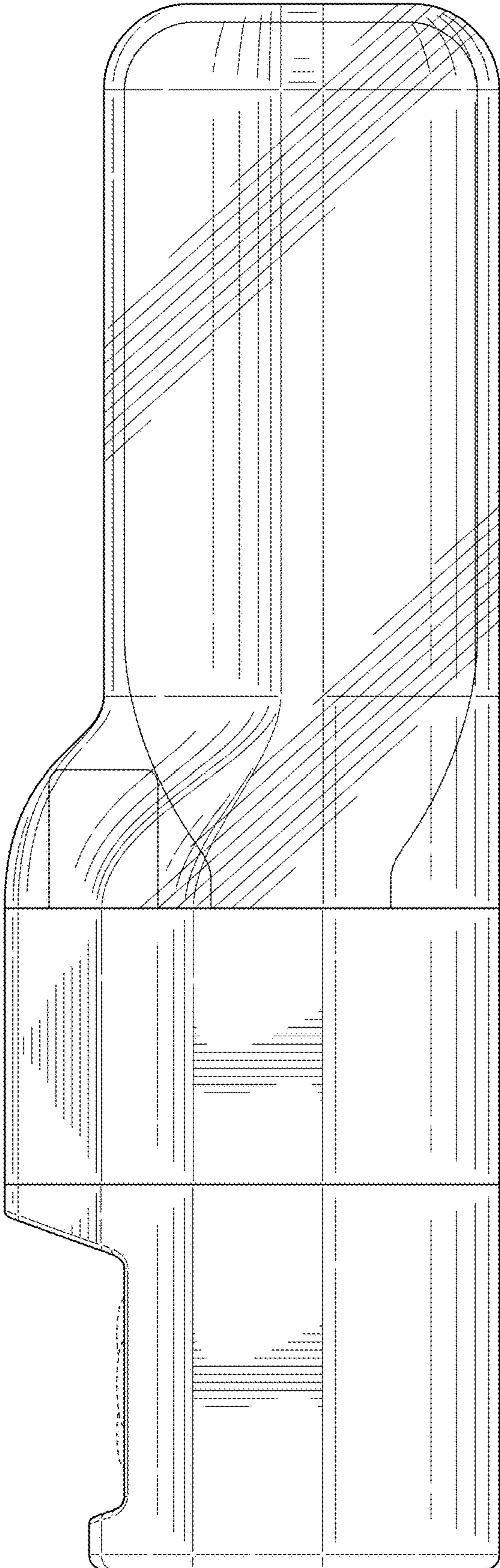


FIG. 6

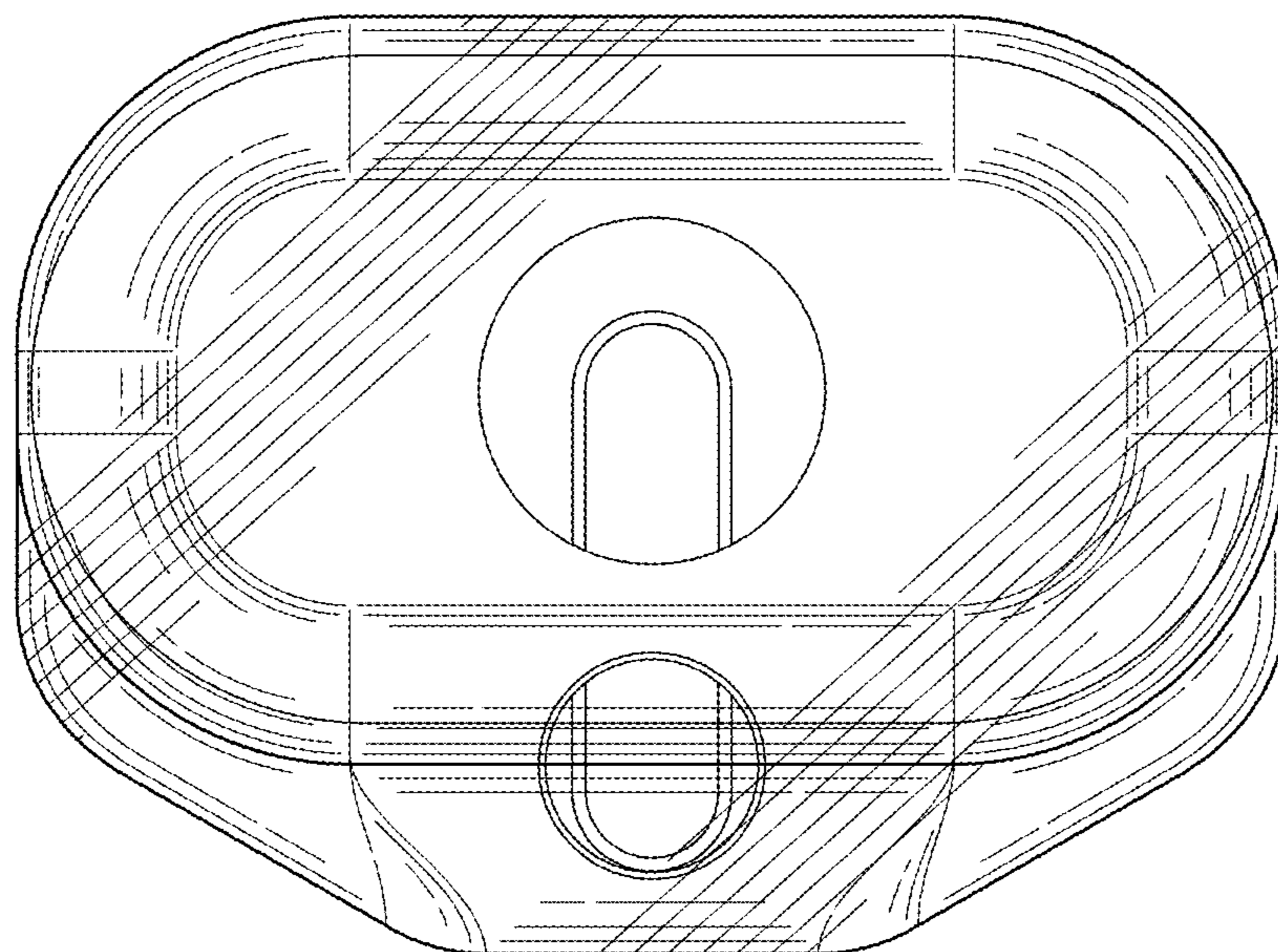


FIG. 7

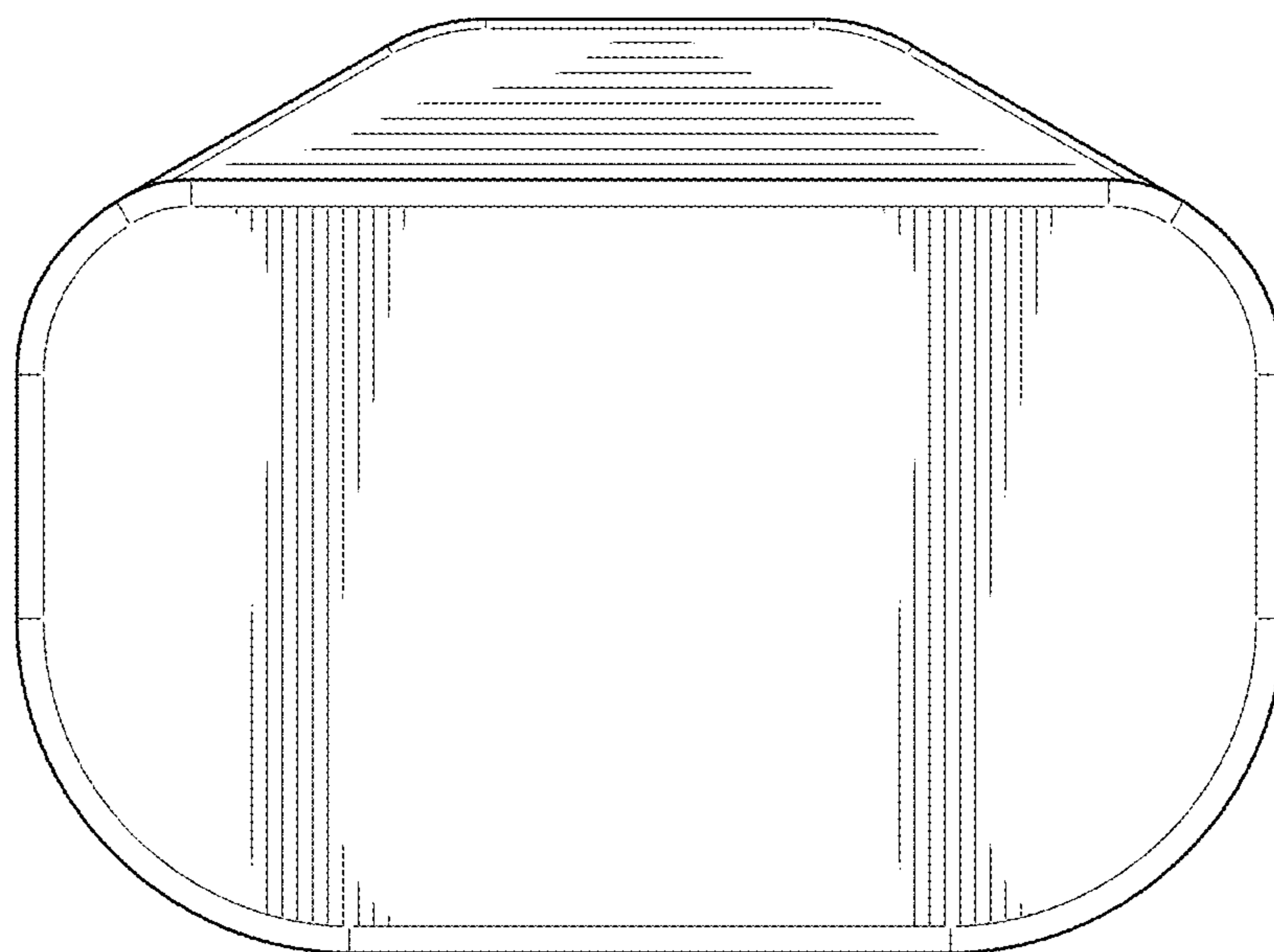


FIG. 8

