



US00D847327S

(12) **United States Design Patent**
McNall, III et al.

(10) **Patent No.:** **US D847,327 S**

(45) **Date of Patent:** **** Apr. 30, 2019**

(54) **COMBINED DISPENSER AND REMOVABLE TWO VIAL CARTRIDGE**

(71) Applicant: **BioQ Pharma Inc.**, San Francisco, CA (US)

(72) Inventors: **Ralph I. McNall, III**, Belmont, CA (US); **Thomas T. Donze**, South San Francisco, CA (US); **Serena Joshi**, South San Francisco, CA (US)

(**) Term: **15 Years**

(21) Appl. No.: **29/617,222**

(22) Filed: **Sep. 12, 2017**

(51) **LOC (11) Cl.** **24-02**

(52) **U.S. Cl.**
USPC **D24/111**

(58) **Field of Classification Search**
USPC D24/107, 108, 111, 220, 224, 231
CPC .. A61M 5/14244; A61M 5/142; A61M 5/172;
A61M 2005/14268; A61M 5/1413; A61M 5/1407; A61M 5/1408; A61M 5/1409; A61M 5/14; G06F 19/00; G06F 19/3468
See application file for complete search history.

(56) **References Cited**

U.S. PATENT DOCUMENTS

5,242,407	A *	9/1993	Struble	A61M 5/142 417/474
5,630,710	A *	5/1997	Tune	A61M 5/172 417/326
5,935,099	A *	8/1999	Peterson	G06F 19/00 604/65
D457,949	S *	5/2002	Krug	D24/111
6,422,057	B1 *	7/2002	Anderson	A61M 5/14228 73/1.36
D586,463	S *	2/2009	Evans	D24/111
7,967,773	B2 *	6/2011	Amborn	A61M 5/14244 417/477.2

8,029,468	B2 *	10/2011	Kriesel	A61M 5/1408 604/131
8,597,244	B2 *	12/2013	Mernoe	A61M 5/14216 604/134
D709,183	S *	7/2014	Kemlein	D24/111
D749,206	S *	2/2016	Johnson	D24/111
D752,209	S *	3/2016	Peret	D24/111
D752,736	S *	3/2016	Chandrasenan	D24/111
D766,424	S *	9/2016	Anderson	D24/111
D770,034	S *	10/2016	McNall, III	D24/108

(Continued)

OTHER PUBLICATIONS

BioQ Pharma: Our Focus. Copyright 2018. Retrieved from Internet: <<https://www.bioqpharma.com/our-focus/>> (Year: 2018).*

Primary Examiner — Lilyana Bekic

(74) *Attorney, Agent, or Firm* — Thomas W. Galvani, P.C.; Thomas W. Galvani

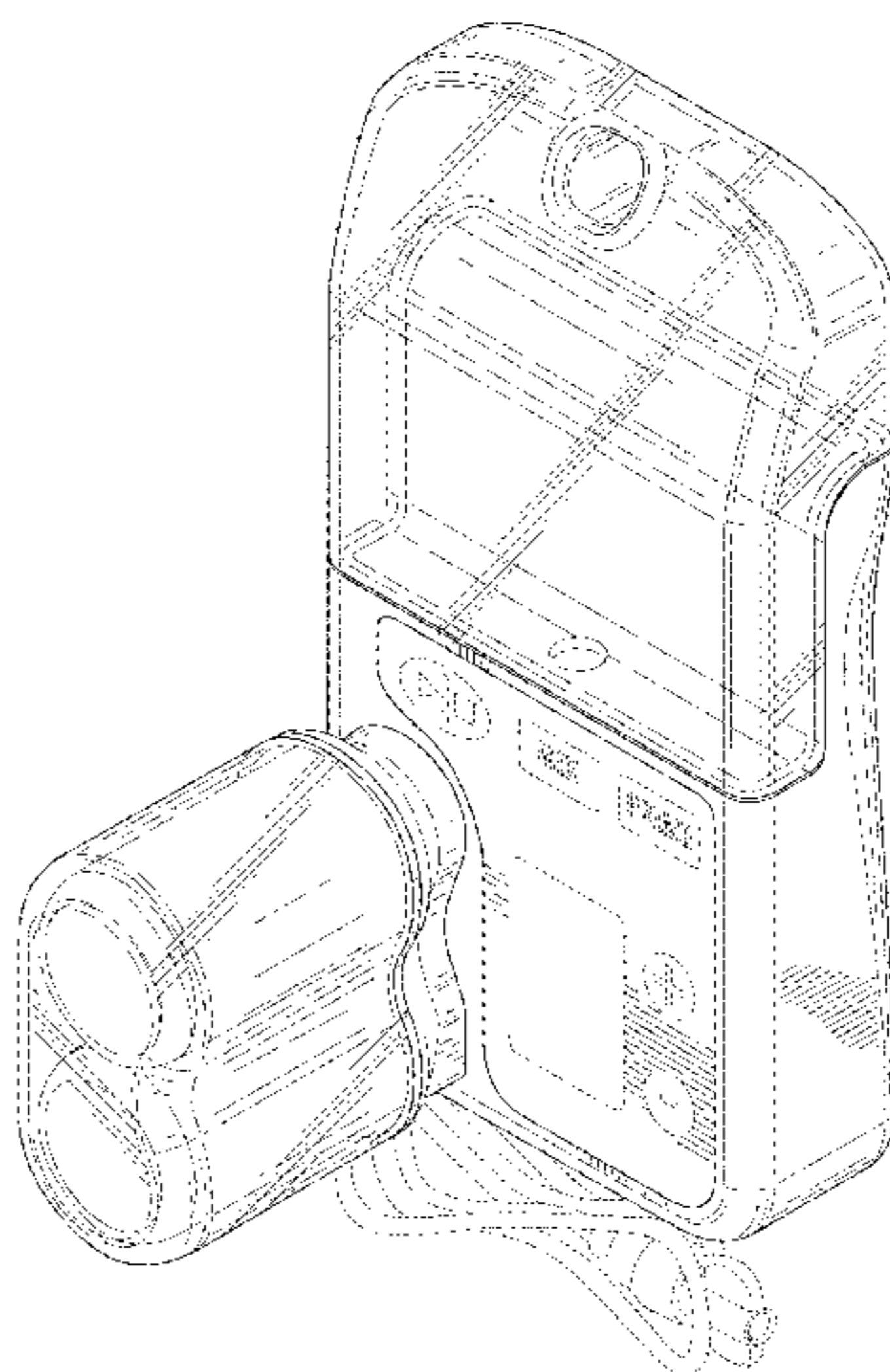
(57) **CLAIM**

The ornamental design for a combined dispenser and removable two vial cartridge, as shown and described.

DESCRIPTION

FIG. 1 is a front perspective view of a combined dispenser and removable two vial cartridge shown in accordance with our new design;
FIG. 2 is a rear perspective view thereof;
FIG. 3 is a front elevation view thereof;
FIG. 4 is a rear elevation view thereof;
FIG. 5 is a right side elevation view thereof;
FIG. 6 is a left side elevation view thereof;
FIG. 7 is a top plan view thereof;
FIG. 8 is a bottom plan view thereof; and,
FIG. 9 is an exploded front perspective view thereof.
The broken lines in the drawings depict portions of the combined dispenser and removable two vial cartridge that from no part of the claimed design.

1 Claim, 8 Drawing Sheets



(56)

References Cited

U.S. PATENT DOCUMENTS

9,511,188 B2 * 12/2016 Chi A61M 5/148
D777,906 S * 1/2017 Anderson D24/111
2011/0133946 A1 * 6/2011 Kopp A61M 5/142
340/679
2011/0137239 A1 * 6/2011 DeBelser A61M 5/14244
604/67
2015/0182688 A1 * 7/2015 Dhami A61M 5/14228
604/151
2016/0199568 A1 * 7/2016 McNall, III A61M 5/142
604/67
2017/0028126 A1 * 2/2017 Moosai A61M 5/14228
2017/0232187 A1 * 8/2017 McNall, III A61J 1/202
604/91
2018/0116610 A1 * 5/2018 Adams A61M 5/142

* cited by examiner



FIG. 1

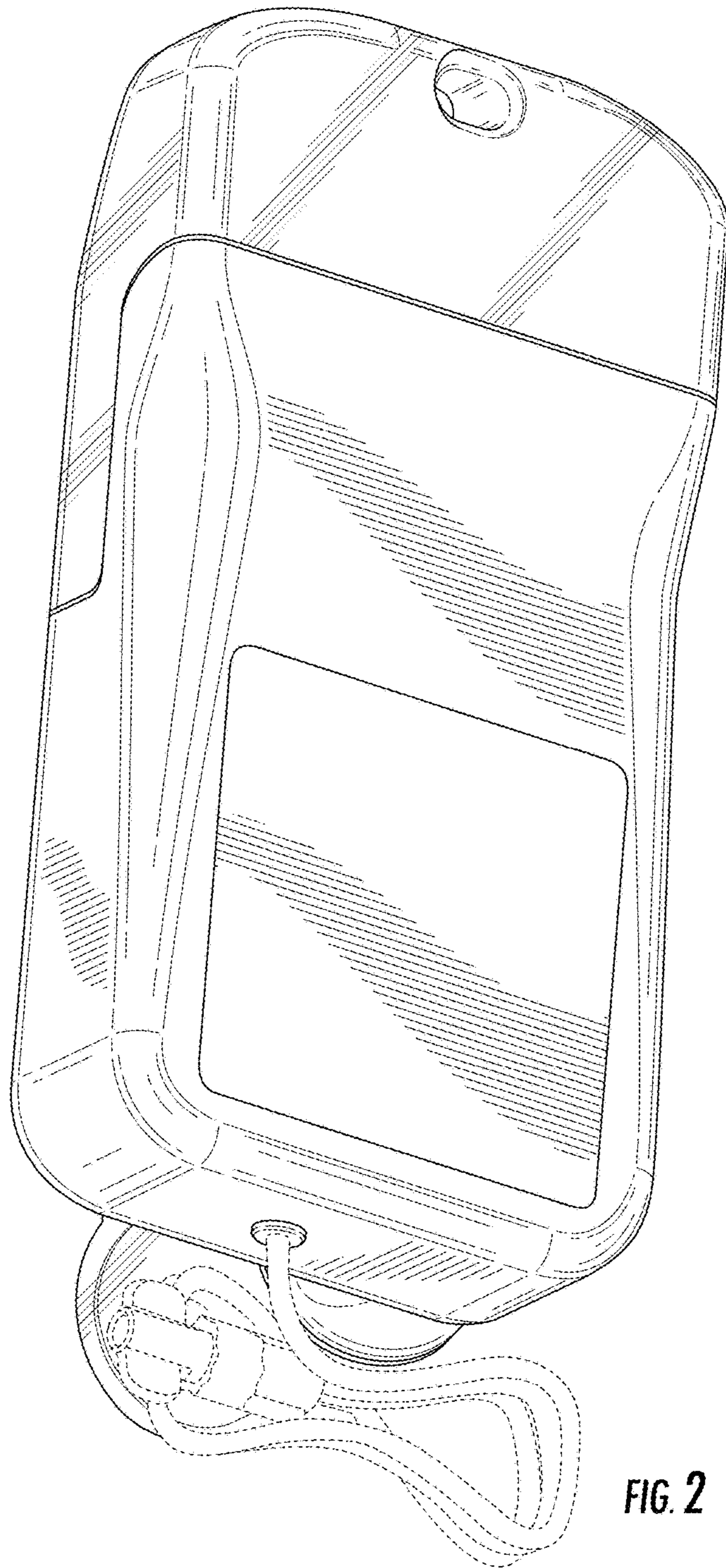


FIG. 2

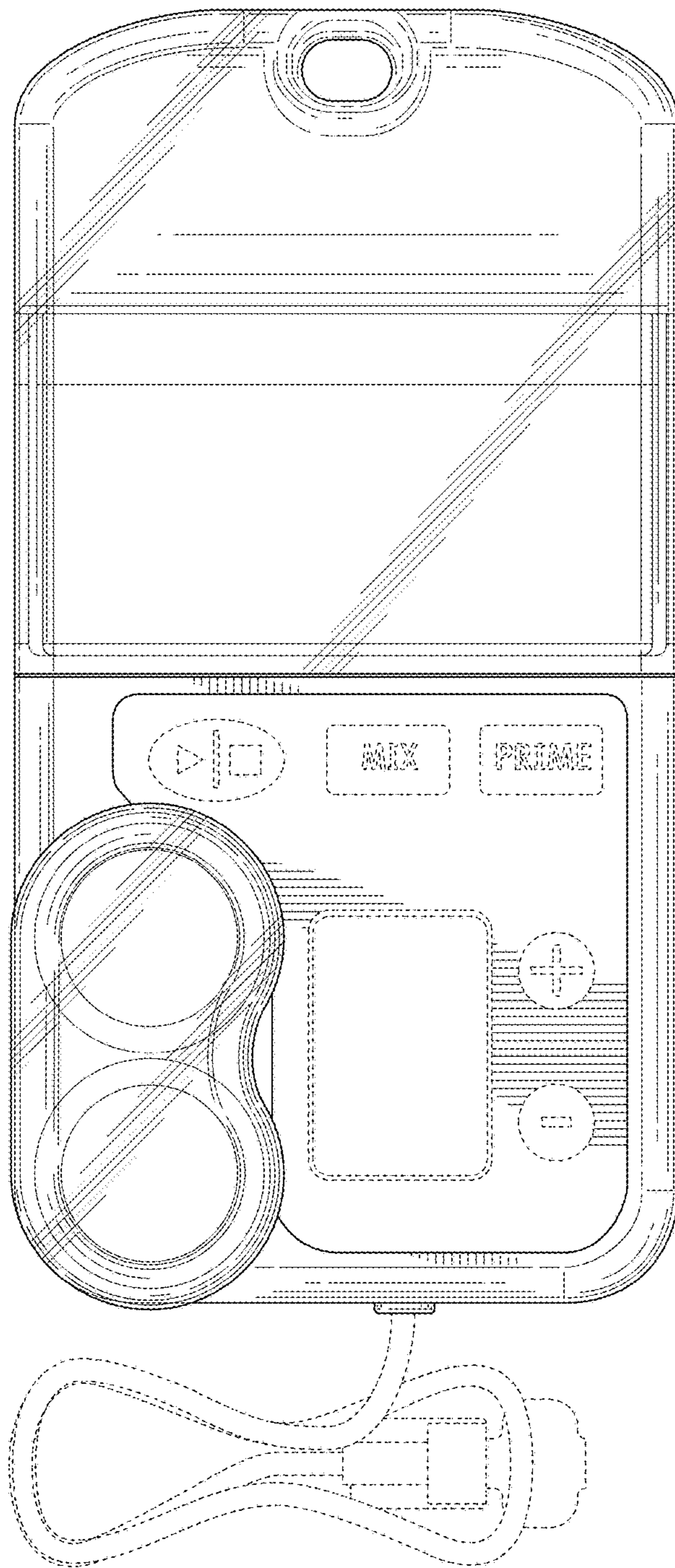


FIG. 3

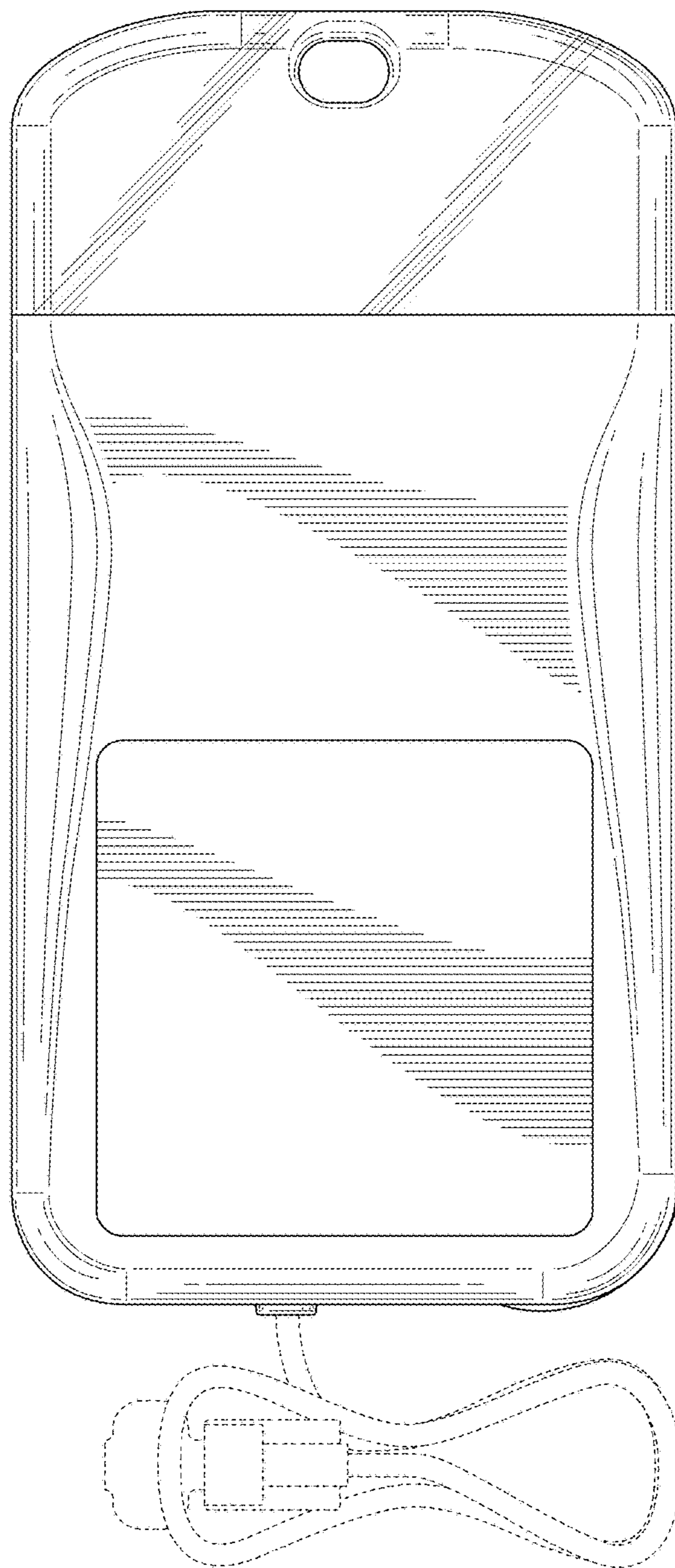
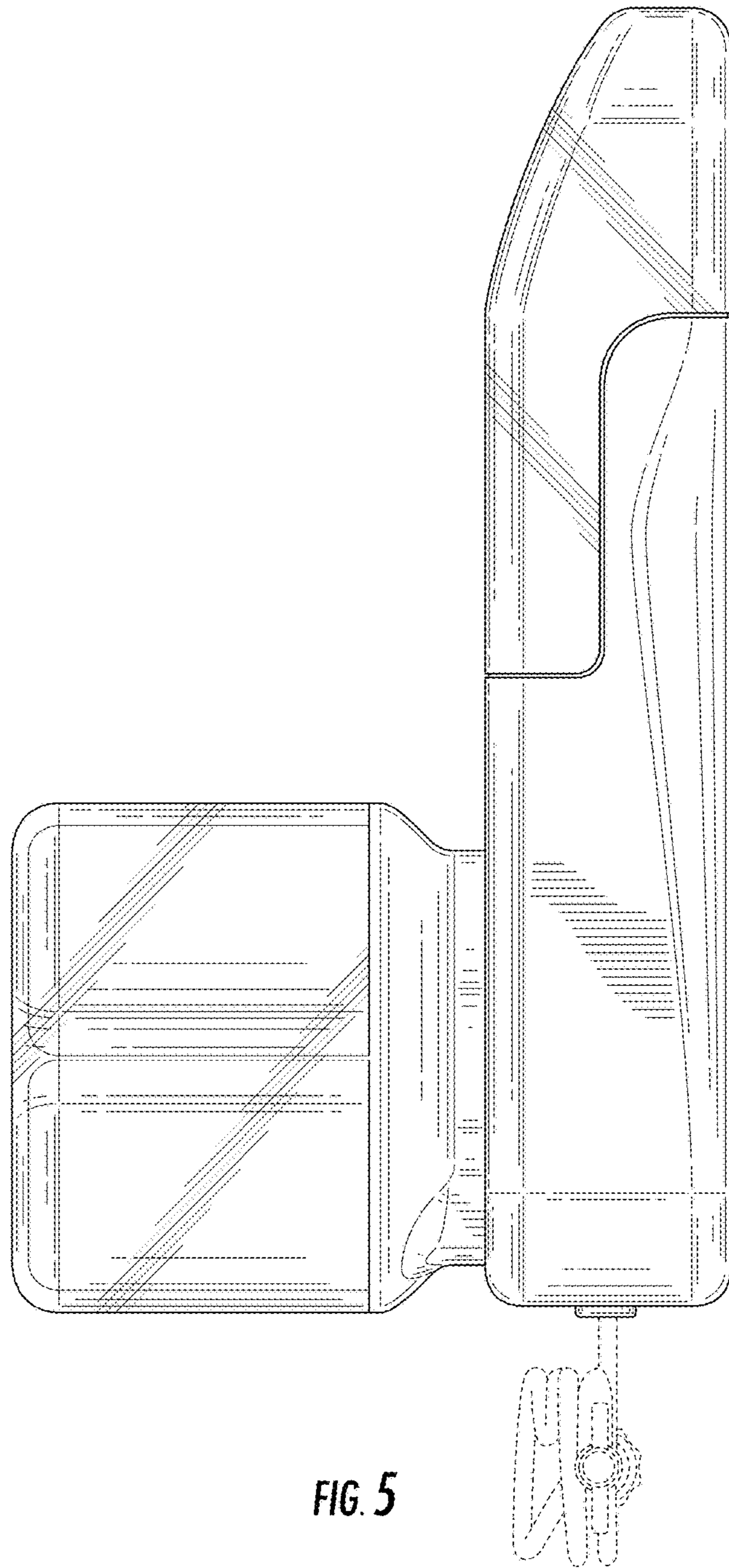


FIG. 4



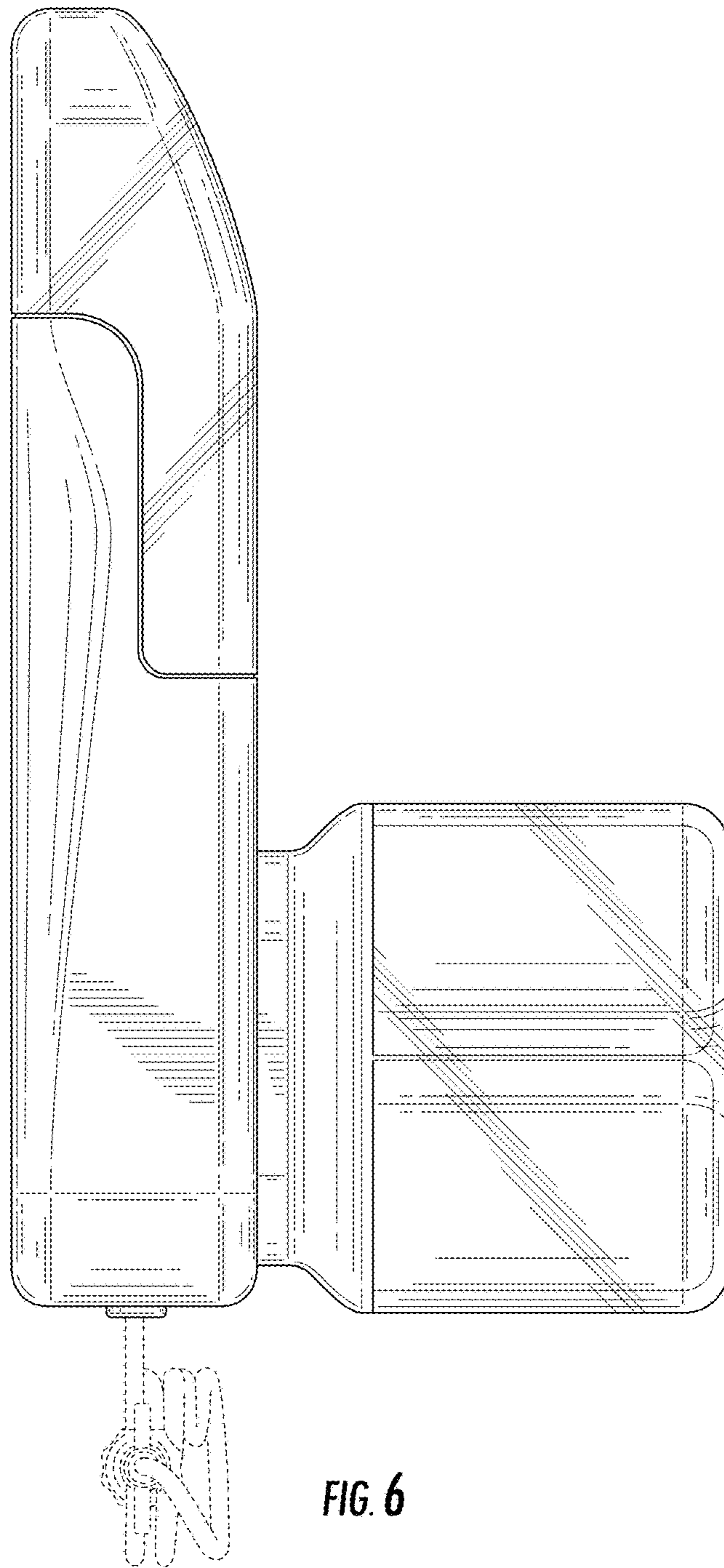


FIG. 6

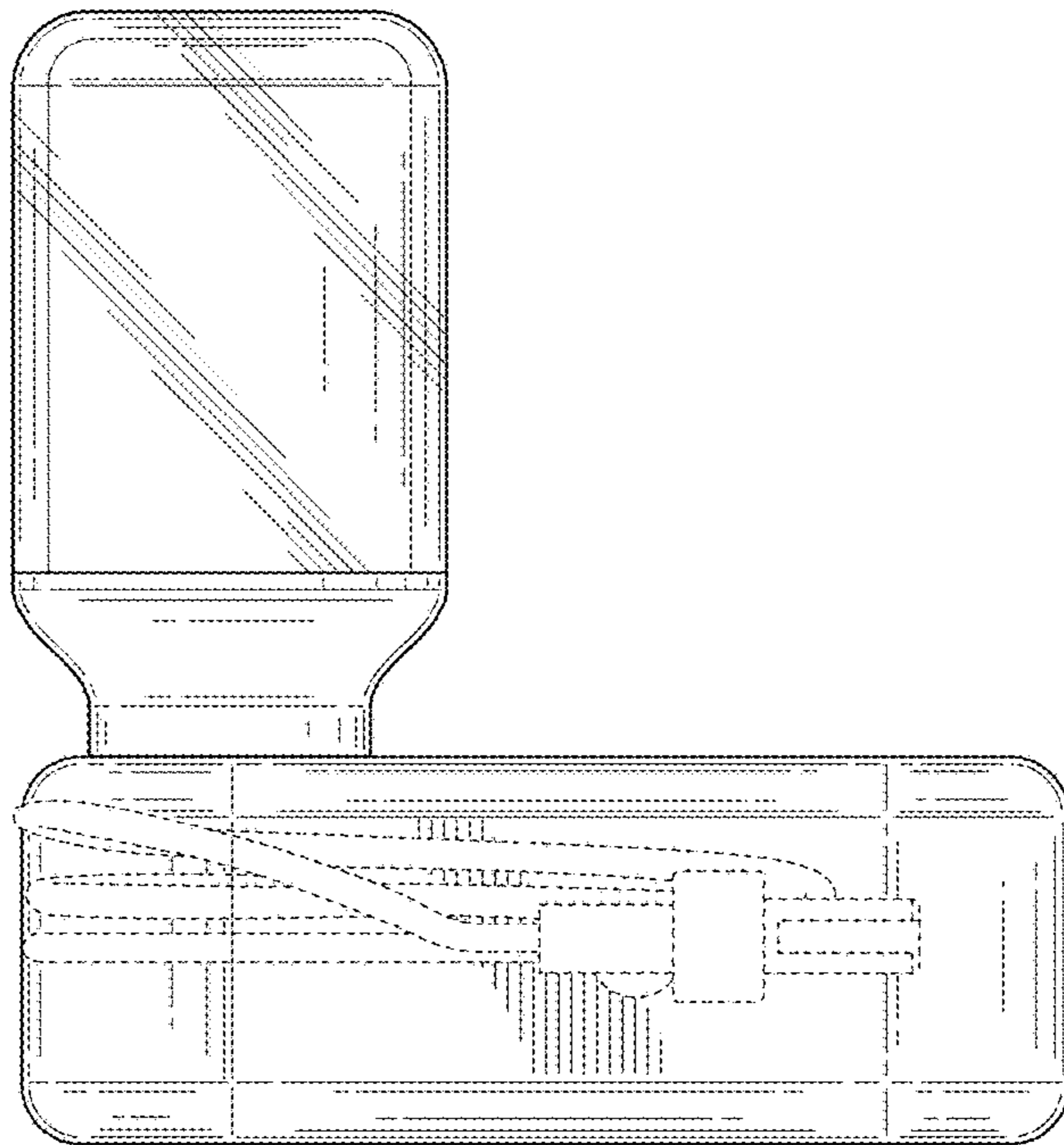
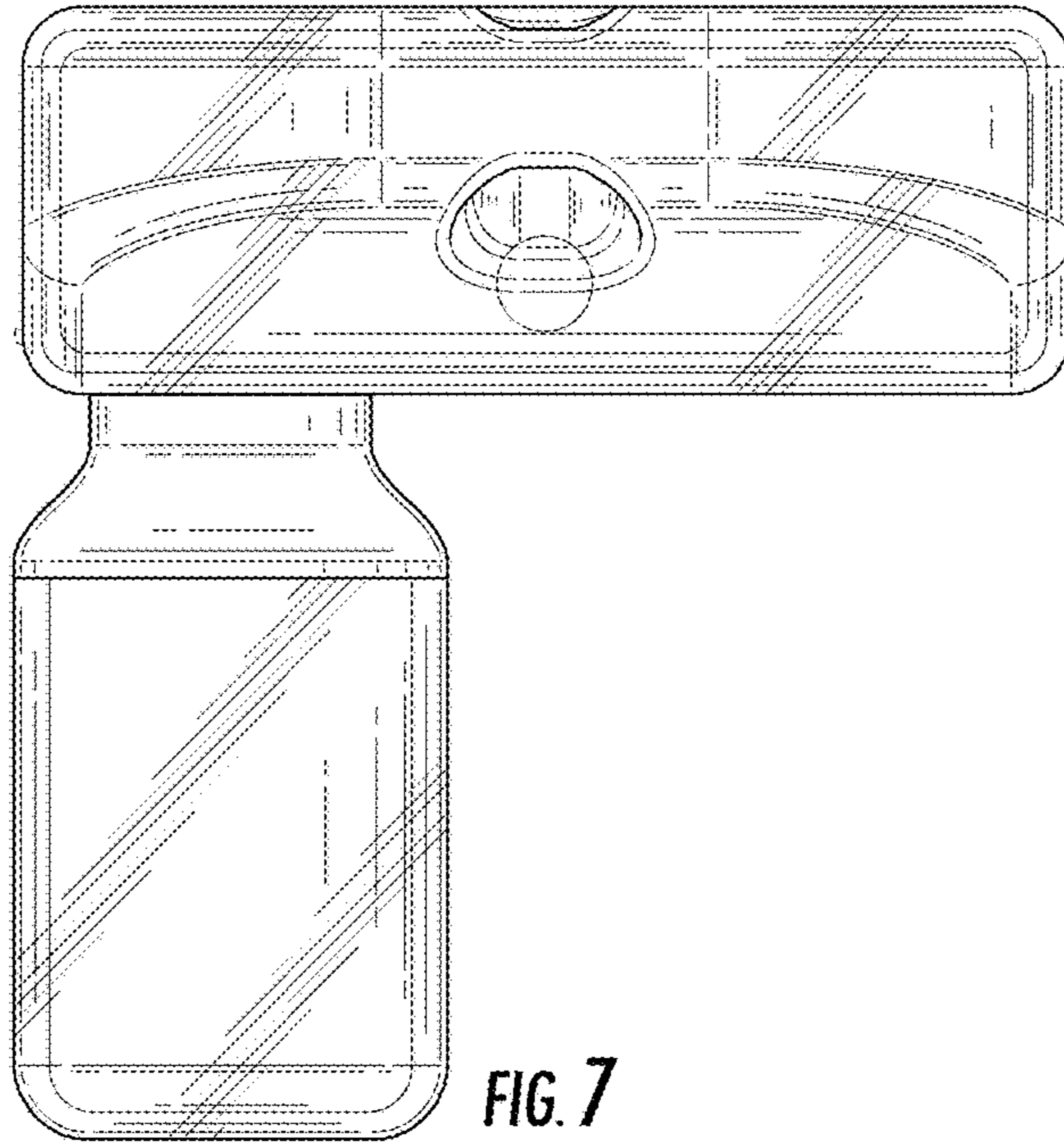


FIG. 8

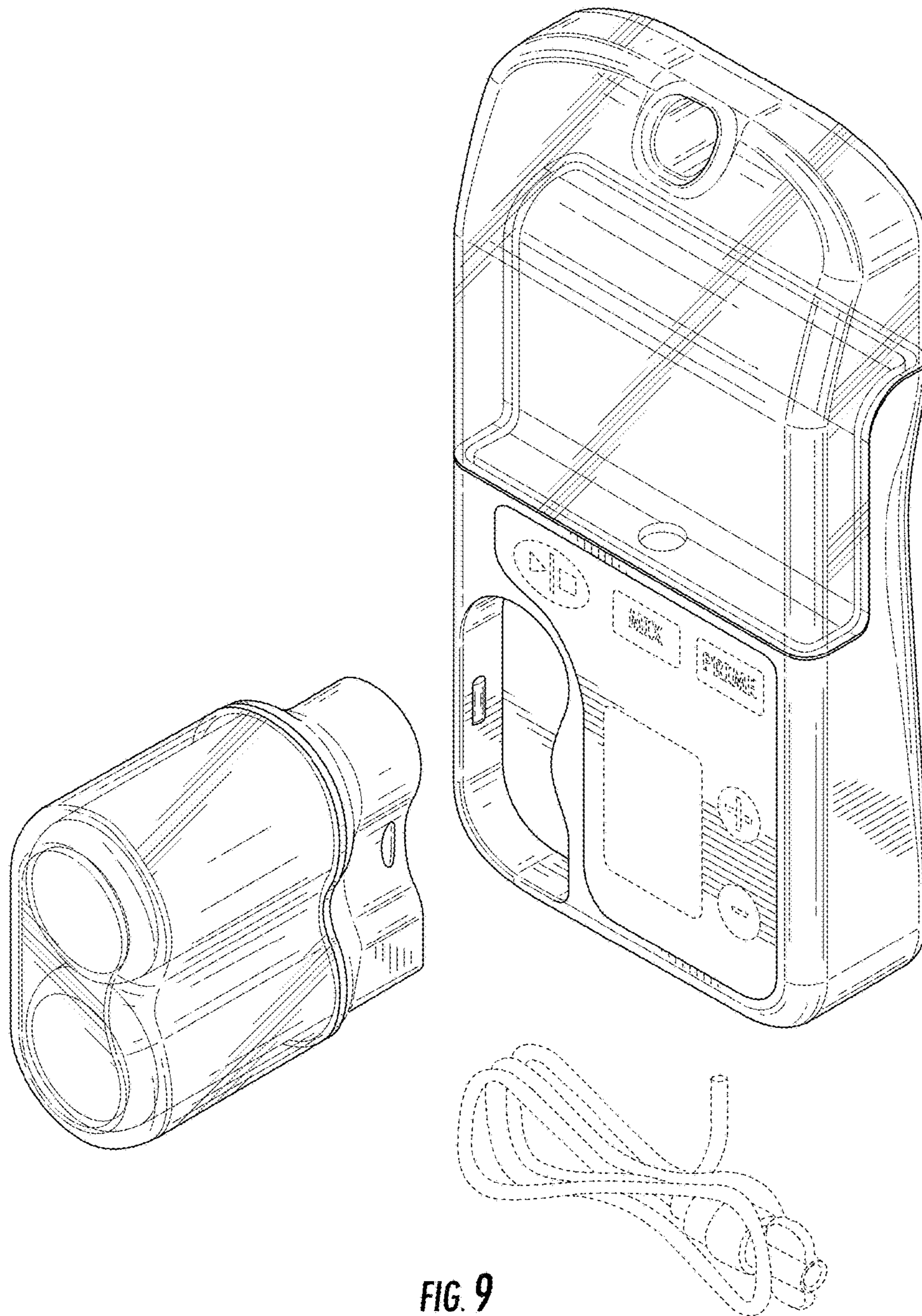


FIG. 9