



US00D847326S

(12) **United States Design Patent**
Eury et al.

(10) **Patent No.:** **US D847,326 S**
(45) **Date of Patent:** **** Apr. 30, 2019**

(54) **POSITIVE AIRWAY PRESSURE TUBE FOR SLEEP THERAPY**

(71) Applicant: **KONINKLIJKE PHILIPS N.V.**,
Eindhoven (NL)

(72) Inventors: **Matthew Paul Eury**, Monroeville, PA (US); **Jonathan Paul McCaslin**, Monroeville, PA (US); **Oisin O’Muircheartaigh**, Andover, PA (US)

(73) Assignee: **KONINKLIJKE PHILIPS N.V.**,
Eindhoven (NL)

(**) Term: **15 Years**

(21) Appl. No.: **29/583,206**

(22) Filed: **Nov. 3, 2016**

(51) **LOC (11) Cl.** **29-02**

(52) **U.S. Cl.**
USPC **D24/110**

(58) **Field of Classification Search**
USPC D24/110, 110.1–110.5, 127
CPC A61M 16/0616; A61M 16/0633; A61M 16/06; A61M 16/0666; A61M 16/0683; A61M 16/0875; A61M 16/0816; A61M 16/08; A61M 16/0605; A61M 16/0622; A61M 16/0644

See application file for complete search history.

(56) **References Cited**

U.S. PATENT DOCUMENTS

- 2,073,335 A * 3/1937 Connell A61M 16/08
128/204.18
- 2,516,864 A * 8/1950 Gilmore B29B 13/00
156/143
- D628,288 S * 11/2010 Row D24/129
- D629,891 S * 12/2010 Virr D24/129

- D629,892 S * 12/2010 Hill D24/129
- D638,536 S * 5/2011 Row D24/129
- D638,537 S * 5/2011 Virr D24/129
- D638,933 S * 5/2011 Hill D24/129
- D677,789 S * 3/2013 Row D24/129
- D742,508 S * 11/2015 Row D24/129
- D805,630 S * 12/2017 Formica D24/110
- D808,431 S * 1/2018 Tseng D15/5
- 9,903,371 B2 * 2/2018 Row F04D 1/00
- 2010/0116272 A1 * 5/2010 Row A61M 16/0816
128/204.17
- 2012/0227738 A1 * 9/2012 Virr A61M 16/0051
128/204.21
- 2015/0122260 A1 * 5/2015 Daly A61M 16/0045
128/204.23
- 2015/0128944 A1 * 5/2015 Buechi A61M 16/1065
128/203.27
- 2015/0283350 A1 * 10/2015 Miller A61M 16/022
128/204.17

* cited by examiner

Primary Examiner — Lilyana Bekic
Assistant Examiner — Aula Soroush

(57) **CLAIM**

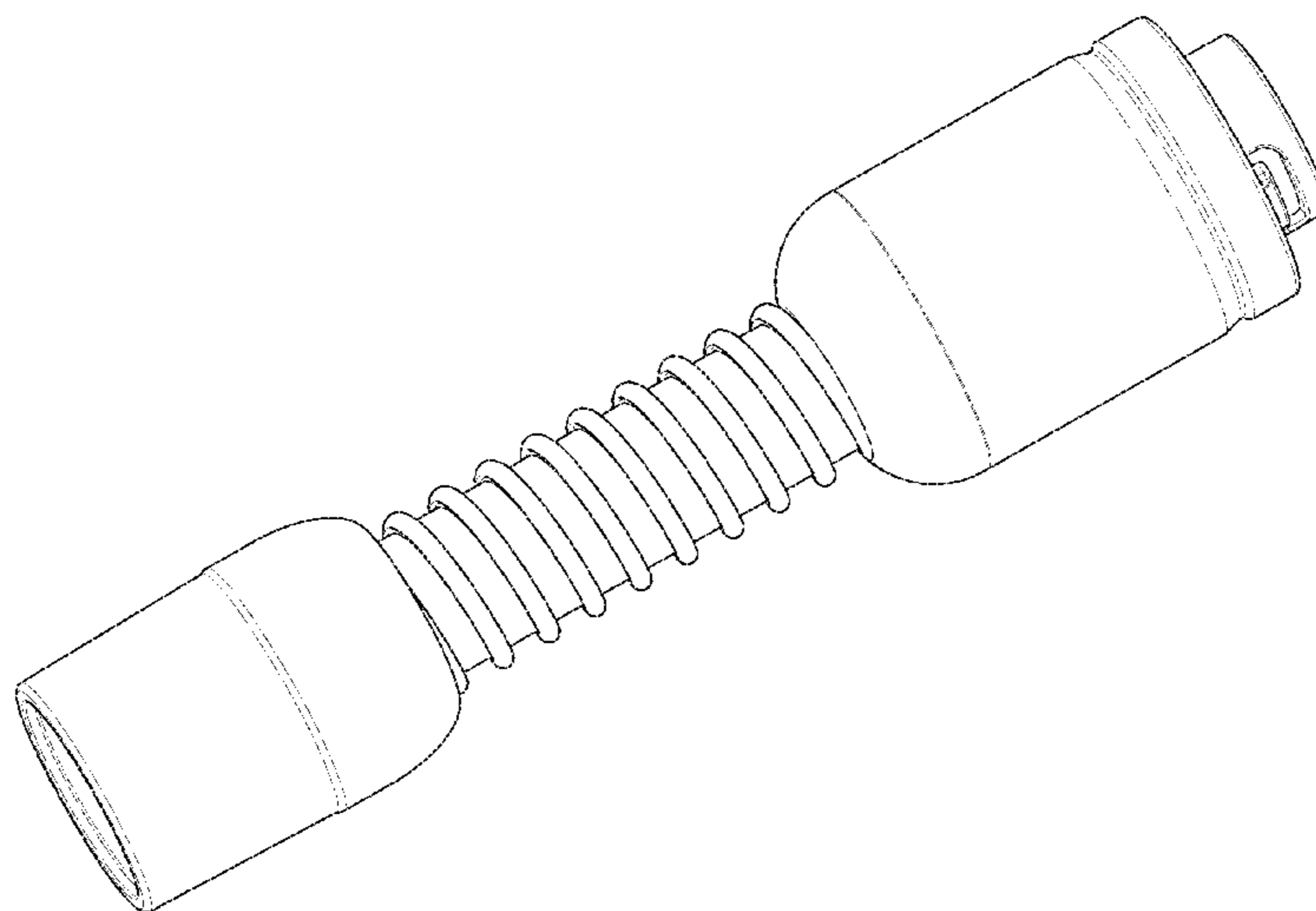
The ornamental design for a positive airway pressure tube for sleep therapy, as shown and described.

DESCRIPTION

FIG. 1 is a perspective view showing my design;
FIG. 2 is a front elevational view thereof;
FIG. 3 is a rear elevational view thereof;
FIG. 4 is a right side elevational view thereof;
FIG. 5 is a left side elevational view thereof;
FIG. 6 is a top plan view thereof; and,
FIG. 7 is a bottom plan view thereof.

The portions of the positive airway pressure tube for sleep therapy shown in broken lines form no part of the claimed design.

1 Claim, 6 Drawing Sheets



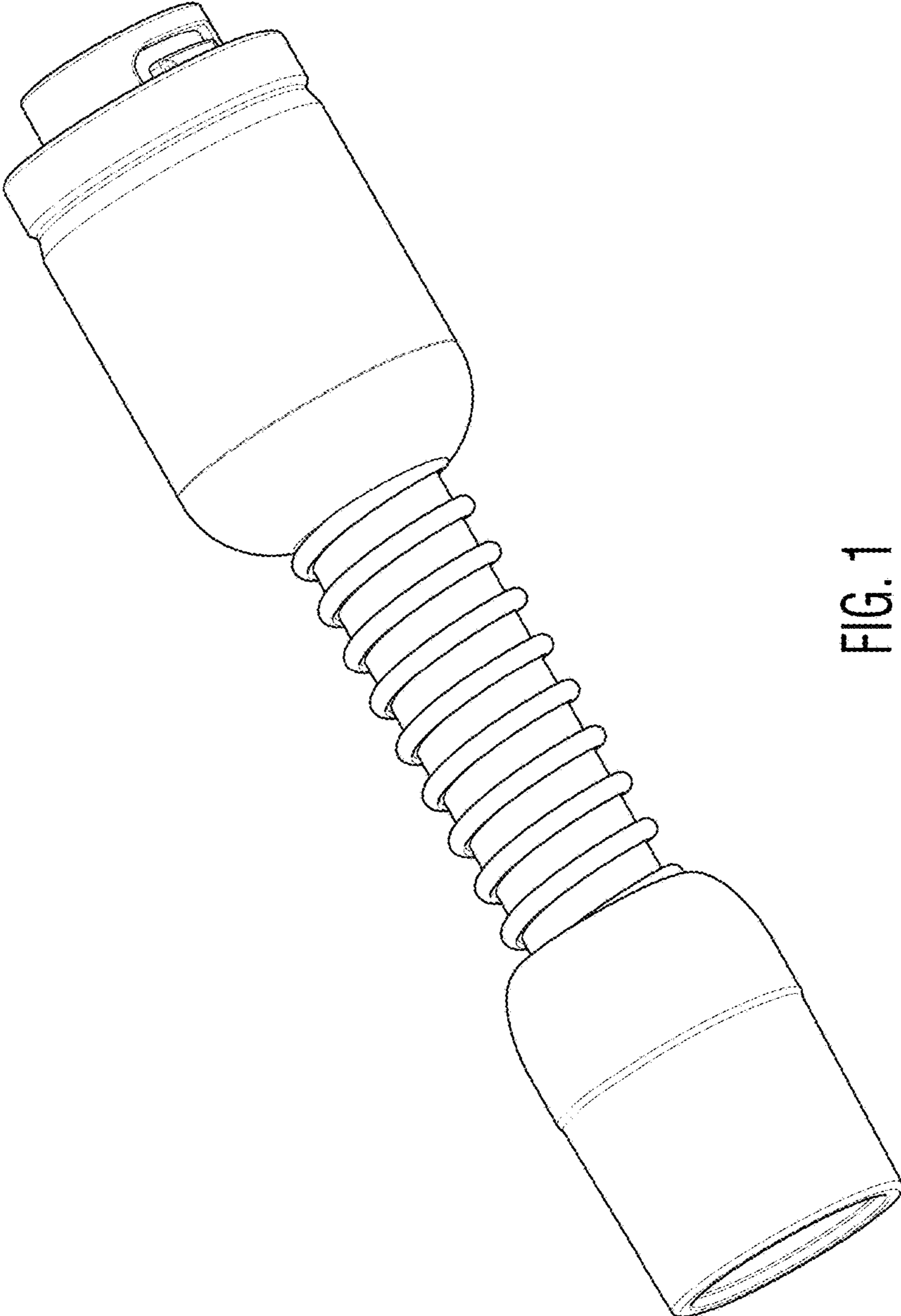


FIG. 1

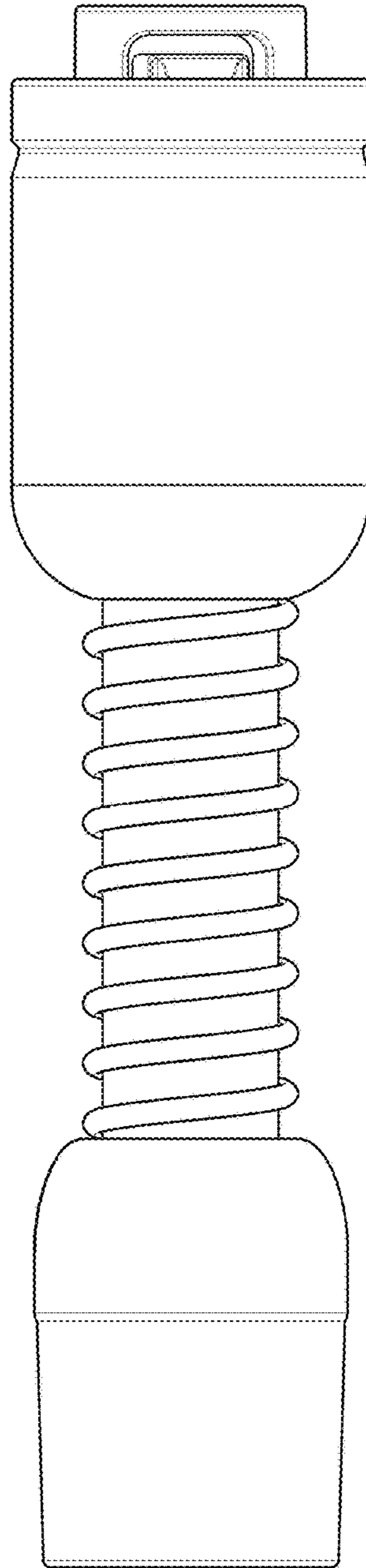


FIG. 2

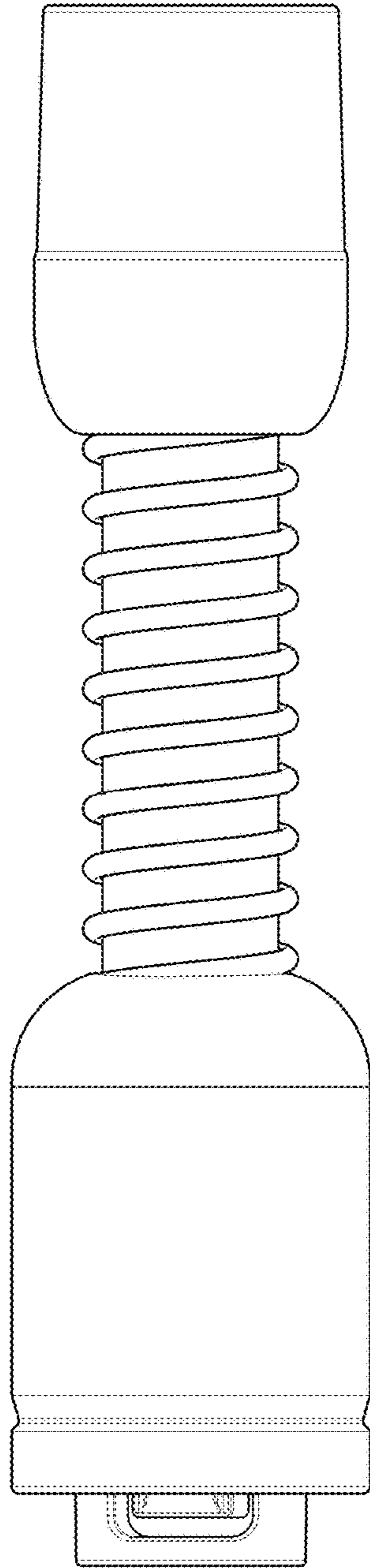


FIG. 3

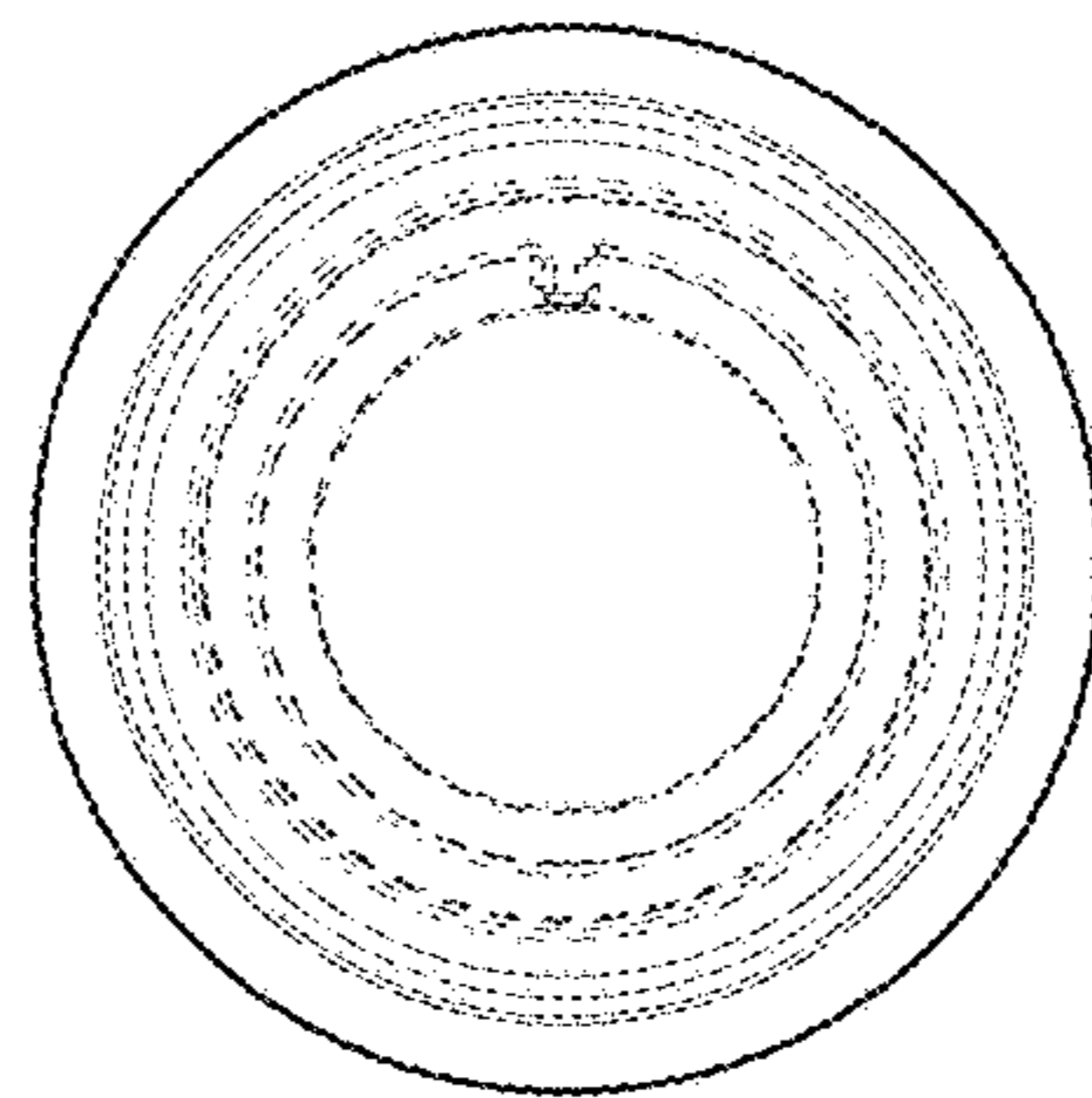


FIG. 4

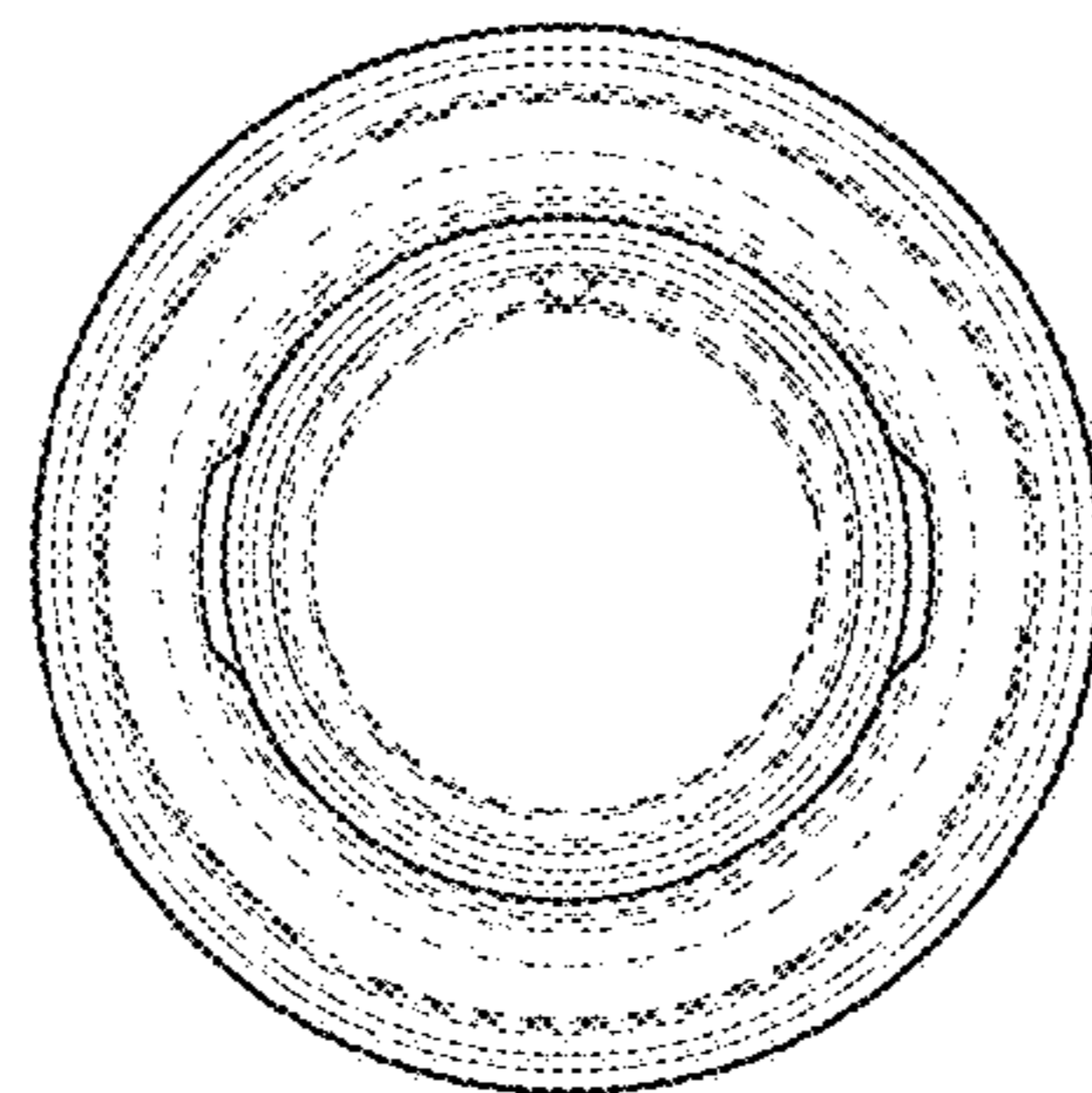


FIG. 5

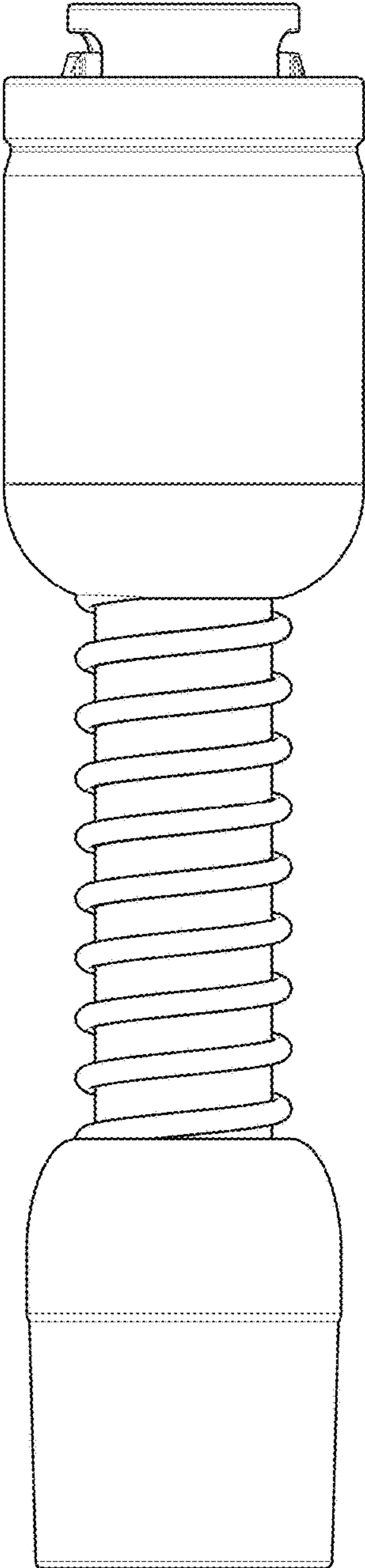


FIG. 6

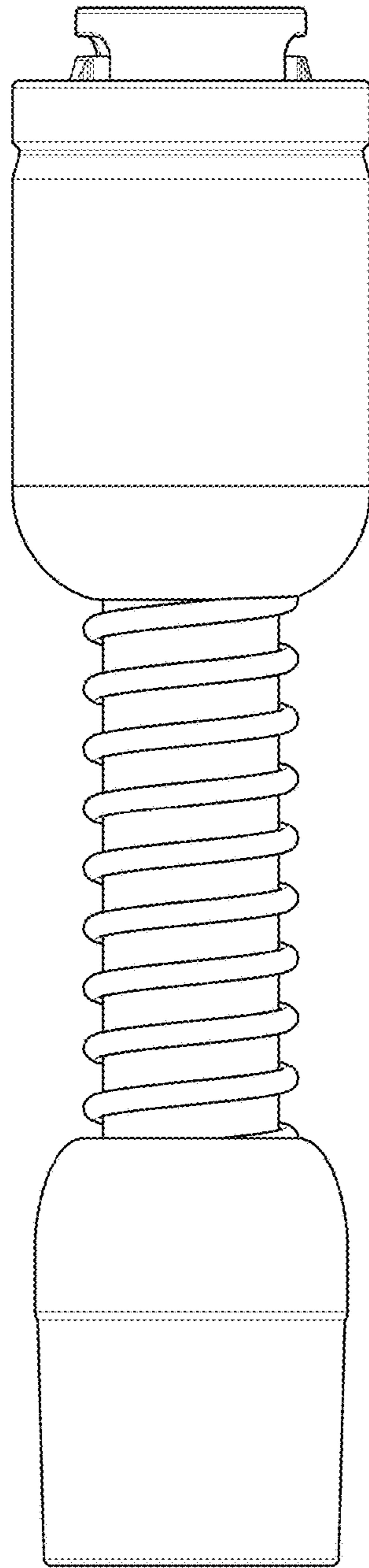


FIG. 7