



US00D847324S

(12) **United States Design Patent**
Zuo et al.

(10) **Patent No.:** **US D847,324 S**
(45) **Date of Patent:** **** Apr. 30, 2019**

(54) **AROMA DIFFUSER**

(71) Applicant: **Hui Li**, Guangdong (CN)

(72) Inventors: **Lei Peng Zuo**, Guangdong (CN); **Peng Fei Zuo**, Guangdong (CN); **Yan Chao Zuo**, Guangdong (CN)

(73) Assignee: **Hui Li**, Guangdong (CN)

(**) Term: **15 Years**

(21) Appl. No.: **29/589,138**

(22) Filed: **Dec. 28, 2016**

(51) **LOC (11) Cl.** **28-99**

(52) **U.S. Cl.**
USPC **D23/366**

(58) **Field of Classification Search**
USPC D23/314, 325, 332-336, 342, 351, 352,
D23/355-369, 370, 386-388; D14/168;
D9/500, 503, 504; D7/300.1, 510
CPC Y10T 428/1366; B32B 2597/00; A61M
25/0012; B01D 46/00; B01D 46/0004;
B01D 27/04
See application file for complete search history.

(56) **References Cited**

U.S. PATENT DOCUMENTS

D221,657 S * 8/1971 Katzman D23/362
D255,215 S * 6/1980 Ellinwood D9/504
D289,920 S * 5/1987 O'Neil, Jr. D23/366
D334,975 S * 4/1993 Bunce D23/366

D491,257 S * 6/2004 Picken, Jr. D23/366
D522,118 S * 5/2006 Miro D23/366
D565,715 S * 4/2008 Wu D23/366
D611,583 S * 3/2010 Jorgensen D23/366
D665,893 S * 8/2012 Li D23/366
D697,800 S * 1/2014 Villarreal D28/82
D753,279 S * 4/2016 Li D23/366

OTHER PUBLICATIONS

Housmile Essential Oil Diffuser found online [Aug. 2, 2017]
<https://www.amazon.com/dp/B01F2YQMUA?psc=1>.*

* cited by examiner

Primary Examiner — Lakiya G Rogers

Assistant Examiner — John A Voytek

(74) *Attorney, Agent, or Firm* — WPAT, P.C., Intellectual
Property Attorneys; Anthony King

(57) **CLAIM**

The ornamental design for an aroma diffuser, as shown and
described.

DESCRIPTION

FIG. 1 is a perspective view of an aroma diffuser of the
present invention;

FIG. 2 is a front view of the aroma diffuser of FIG. 1;

FIG. 3 is a back view of the aroma diffuser of FIG. 1;

FIG. 4 is a left side view of the aroma diffuser of FIG. 1;

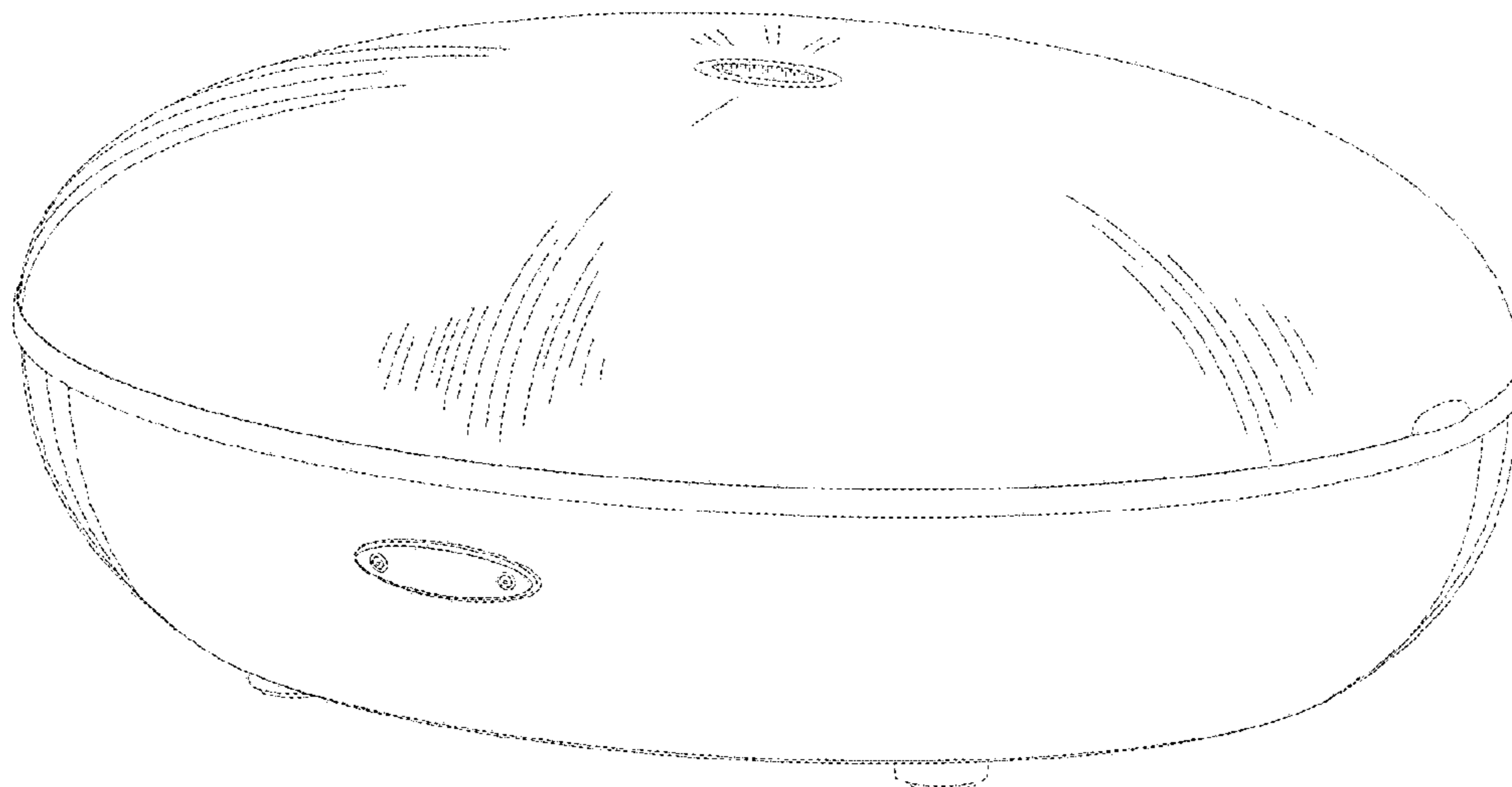
FIG. 5 is a right side view of the aroma diffuser of FIG. 1;

FIG. 6 is a top view of the aroma diffuser of FIG. 1; and,

FIG. 7 is a bottom view of the aroma diffuser of FIG. 1.

The broken lines in the drawings illustrate portions of the
aroma diffuser and form no part of the claimed design.

1 Claim, 7 Drawing Sheets



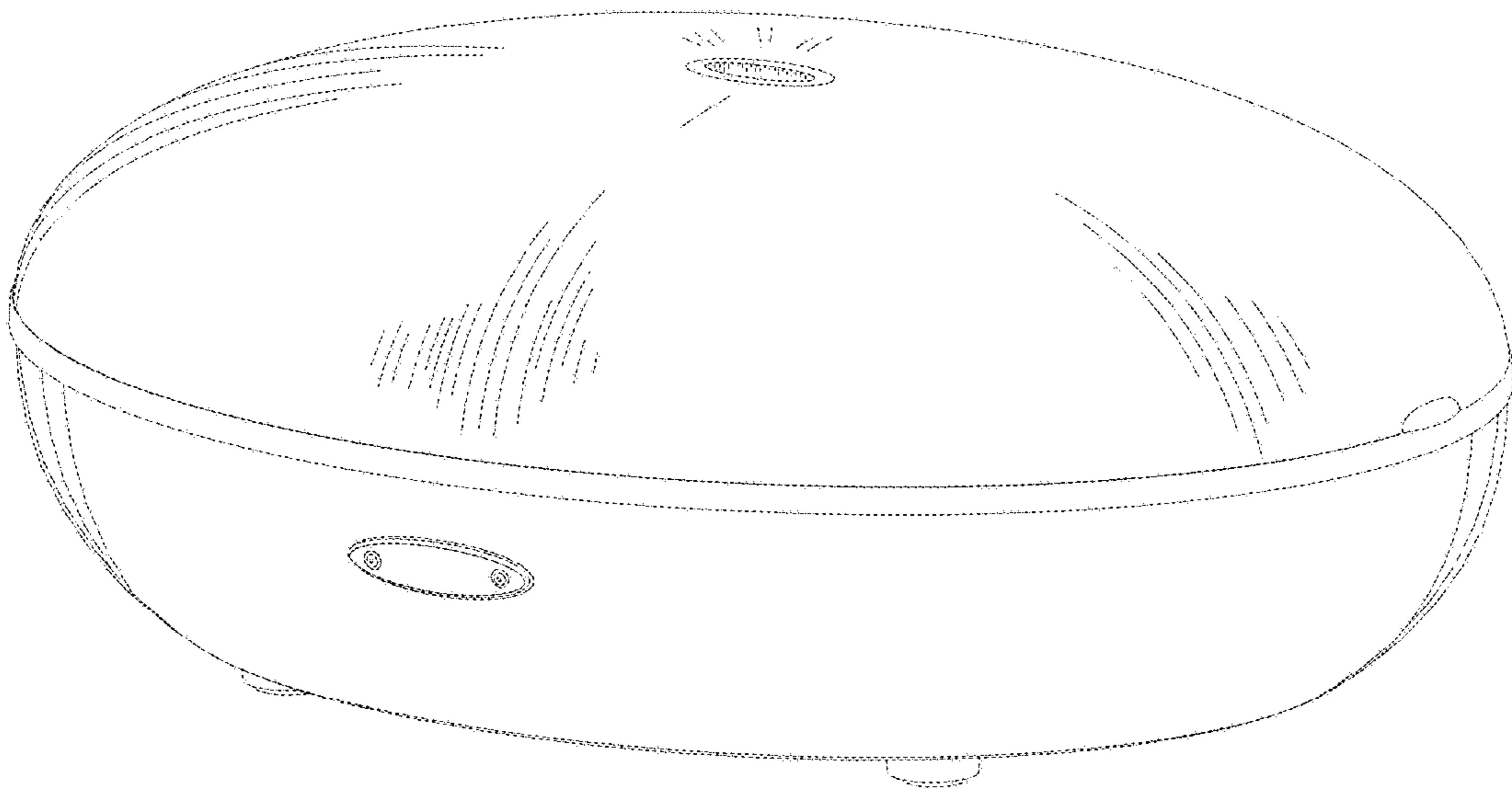


FIG. 1

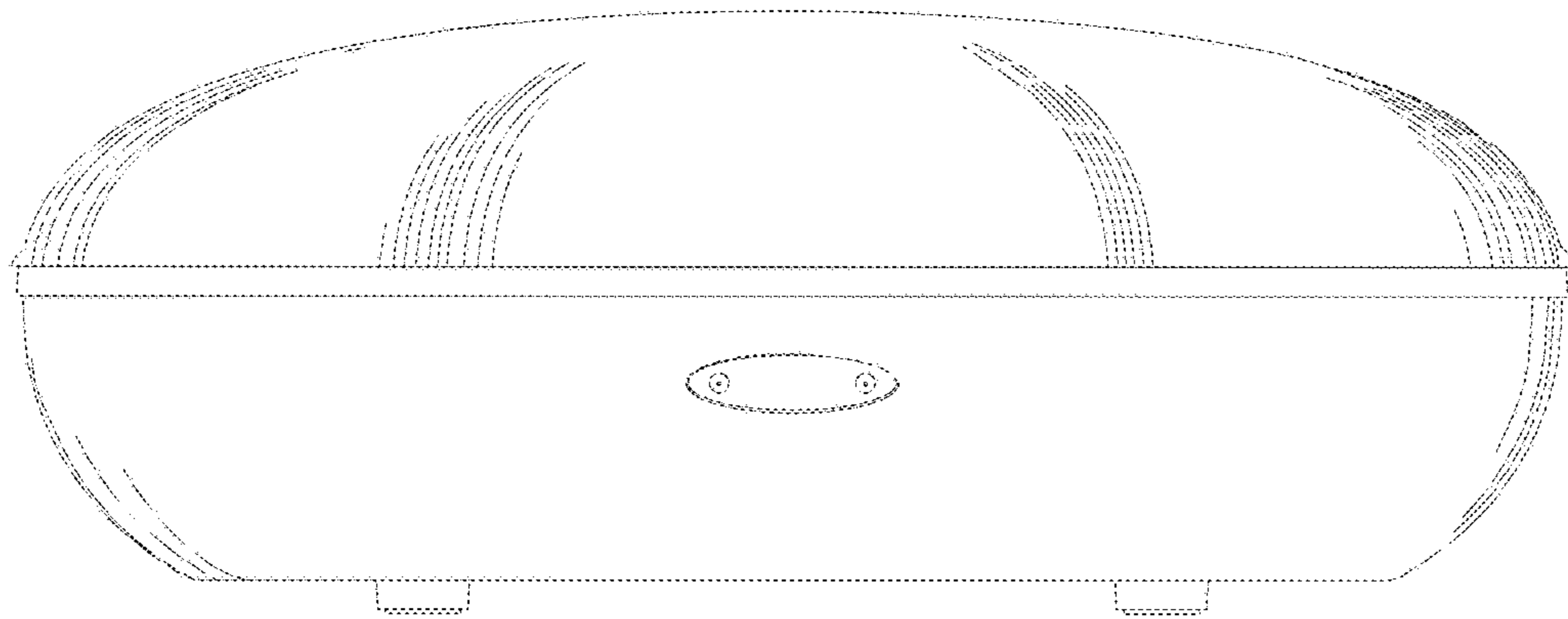


FIG. 2

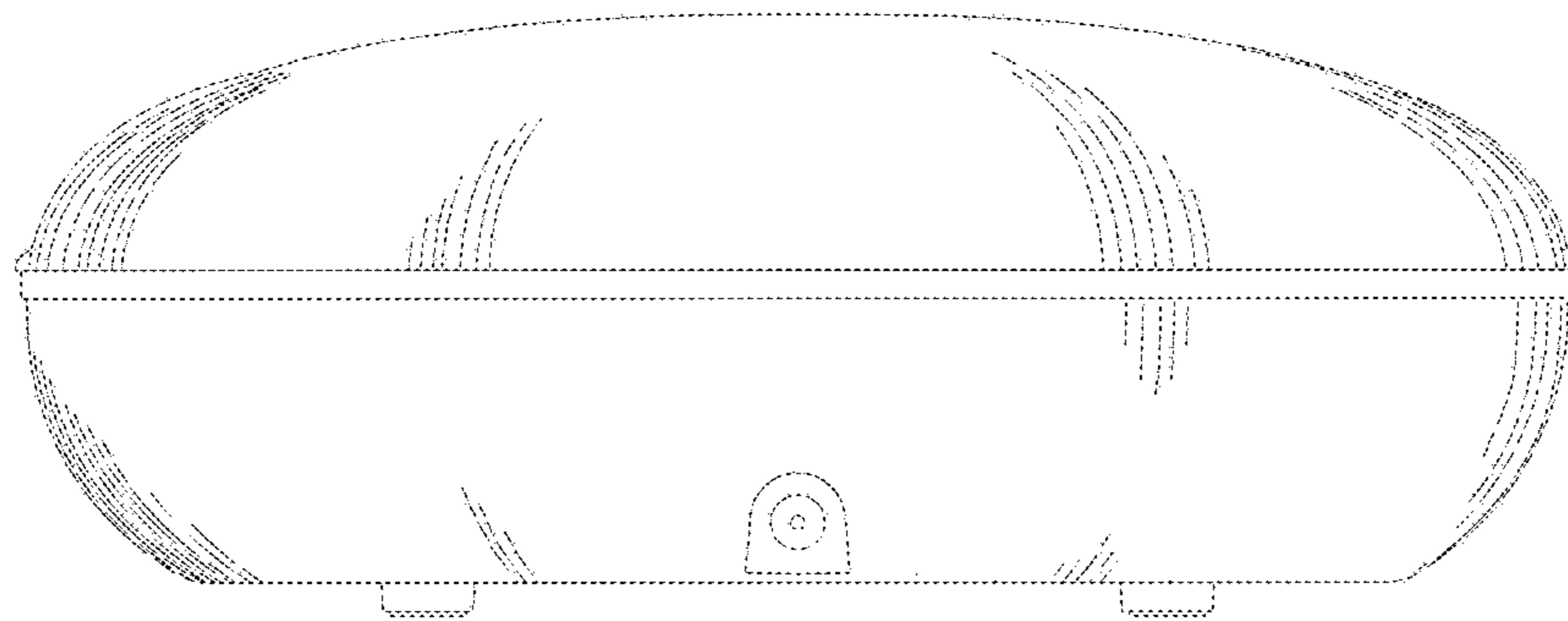


FIG. 3

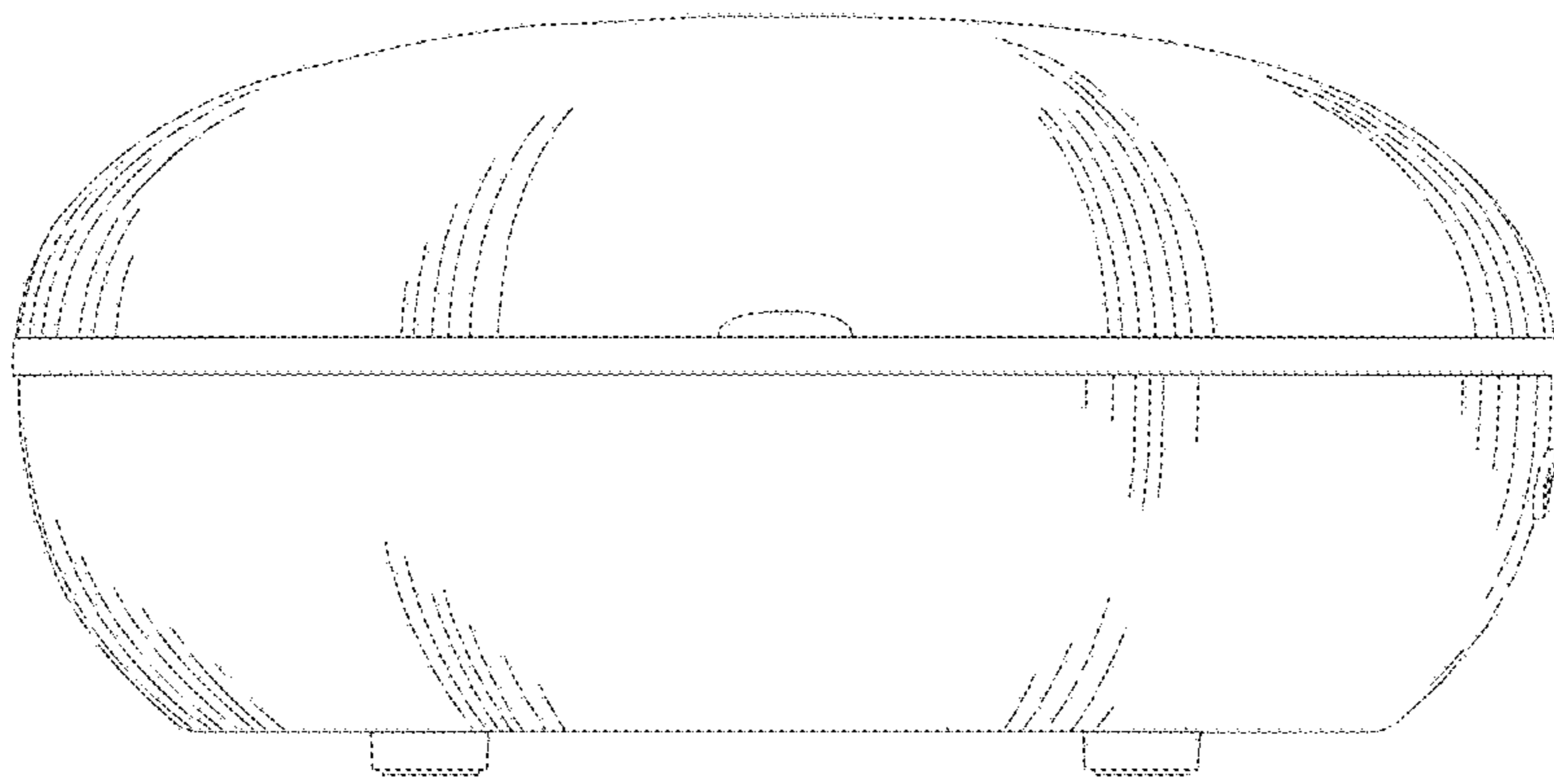


FIG. 4

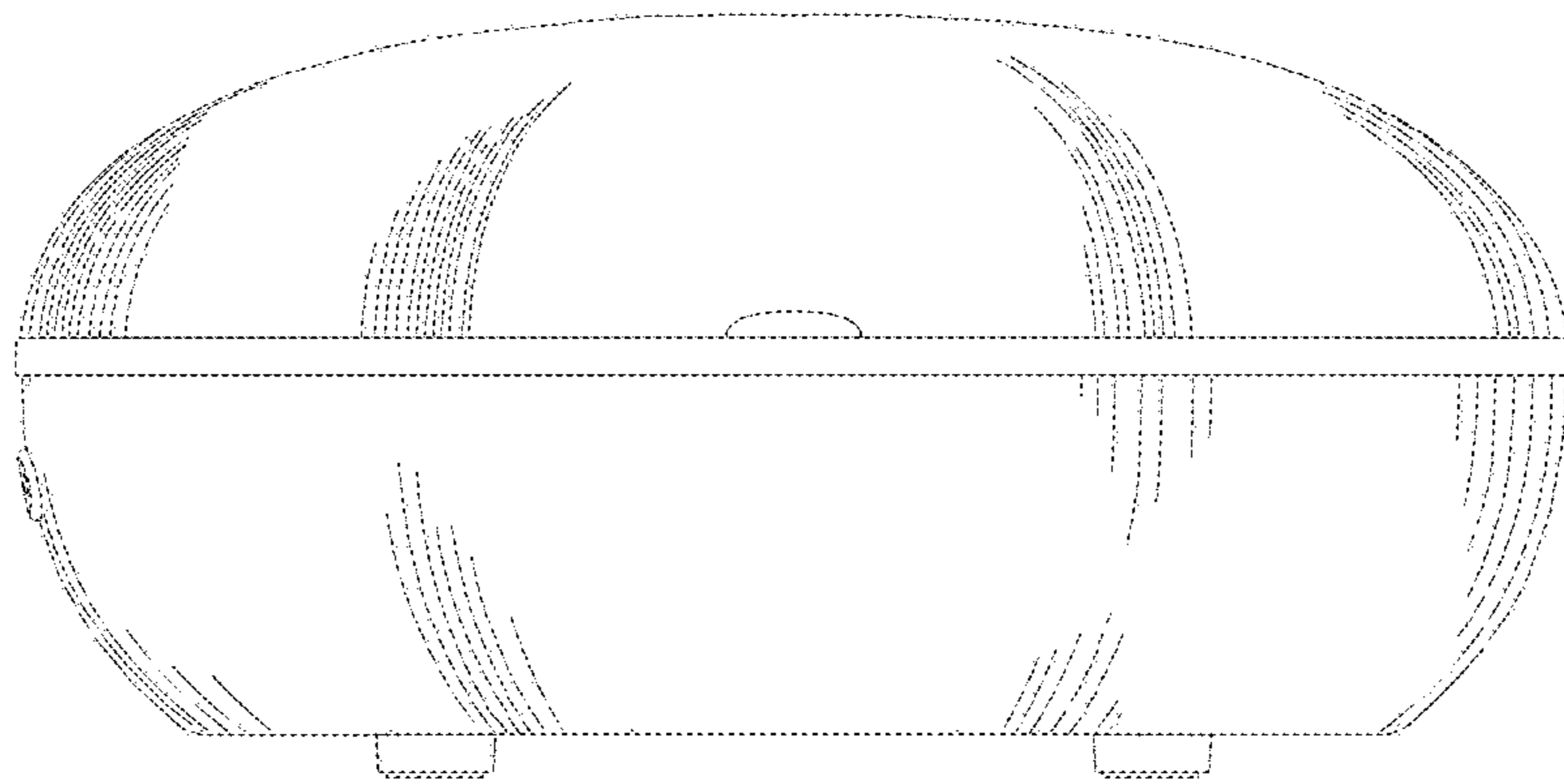


FIG. 5

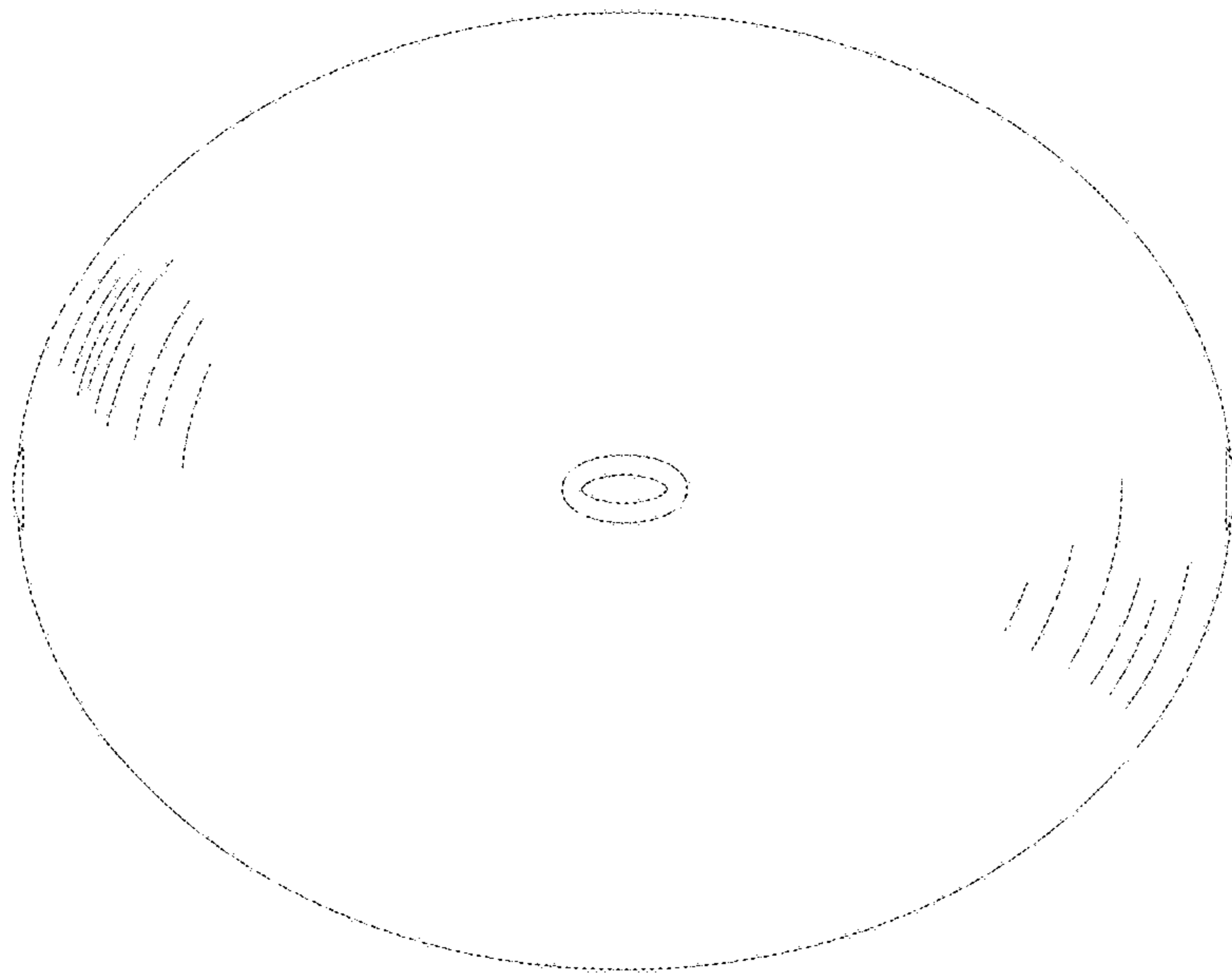


FIG. 6

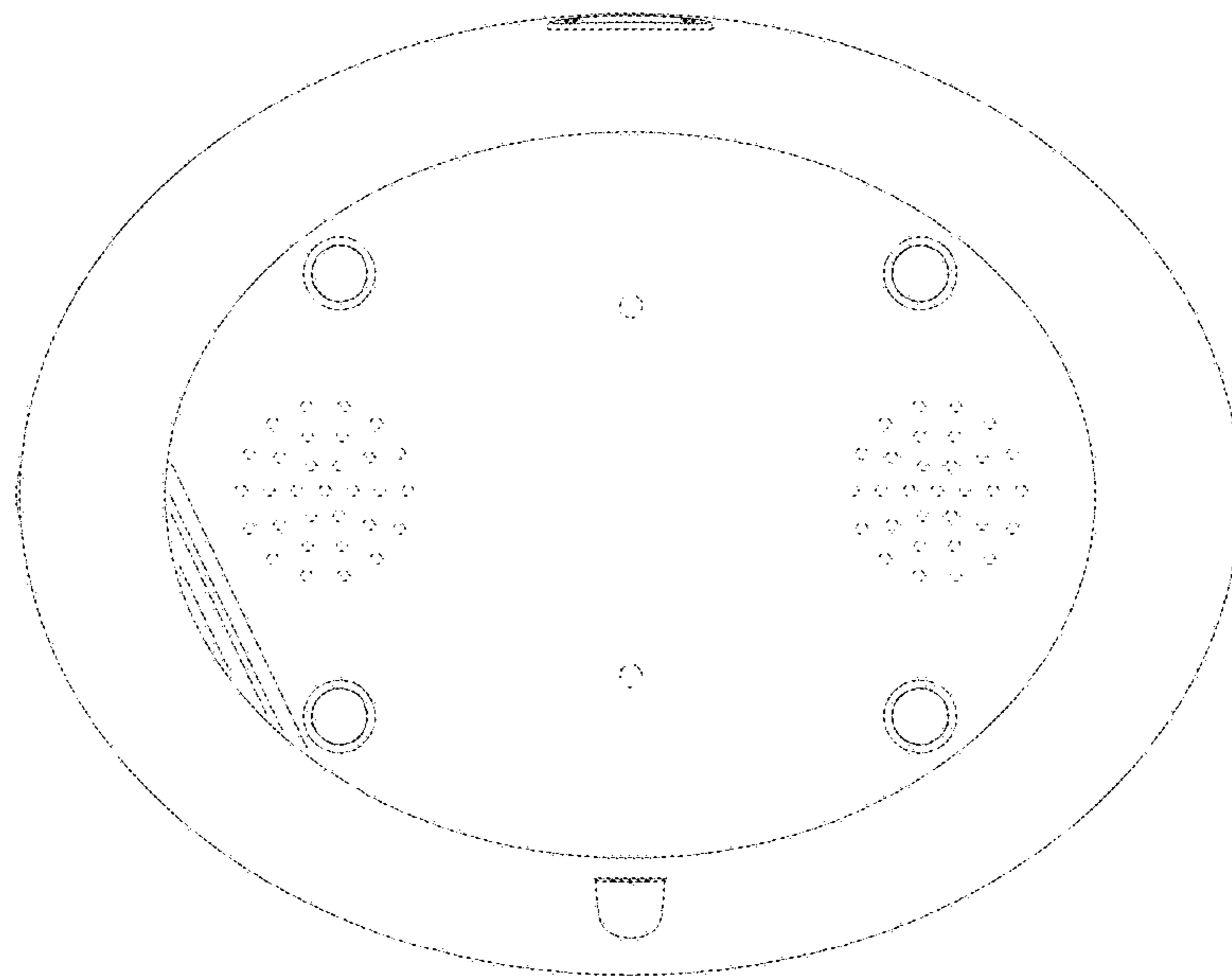


FIG. 7