



US00D847319S

(12) **United States Design Patent** (10) **Patent No.:** **US D847,319 S**
Yang et al. (45) **Date of Patent:** **** Apr. 30, 2019**

(54) **AIR CONDITIONER**

(56) **References Cited**

(71) Applicants: **GD MIDEA AIR-CONDITIONING EQUIPMENT CO., LTD.**, Foshan (CN); **MIDEA GROUP CO., LTD.**, Foshan (CN)

U.S. PATENT DOCUMENTS

| | | | | |
|--------------|---------|---------|-------|---------|
| D394,098 S * | 5/1998 | Cho | | D23/351 |
| D465,017 S * | 10/2002 | Choi | | D23/353 |
| D465,273 S * | 11/2002 | Yoo | | D23/353 |
| D465,563 S * | 11/2002 | Lee | | D23/353 |
| D474,533 S * | 5/2003 | Zhu | | D23/353 |
| D495,408 S * | 8/2004 | Song | | D23/353 |
| D523,944 S * | 6/2006 | Oh | | D23/353 |
| D534,261 S * | 12/2006 | Oh | | D23/353 |
| D534,638 S * | 1/2007 | Ryu | | D23/353 |
| D558,868 S * | 1/2008 | Choi | | D23/353 |
| D616,084 S * | 5/2010 | Lingrey | | D23/353 |
| D777,896 S * | 1/2017 | Rizzi | | D23/354 |
| D819,794 S * | 6/2018 | Yin | | D23/351 |
| D819,795 S * | 6/2018 | Yin | | D23/351 |
| D820,421 S * | 6/2018 | Yin | | D23/351 |
| D820,961 S * | 6/2018 | Yin | | D23/351 |

(72) Inventors: **Yongyi Yang**, Foshan (CN); **Lin Gan**, Foshan (CN)

(73) Assignees: **GD MIDEA AIR-CONDITIONING EQUIPMENT CO., LTD.**, Foshan (CN); **MIDEA GROUP CO., LTD.**, Foshan (CN)

(**) Term: **15 Years**

* cited by examiner

(21) Appl. No.: **29/626,351**

Primary Examiner — Natasha Vujcic

(22) Filed: **Nov. 16, 2017**

(74) *Attorney, Agent, or Firm* — Kilpatrick Townsend & Stockton, LLP

(30) **Foreign Application Priority Data**

May 16, 2017 (CN) 2017 3 0180641

(51) **LOC (11) Cl.** **23-04**

(52) **U.S. Cl.**

USPC **D23/351**

(58) **Field of Classification Search**

USPC D23/333, 335, 341, 342, 351, 353, 354, D23/355, 356, 359, 364, 365, 370, 385, D23/386, 388, 393

CPC F24F 1/00; F24F 1/0007; F24F 1/02; F24F 1/08; F24F 1/42; F24F 1/56; F24F 1/60; F24F 3/044; F24F 3/048; F24F 3/16; F24F 7/00; F24F 7/04; F24F 12/001; F24F 12/006

See application file for complete search history.

(57) **CLAIM**

The ornamental design for an air conditioner, as shown and described.

DESCRIPTION

FIG. 1 is a perspective view of an air conditioner, showing our new design;

FIG. 2 is a front view thereof;

FIG. 3 is a back view thereof;

FIG. 4 is a right side view thereof;

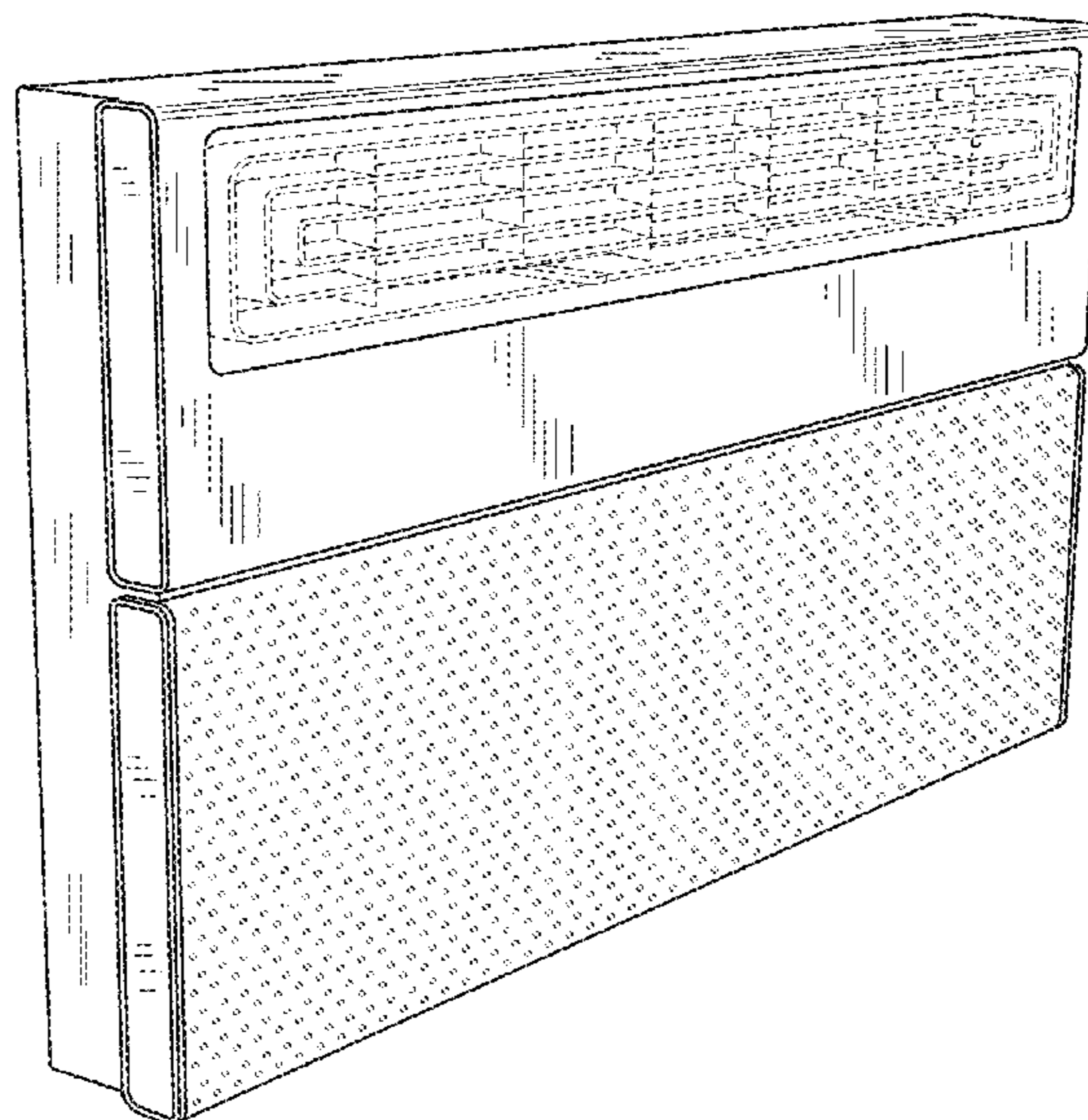
FIG. 5 is a left side view thereof;

FIG. 6 is a top view thereof; and,

FIG. 7 is a bottom view thereof.

The broken lines in the drawings illustrate portions of the air conditioner which form no part of the claimed design.

1 Claim, 5 Drawing Sheets



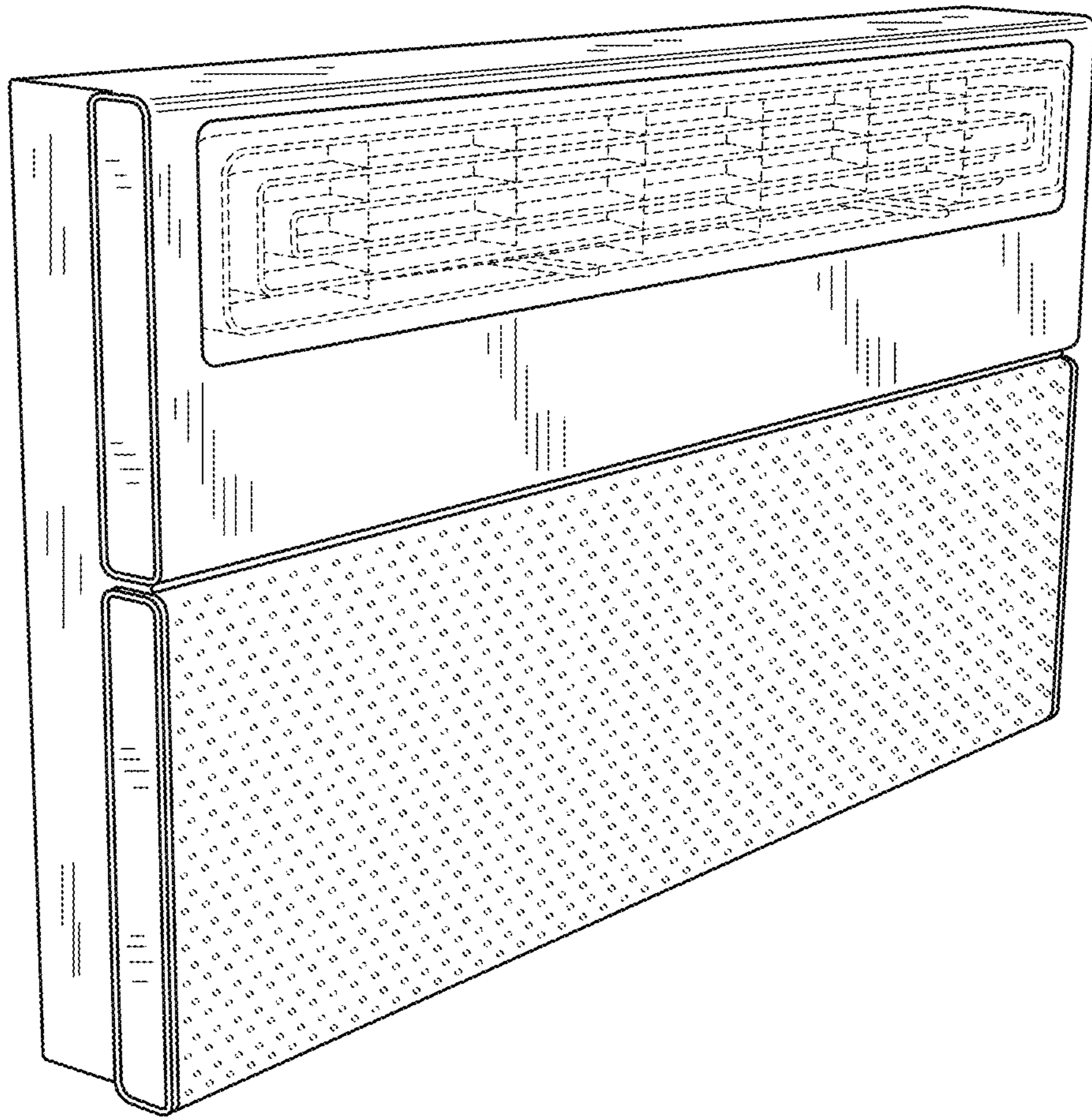


FIG.1

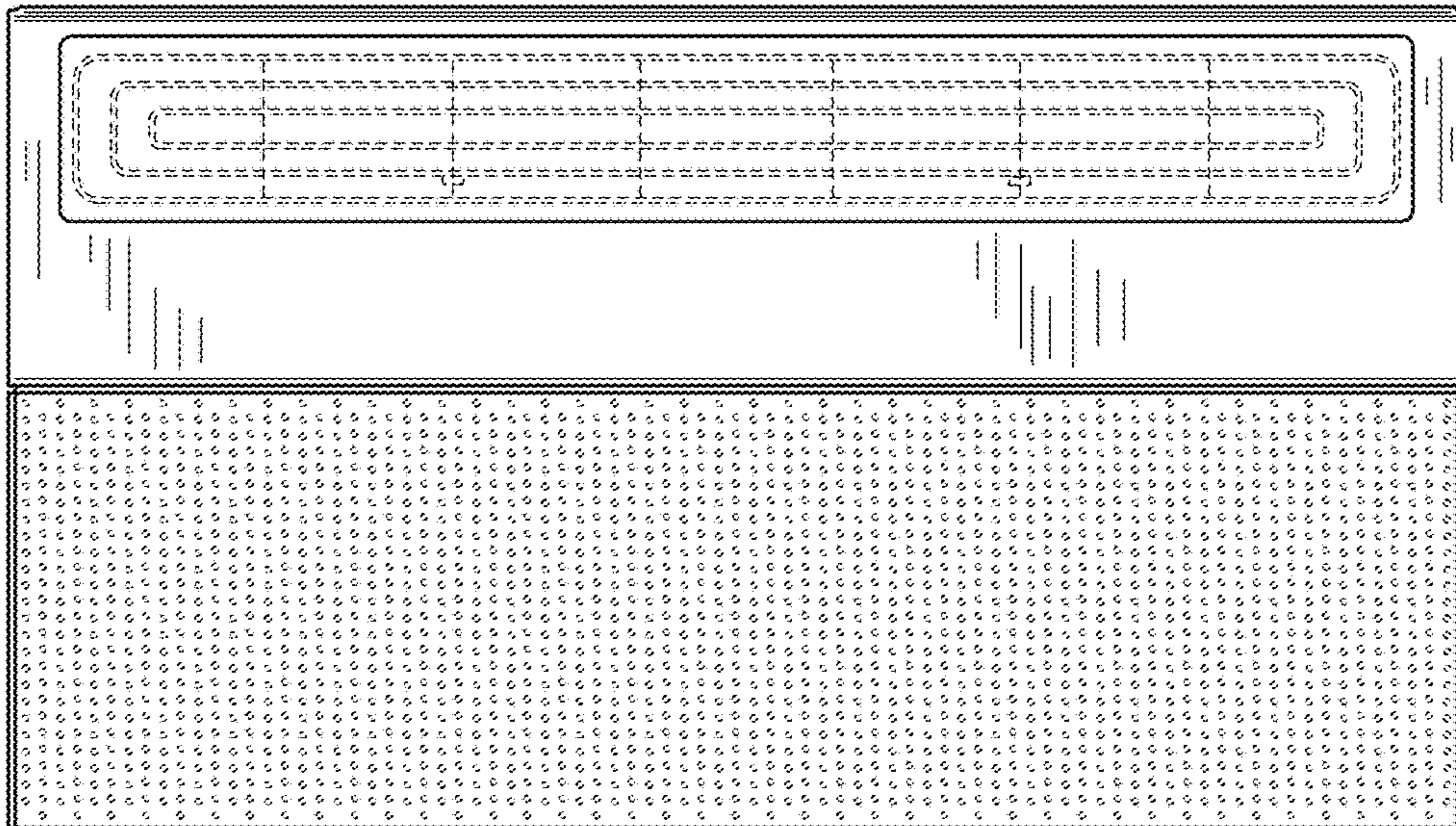


FIG.2



FIG.3

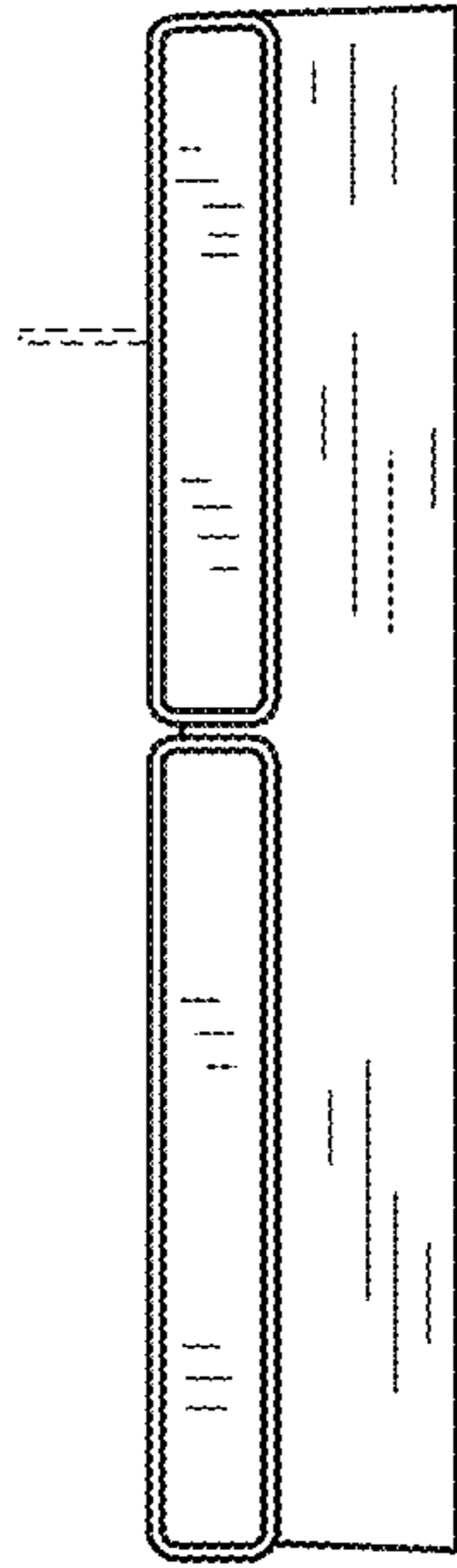


FIG. 4

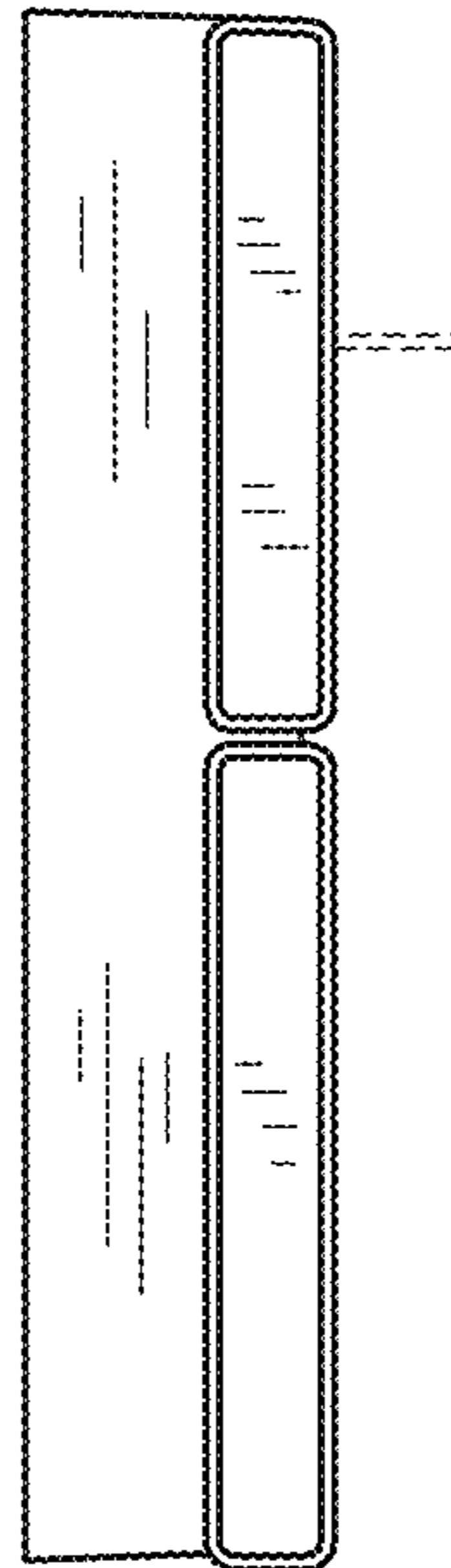


FIG. 5

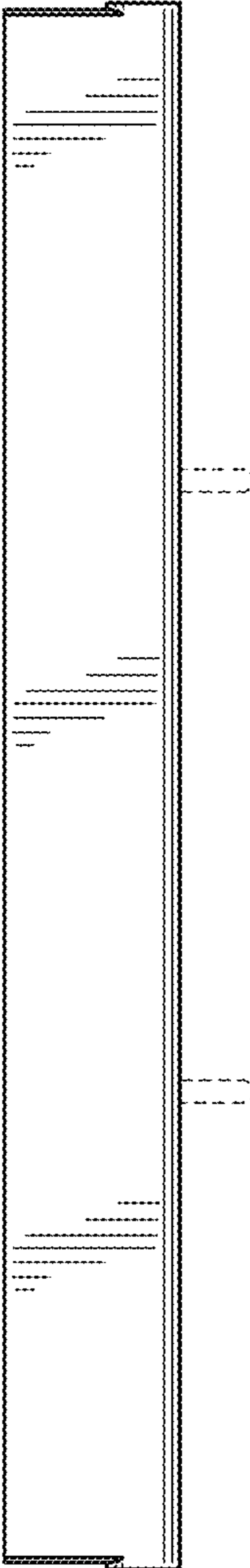


FIG. 6

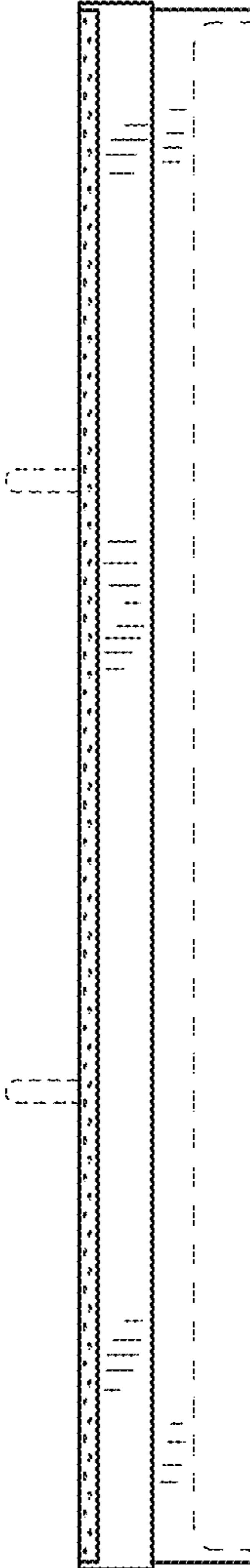


FIG. 7