



US00D847313S

(12) **United States Design Patent**
Shen

(10) **Patent No.:** **US D847,313 S**

(45) **Date of Patent:** **** Apr. 30, 2019**

(54) **DESKTOP MINI AIR CONDITIONER**
(71) Applicant: **SHENZHEN GELUNBU BAIHUO CO., LTD**, Shenzhen, Guangdong (CN)
(72) Inventor: **Cong Shen**, Shenzhen (CN)
(73) Assignee: **SHENZHEN GELUNBU BAIHUO CO., LTD**, Shenzhen, Guangdong Province (CN)

D547,849 S * 7/2007 Francisquini D23/351
D558,317 S * 12/2007 Francisquini D23/351
D558,867 S * 1/2008 Chun D23/333
D616,081 S * 5/2010 Chiu D23/333
D616,973 S * 6/2010 Maegawa D23/342
D660,947 S * 5/2012 Varma D23/333
D725,758 S * 3/2015 Kim D23/333
D739,927 S * 9/2015 Presser D23/332
D746,426 S * 12/2015 Zhao D23/359
D786,415 S * 5/2017 Kim D23/359
D809,639 S * 2/2018 Chiasson D23/351

(**) Term: **15 Years**

* cited by examiner

(21) Appl. No.: **29/618,939**

Primary Examiner — Natasha Vujcic

(22) Filed: **Sep. 26, 2017**

(74) *Attorney, Agent, or Firm* — Li & Cai Intellectual Property (USA) Office

(51) **LOC (11) Cl.** **23-04**

(52) **U.S. Cl.**
USPC **D23/333**

(57) **CLAIM**

(58) **Field of Classification Search**
USPC D23/333, 335, 341, 342, 351, 353, 354,
D23/355, 356, 359, 364, 365, 370, 385,
D23/386, 388, 393

The ornamental design for a “desktop mini air conditioner,” as shown and described.

CPC F24F 1/00; F24F 1/0007; F24F 1/02; F24F 1/08; F24F 1/42; F24F 1/56; F24F 1/60; F24F 3/044; F24F 3/048; F24F 3/16; F24F 7/00; F24F 7/04; F24F 12/001; F24F 12/006

DESCRIPTION

See application file for complete search history.

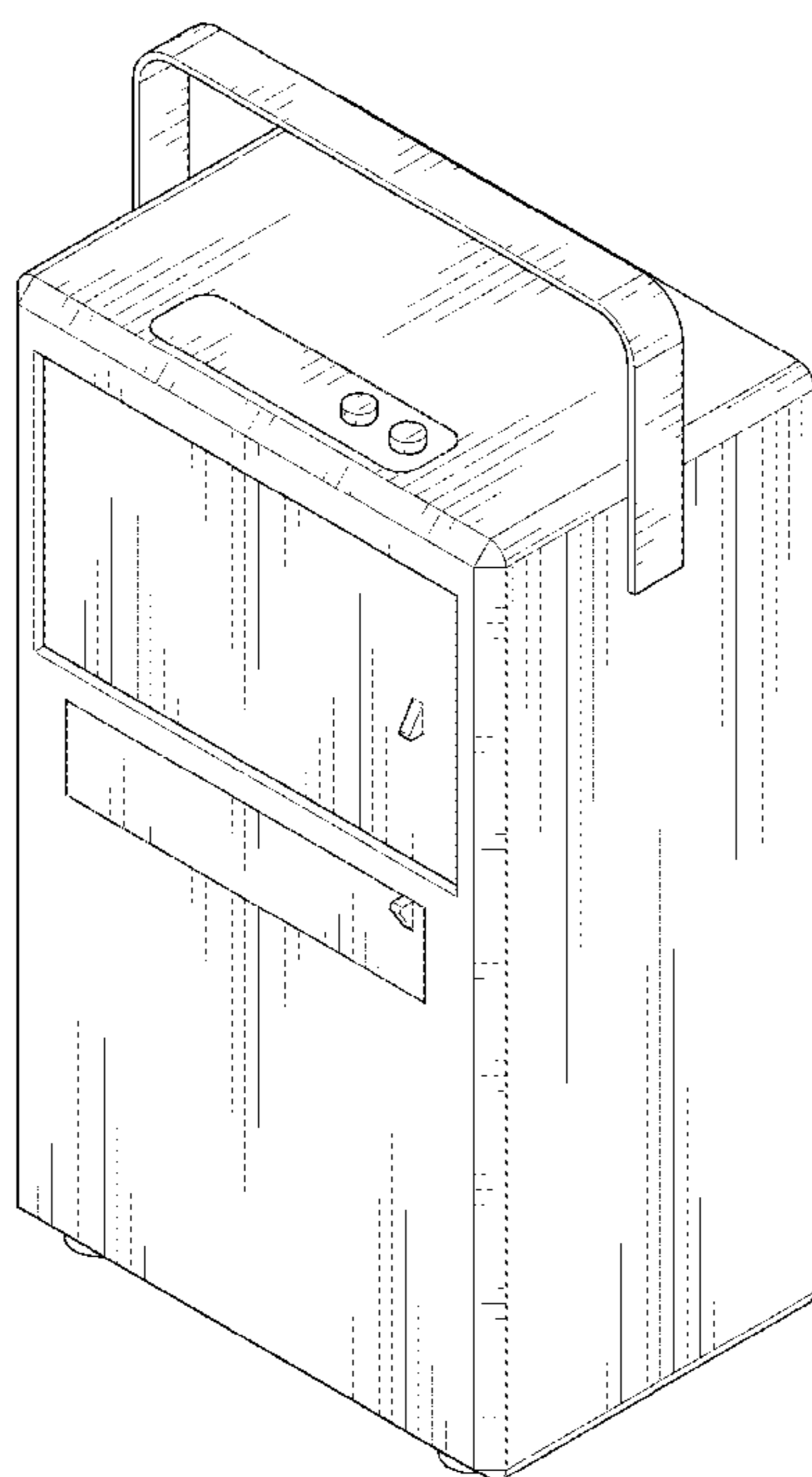
FIG. 1 is a top, front and right perspective view of a desktop mini air conditioner showing our new design;
FIG. 2 is a front elevation view thereof;
FIG. 3 is a rear elevation view thereof;
FIG. 4 is a left side elevation view thereof;
FIG. 5 is a right side elevation view thereof;
FIG. 6 is a top plan view thereof;
FIG. 7 is a bottom plan view thereof; and,
FIG. 8 is a bottom, rear and left perspective view thereof.

(56) **References Cited**

U.S. PATENT DOCUMENTS

D278,847 S * 5/1985 Hoyle D23/351
RE34,867 E * 2/1995 Yamazaki F24F 1/025
D23/333

1 Claim, 7 Drawing Sheets



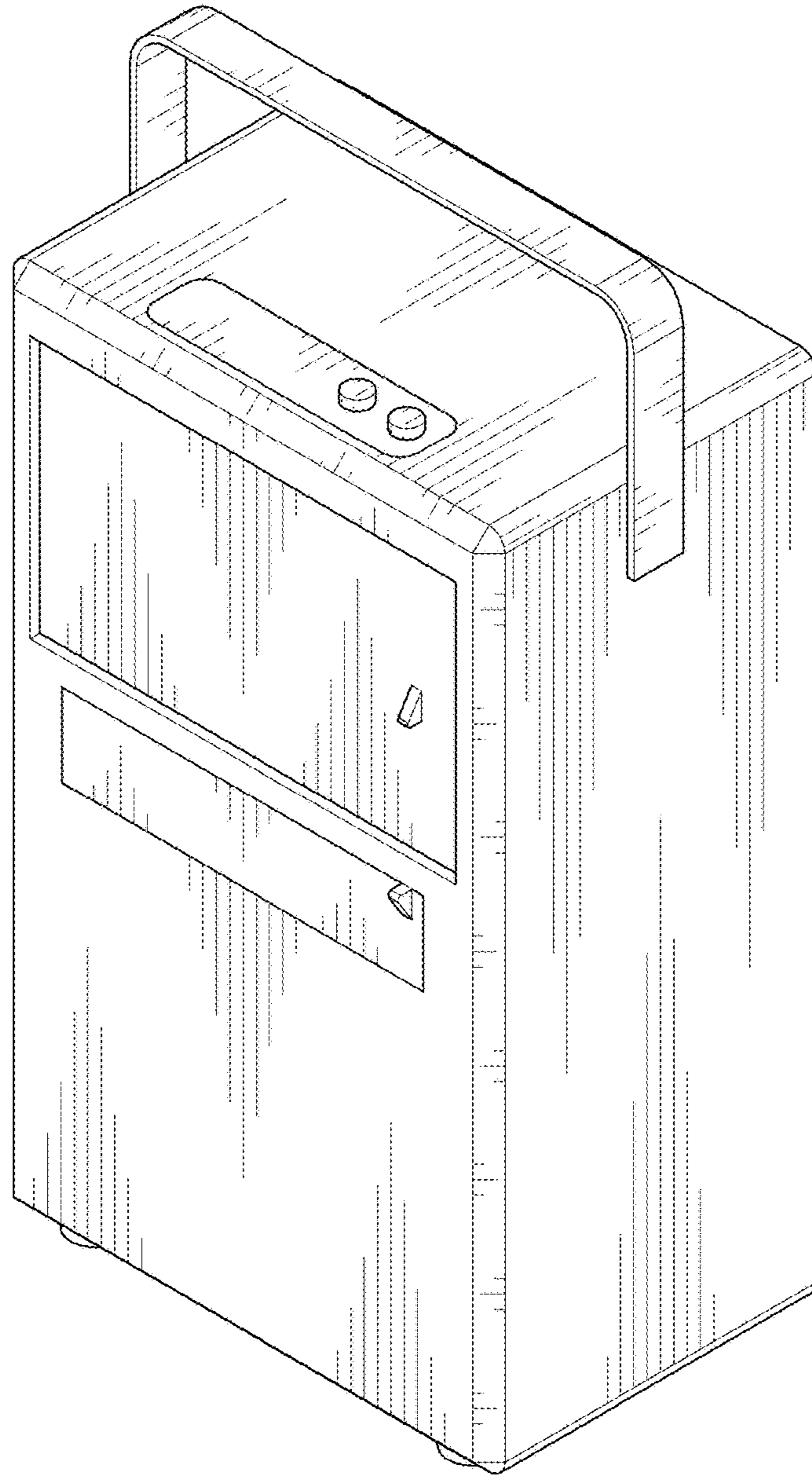


FIG. 1

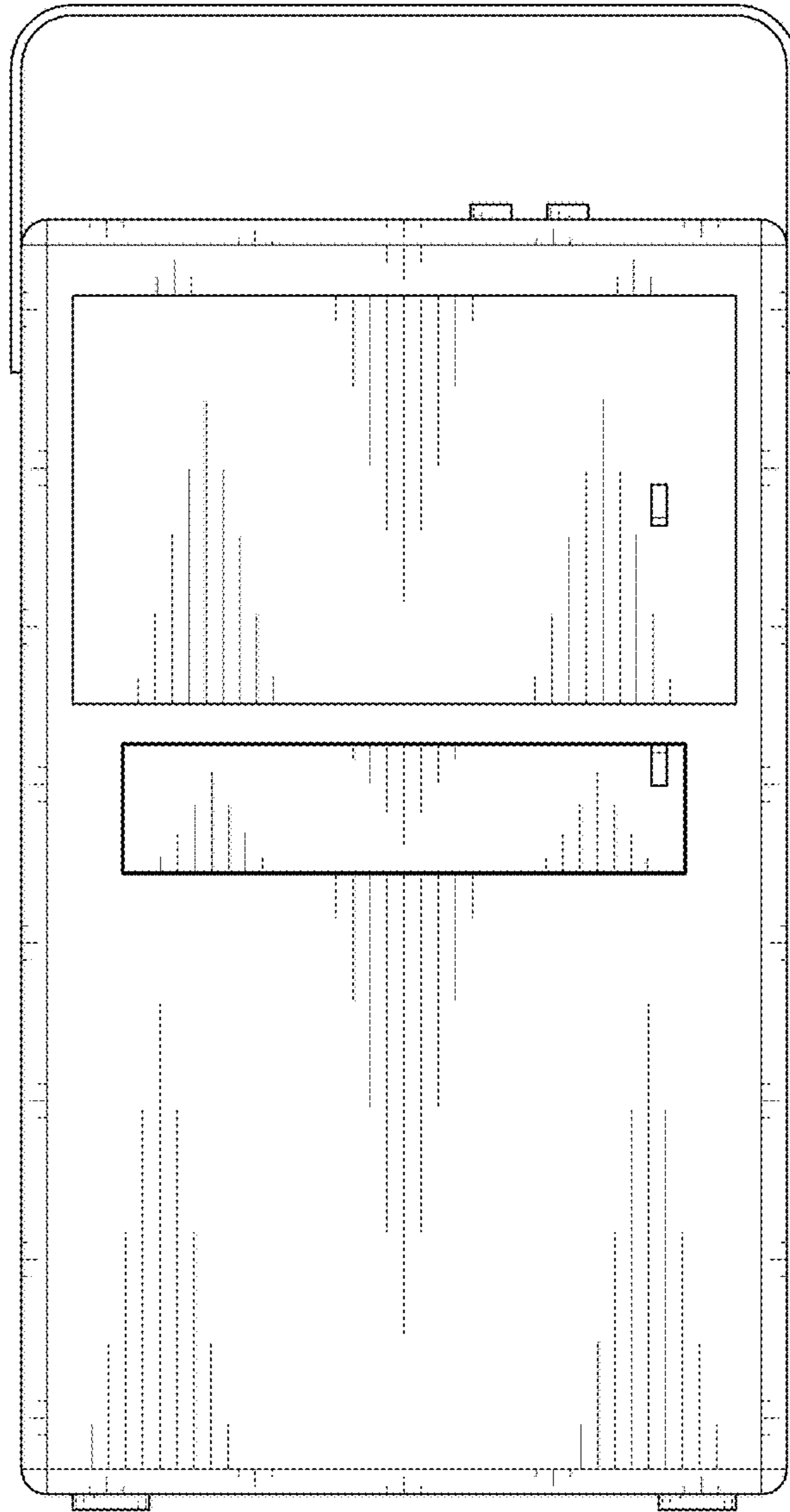


FIG. 2

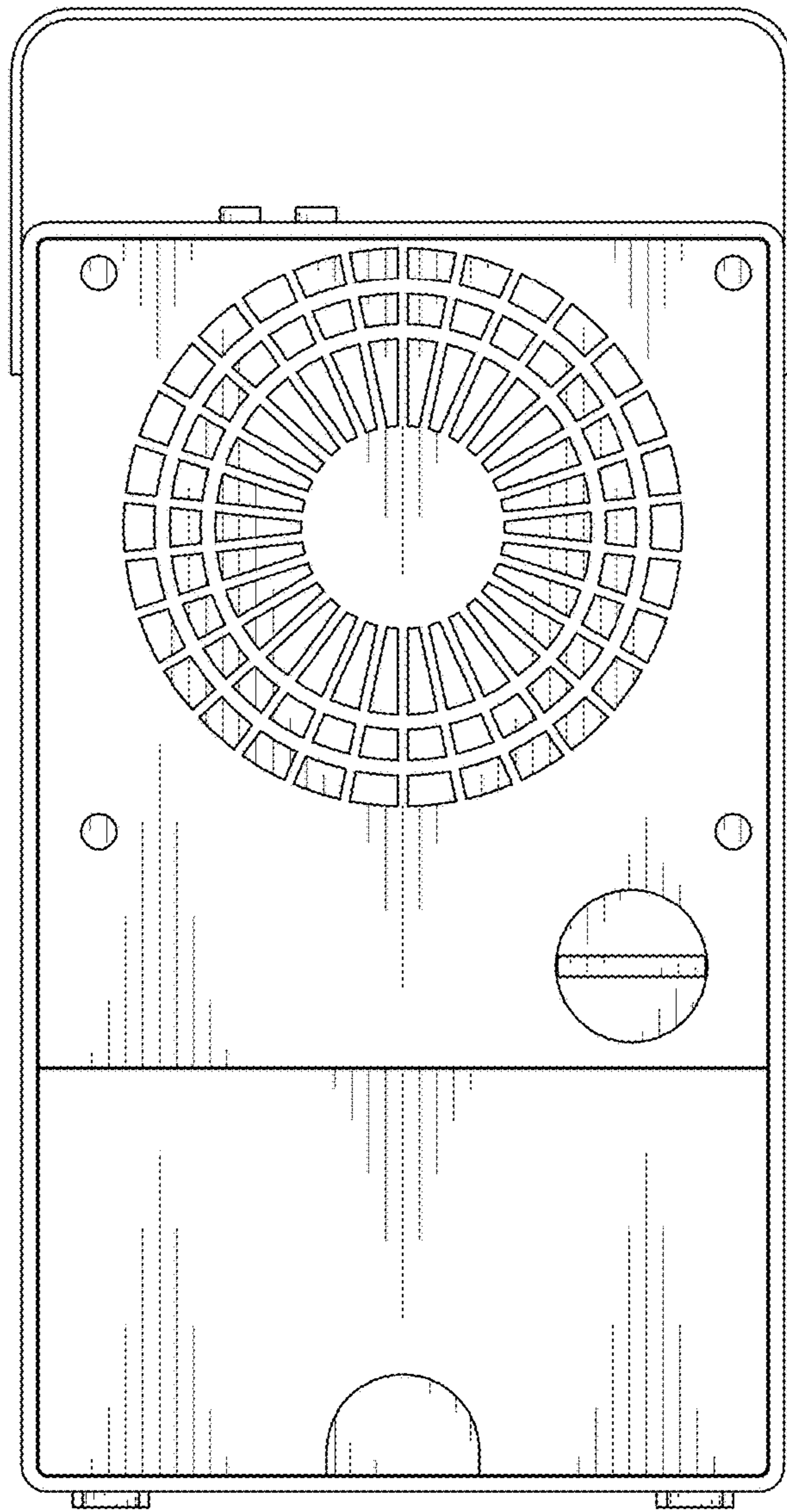


FIG. 3

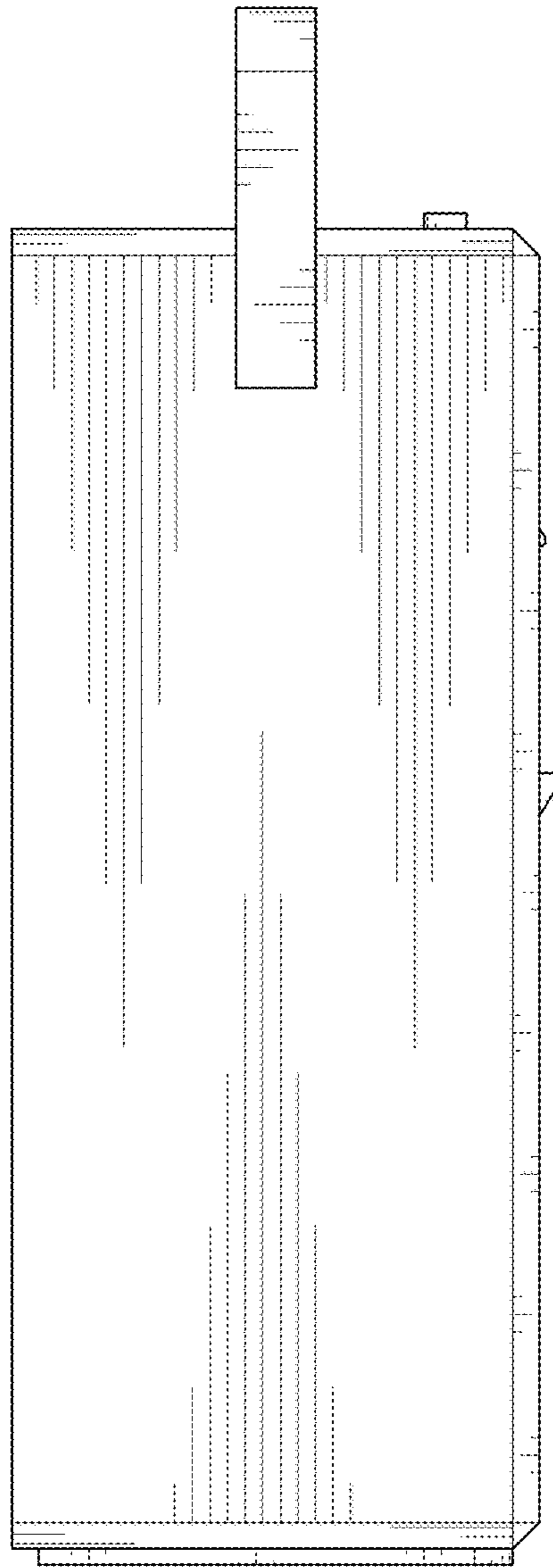


FIG. 4

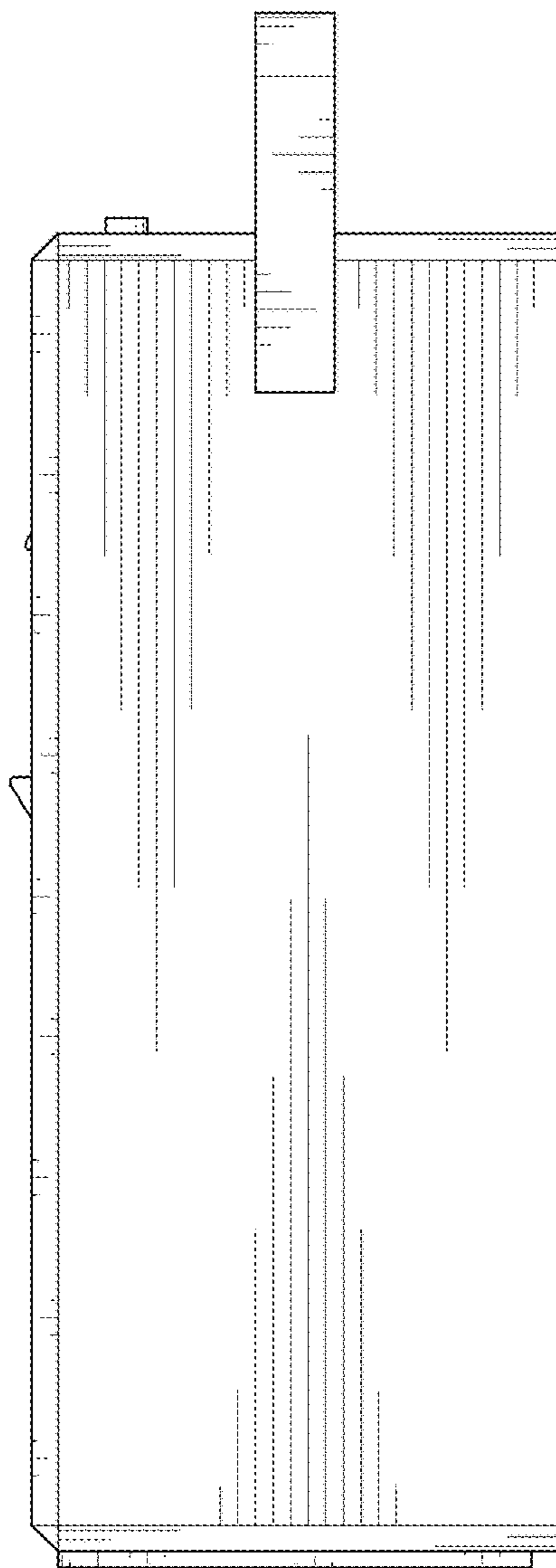


FIG. 5

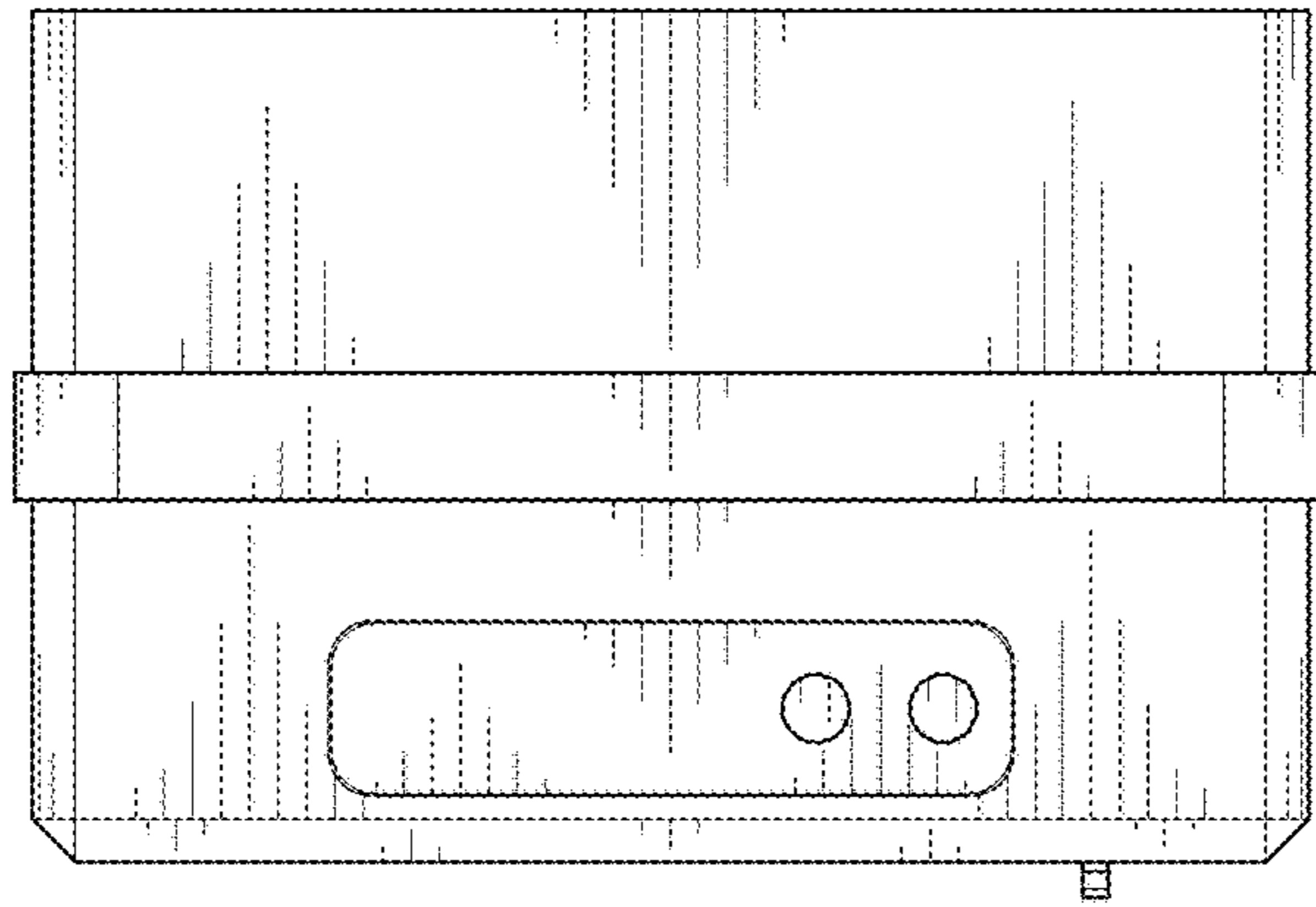


FIG. 6

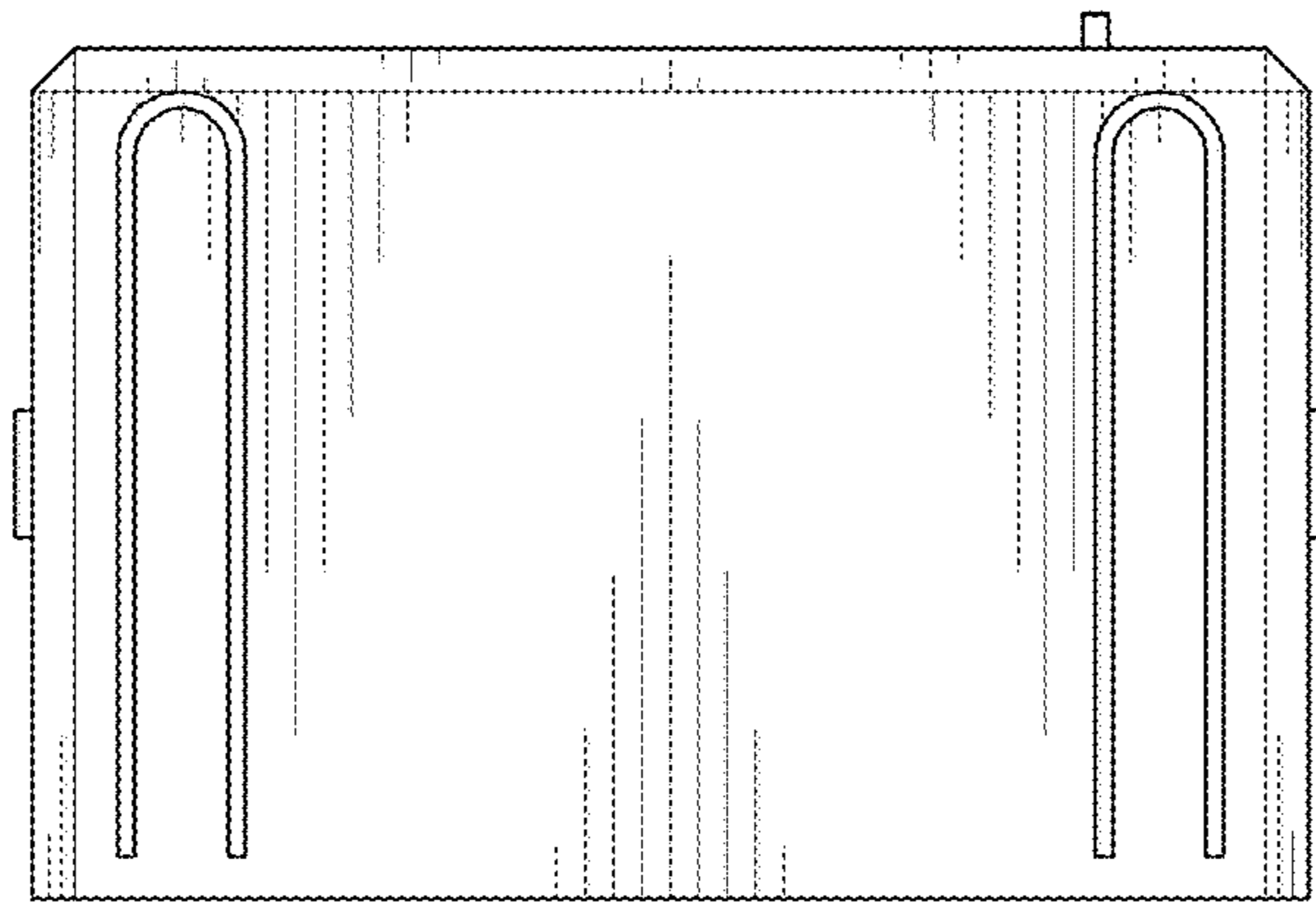


FIG. 7

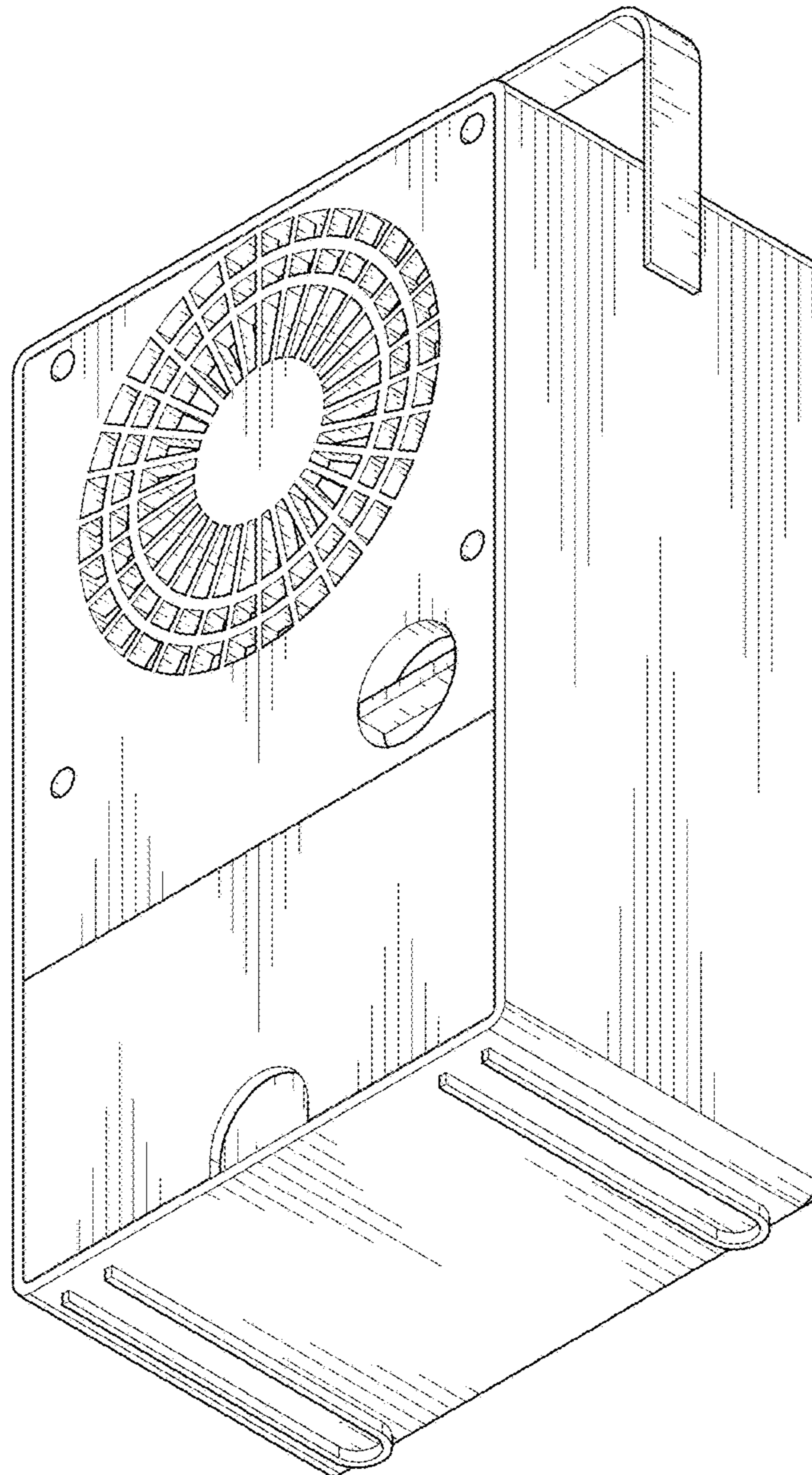


FIG. 8