



US00D847312S

(12) **United States Design Patent** (10) **Patent No.:** **US D847,312 S**
Bowen et al. (45) **Date of Patent:** **** Apr. 30, 2019**

(54) **BATHTUB**

(71) Applicant: **Kohler Co.**, Kohler, WI (US)

(72) Inventors: **Stephen J. Bowen**, Sheboygan, WI (US); **Thomas E. Lilly**, Kohler, WI (US)

(73) Assignee: **KOHLER CO.**, Kohler, WI (US)

(**) Term: **15 Years**

(21) Appl. No.: **29/658,302**

(22) Filed: **Jul. 30, 2018**

Related U.S. Application Data

(62) Division of application No. 29/608,257, filed on Jun. 20, 2017, now Pat. No. Des. 827,791.

(51) **LOC (11) Cl.** **23-01**

(52) **U.S. Cl.**
USPC **D23/305**

(58) **Field of Classification Search**
USPC D23/277, 280.1, 275, 303-305
See application file for complete search history.

(56) **References Cited**

U.S. PATENT DOCUMENTS

D32,411 S	3/1900	Scott	
D32,713 S	5/1900	Bowman	
D444,861 S	7/2001	Smith	
D654,991 S	2/2012	Oliveira	
D694,866 S	12/2013	Quigley	
D726,292 S *	4/2015	Spangler	D23/277
D794,168 S	8/2017	Starck	
D827,791 S *	9/2018	Bowen	D23/277

* cited by examiner

Primary Examiner — Robert A Delehanty

(74) *Attorney, Agent, or Firm* — Foley & Lardner LLP

(57) **CLAIM**

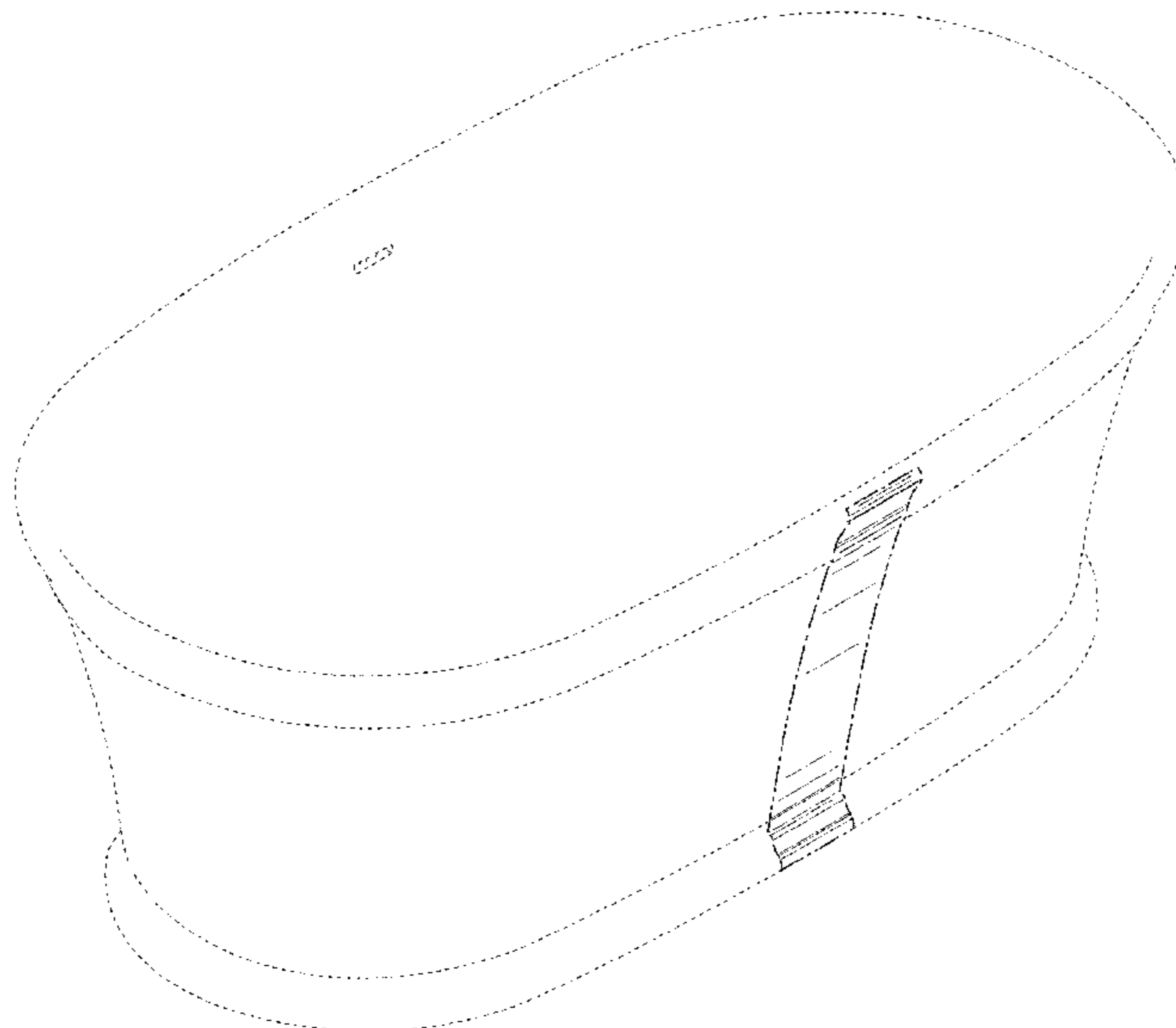
We claim the ornamental design for a bathtub, as shown and described.

DESCRIPTION

FIG. 1 is a top, front, left, perspective view of an embodiment of the claimed design;
FIG. 2 is a front elevation view thereof;
FIG. 3 is a rear elevation view thereof;
FIG. 4 is a left side elevation view thereof;
FIG. 5 is a right side elevation view thereof;
FIG. 6 is a top plan view thereof;
FIG. 7 is a bottom plan view thereof;
FIG. 8 is a cross-sectional view thereof taken across line 8-8 of FIG. 6; and,
FIG. 9 is a cross-sectional view thereof taken across line 9-9 of FIG. 6.

The ornamental design which is claimed is shown in solid lines in the drawings. The broken lines in the drawings are for illustrative purposes only and form no part of the claimed design. Broken lines formed by equal length dashes show unclaimed subject matter. Broken lines formed by unequal length dashes (i.e., dash-dot) define bounds of the claimed design. Cross-hatching provided on cut surfaces is for illustrative purposes only and forms no part of the claimed design.

1 Claim, 9 Drawing Sheets



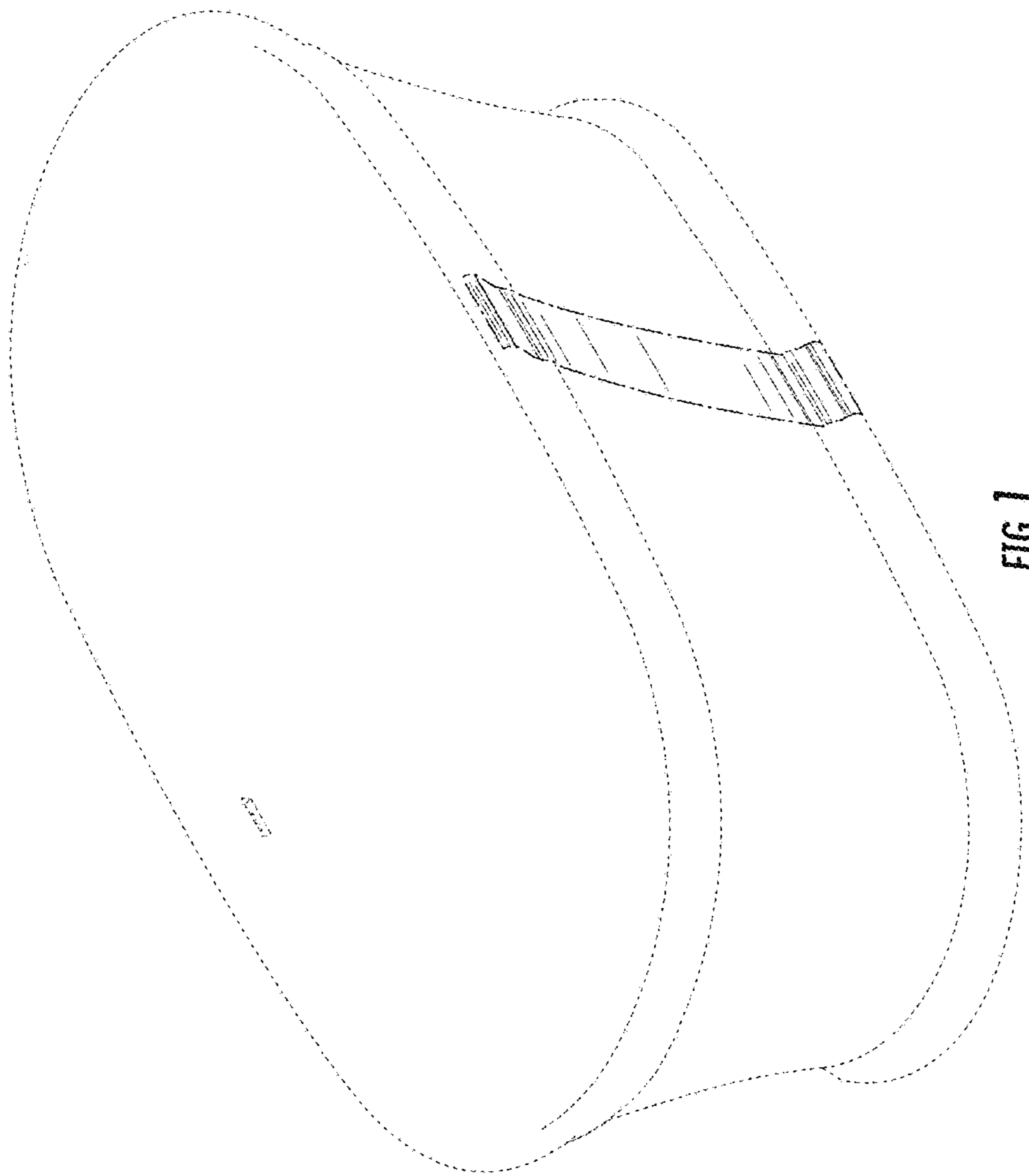


FIG. 1

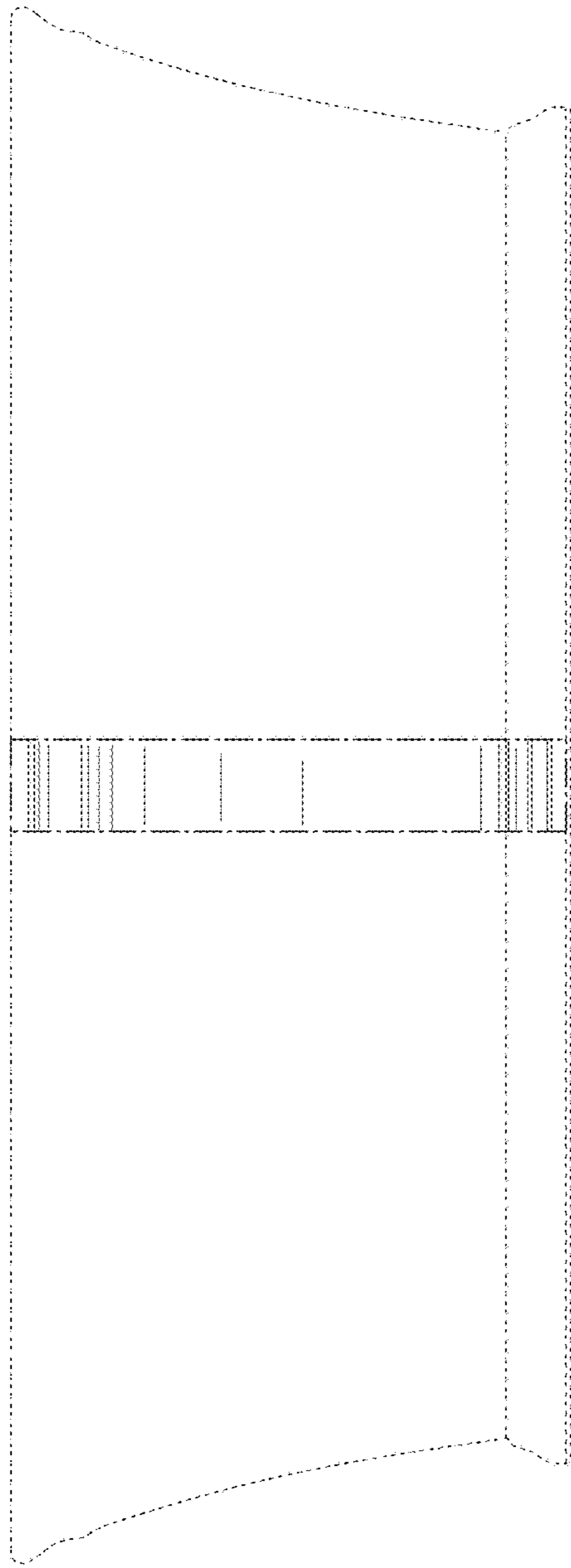


FIG. 2



FIG. 3

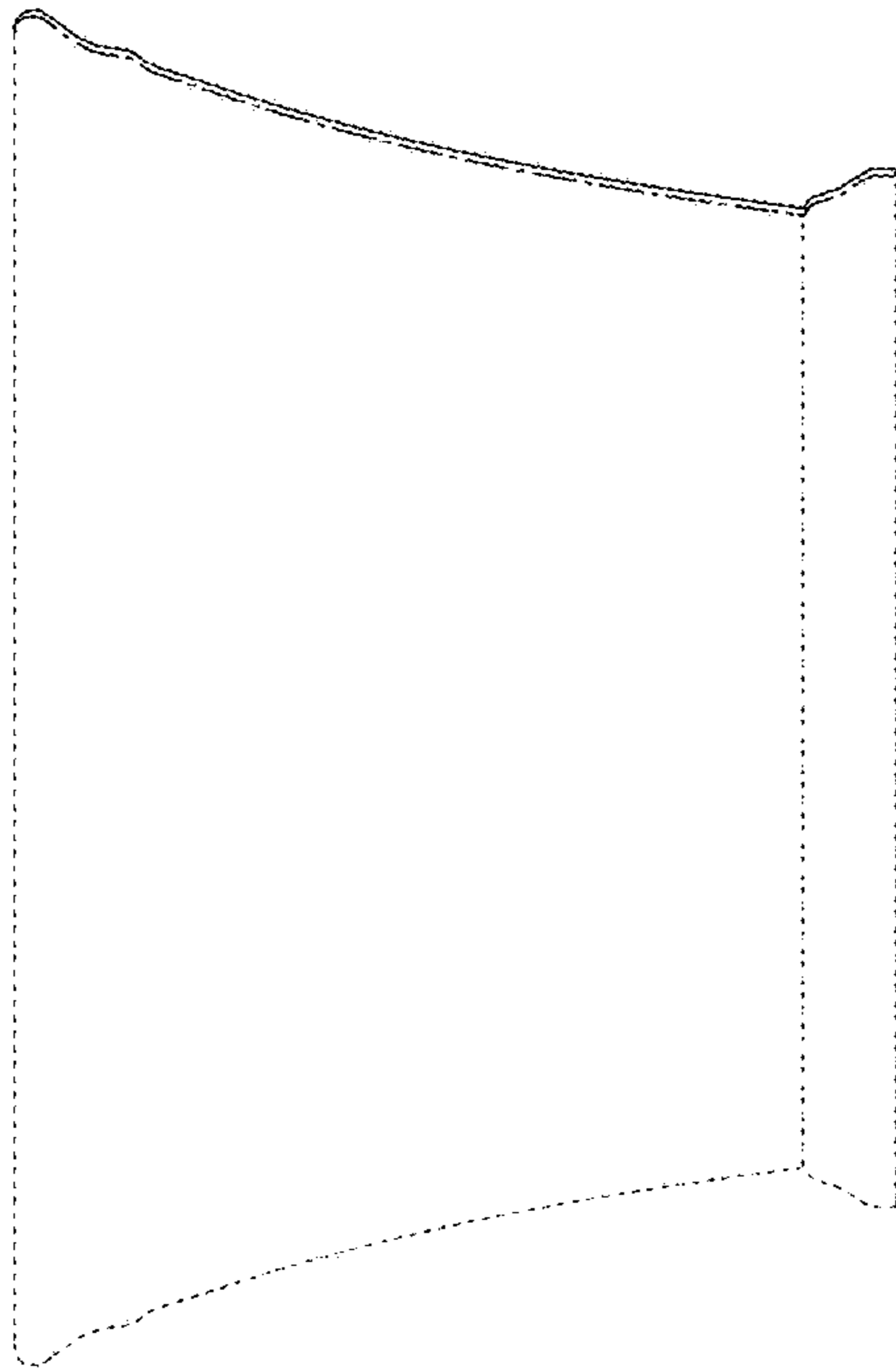


FIG. 4



FIG. 5

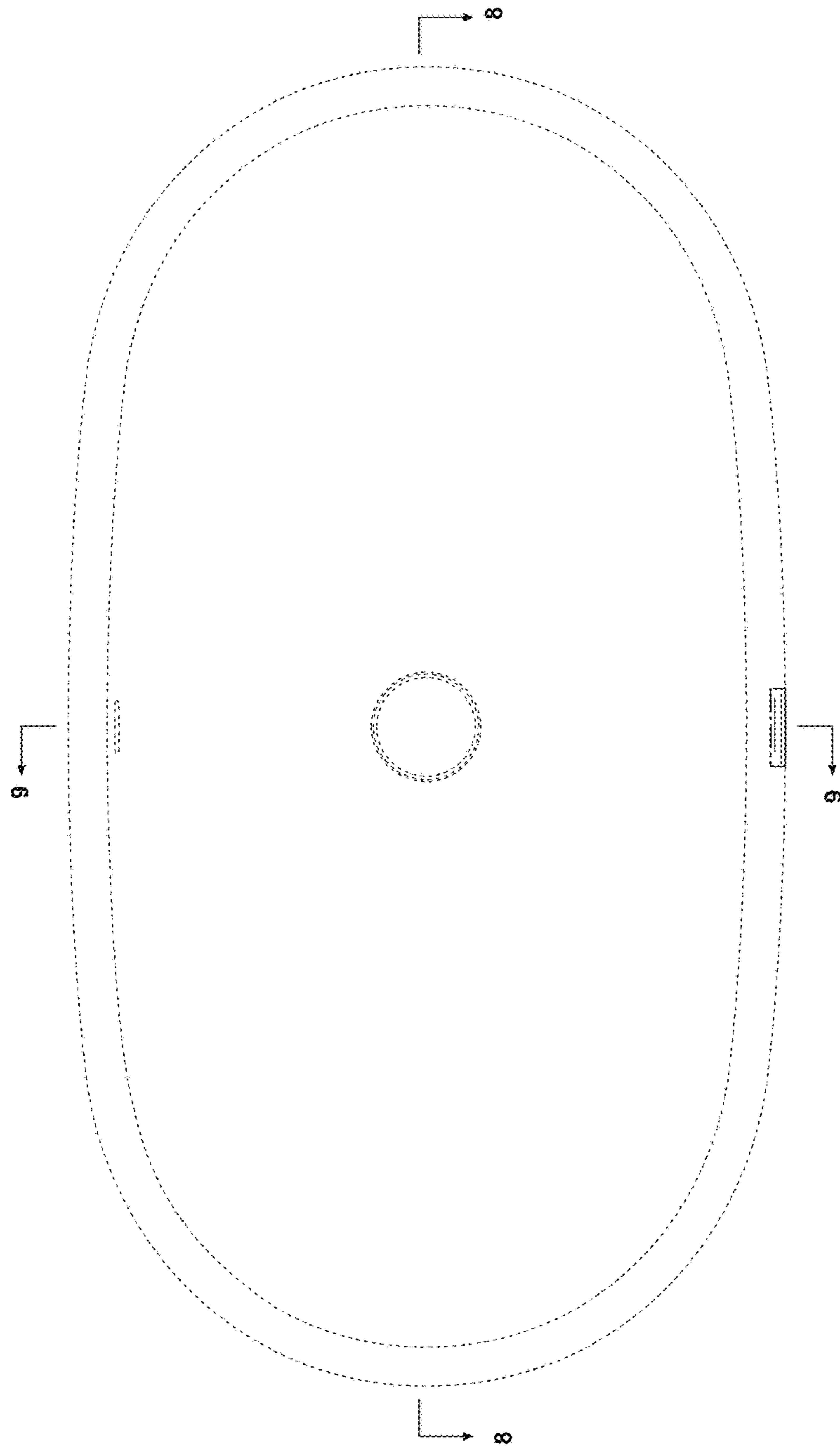


FIG. 6

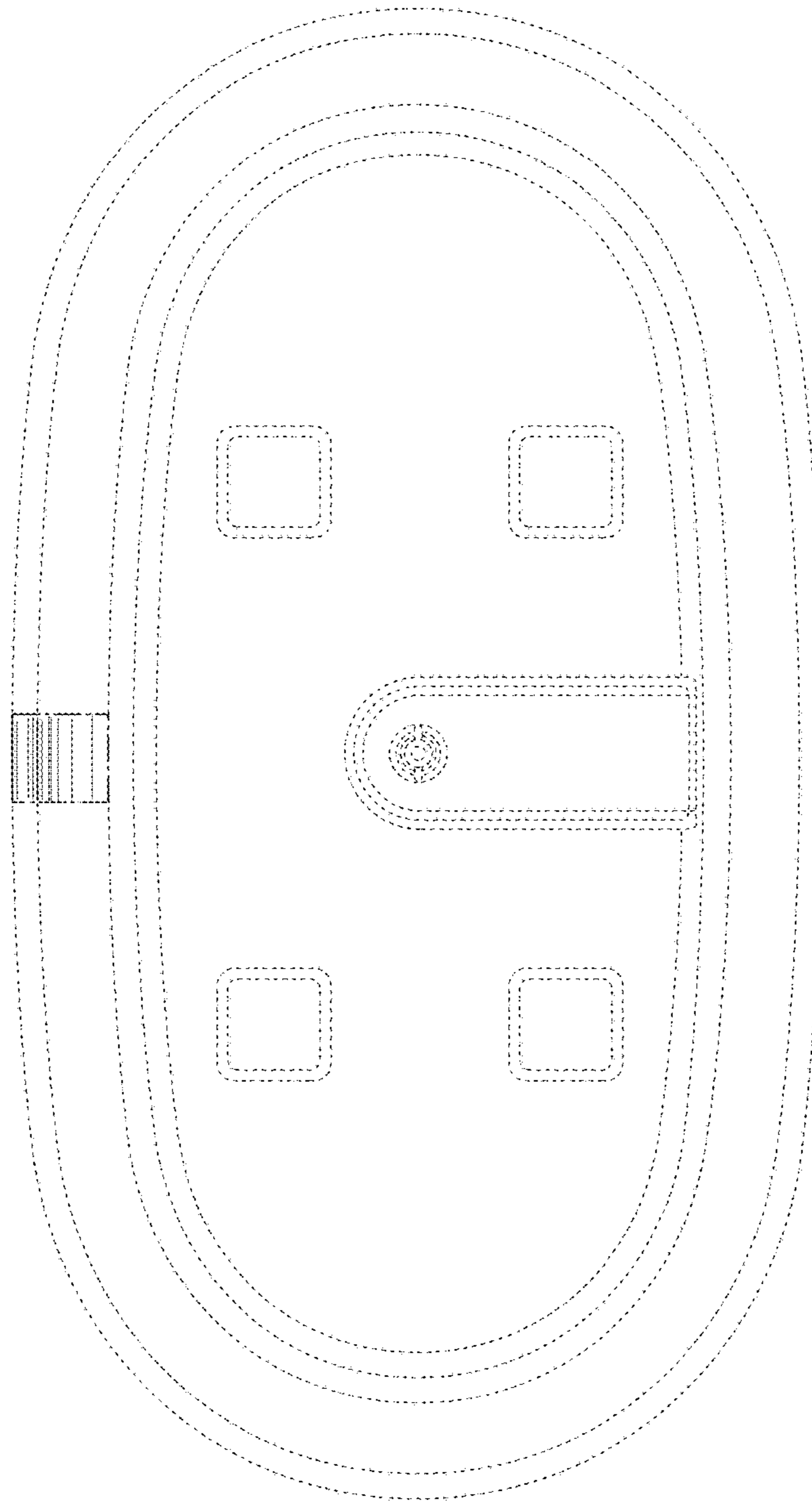


FIG. 7

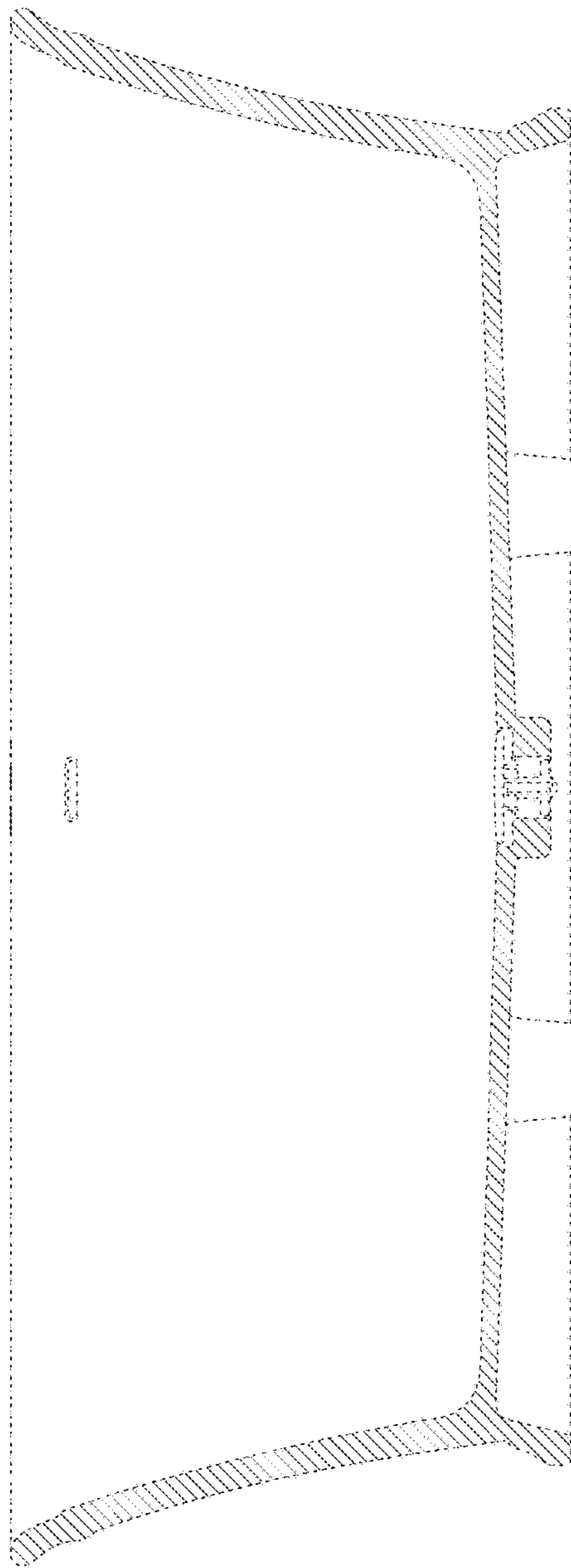


FIG. 8

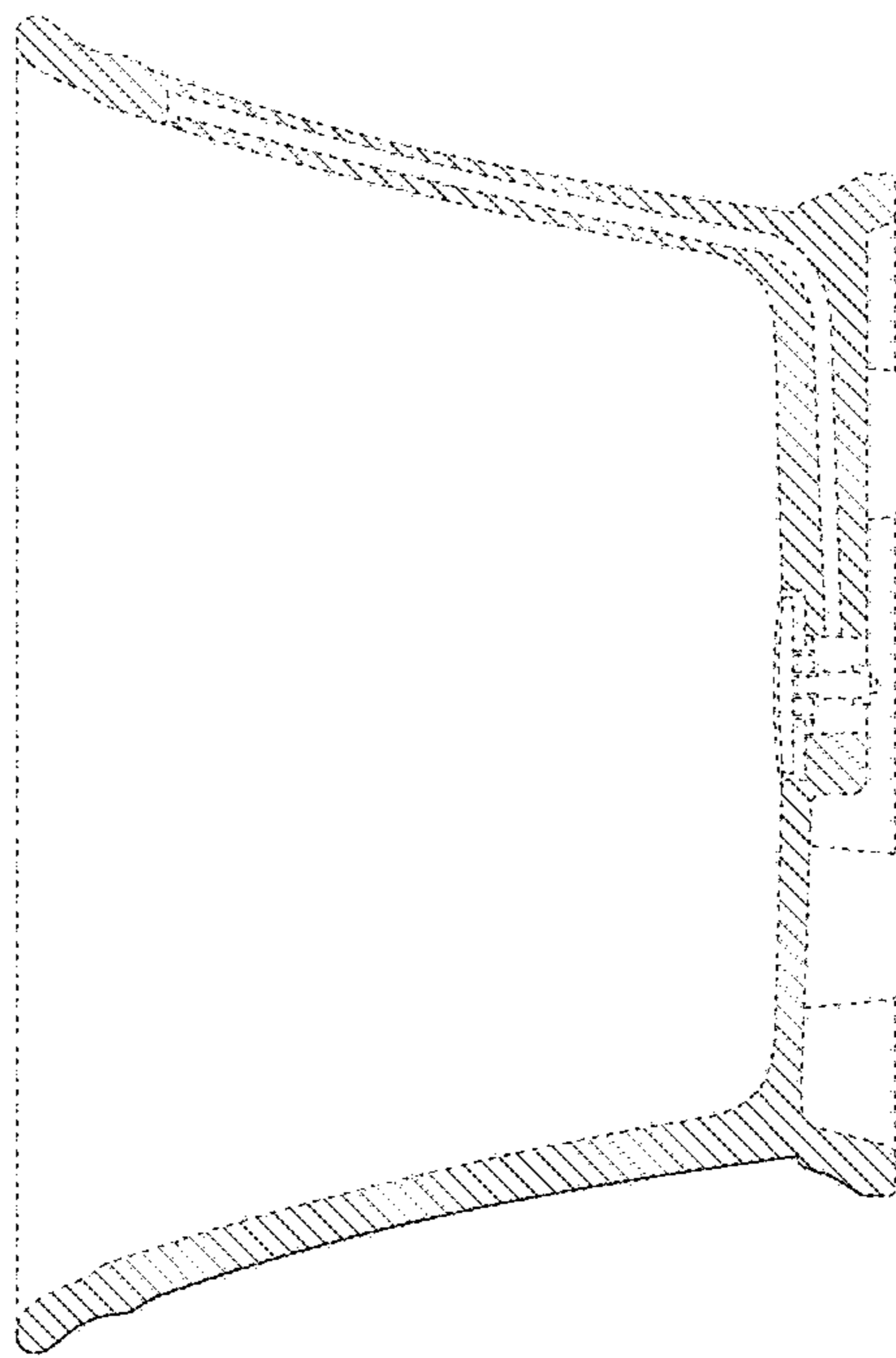


FIG. 9