



US00D847309S

(12) **United States Design Patent** (10) **Patent No.:** **US D847,309 S**
Sugatani et al. (45) **Date of Patent:** **** Apr. 30, 2019**

(54) **PIPE ADAPTER FOR WATER HEATER**

(71) Applicants: **NORITZ CORPORATION**, Hyogo (JP); **Living Engineering Co., Ltd.**, Tokyo (JP); **Mirai Industry Co., Ltd.**, Gifu (JP)

(72) Inventors: **Masaki Sugatani**, Akashi (JP); **Takanori Nagano**, Kakogawa (JP); **Hironao Matsunaga**, Amagasaki (JP); **Takahide Hasegawa**, Kakogawa (JP); **Kiyomi Kanamoto**, Tokyo (JP); **Yasuhide Satoh**, Tokyo (JP); **Shohei Matsuda**, Ogaki (JP)

(73) Assignees: **NORITZ CORPORATION**, Hyogo (JP); **Tokyo Gas Living Engineering Co., Ltd.**, Tokyo (JP); **Mirai Industry Co., Ltd.**, Gifu (JP)

(**) Term: **15 Years**

(21) Appl. No.: **29/635,758**

(22) Filed: **Feb. 2, 2018**

Related U.S. Application Data

(62) Division of application No. 29/578,873, filed on Sep. 26, 2016, now Pat. No. Des. 832,409.

(51) **LOC (11) Cl.** **23-01**

(52) **U.S. Cl.**
USPC **D23/259**

(58) **Field of Classification Search**
USPC D23/259, 262-266, 322-323, 396, 393; 138/37, 38, 103, 109, 113, 119, 120, 155; 285/123.15, 123.16, 123.17, 124.2, 135.4, 285/148.19, 148.22, 179, 179.1, 184, 305, 285/417

CPC . F16L 33/23; F16L 33/28; F16L 33/01; F16L 33/00; F16L 37/0845; F16L 37/02; F16L 37/08; F16L 37/0841; F16L 37/088;

(Continued)

(56) **References Cited**

U.S. PATENT DOCUMENTS

D31,451 S 8/1899 Norris
2,818,084 A * 12/1957 Tennison, Jr. F16L 17/035
138/168

(Continued)

OTHER PUBLICATIONS

A Non-Final Office Action issued by the United States Patent and Trademark Office on Sep. 27, 2018, which corresponds to U.S. Appl. No. 15/337,238 and is related to U.S. Appl. No. 29/635,758.

(Continued)

Primary Examiner — Eric L Goodman

Assistant Examiner — Amy C Wierenga

(74) *Attorney, Agent, or Firm* — Stuebaker & Brackett
PC

(57) **CLAIM**

The ornamental design for a pipe adapter for water heater, as shown and described.

DESCRIPTION

FIG. 1 is a perspective view of a pipe adapter for water heater showing the present design;

FIG. 2 is a front view thereof;

FIG. 3 is a rear view thereof;

FIG. 4 is a top view thereof;

FIG. 5 is a bottom view thereof;

FIG. 6 is a right side view thereof;

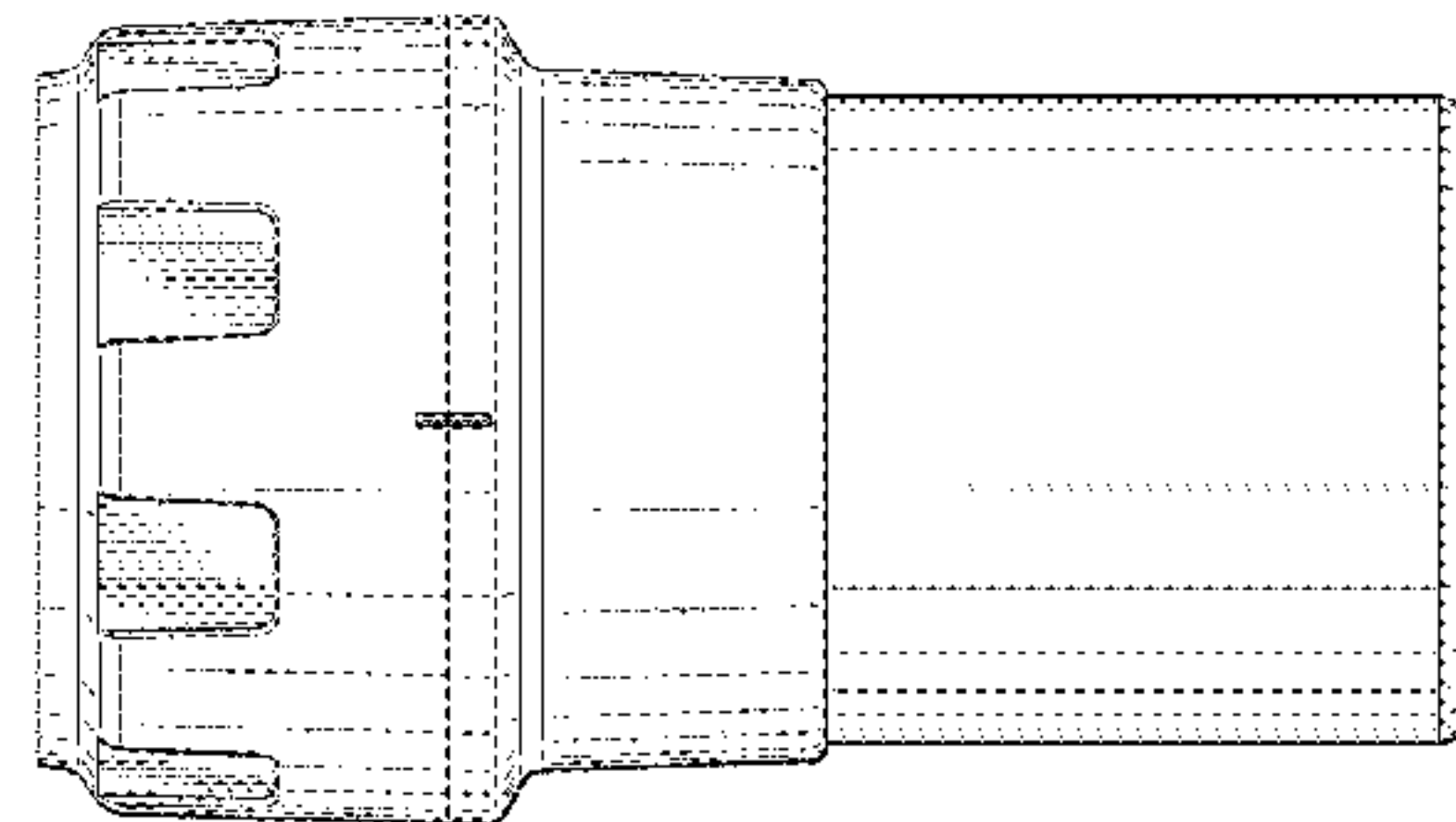
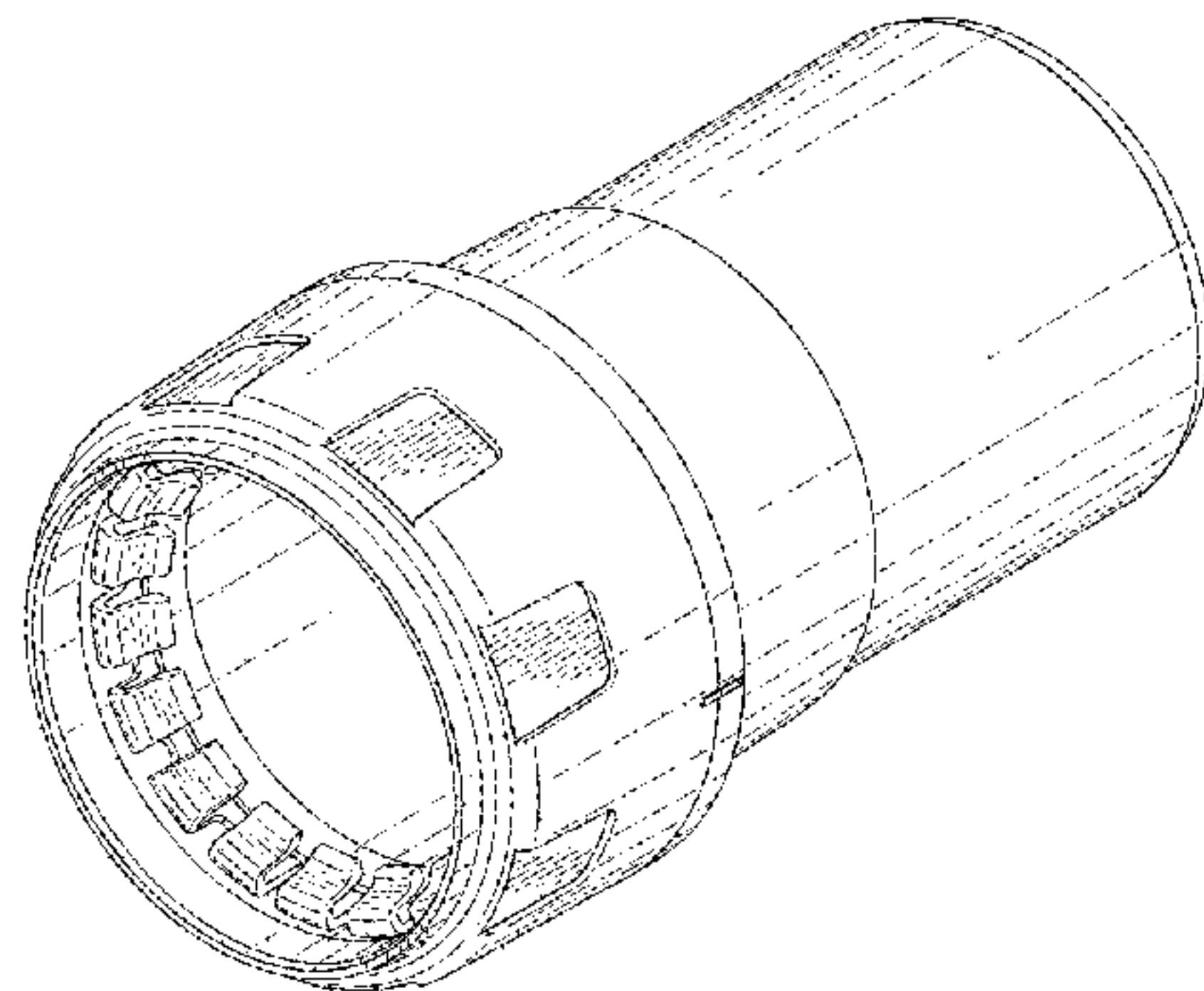
FIG. 7 is a left side view thereof;

FIG. 8 is a cross sectional view taken along line 8-8 of FIG. 7 thereof; and,

FIG. 9 is a front view shown in a state of use.

The evenly spaced broken lines shown in FIGS. 8 and 9 depict environmental subject matter that form no part of the claim.

1 Claim, 5 Drawing Sheets



(58) **Field of Classification Search**
 CPC F16L 37/107; F16L 37/144; F16L 55/18;
 F16L 21/005; F16L 21/02; F16L 21/06
 See application file for complete search history.

(56) **References Cited**
 U.S. PATENT DOCUMENTS

3,326,560	A	6/1967	Trbovich	
D215,002	S *	8/1969	Bauman	D23/262
D229,496	S *	12/1973	Haud	D23/262
D234,847	S *	4/1975	Hoffman	D23/262
3,892,418	A	7/1975	Felt	
4,340,089	A	7/1982	Freiherr von Arnim et al.	
4,674,775	A	6/1987	Tajima et al.	
D297,158	S	8/1988	Marton et al.	
D299,772	S	2/1989	Smith	
D300,574	S	4/1989	Smith	
4,870,988	A	10/1989	Hood, Jr. et al.	
5,261,707	A	11/1993	Kotake et al.	
D348,097	S	6/1994	Inda et al.	
D354,801	S	1/1995	Grant et al.	
D356,456	S	3/1995	Henry	
5,423,578	A	6/1995	Kanomata et al.	
D368,516	S	4/1996	Matsumura	
5,590,477	A	1/1997	Carfagno, Sr.	
5,700,977	A *	12/1997	Ford	H02B 1/202 174/64
D407,802	S *	4/1999	Hatfield	D23/262
5,924,282	A	7/1999	Thomas	
D417,534	S	12/1999	Holston et al.	
6,161,841	A	12/2000	Shaw	
6,237,969	B1	5/2001	Amatsutsu	
6,345,844	B1	2/2002	Miyajima et al.	
6,435,567	B2	8/2002	Kikumori et al.	
6,499,771	B1	12/2002	Snyder, Sr. et al.	
7,416,227	B1	8/2008	Earnest	
7,584,934	B1	9/2009	Eichinger	

D614,271	S	4/2010	Weston	
7,699,356	B2	4/2010	Bucher et al.	
7,845,686	B2 *	12/2010	Steinbruck	F16L 37/148 285/305
D659,922	S	5/2012	Krohmer et al.	
D676,940	S	2/2013	Kluss et al.	
D676,941	S	2/2013	Kluss et al.	
8,474,878	B2	7/2013	Richter	
D700,415	S	2/2014	Baker	
D705,402	S	5/2014	Yu	
D746,958	S	1/2016	Gledhill et al.	
D764,030	S	8/2016	Darling et al.	
9,587,744	B2	3/2017	Yoshida et al.	
9,623,594	B2 *	4/2017	French	F16L 21/03
D798,423	S *	9/2017	Aubin	D23/266
D802,102	S	11/2017	Mursu et al.	
2004/0080160	A1	4/2004	Rief	
2004/0183301	A1	9/2004	Yoshida	
2004/0232694	A1	11/2004	Martin	
2005/0285401	A1	12/2005	Treichel et al.	
2006/0006651	A1	1/2006	Watanabe	
2007/0040376	A1	2/2007	Choi	
2007/0228727	A1	10/2007	Matsuno et al.	
2012/0285559	A1	11/2012	Harper et al.	
2012/0325335	A1 *	12/2012	Schalkx	F16L 37/2445 137/315.01
2014/0338773	A1 *	11/2014	French	F16L 37/098 138/109
2015/0330510	A1	11/2015	Doyle et al.	
2016/0060873	A1	3/2016	Sugatani	
2018/0066776	A1 *	3/2018	Roper	B29C 66/5221

OTHER PUBLICATIONS

An Office Action issued by the United States Patent and Trademark Office dated Dec. 27, 2017, which corresponds to U.S. Appl. No. 29/578,875 and is related to U.S. Appl. No. 29/578,873.

* cited by examiner

FIG.1

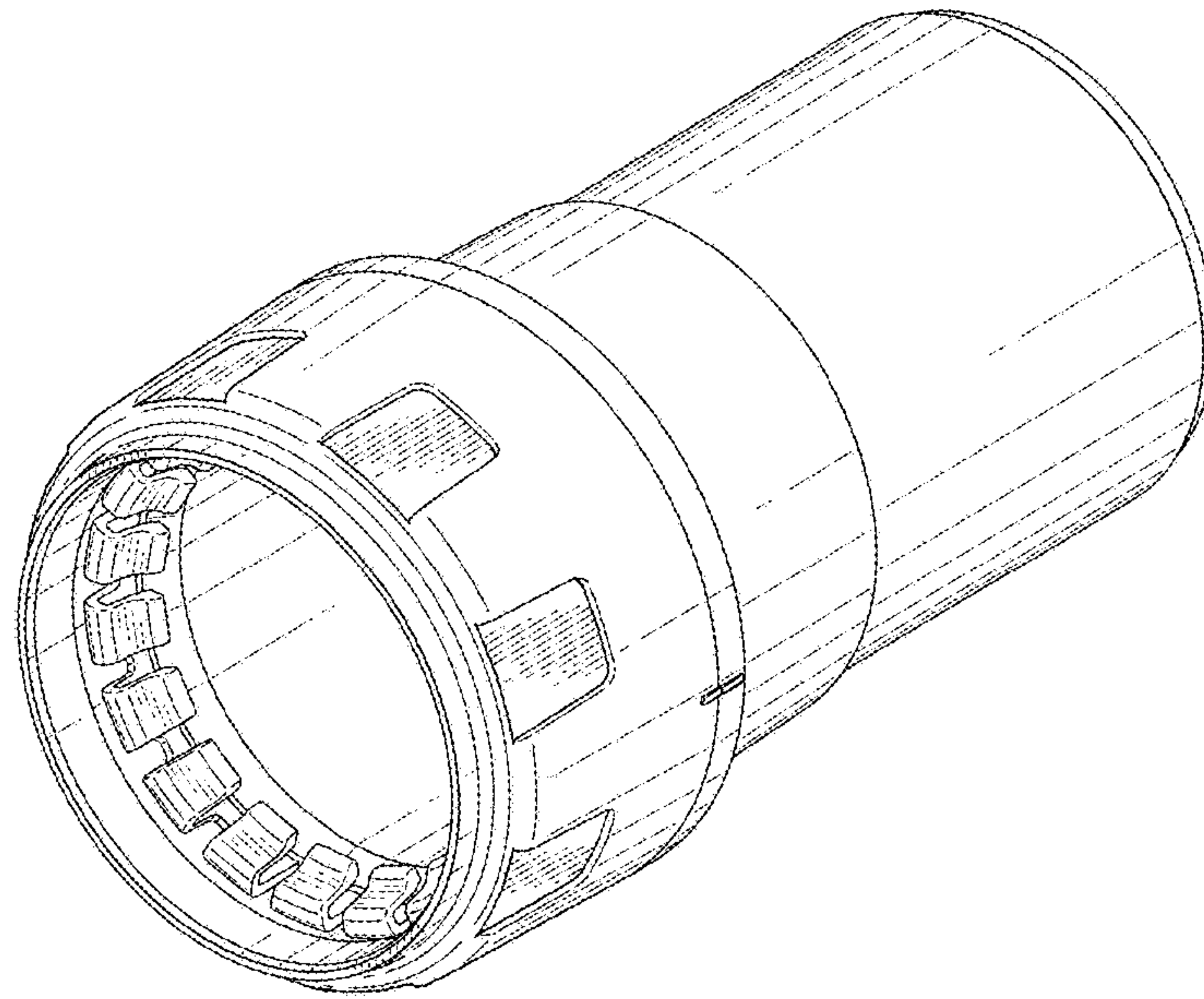


FIG.2

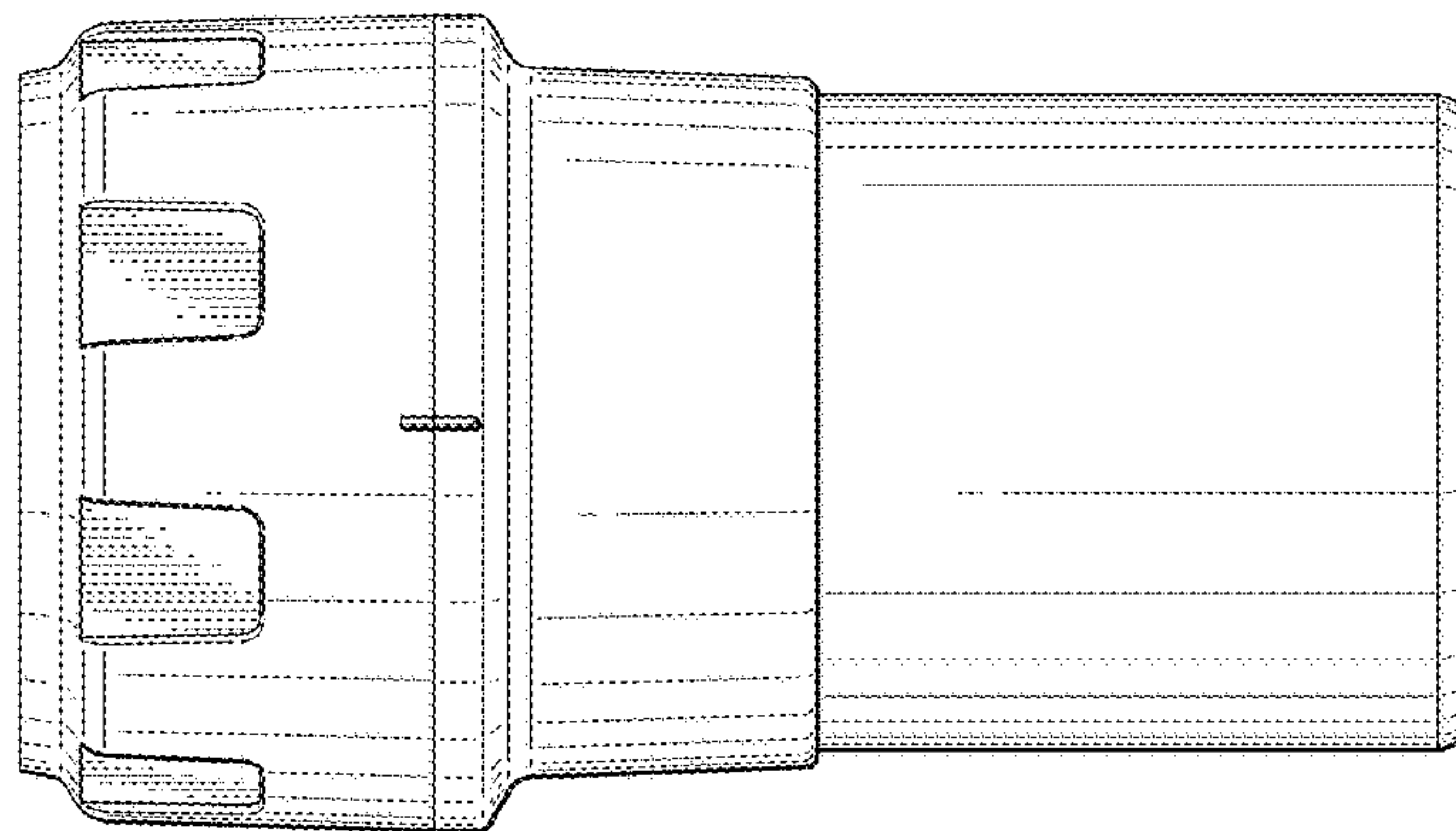


FIG.3

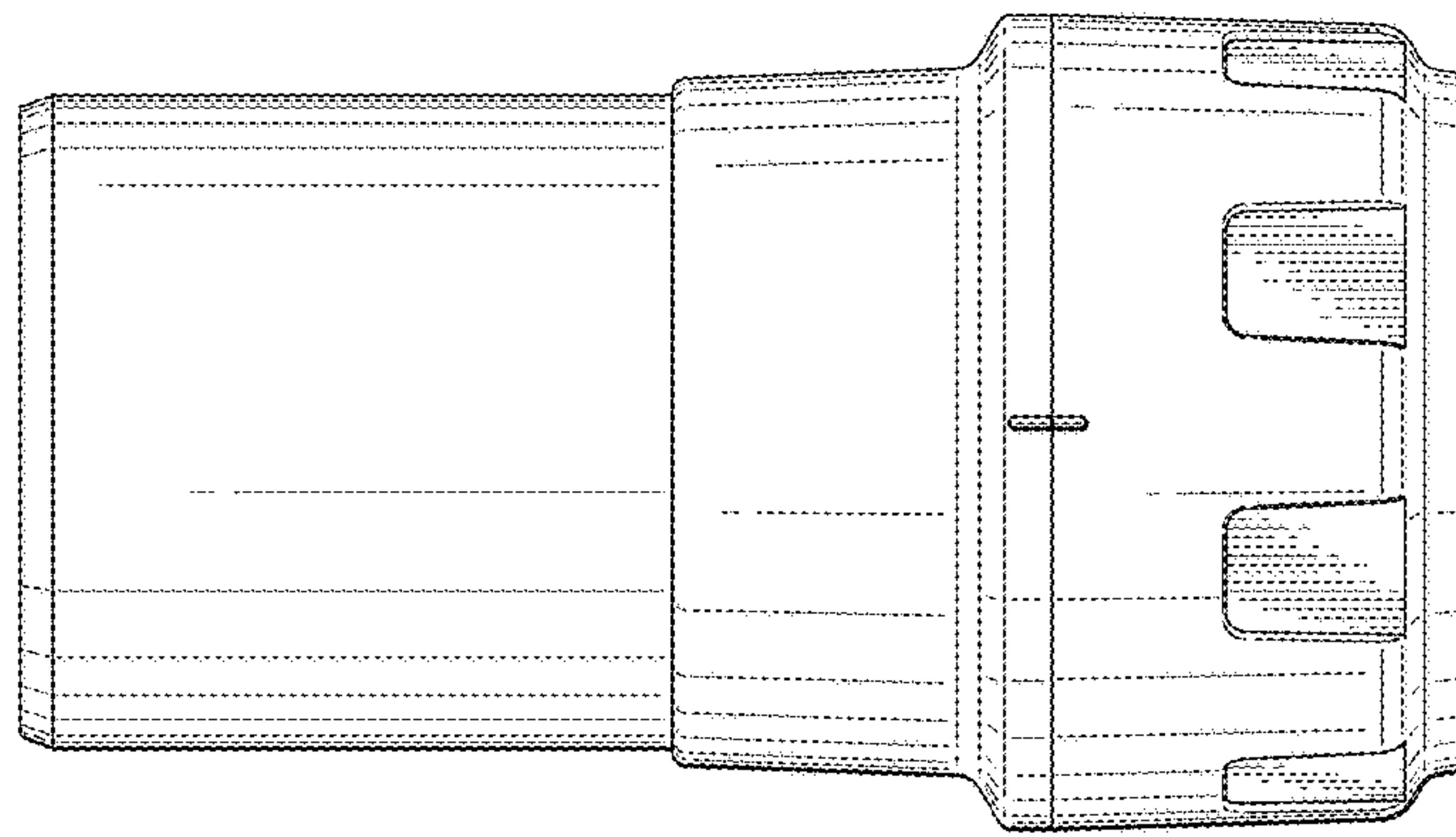


FIG.4

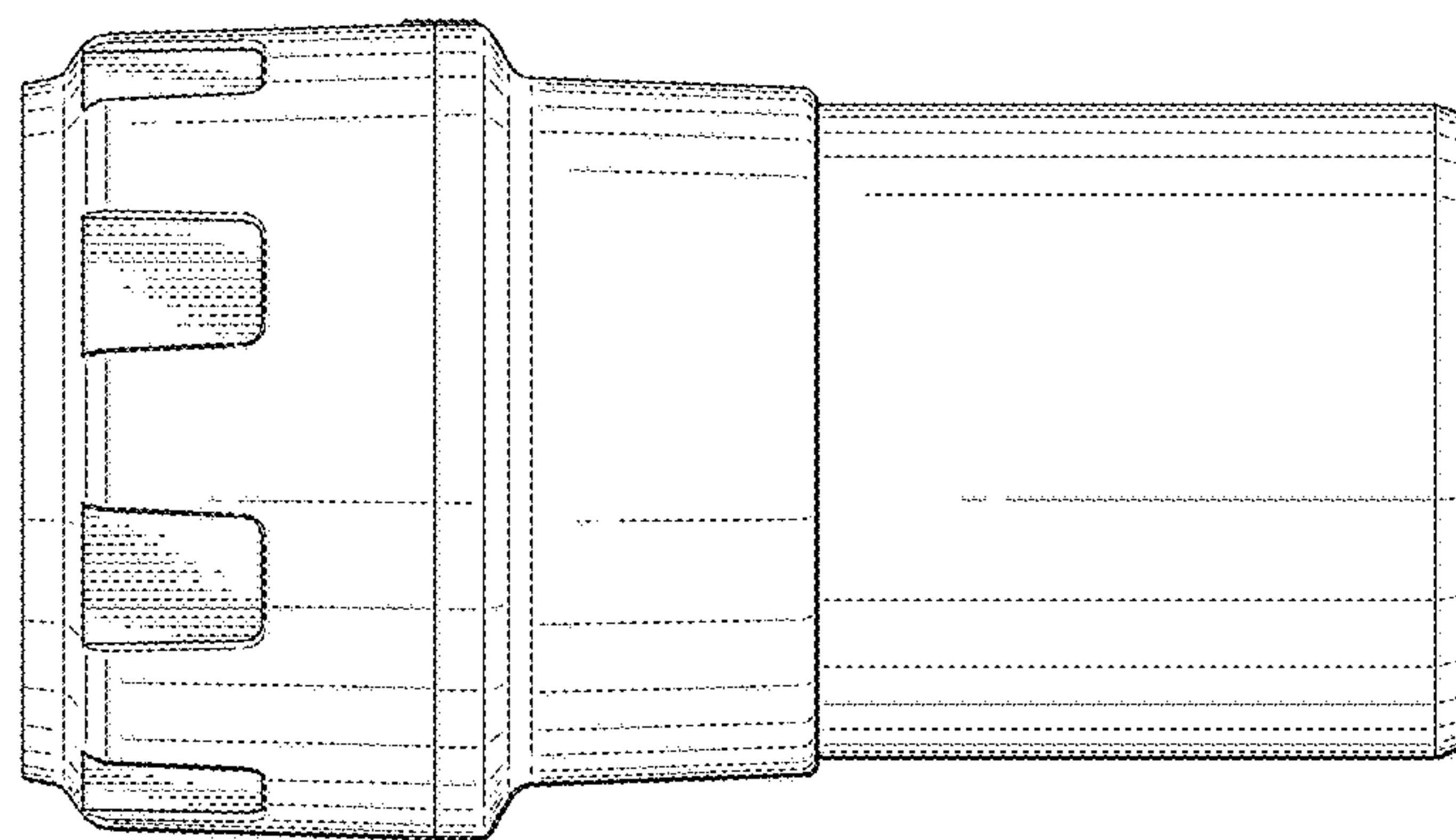


FIG.5

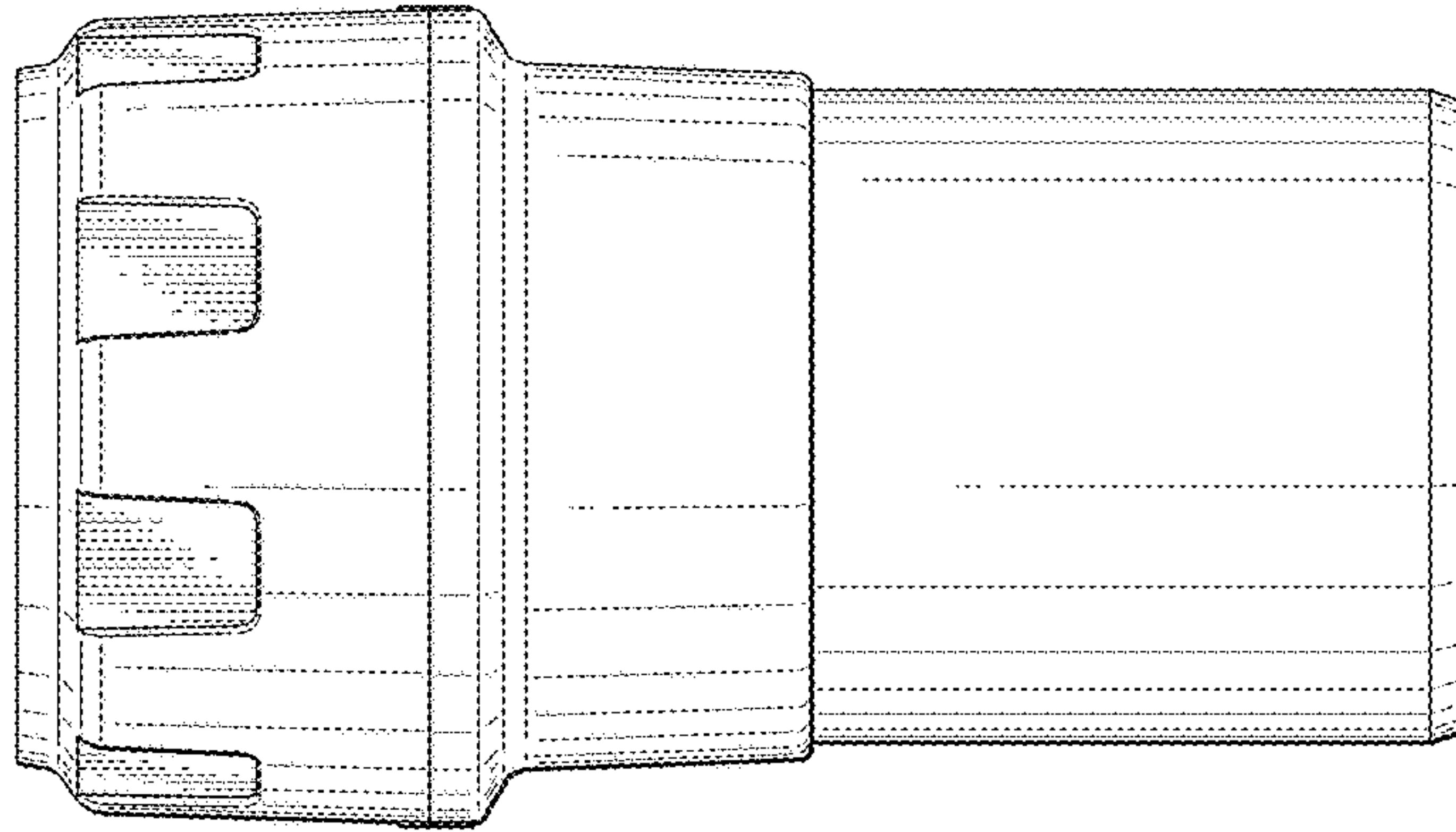


FIG.6

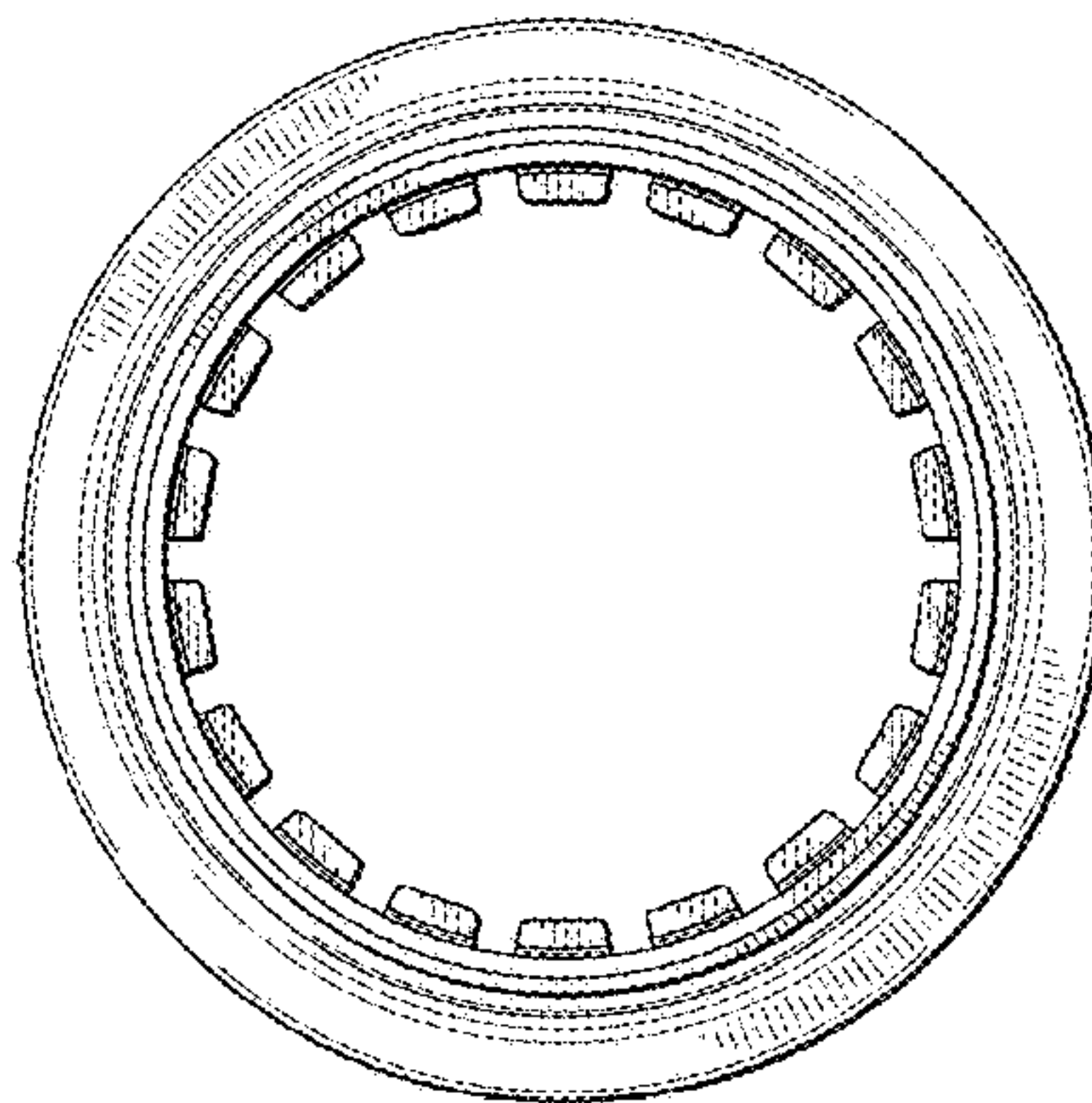


FIG.7

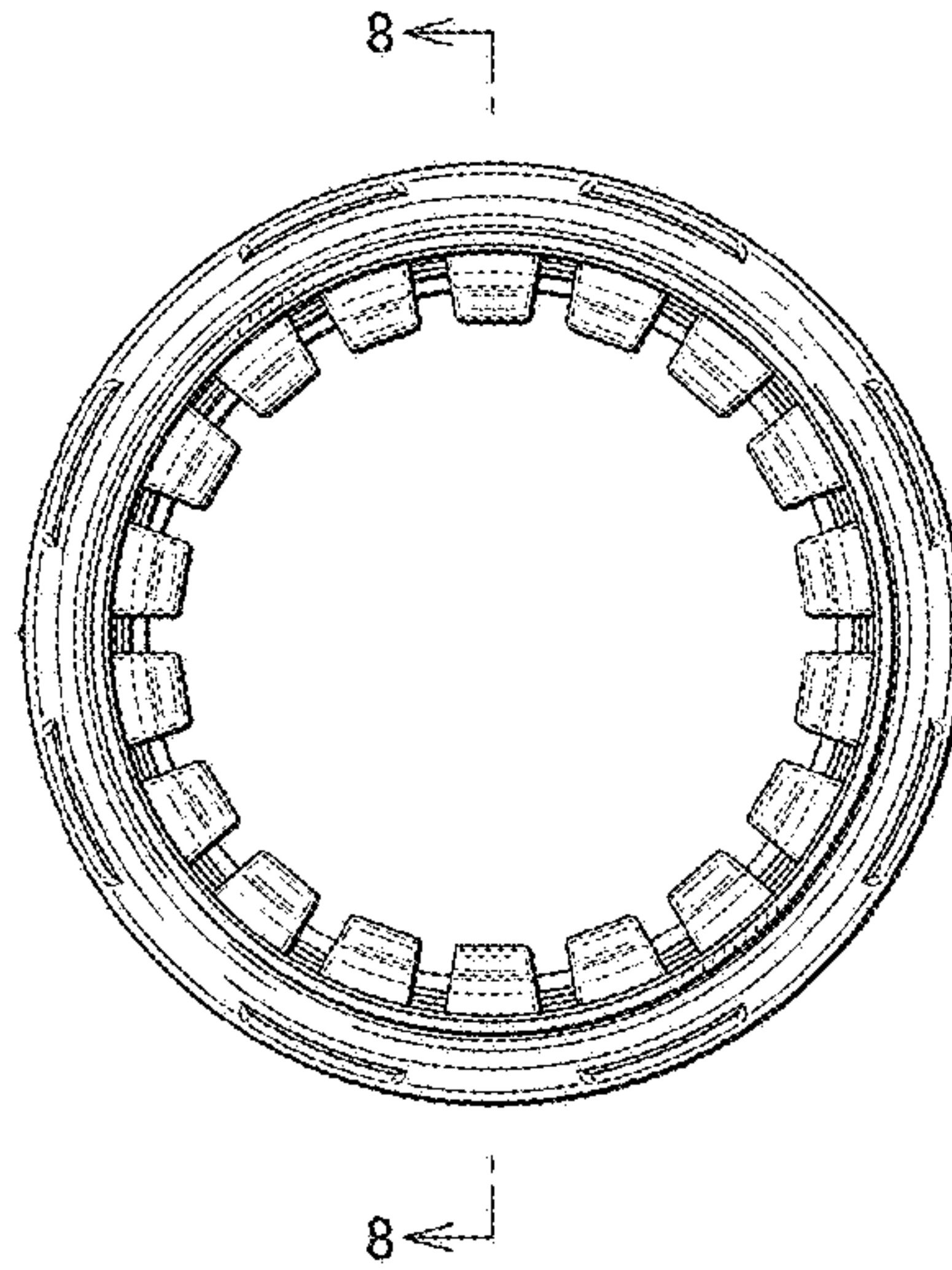


FIG.8

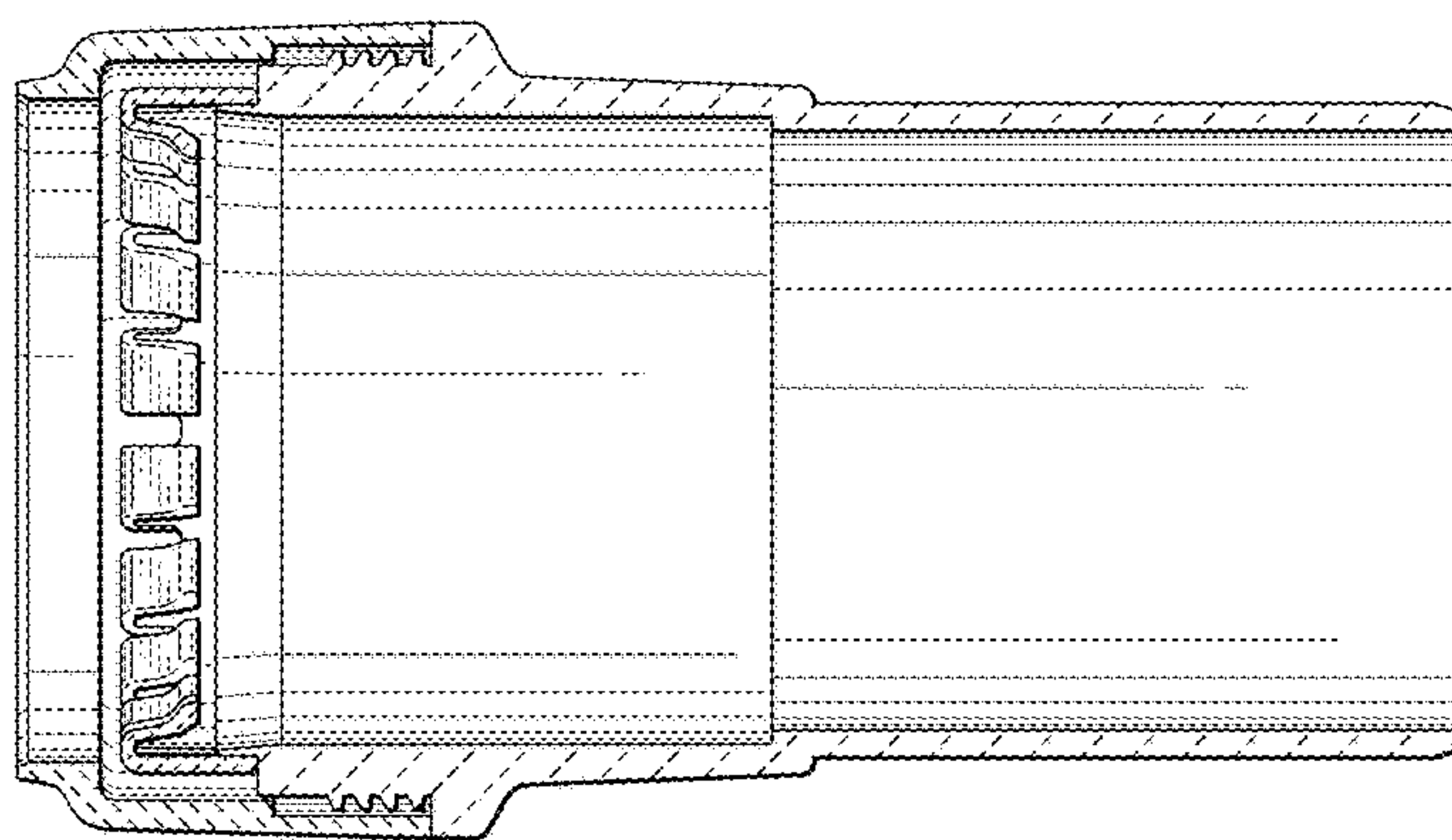


FIG.9

