



US00D847306S

(12) **United States Design Patent**
Garland

(10) **Patent No.:** **US D847,306 S**

(45) **Date of Patent:** **** Apr. 30, 2019**

(54) **FAUCET HANDLE**

(71) Applicant: **DELTA FAUCET COMPANY,**
Indianapolis, IN (US)

(72) Inventor: **Celine Kwok Garland,** Zionsville, IN
(US)

(73) Assignee: **DELTA FAUCET COMPANY,**
Indianapolis, IN (US)

(**) Term: **15 Years**

(21) Appl. No.: **29/638,463**

(22) Filed: **Feb. 27, 2018**

(51) **LOC (11) Cl.** **23-01**

(52) **U.S. Cl.**
USPC **D23/252**

(58) **Field of Classification Search**
USPC D23/238–243, 249, 250, 252, 254;
D8/308
CPC Y10T 137/9464
See application file for complete search history.

(56) **References Cited**

U.S. PATENT DOCUMENTS

D596,711 S * 7/2009 Sieger D23/238
D664,629 S * 7/2012 Tang D23/238

D665,880 S * 8/2012 Flowers D23/252
D723,663 S * 3/2015 Downey D23/238
D770,597 S * 11/2016 Eads D23/252
D797,249 S * 9/2017 Downey D23/252
D810,236 S * 2/2018 Schoenherr D23/238

* cited by examiner

Primary Examiner — Robert A Delehanty

(74) *Attorney, Agent, or Firm* — Edgar A. Zarins; Nirav
D. Parikh

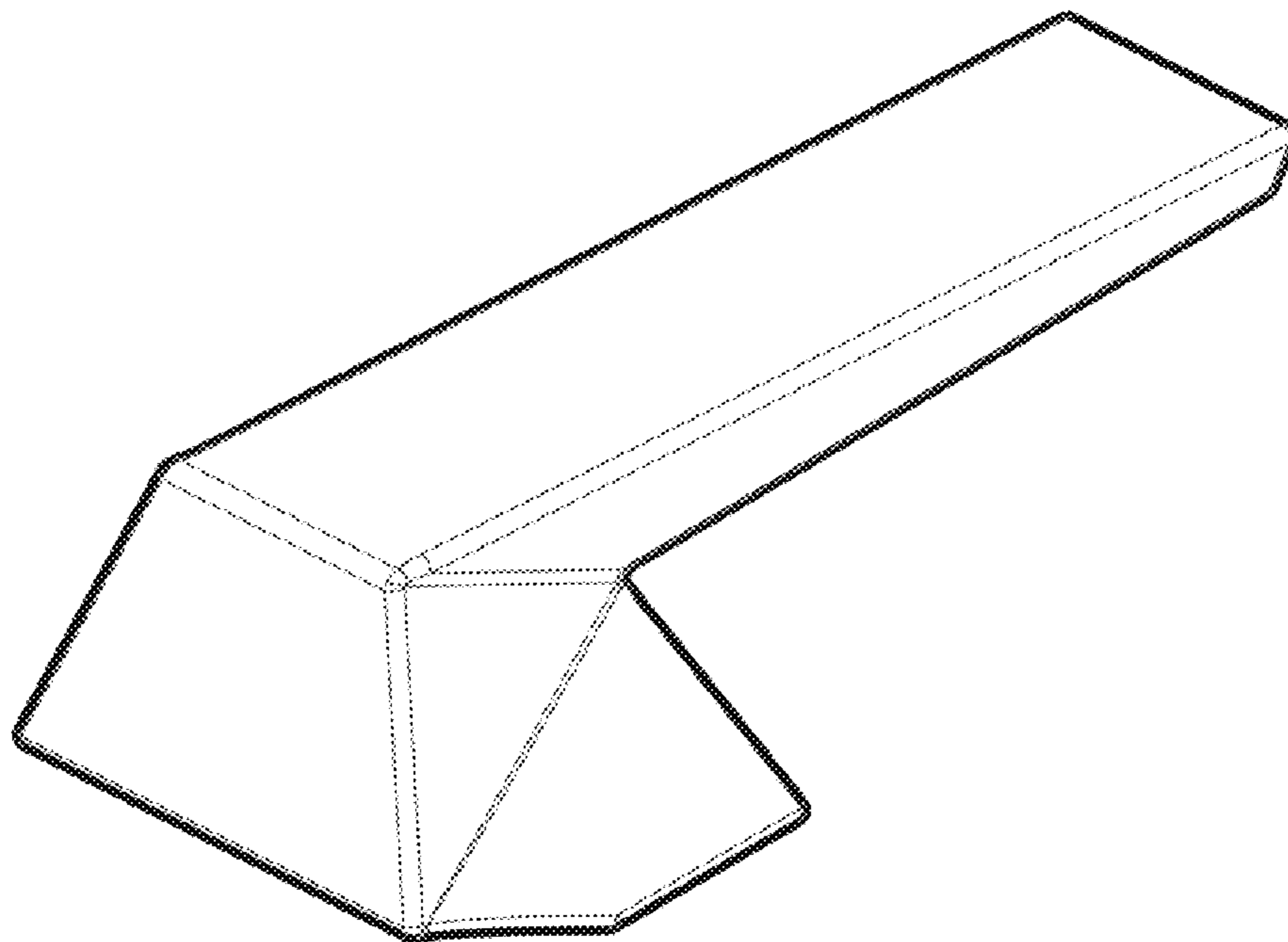
(57) **CLAIM**

The ornamental design for a faucet handle, as shown and
described.

DESCRIPTION

FIG. 1 is a first perspective view of a faucet handle showing
my new design;
FIG. 2 is a second perspective view thereof;
FIG. 3 is a first end view thereof;
FIG. 4 is a first side view thereof;
FIG. 5 is a second end view thereof;
FIG. 6 is a second side view thereof;
FIG. 7 is a top plan view thereof; and,
FIG. 8 is a bottom view thereof.

1 Claim, 4 Drawing Sheets



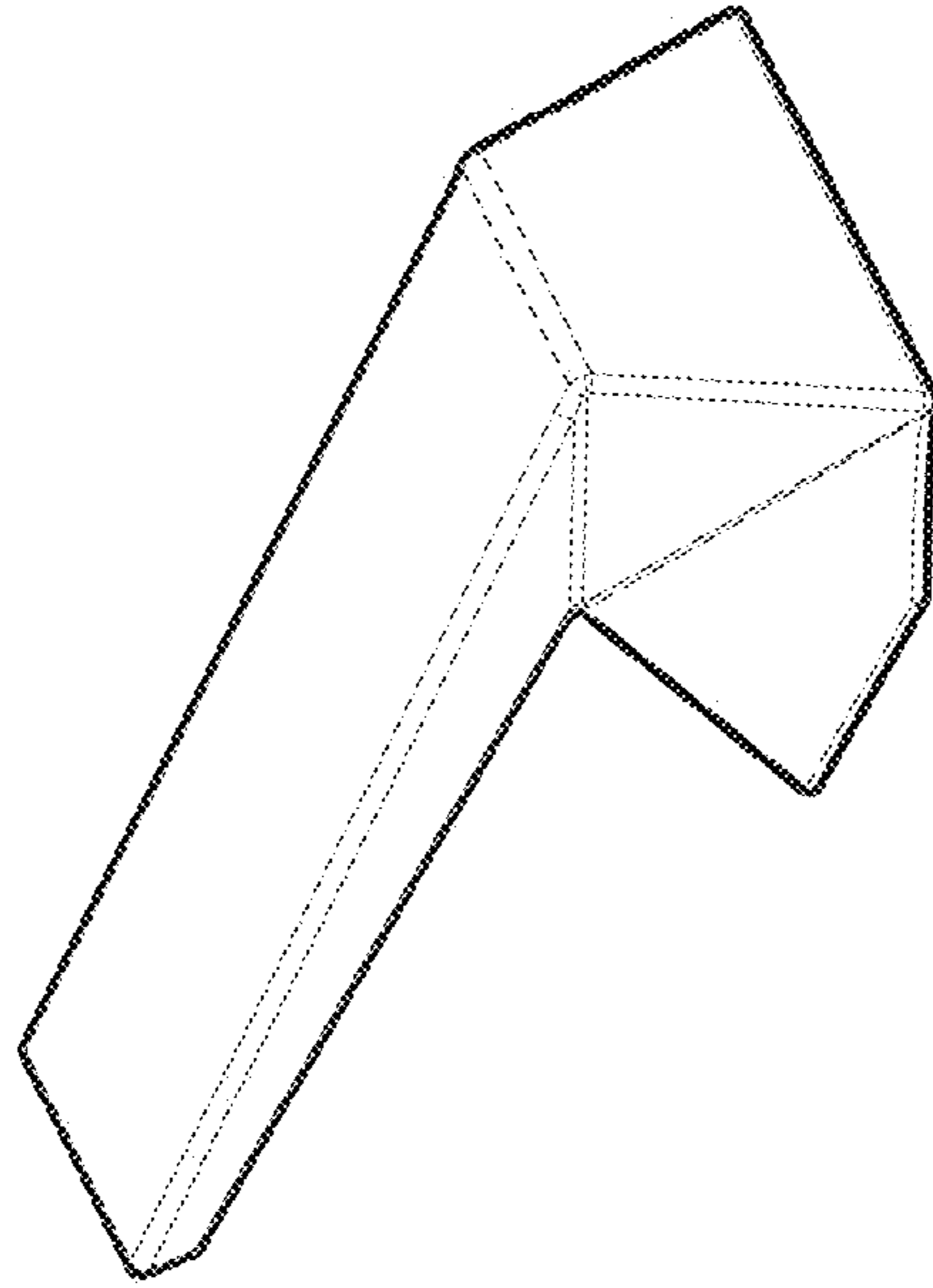


Fig. 2

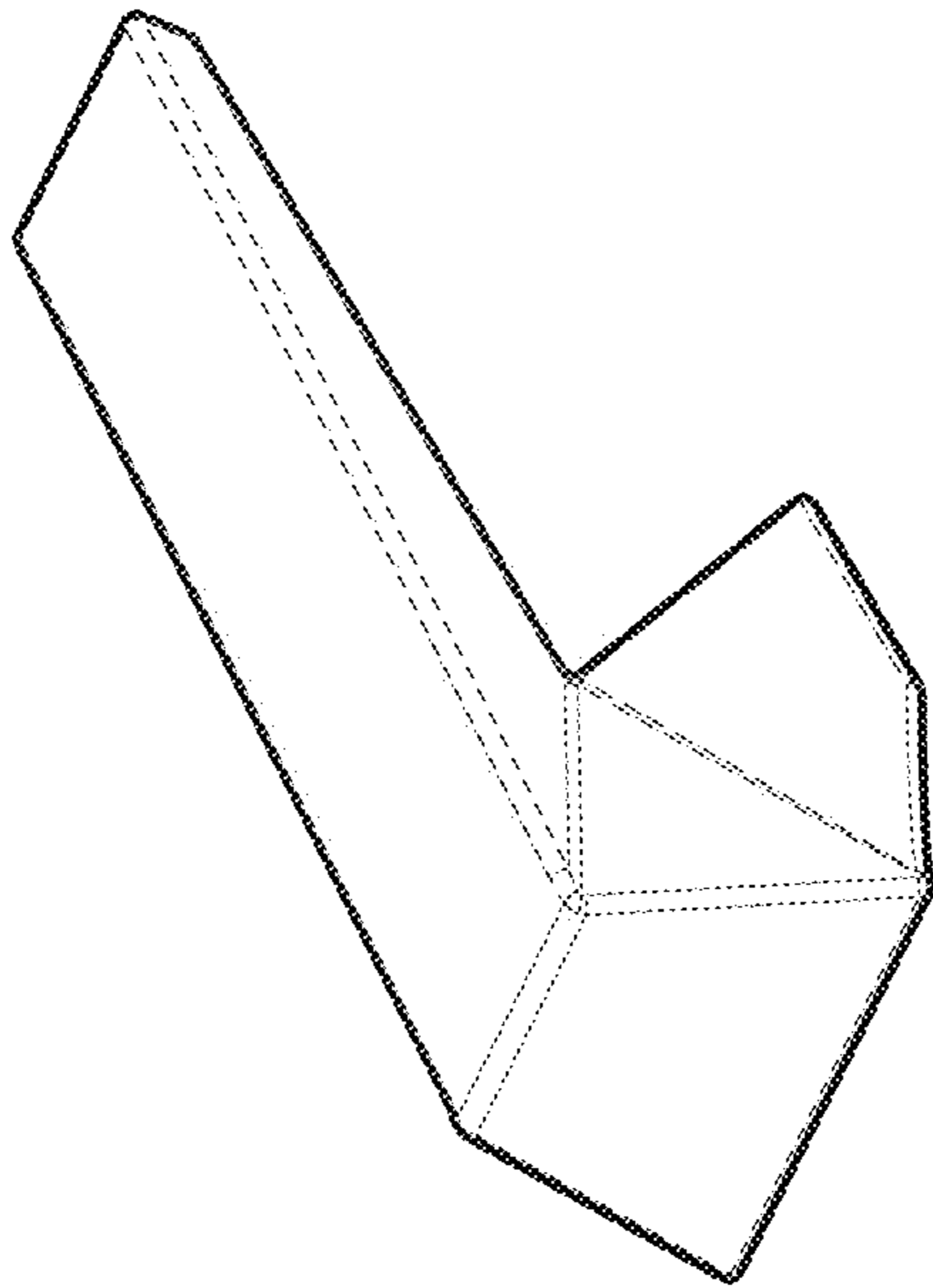


Fig. 1

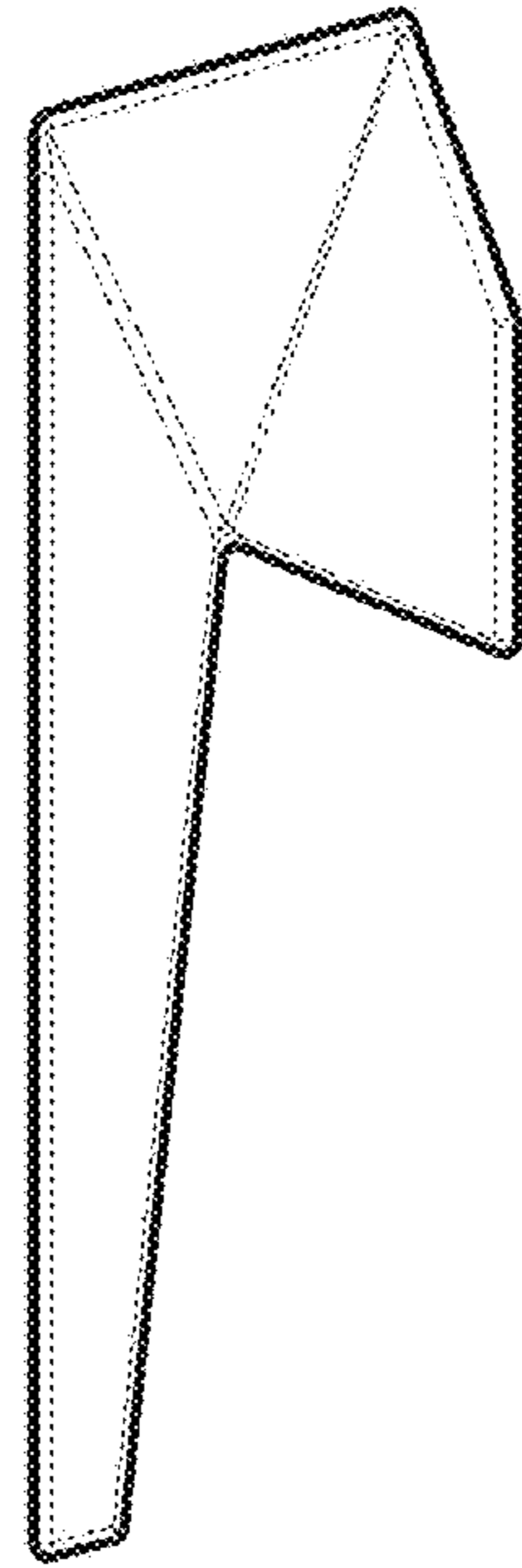


Fig. 4

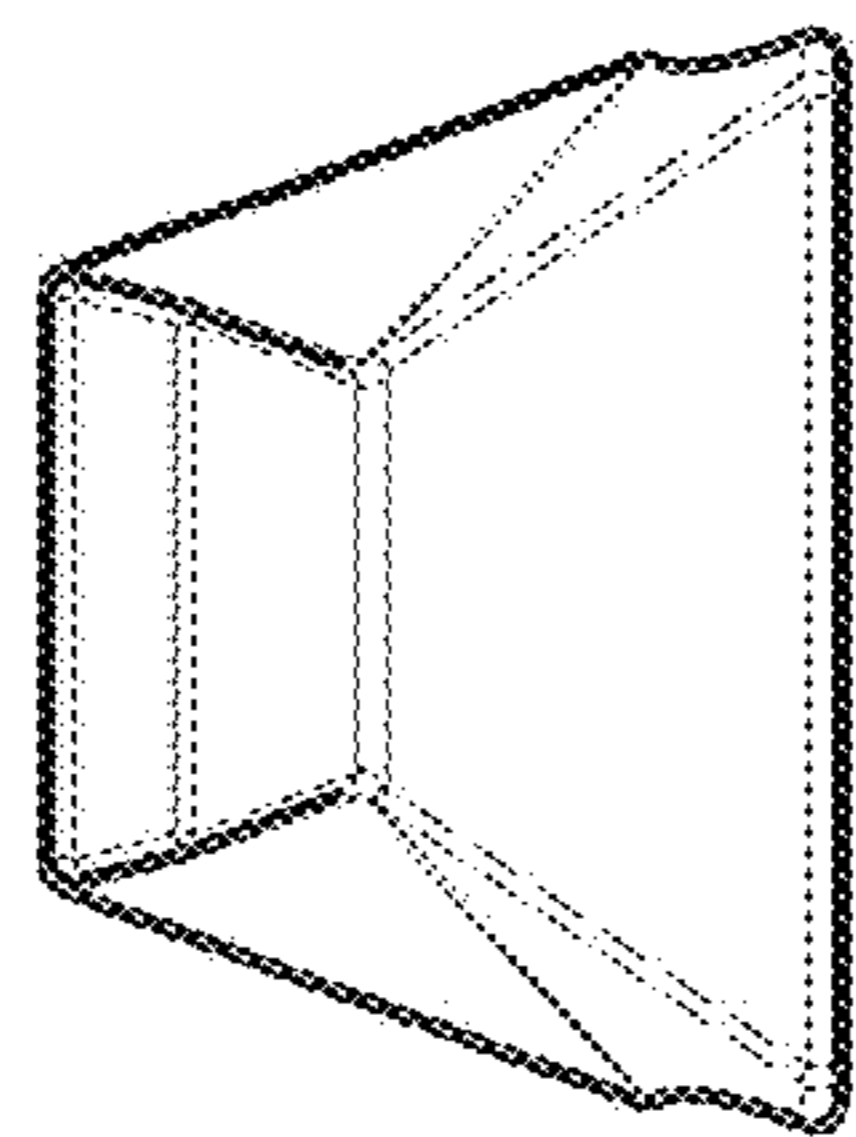


Fig. 3

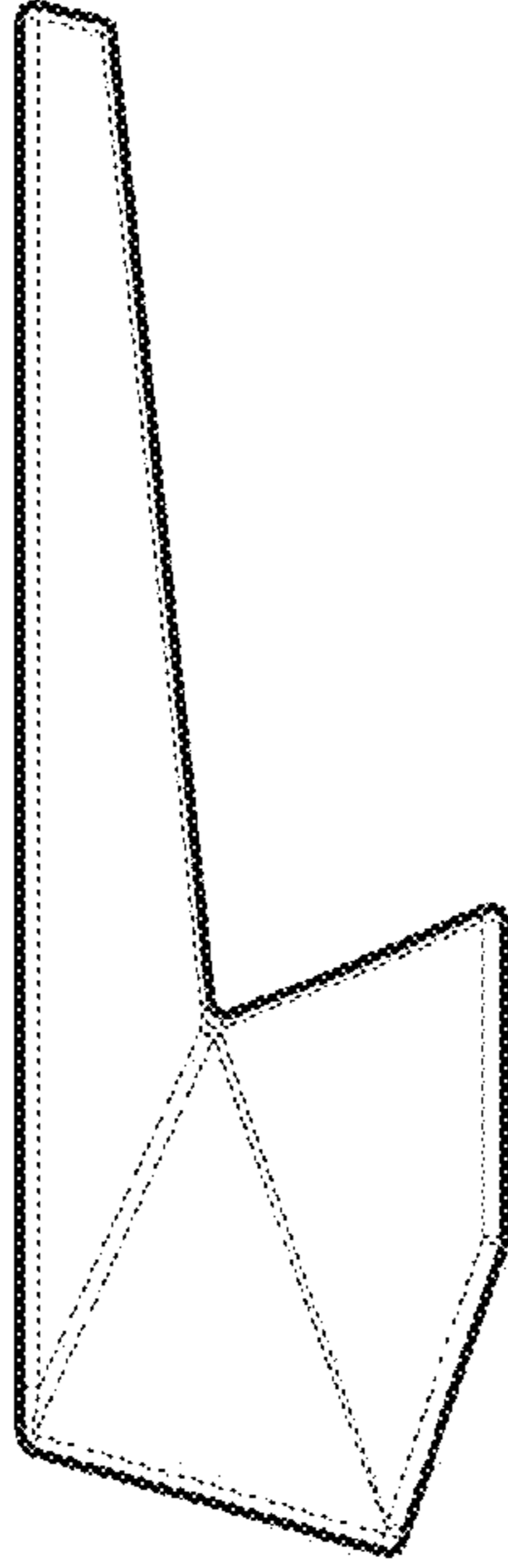


Fig. 6

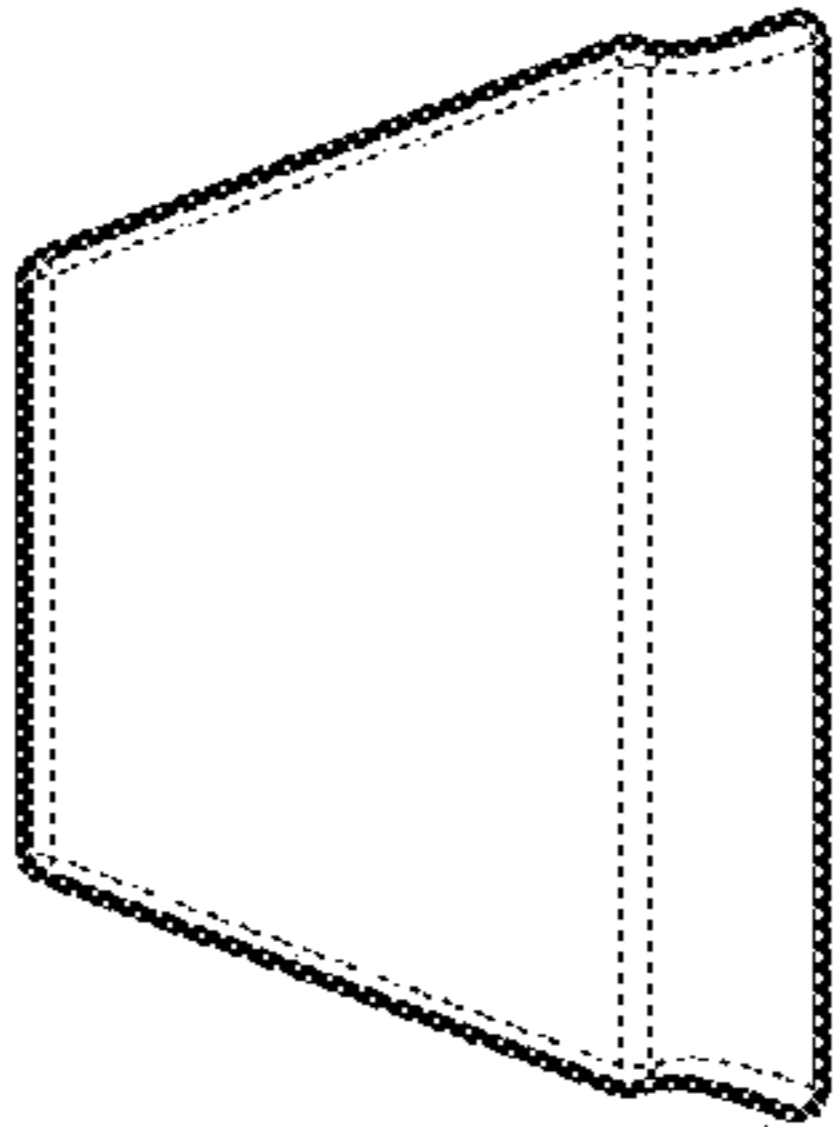


Fig. 5

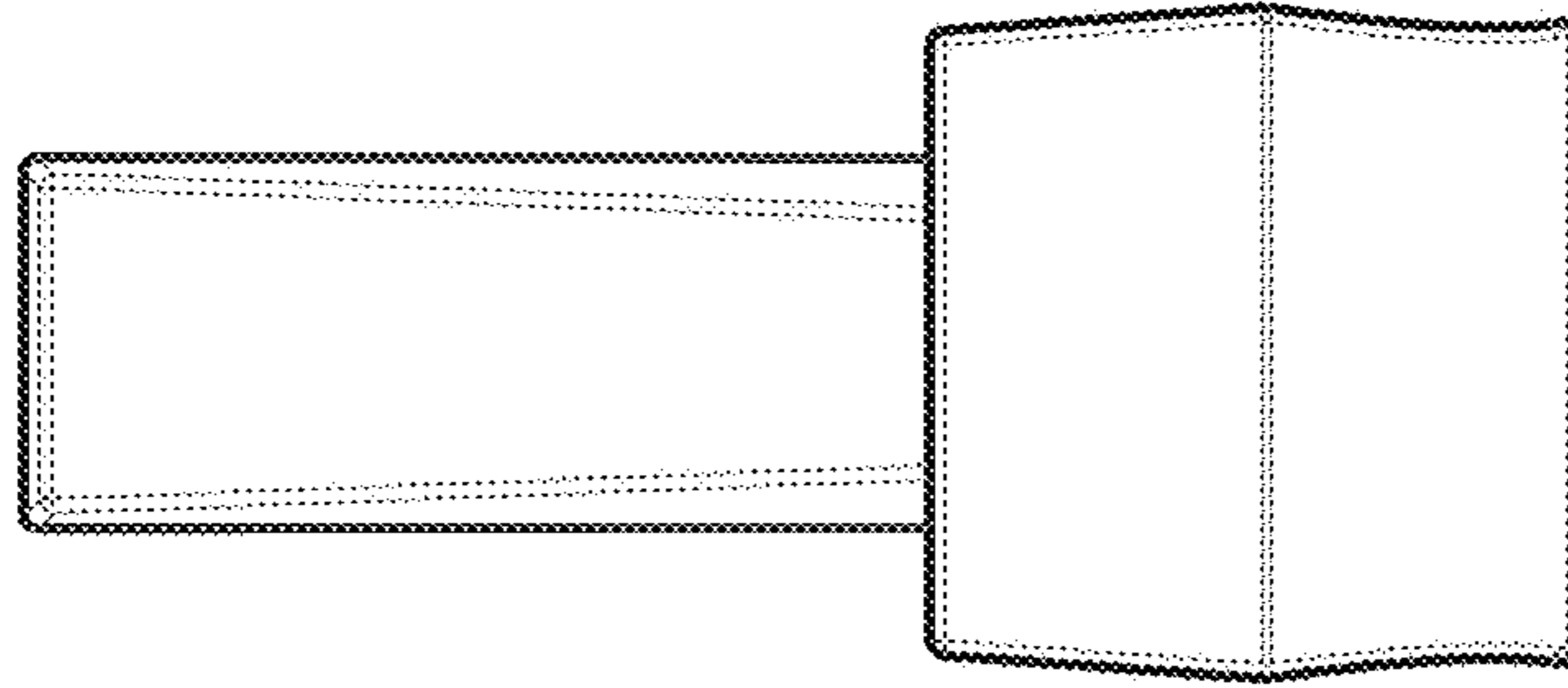


Fig. 8

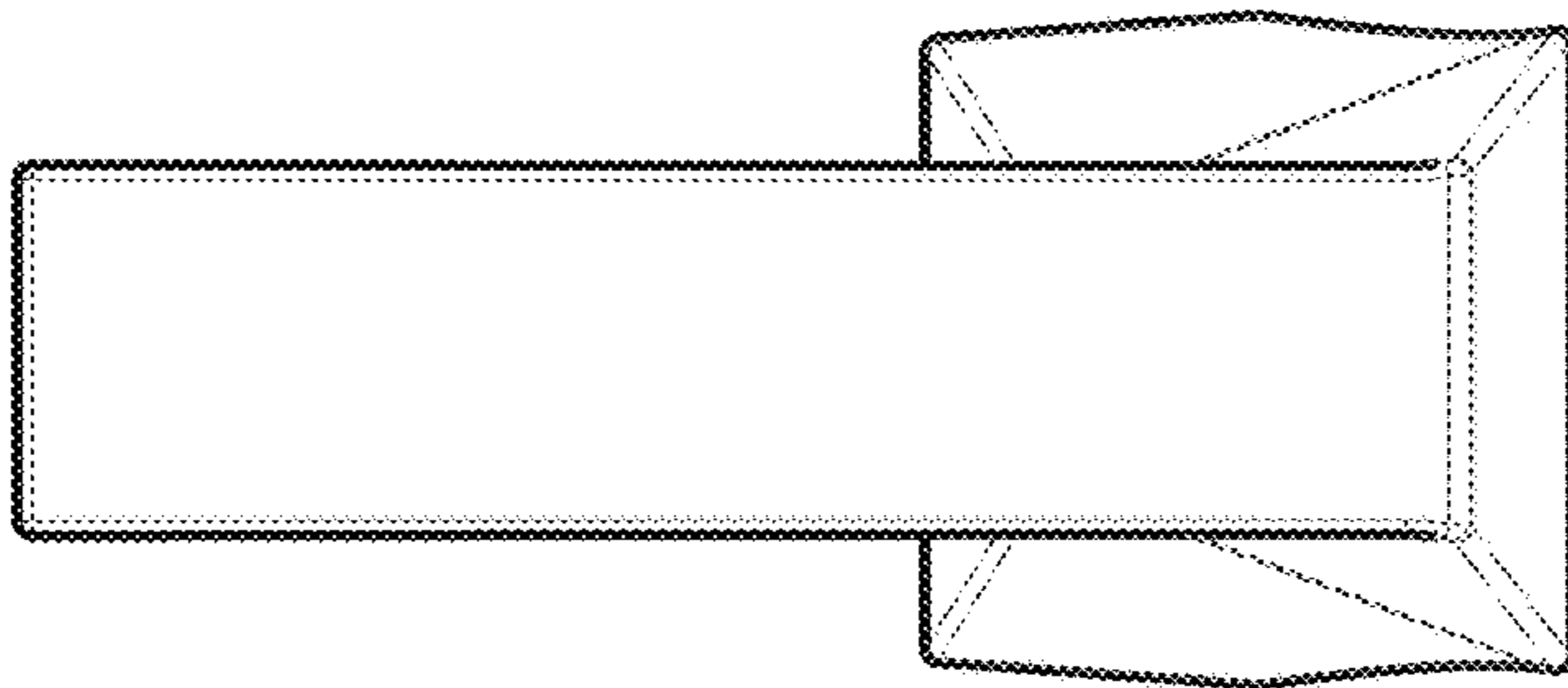


Fig. 7