

US00D847302S

(12) **United States Design Patent** (10) **Patent No.:** **US D847,302 S**
Cocks et al. (45) **Date of Patent:** **** Apr. 30, 2019**

(54) **HAND SHOWER**

(71) Applicant: **Phoenix Industries Pty Ltd,**
Bayswater, Victoria (AU)

(72) Inventors: **Andrew John Cocks,** Bayswater (AU);
Ban Hsi Liu, Bayswater (AU)

(73) Assignee: **Phoenix Industries Pty Ltd,**
Bayswater, Victoria (AU)

(**) Term: **15 Years**

(21) Appl. No.: **29/630,816**

(22) Filed: **Dec. 22, 2017**

D669,156 S * 10/2012 Schoenherr D23/223
D694,361 S * 11/2013 Schoenherr D23/223
D697,177 S * 1/2014 Schoenherr D23/223
D713,004 S * 9/2014 Schoenherr D23/223
D713,498 S * 9/2014 Schoenherr D23/223
D714,421 S * 9/2014 Flowers D23/223
8,991,432 B2 * 3/2015 Zhou B05B 1/18
137/883
9,027,857 B2 * 5/2015 Kull B05B 1/1609
239/569
D733,258 S * 6/2015 Sandee D23/223
9,046,261 B2 * 6/2015 Zhang F21V 33/004
D737,932 S * 9/2015 Nikles D23/223
D749,694 S * 2/2016 Madsen D23/213
D778,402 S * 2/2017 Schoenherr D23/223
D778,404 S * 2/2017 Schoenherr D23/223

* cited by examiner

(30) **Foreign Application Priority Data**

Jun. 28, 2017 (AU) 201713945

(51) **LOC (11) Cl.** **23-01**

(52) **U.S. Cl.**
USPC **D23/223**

(58) **Field of Classification Search**
USPC D23/213, 223, 226, 229, 230
CPC A61H 9/0021; A61H 33/00; B05B 1/00;
B05B 1/14; B05B 1/185; B05B 1/08;
B05B 1/02; B05B 1/26; B05B 12/002;
B05B 1/18
See application file for complete search history.

(56) **References Cited**

U.S. PATENT DOCUMENTS

D590,917 S * 4/2009 Schoenherr D23/223
D654,983 S * 2/2012 Schoenherr D23/223
D655,386 S * 3/2012 Schoenherr D23/223
D655,783 S * 3/2012 Schoenherr D23/223
D659,794 S * 5/2012 Flowers D23/223

Primary Examiner — Robin V Webster

(74) *Attorney, Agent, or Firm* — Womble Bond Dickinson (US) LLP

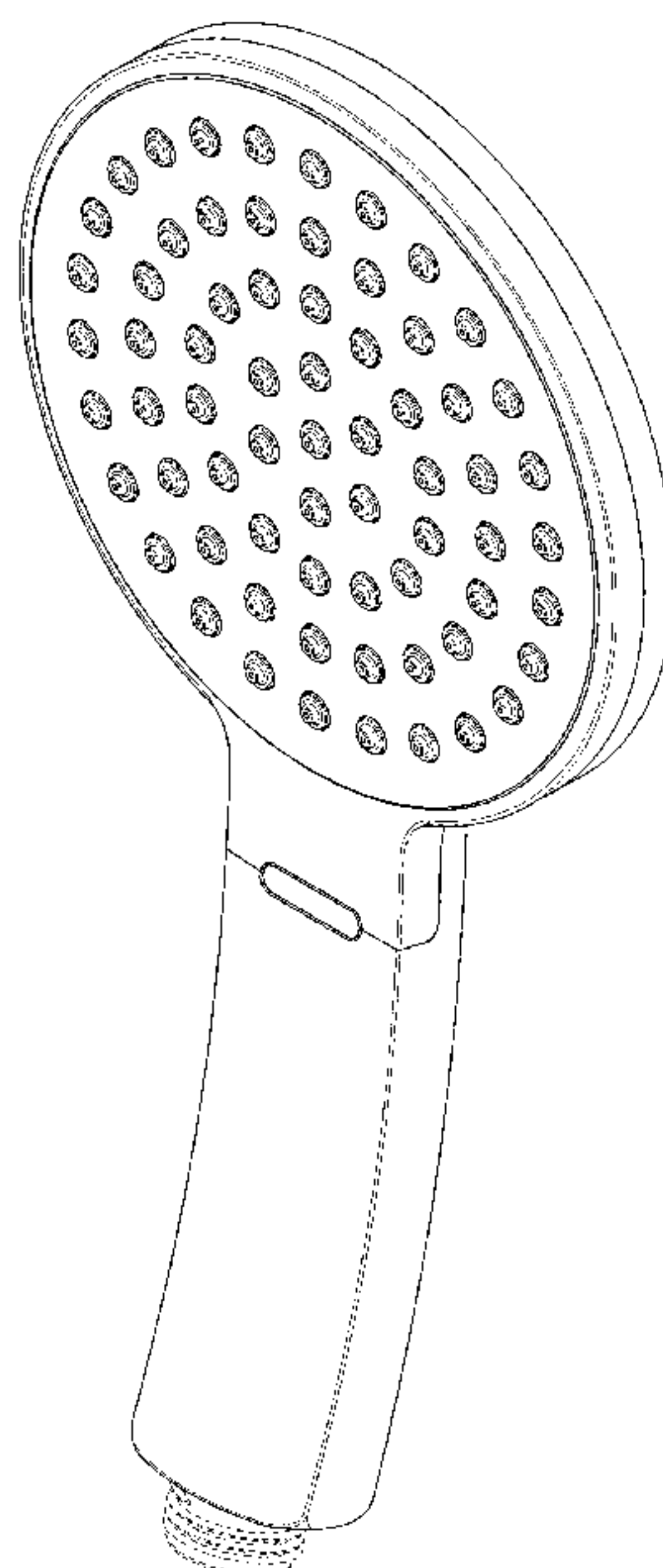
(57) **CLAIM**

We claim the ornamental design for a hand shower, as shown and described.

DESCRIPTION

FIG. 1 is a front top right perspective view of a hand shower incorporating our new design;
FIG. 2 is a rear view thereof;
FIG. 3 is a front view thereof;
FIG. 4 is a left side view thereof, the right side view being a mirror image thereof;
FIG. 5 is a top view thereof; and,
FIG. 6 is a bottom view thereof.
The broken line showing a portion of the hand shower is for illustration only and forms no part of the claimed design.

1 Claim, 5 Drawing Sheets



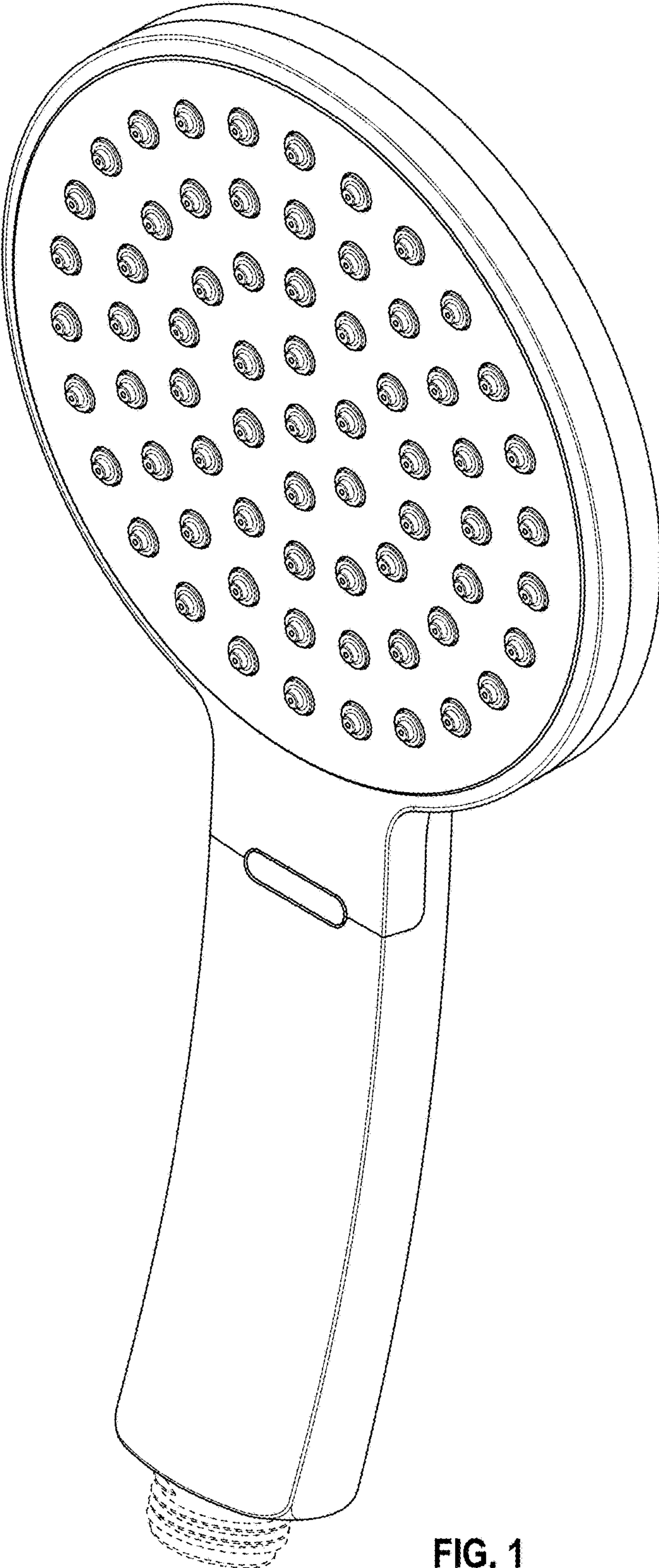


FIG. 1

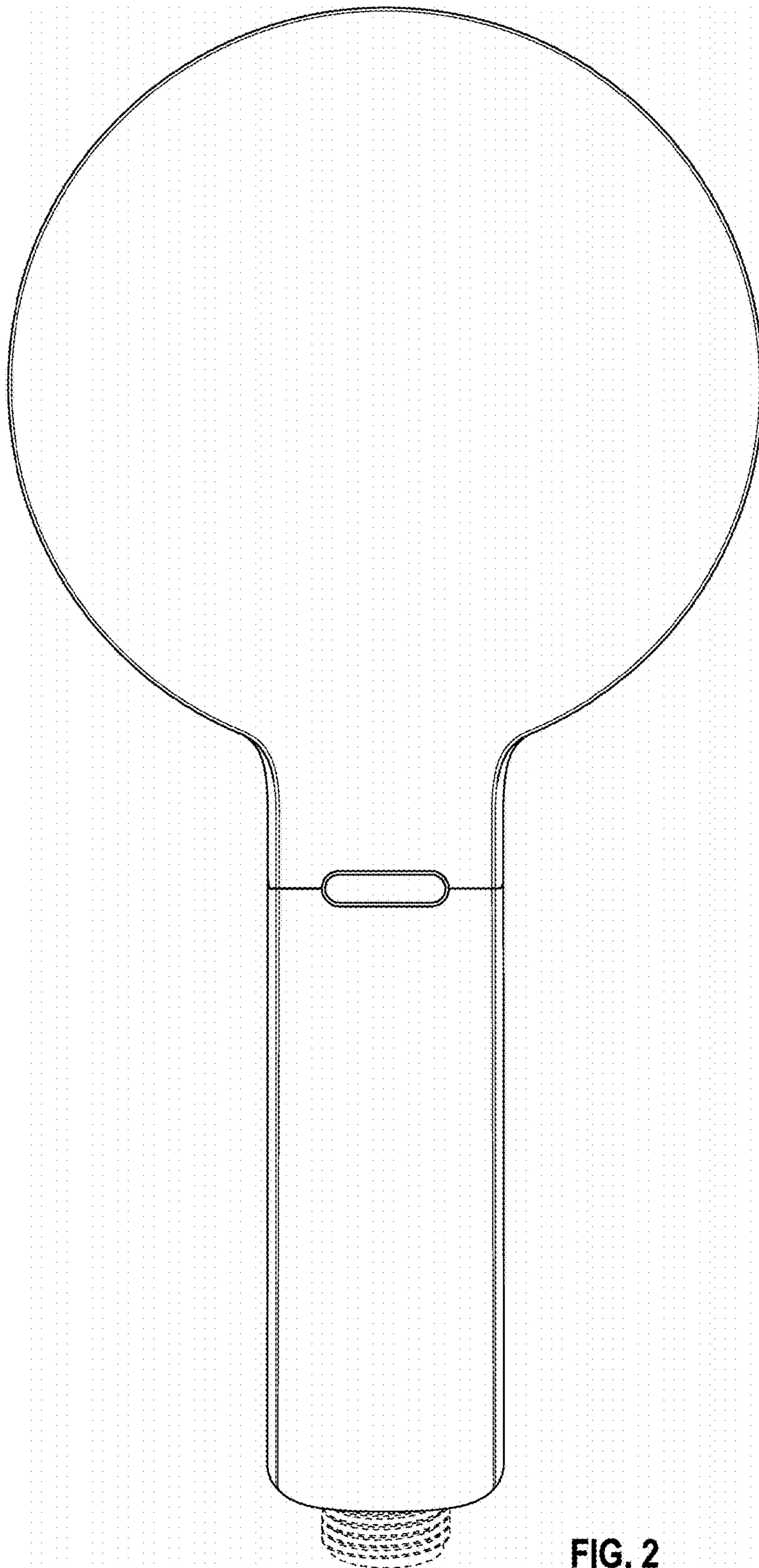


FIG. 2

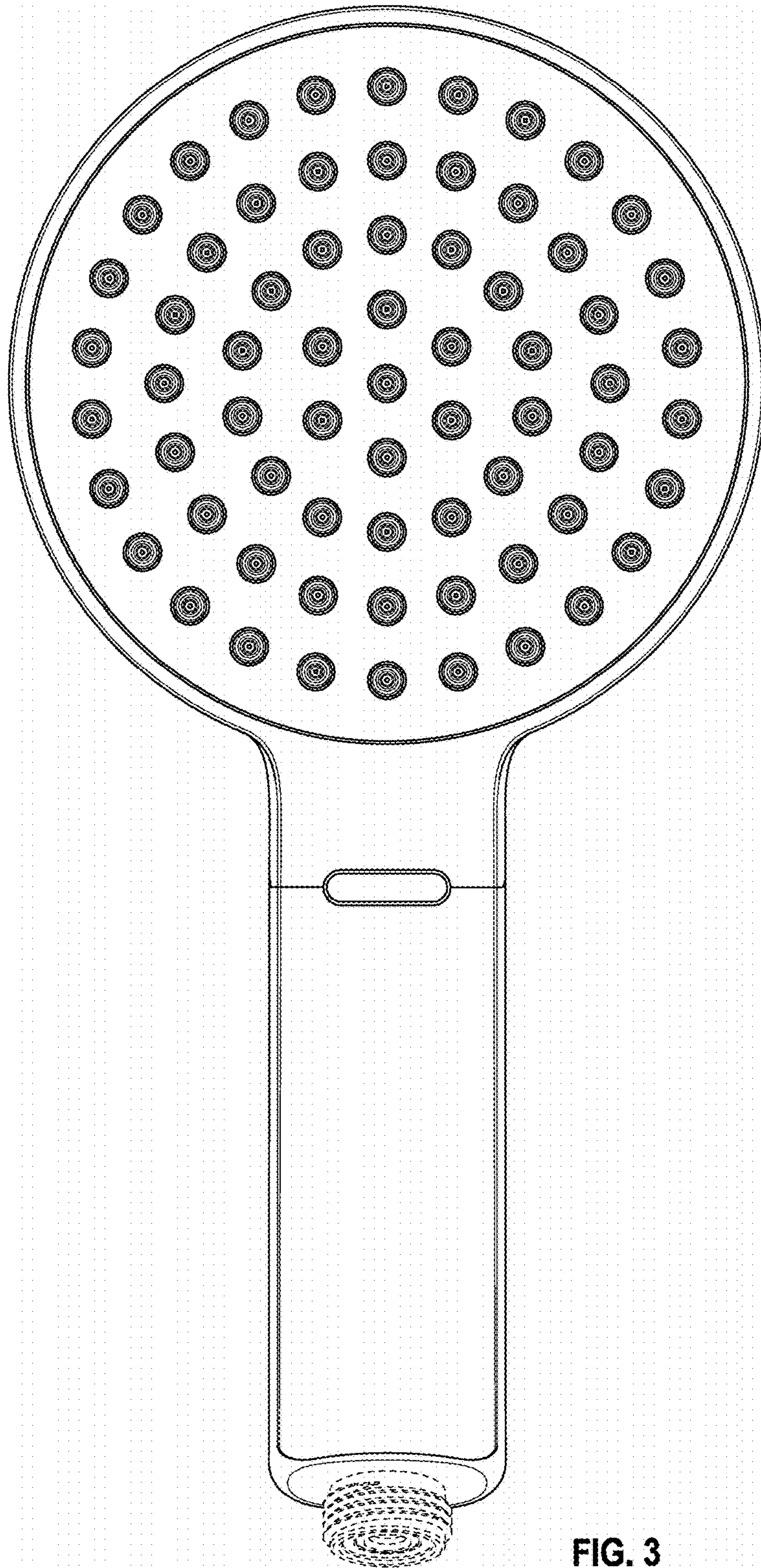


FIG. 3

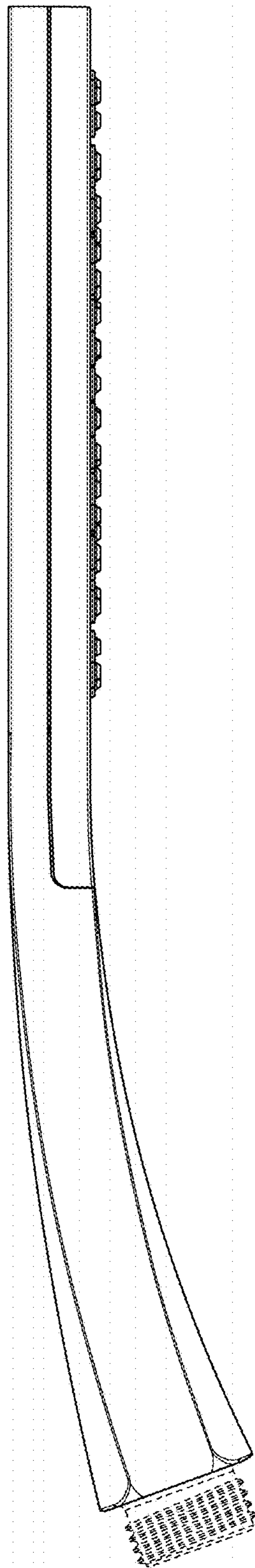


FIG. 4

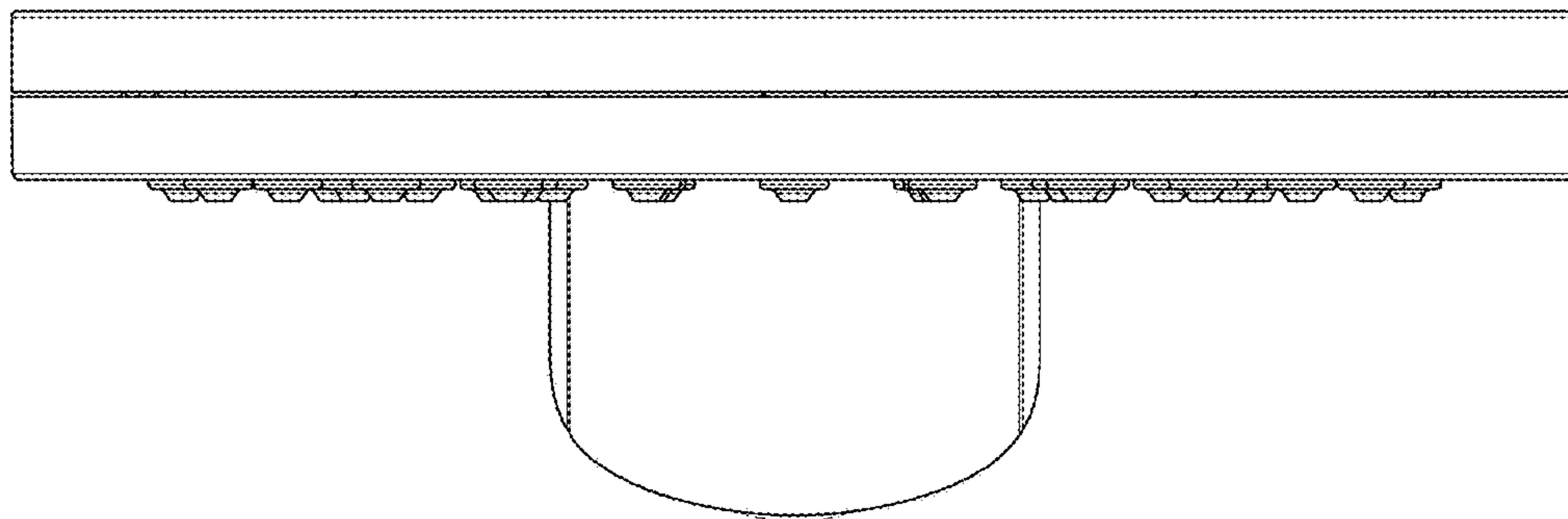


FIG. 5

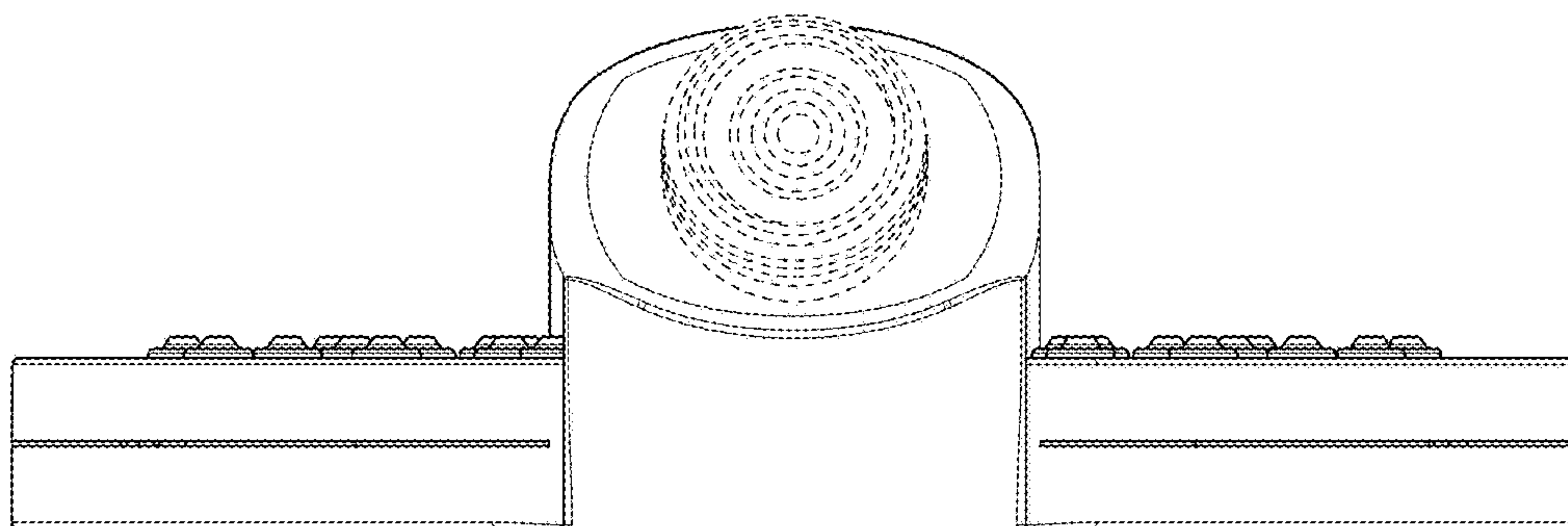


FIG. 6