



US00D847299S

(12) **United States Design Patent**
Thompson

(10) **Patent No.:** **US D847,299 S**

(45) **Date of Patent:** **** Apr. 30, 2019**

(54) **FUNNEL APPARATUS**

(71) Applicant: **Unified Science, LLC**, St. Croix Falls, MN (US)

(72) Inventor: **Jonathan Thompson**, Center City, MN (US)

(73) Assignee: **Unified Science LLC**, St. Croix Falls, MN (US)

(**) Term: **15 Years**

(21) Appl. No.: **29/610,169**

(22) Filed: **Jul. 10, 2017**

(51) **LOC (11) Cl.** **23-01**

(52) **U.S. Cl.**
USPC **D23/200**

(58) **Field of Classification Search**
USPC D23/200, 207, 209; D7/700; 210/651-1, 210/469

CPC B01D 61/00; B01D 61/14; B01D 61/142; B01D 35/18; C02F 1/002

See application file for complete search history.

(56) **References Cited**

U.S. PATENT DOCUMENTS

D185,115 S * 5/1959 Beerman D23/200
D306,951 S * 4/1990 Brandstrom D23/200

D310,123 S * 8/1990 Carlson D23/200
D317,850 S * 7/1991 Shaw D23/200
D757,889 S * 5/2016 Meyer D23/207
D816,799 S * 5/2018 Bell D23/209

* cited by examiner

Primary Examiner — Robin V Webster

(74) *Attorney, Agent, or Firm* — Haugen Law Firm PLLP

(57) **CLAIM**

The ornamental design for a funnel apparatus, as shown and described.

DESCRIPTION

FIG. 1 is a perspective view of the funnel apparatus of the present invention;

FIG. 2 is a perspective view of the funnel apparatus of the present invention;

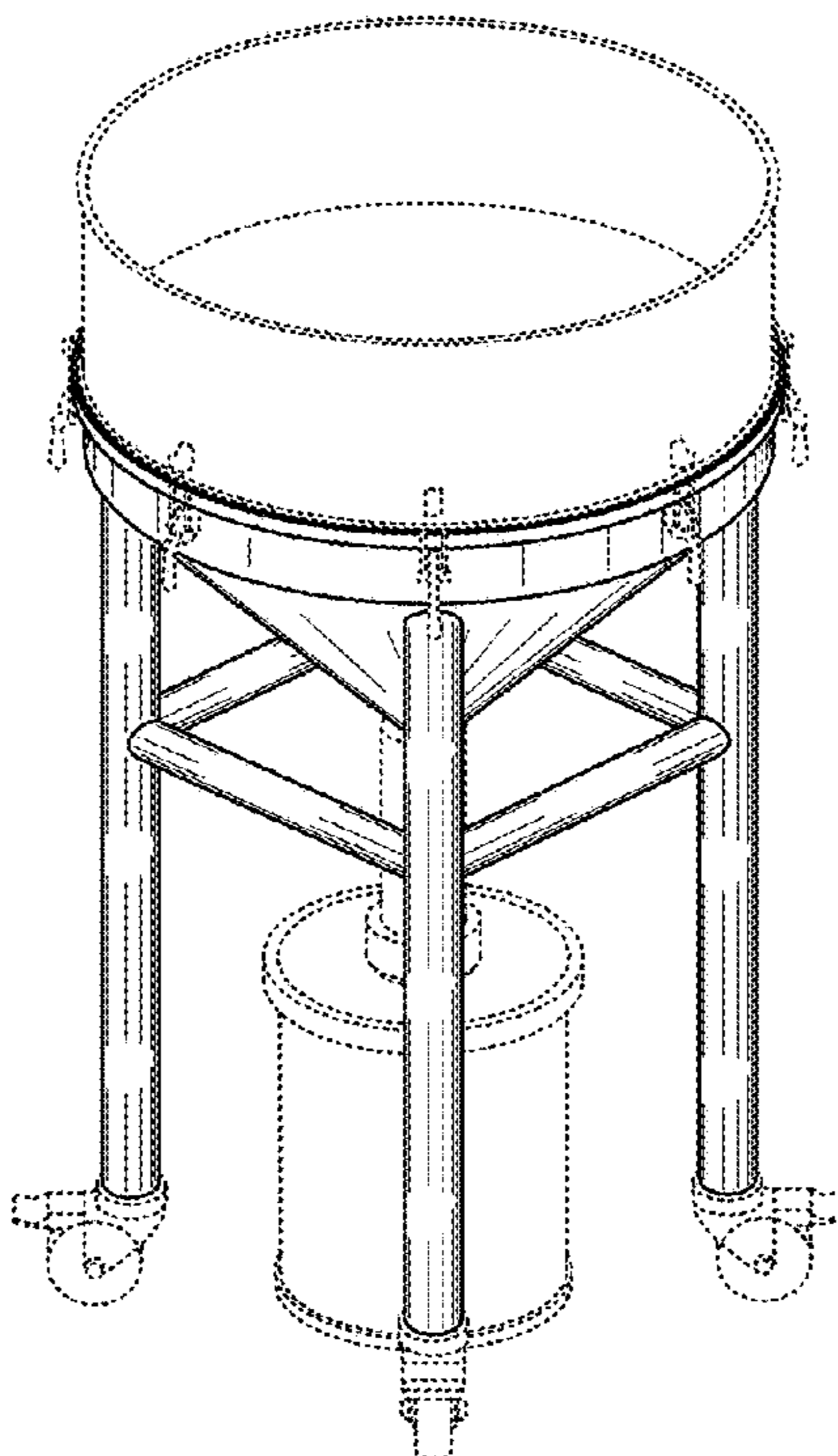
FIG. 3 is a front elevational view of the funnel apparatus of the present invention with the rear, left side, and right side elevational views being identical to the front elevational view;

FIG. 4 is a top plan view of the funnel apparatus of the present invention; and,

FIG. 5 is a bottom plan view of the funnel apparatus of the present invention.

The broken line showing of environmental structure is for illustrative purposes only, and forms no part of the claimed design.

1 Claim, 3 Drawing Sheets



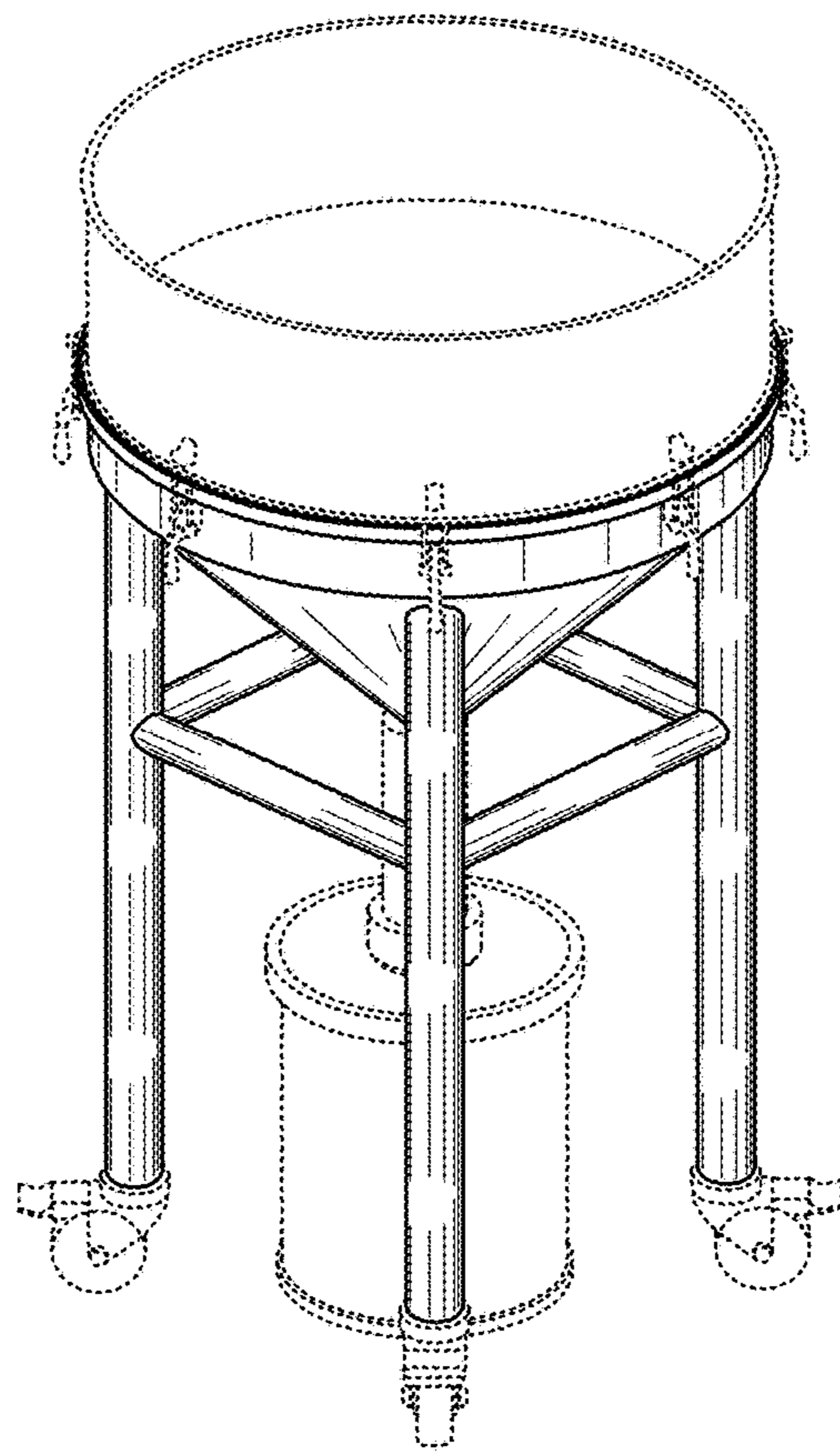


Fig. 1

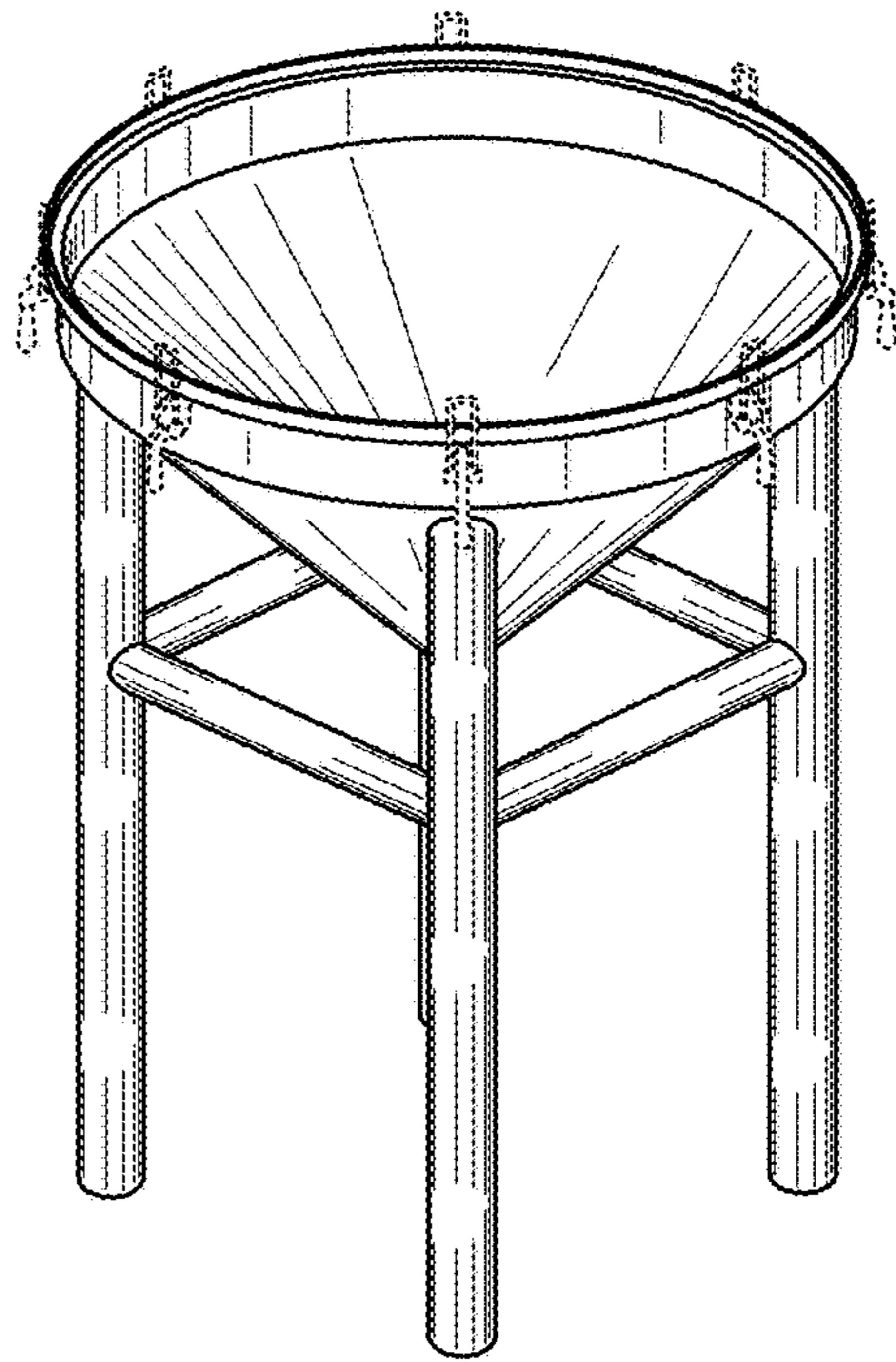


Fig. 2

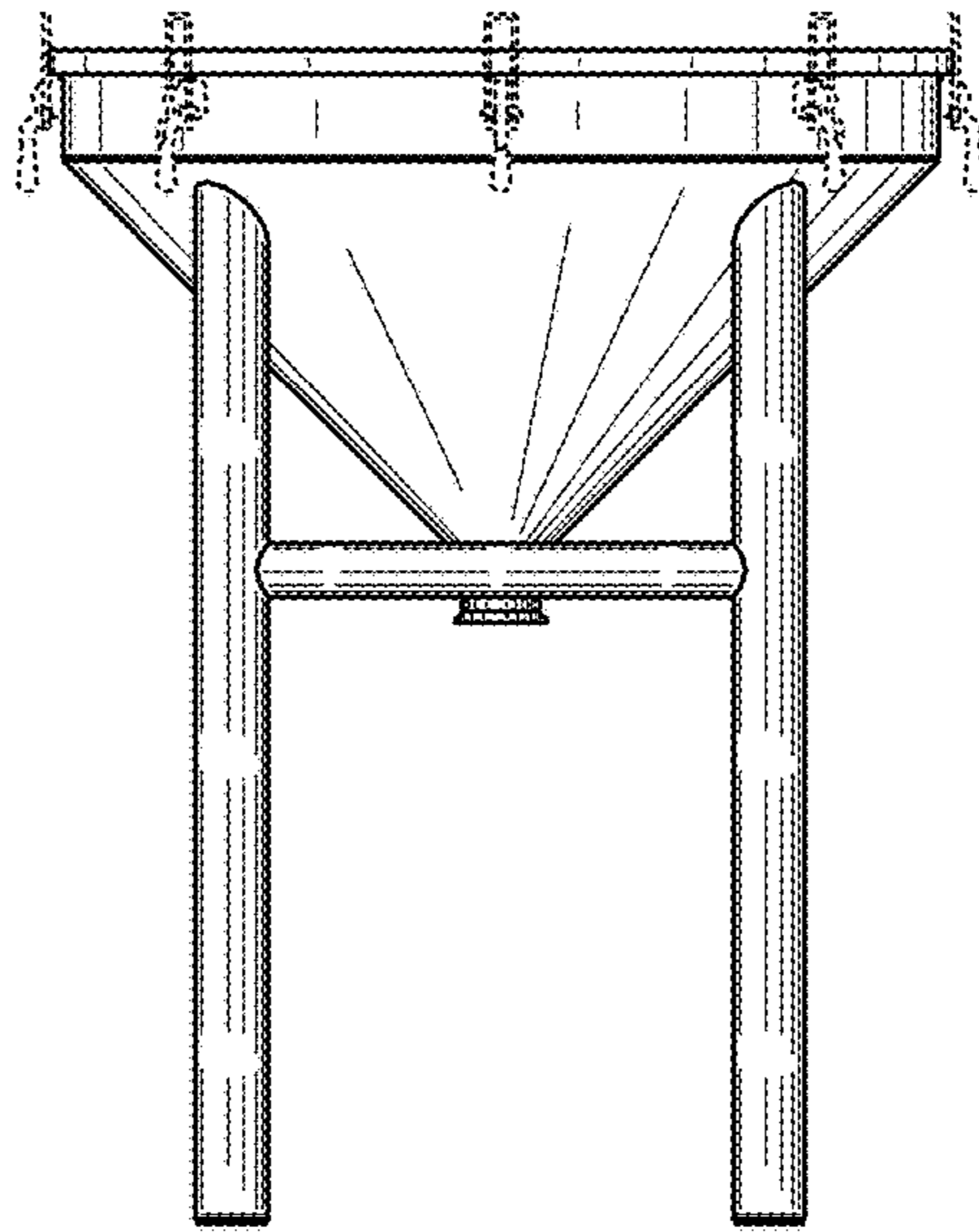


Fig. 3

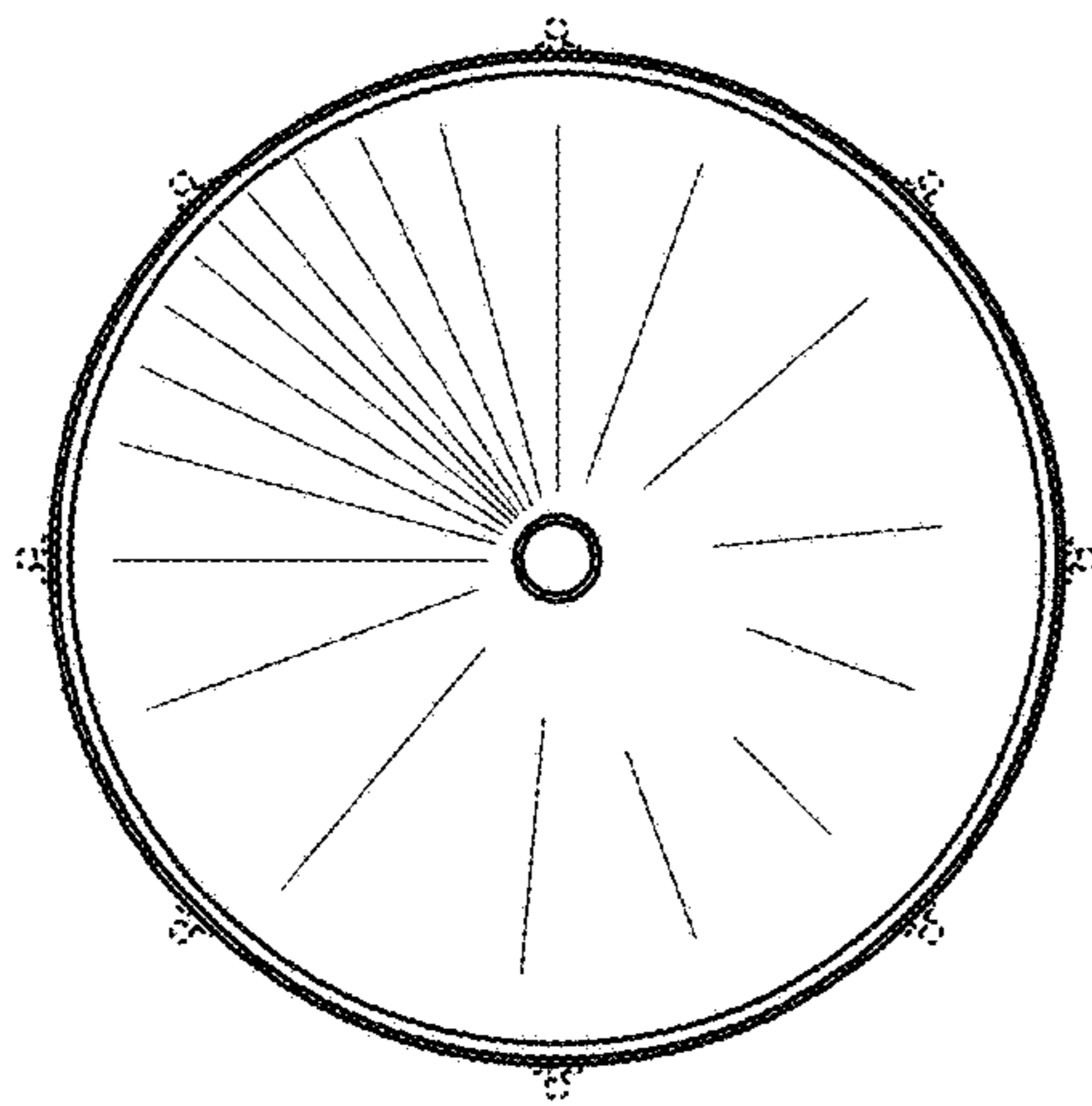


Fig. 4

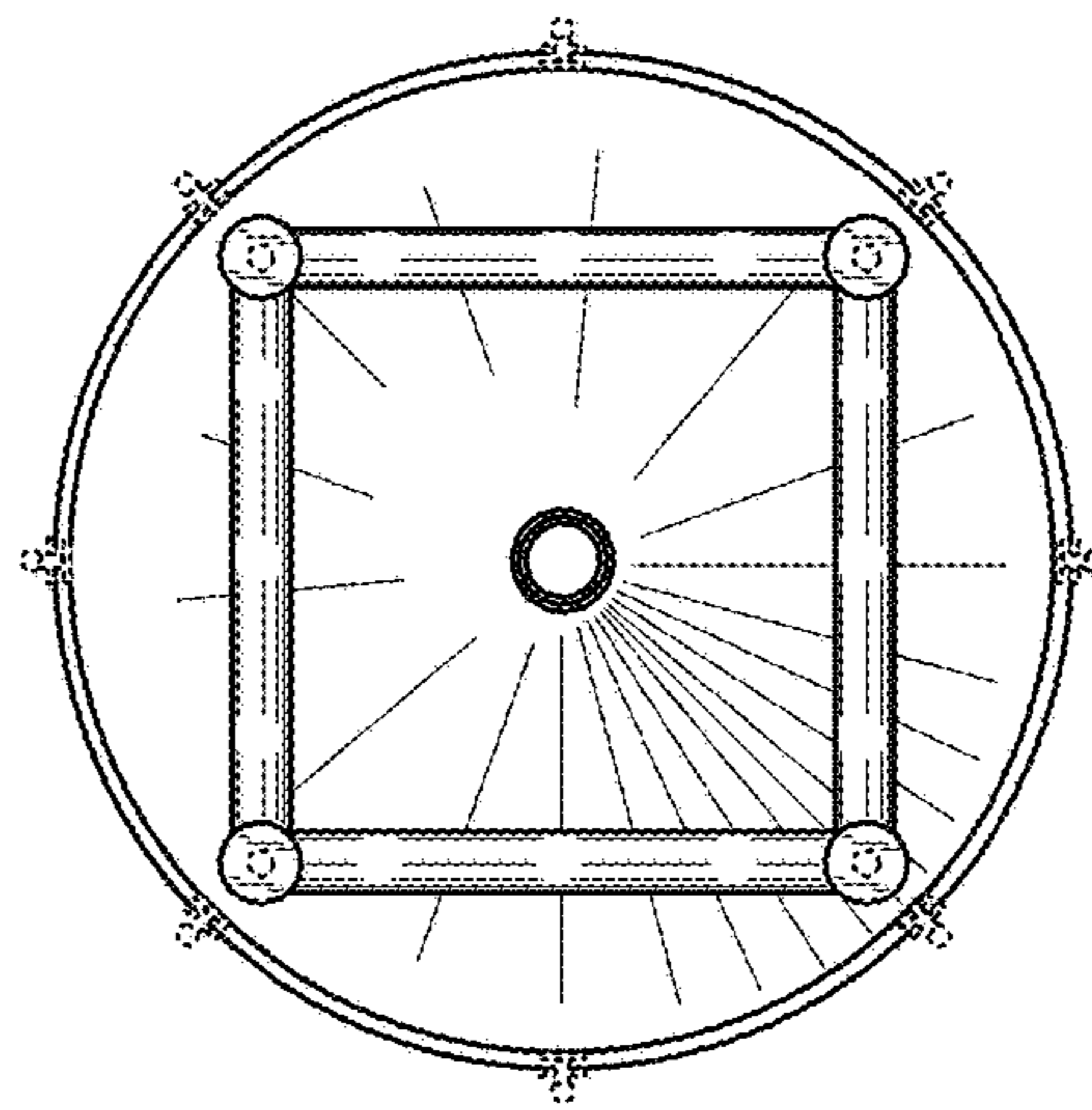


Fig. 5