



US00D847297S

(12) **United States Design Patent** (10) **Patent No.:** **US D847,297 S**
Hassman (45) **Date of Patent:** **** Apr. 30, 2019**

(54) **INSECT REPELLING DEVICE**
(71) Applicant: **Rodents Odor Free International Inc.,**
Saskatoon, Saskatchewan (CA)
(72) Inventor: **Todd Hassman,** Langley (CA)
(73) Assignee: **Rodents Odor Free International Inc.,**
Saskatoon, Saskatchewan (CA)

D654,979 S 2/2012 Smith et al.
8,490,325 B2 * 7/2013 Gargiulo A01M 29/34
416/501
9,232,782 B2 * 1/2016 Martinez Carrasco
A01M 29/06
9,554,569 B2 * 1/2017 Betts, Jr. A01M 29/06
2013/0067798 A1 * 3/2013 Keltner A01M 29/34
43/137

(**) Term: **15 Years**

(21) Appl. No.: **29/635,046**

(22) Filed: **Jan. 26, 2018**

(51) **LOC (11) Cl.** **22-06**

(52) **U.S. Cl.**
USPC **D22/122**

(58) **Field of Classification Search**
USPC D22/119–124; 43/125, 132.1, 137, 142;
D30/119, 199; 416/59–60, 501
CPC A01M 1/24; A01M 5/00; A01M 29/06;
A01M 29/34
See application file for complete search history.

(56) **References Cited**

U.S. PATENT DOCUMENTS

1,137,602 A * 4/1915 Goddard A01M 1/24
416/501
5,003,721 A * 4/1991 Underwood A01M 29/34
43/132.1
D328,806 S * 8/1992 Tucker D30/119
6,282,833 B1 * 9/2001 Dashefsky A01M 5/00
43/125

FOREIGN PATENT DOCUMENTS

AU 2011100135 B4 3/2011

* cited by examiner

Primary Examiner — Catherine R Oliver-Garcia
(74) *Attorney, Agent, or Firm* — Michael J. D'Angelo;
Haug Partners LLP

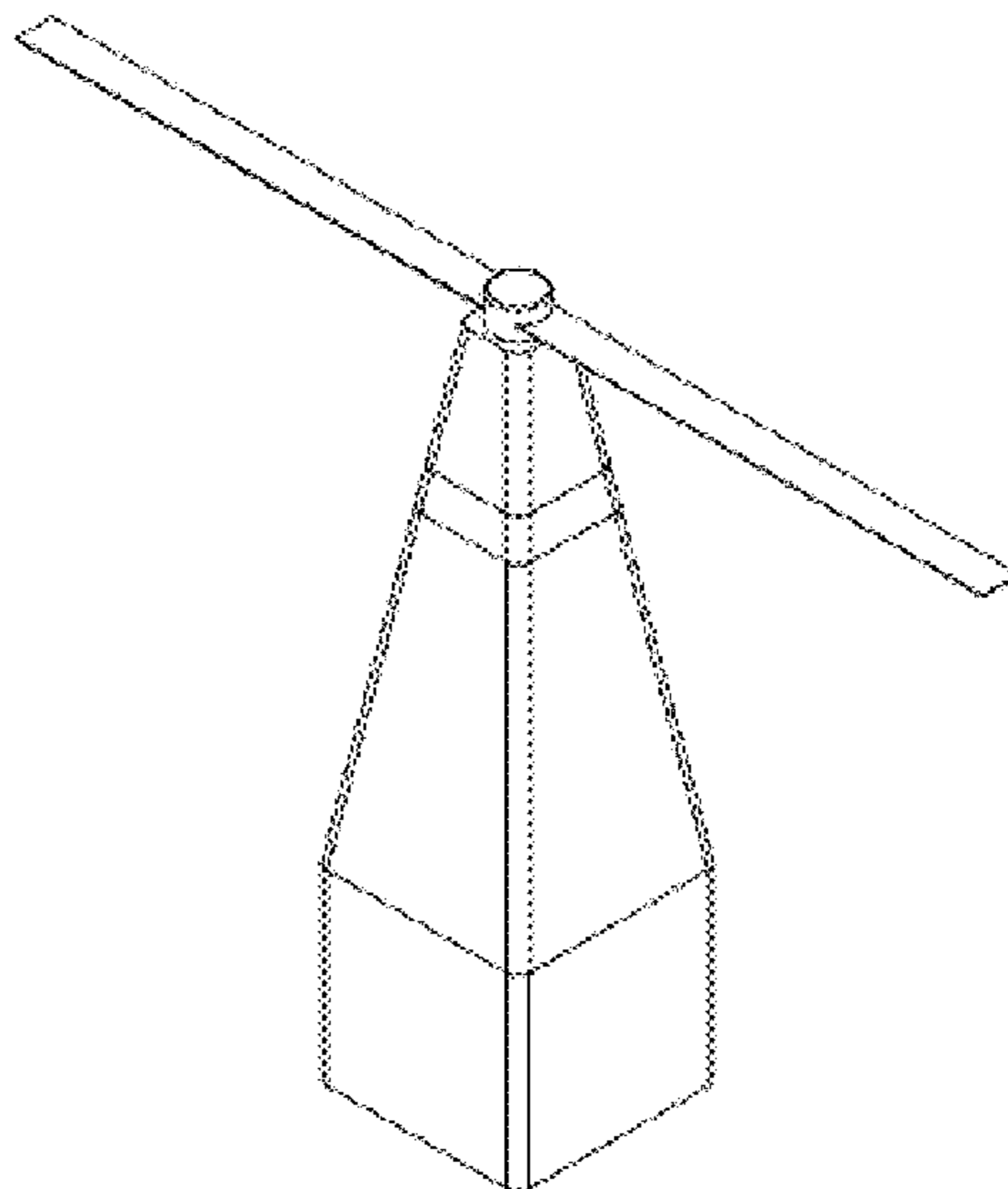
(57) **CLAIM**

The ornamental design for an insect repelling device, as shown and described.

DESCRIPTION

FIG. 1 is a front perspective view of an insect repelling device;
FIG. 2 is a front elevation view thereof;
FIG. 3 is a left side elevation view thereof;
FIG. 4 is a right side view thereof;
FIG. 5 is a rear elevation view thereof;
FIG. 6 is a top plan view thereof; and,
FIG. 7 is a bottom plan view thereof.
The broken lines shown in the figures are for the purpose of illustrating structure that forms no part of the claimed design.

1 Claim, 4 Drawing Sheets



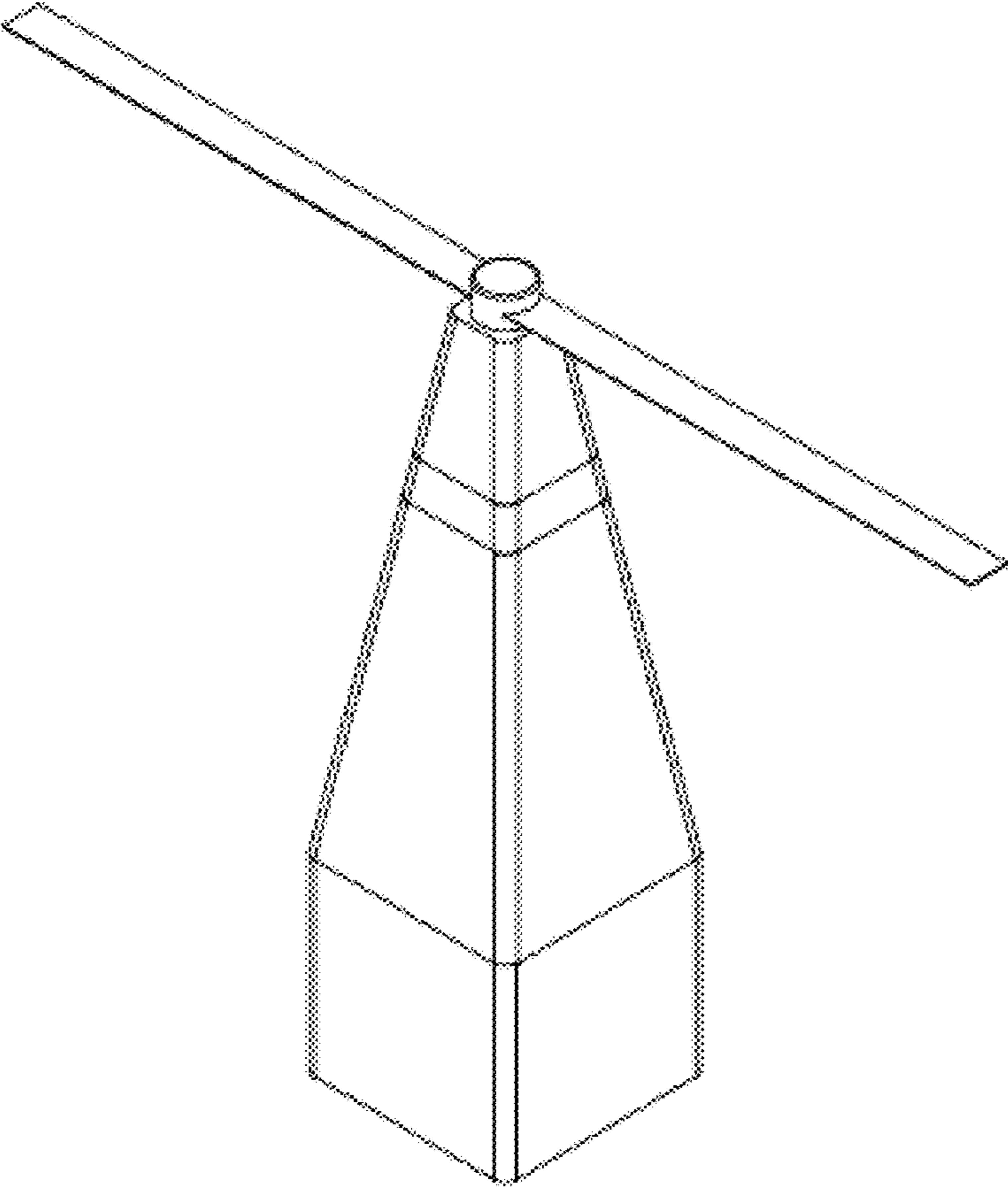


FIG. 1

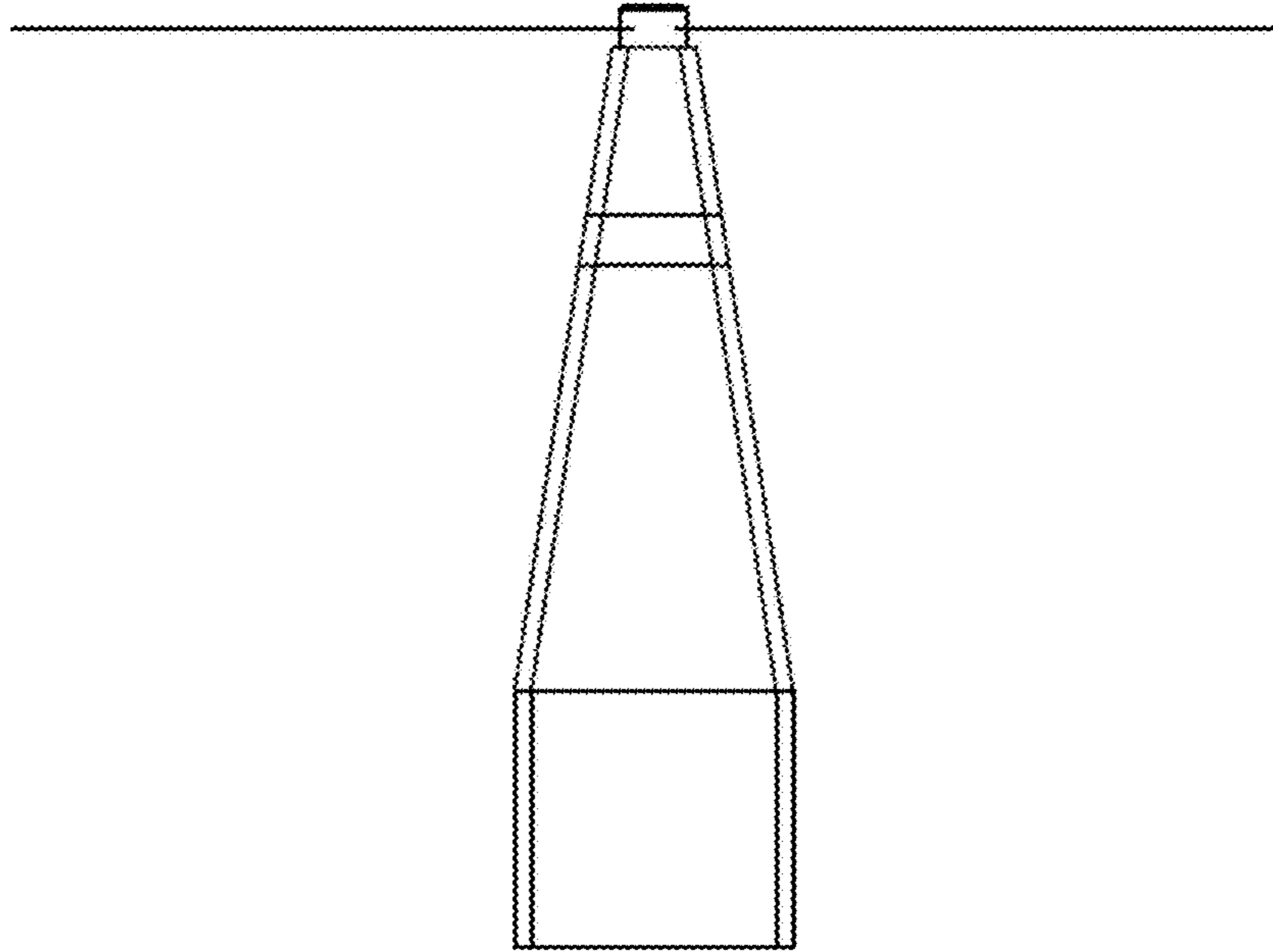


FIG. 2

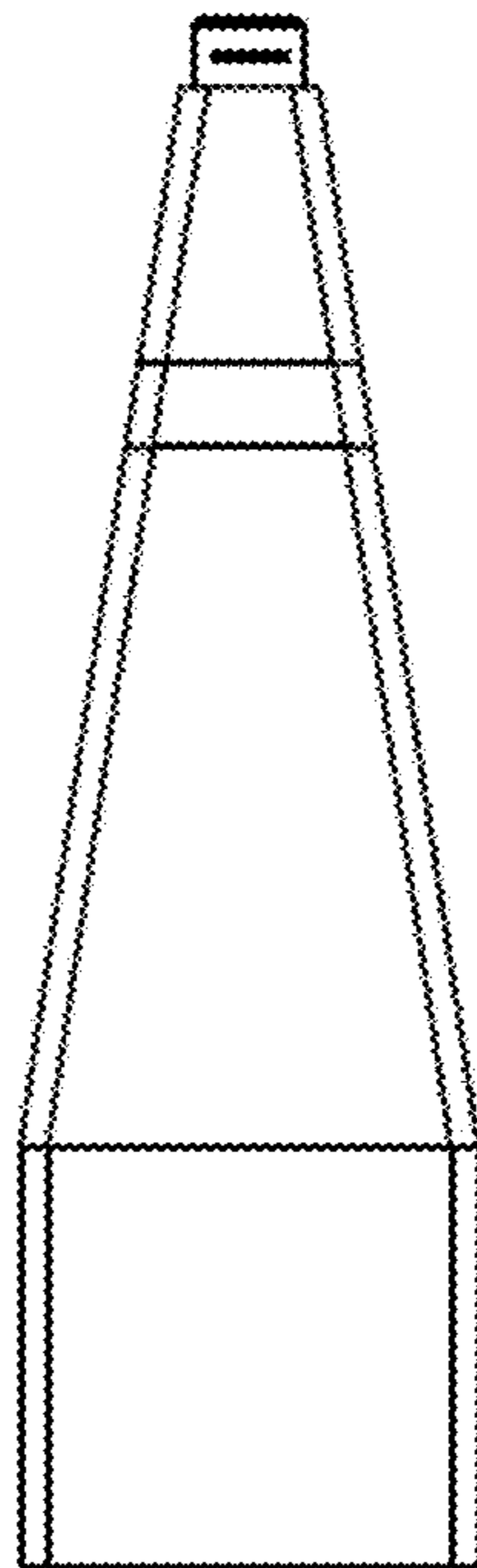


FIG. 3

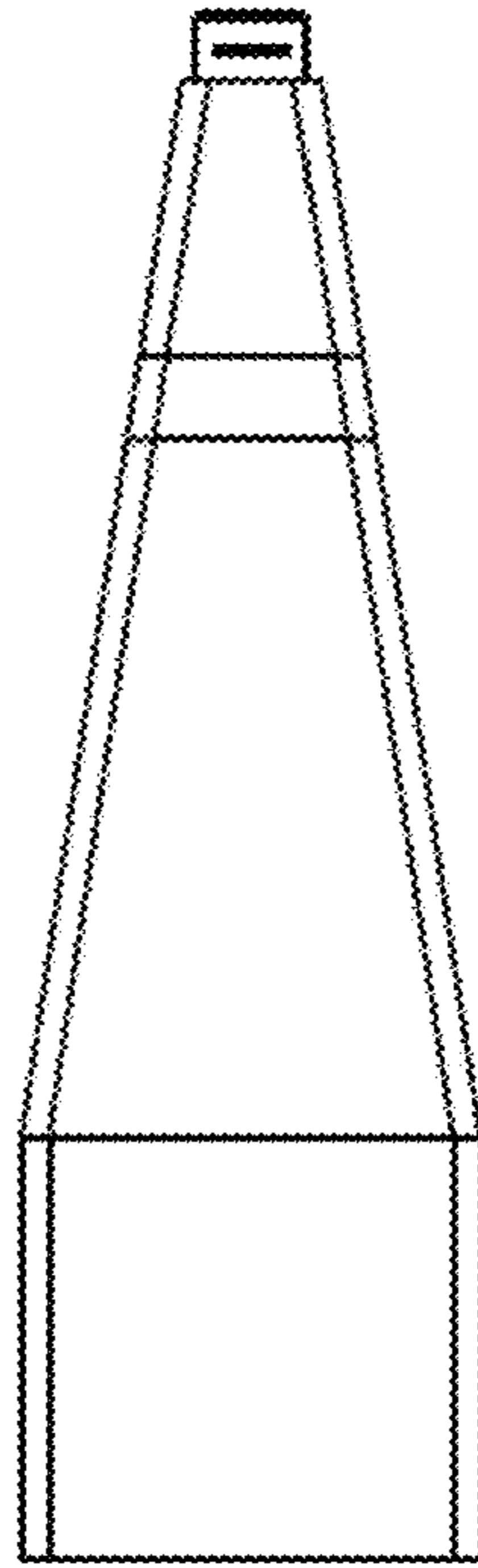


FIG. 4

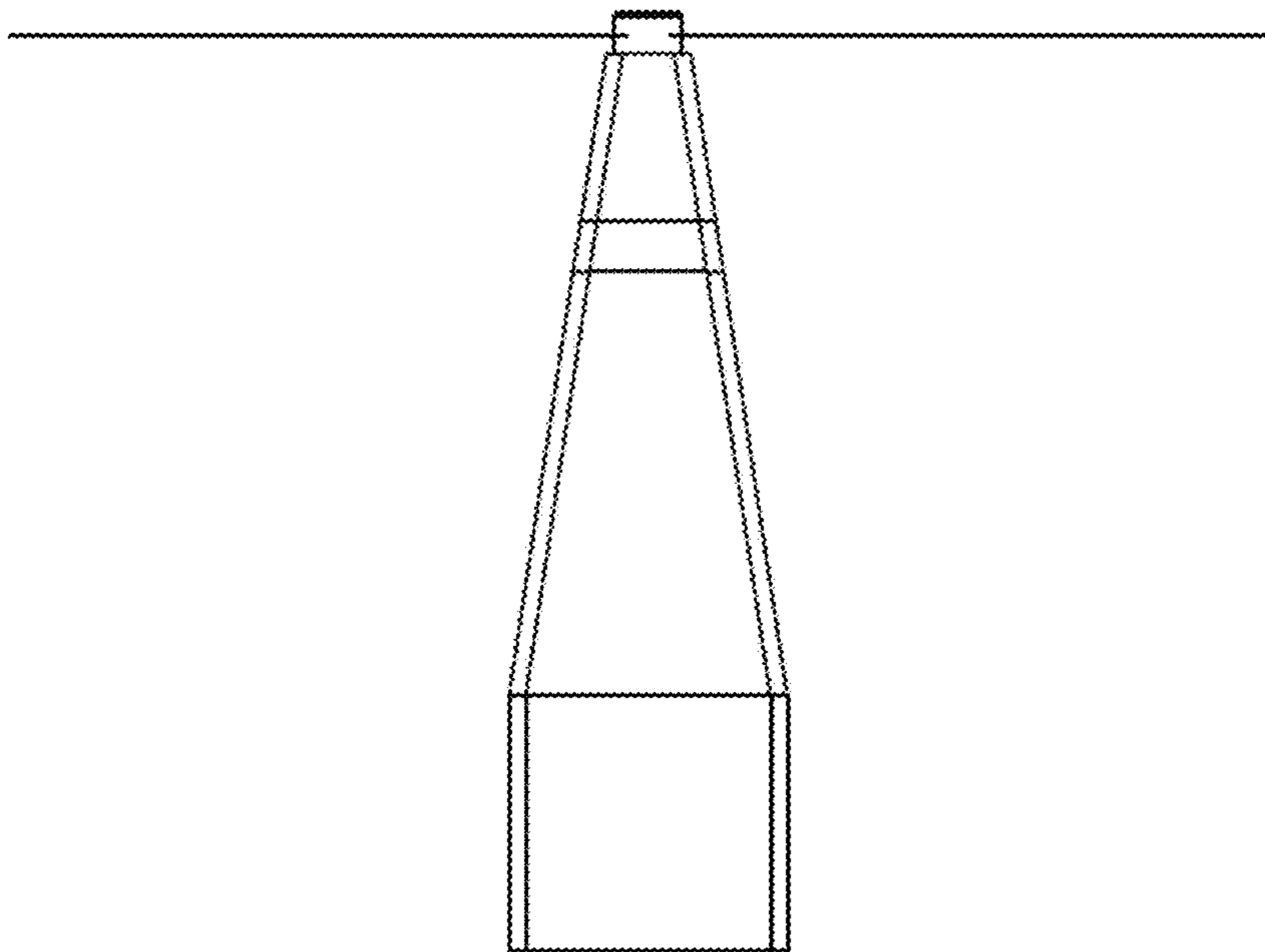


FIG. 5

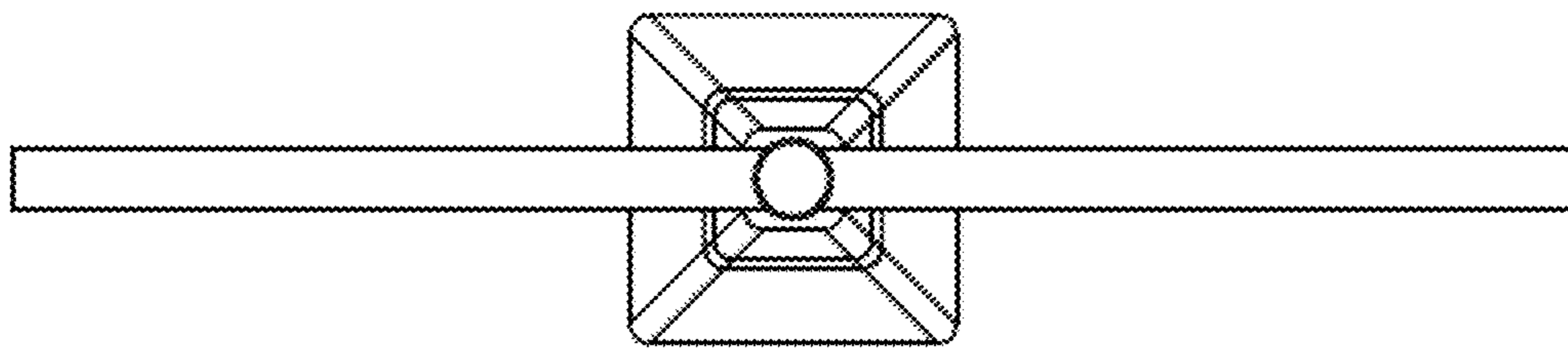


FIG. 6

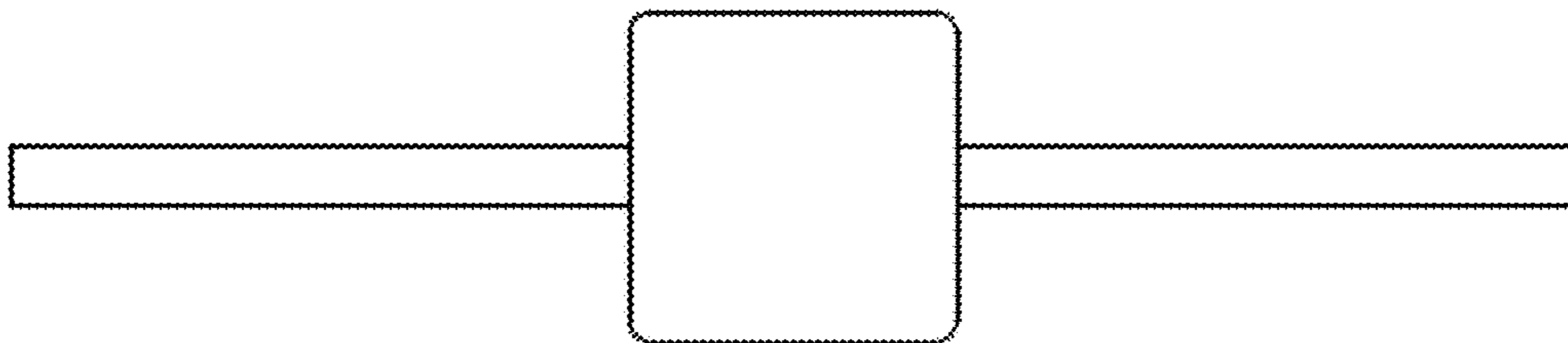


FIG. 7