



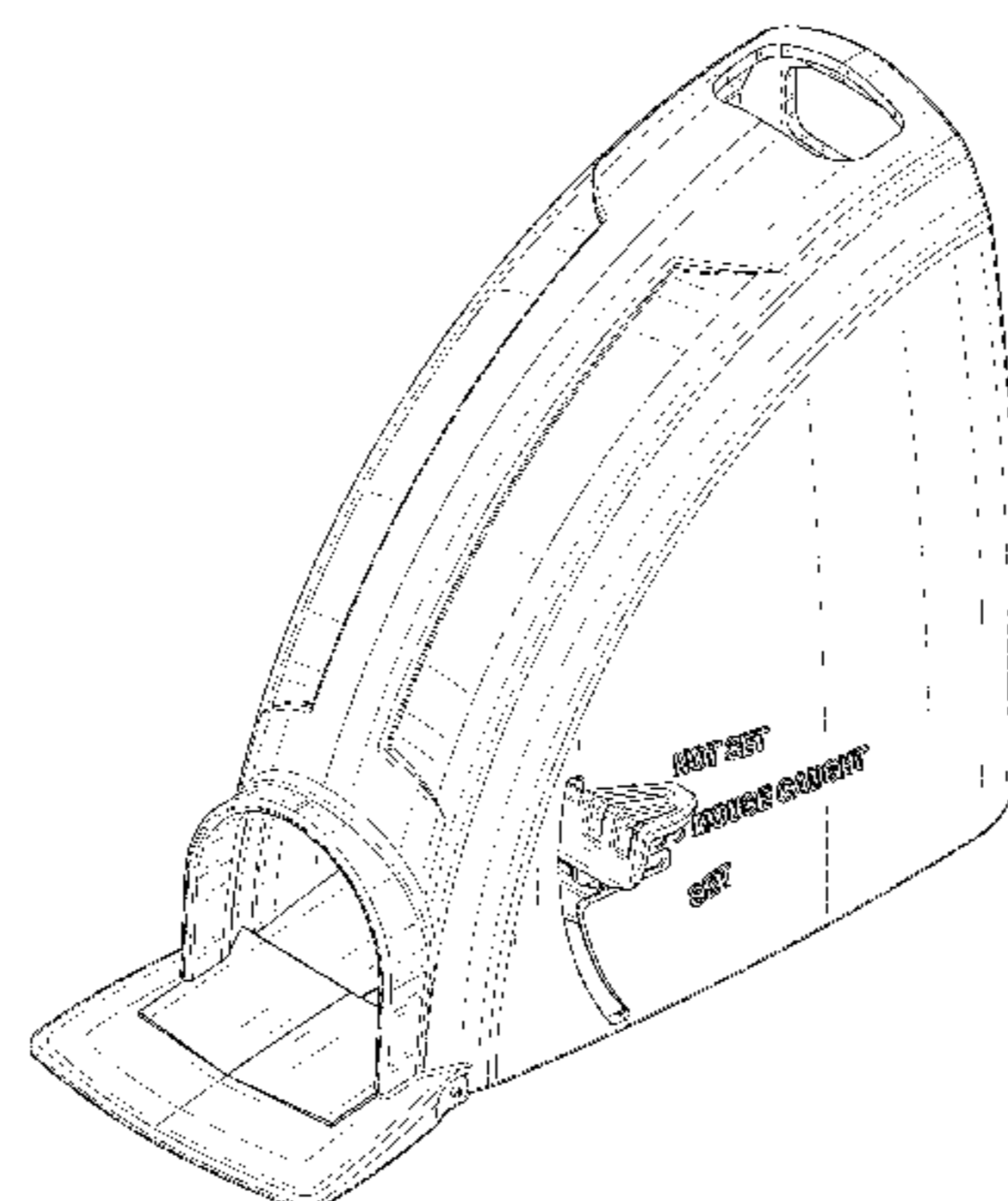
US00D847295S

(12) **United States Design Patent** (10) **Patent No.:** **US D847,295 S**
Walsh et al. (45) **Date of Patent:** **** Apr. 30, 2019**

- (54) **RODENT TRAP**
- (71) Applicants: **James R. Walsh**, Wauwatosa, WI (US);
Paul R. Zeamer, Madison, WI (US);
Daniel C. Johnson, Madison, WI (US)
- (72) Inventors: **James R. Walsh**, Wauwatosa, WI (US);
Paul R. Zeamer, Madison, WI (US);
Daniel C. Johnson, Madison, WI (US)
- (73) Assignee: **OMS Investments, Inc.**, Los Angeles, CA (US)
- (**) Term: **15 Years**
- (21) Appl. No.: **29/590,426**
- (22) Filed: **Jan. 10, 2017**
- (51) **LOC (11) Cl.** **22-05**
- (52) **U.S. Cl.**
USPC **D22/119**
- (58) **Field of Classification Search**
USPC D22/119-124; 43/58, 60-61, 65-67, 70,
43/73
CPC A01M 1/00; A01M 1/02; A01M 1/10;
A01M 1/103; A01M 1/106; A01M 1/14
See application file for complete search history.

4,852,294 A	8/1989	Langli
4,856,225 A	8/1989	Radesky et al.
4,858,373 A	8/1989	Combs
4,926,581 A	5/1990	Grivas
5,040,327 A	8/1991	Stack et al.
5,044,113 A	9/1991	Stack et al.
5,148,624 A	9/1992	Schmidt
5,172,512 A	12/1992	Bodker et al.
D346,199 S	4/1994	Spragins et al.
5,337,512 A	8/1994	Krenzler
5,384,981 A	1/1995	Cohen
5,398,442 A	3/1995	Musket
5,448,852 A	9/1995	Spragins et al.
5,471,781 A	12/1995	Vine
5,477,636 A	12/1995	Musket
5,481,824 A	1/1996	Fiore, Jr.
5,572,825 A	11/1996	Gehret
5,577,342 A	11/1996	Johnson et al.
D385,611 S	10/1997	Prince et al.
D386,554 S	11/1997	Brewer
5,692,336 A	12/1997	Fiore, Jr. et al.
5,746,020 A	5/1998	Fiore, Jr. et al.
5,806,237 A	9/1998	Nelson et al.
D409,711 S	5/1999	Johnson
5,950,353 A	9/1999	Johnson et al.
6,047,494 A	4/2000	Johnson et al.
D441,828 S	5/2001	Leyerle et al.
6,266,917 B1	7/2001	Hight
6,389,738 B1	5/2002	Denny et al.
D459,428 S	6/2002	Johnson et al.
6,397,517 B1	6/2002	Leyerle et al.
6,415,544 B1	7/2002	Leyerle et al.
6,481,151 B1	11/2002	Johnson et al.
6,493,988 B1	12/2002	Johnson
6,508,031 B1	1/2003	Johnson et al.
6,574,912 B1	6/2003	Johnson
6,594,948 B1	7/2003	Novack
6,609,328 B2	8/2003	Swift et al.
6,622,422 B2	9/2003	Gehret et al.
6,631,582 B2	10/2003	Knuppel et al.
D485,597 S	1/2004	Turner
6,684,560 B2	2/2004	Lafforthun
6,691,452 B1	2/2004	Knuppel et al.
6,694,669 B2	2/2004	Gehret et al.
6,735,899 B1	5/2004	Anderson et al.
6,775,947 B2	8/2004	Anderson et al.
6,796,081 B2	9/2004	Anderson et al.
6,807,768 B2	10/2004	Johnson et al.
6,836,999 B2	1/2005	Rich et al.
6,938,368 B2	9/2005	Guidry
6,955,007 B2	10/2005	Gehret et al.
6,990,766 B2	1/2006	Gehret et al.
D514,655 S	2/2006	Rodgers et al.

- (56) **References Cited**
- U.S. PATENT DOCUMENTS
- | | | |
|-------------|---------|-----------------|
| 83,074 A | 10/1868 | McClure |
| 441,677 A | 12/1890 | Lovell |
| 982,486 A | 1/1911 | Edwards |
| 1,281,876 A | 10/1918 | Taylor |
| D57,320 S | 3/1921 | Dorsch |
| 1,587,536 A | 6/1926 | Lobit |
| 1,677,470 A | 7/1928 | Dorsch et al. |
| 2,529,589 A | 11/1950 | Biery |
| 4,030,230 A | 6/1977 | Souza |
| 4,144,667 A | 3/1979 | Souza |
| 4,245,423 A | 1/1981 | Souza et al. |
| 4,253,264 A | 3/1981 | Souza |
| 4,769,942 A | 9/1988 | Copenhaver, Sr. |
| 4,803,799 A | 2/1989 | Vajs et al. |
| D300,163 S | 3/1989 | Landell et al. |



D515,175	S	2/2006	Mayo et al.	
7,010,882	B2	3/2006	Rich et al.	
7,069,688	B2	7/2006	Hill	
7,089,701	B2	8/2006	Frisch	
D529,571	S	10/2006	Hoyes	
7,171,777	B2	2/2007	Welin-Berger	
7,219,466	B2	5/2007	Rich et al.	
7,231,738	B2	6/2007	Watson et al.	
D573,224	S	7/2008	Rodriguez	
D577,412	S *	9/2008	Nathan	D22/119
D589,583	S	3/2009	Phillips et al.	
D589,584	S *	3/2009	Phillips	D22/119
D619,673	S *	7/2010	Cink	D22/119
7,814,702	B2	10/2010	Nathan et al.	
D673,640	S *	1/2013	Bailey	D22/119
D678,977	S *	3/2013	Huang	D22/119
D722,127	S *	2/2015	Huang	D22/119
2004/0025410	A1	2/2004	Shaplund	
2004/0088903	A1	5/2004	Poche	
2004/0244274	A1	12/2004	Dellevigne et al.	
2005/0279015	A1	12/2005	Hall	
2006/0032110	A1	1/2006	Yang	
2006/0042153	A1	3/2006	Bowerman	
2006/0053682	A1	3/2006	Goldstein	
2006/0117644	A1	6/2006	Hoyes et al.	
2006/0156615	A1	7/2006	Hale	
2006/0156617	A1	7/2006	Hale	
2006/0265941	A1	11/2006	Newton	
2006/0272197	A1	12/2006	Wiesener et al.	
2007/0017148	A1	1/2007	Blau	
2007/0017149	A1	1/2007	Rodgers et al.	

FOREIGN PATENT DOCUMENTS

EP	0280504	8/1988
EP	05553336	8/1993
EP	0745323	12/1996
EP	1149530	10/2001
GB	2384966	8/2003
JP	6165630	6/1994
WO	WO 02/102147	12/2002
WO	WO 2005/022992	3/2005

* cited by examiner

Primary Examiner — Catherine R Oliver-Garcia
(74) Attorney, Agent, or Firm — Ulmer & Berne, LLP

(57) CLAIM

The ornamental design for a rodent trap, as shown and described.

DESCRIPTION

FIG. 1 is a top, front, right side perspective view of a first embodiment of a rodent trap showing our new design;
 FIG. 2 is a top, front, left side perspective view thereof;
 FIG. 3 is a front elevation view thereof;
 FIG. 4 is a rear elevation view thereof;
 FIG. 5 is a left side elevation view thereof;
 FIG. 6 is a right side elevation view thereof;
 FIG. 7 is a top plan view thereof;
 FIG. 8 is a bottom plan view thereof;
 FIG. 9 is a bottom, rear, left side perspective view thereof;
 and
 FIG. 10 is bottom, rear, right side perspective view thereof.
 FIG. 11 is a top, front, right side perspective view of a second embodiment of a rodent trap showing our new design;
 FIG. 12 is a top, front, left side perspective view thereof;
 FIG. 13 is a front elevation view thereof;
 FIG. 14 is a rear elevation view thereof;
 FIG. 15 is a left side elevation view thereof;

FIG. 16 is a right side elevation view thereof;
 FIG. 17 is a top plan view thereof;
 FIG. 18 is a bottom plan view thereof;
 FIG. 19 is a bottom, rear, left side perspective view thereof;
 and
 FIG. 20 is bottom, rear, right side perspective view thereof.
 FIG. 21 is a top, front, right side perspective view of a third embodiment of a rodent trap showing our new design;
 FIG. 22 is a top, front, left side perspective view thereof;
 FIG. 23 is a front elevation view thereof;
 FIG. 24 is a rear elevation view thereof;
 FIG. 25 is a left side elevation view thereof;
 FIG. 26 is a right side elevation view thereof;
 FIG. 27 is a top plan view thereof;
 FIG. 28 is a bottom plan view thereof;
 FIG. 29 is a bottom, rear, left side perspective view thereof;
 and
 FIG. 30 is bottom, rear, right side perspective view thereof.
 FIG. 31 is a top, front, right side perspective view of a fourth embodiment of a rodent trap showing our new design;
 FIG. 32 is a top, front, left side perspective view thereof;
 FIG. 33 is a front elevation view thereof;
 FIG. 34 is a rear elevation view thereof;
 FIG. 35 is a left side elevation view thereof;
 FIG. 36 is a right side elevation view thereof;
 FIG. 37 is a top plan view thereof;
 FIG. 38 is a bottom plan view thereof;
 FIG. 39 is a bottom, rear, left side perspective view thereof;
 and
 FIG. 40 is bottom, rear, right side perspective view thereof.
 FIG. 41 is a top, front, right side perspective view of a fifth embodiment of a rodent trap showing our new design;
 FIG. 42 is a top, front, left side perspective view thereof;
 FIG. 43 is a front elevation view thereof;
 FIG. 44 is a rear elevation view thereof;
 FIG. 45 is a left side elevation view thereof;
 FIG. 46 is a right side elevation view thereof;
 FIG. 47 is a top plan view thereof;
 FIG. 48 is a bottom plan view thereof;
 FIG. 49 is a bottom, rear, left side perspective view thereof;
 and
 FIG. 50 is bottom, rear, right side perspective view thereof.
 FIG. 51 is a top, front, right side perspective view of a sixth embodiment of a rodent trap showing our new design;
 FIG. 52 is a top, front, left side perspective view thereof;
 FIG. 53 is a front elevation view thereof;
 FIG. 54 is a rear elevation view thereof;
 FIG. 55 is a left side elevation view thereof;
 FIG. 56 is a right side elevation view thereof;
 FIG. 57 is a top plan view thereof;
 FIG. 58 is a bottom plan view thereof;
 FIG. 59 is a bottom, rear, left side perspective view thereof;
 and
 FIG. 60 is bottom, rear, right side perspective view thereof.
 FIG. 61 is a top, front, right side perspective view of a seventh embodiment of a rodent trap showing our new design;
 FIG. 62 is a top, front, left side perspective view thereof;
 FIG. 63 is a front elevation view thereof;
 FIG. 64 is a rear elevation view thereof;
 FIG. 65 is a left side elevation view thereof;
 FIG. 66 is a right side elevation view thereof;
 FIG. 67 is a top plan view thereof;
 FIG. 68 is a bottom plan view thereof;

FIG. 69 is a bottom, rear, left side perspective view thereof;
and
FIG. 70 is bottom, rear, right side perspective view thereof.
FIG. 71 is a top, front, right side perspective view of a,
eighth embodiment of a rodent trap showing our new design;
FIG. 72 is a top, front, left side perspective view thereof;
FIG. 73 is a front elevation view thereof;
FIG. 74 is a rear elevation view thereof;
FIG. 75 is a left side elevation view thereof;
FIG. 76 is a right side elevation view thereof;
FIG. 77 is a top plan view thereof;
FIG. 78 is a bottom plan view thereof;
FIG. 79 is a bottom, rear, left side perspective view thereof;
and,
FIG. 80 is bottom, rear, right side perspective view thereof.
The dashed broken lines in the figures show portions of the
rodent trap that form no part of the claimed design.

1 Claim, 80 Drawing Sheets

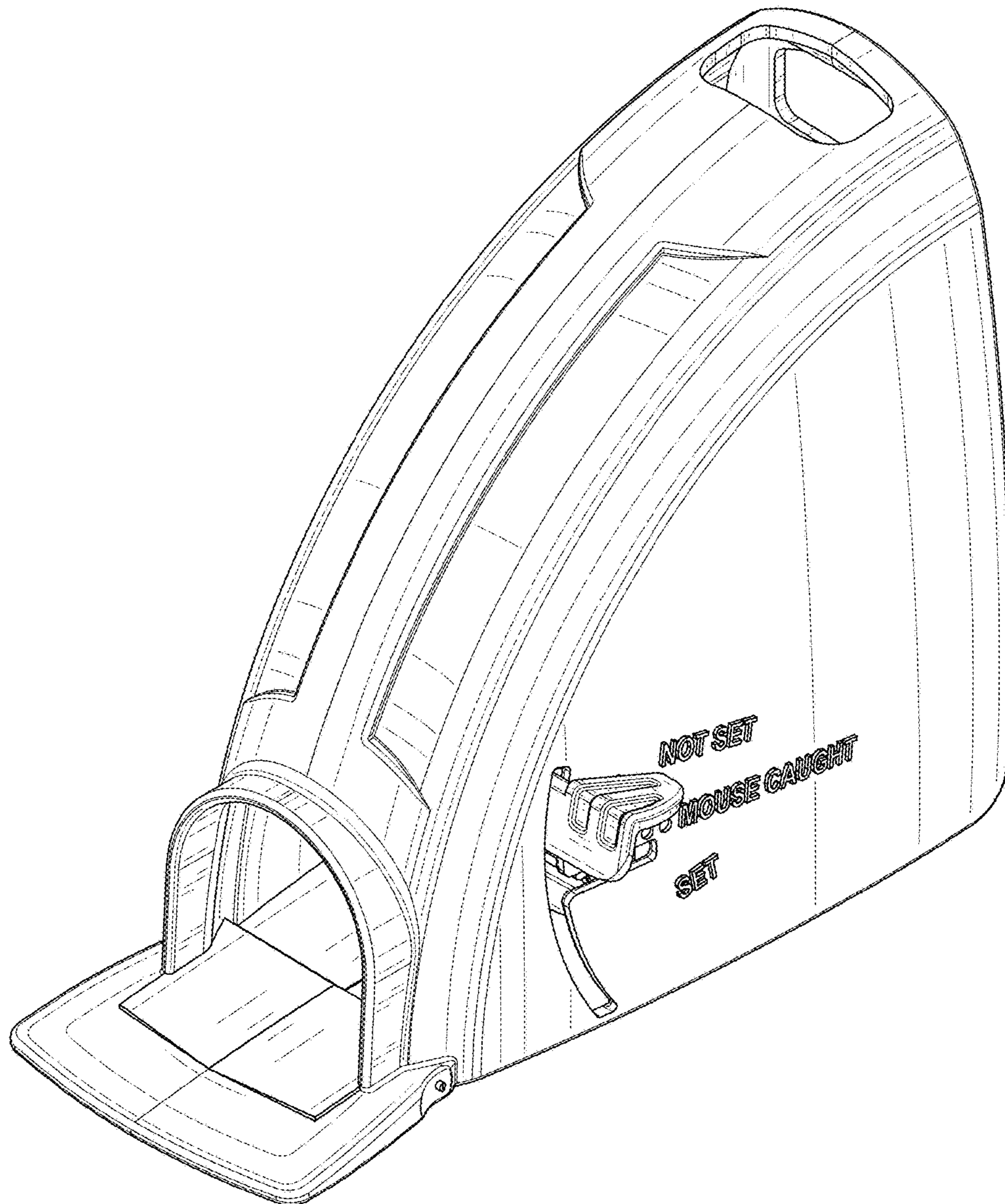


FIG. 1

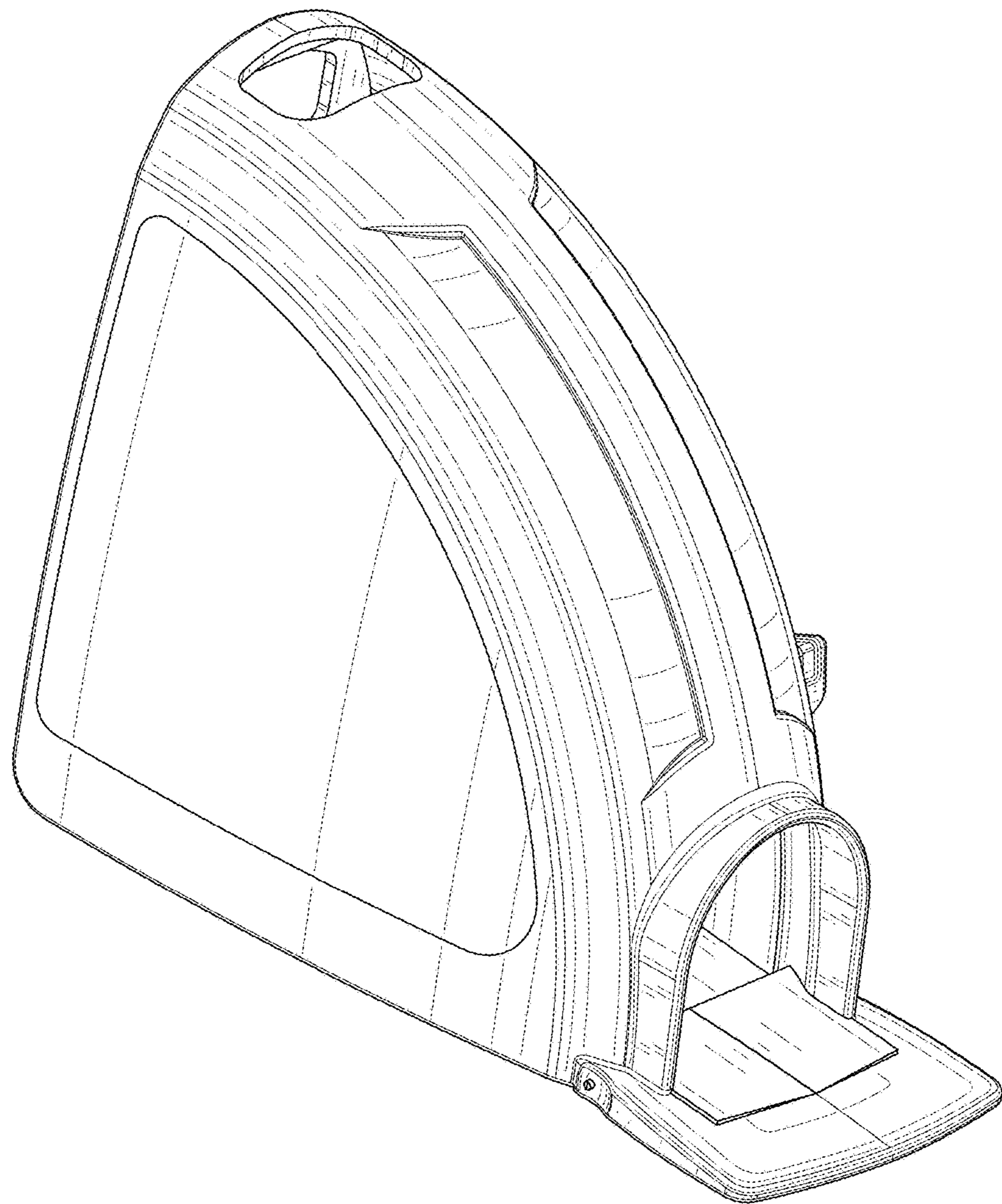


FIG. 2

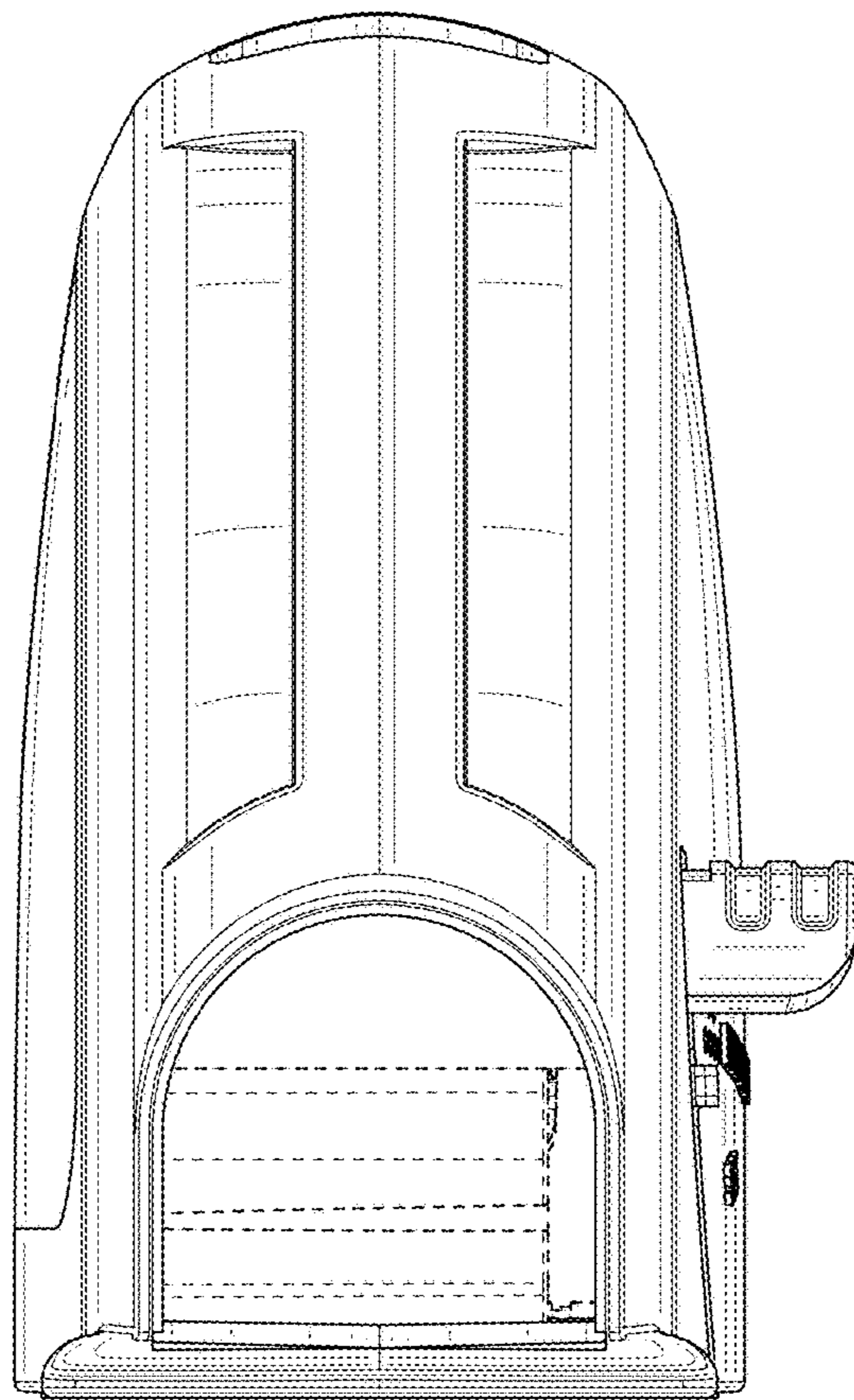


FIG. 3

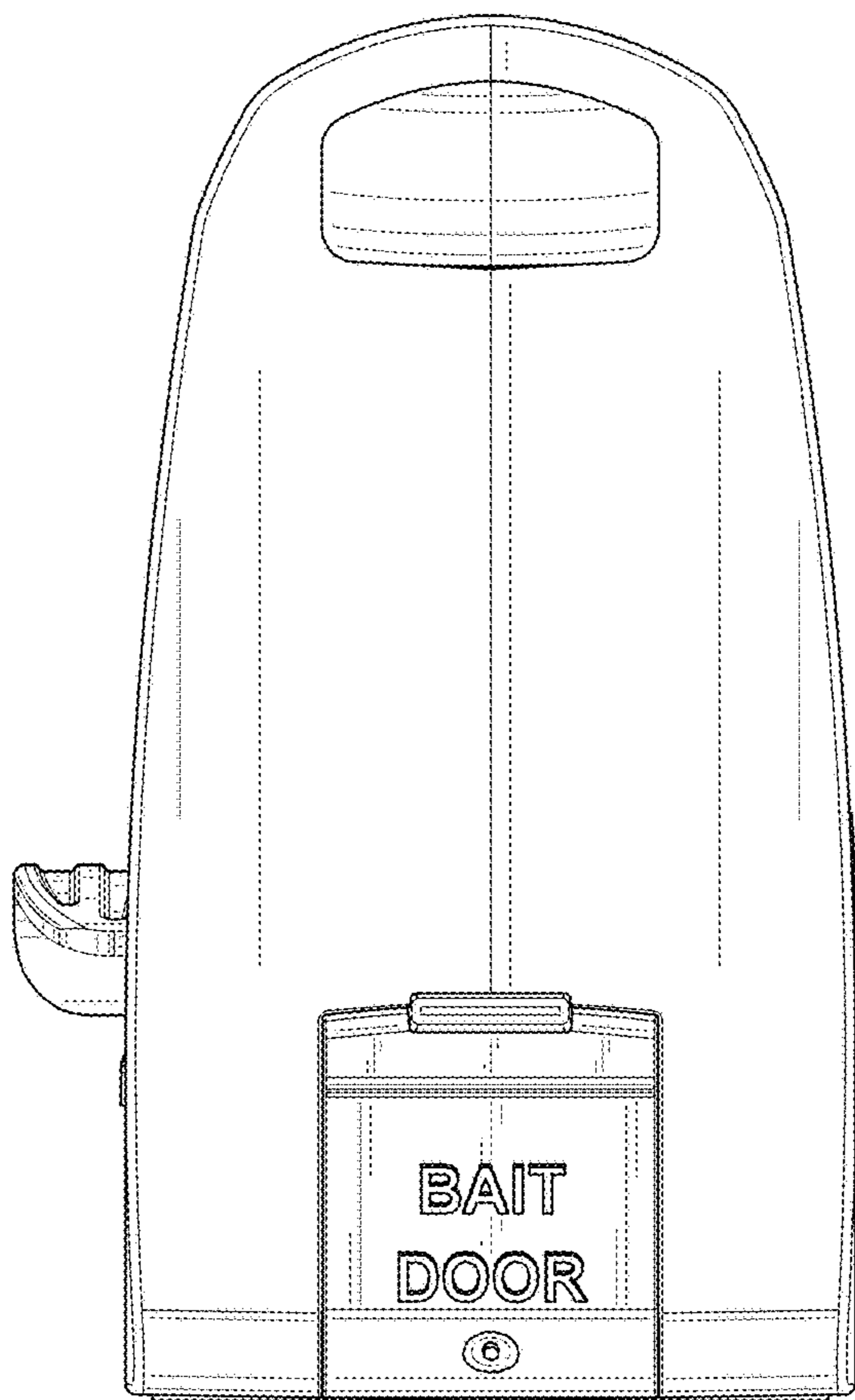


FIG. 4

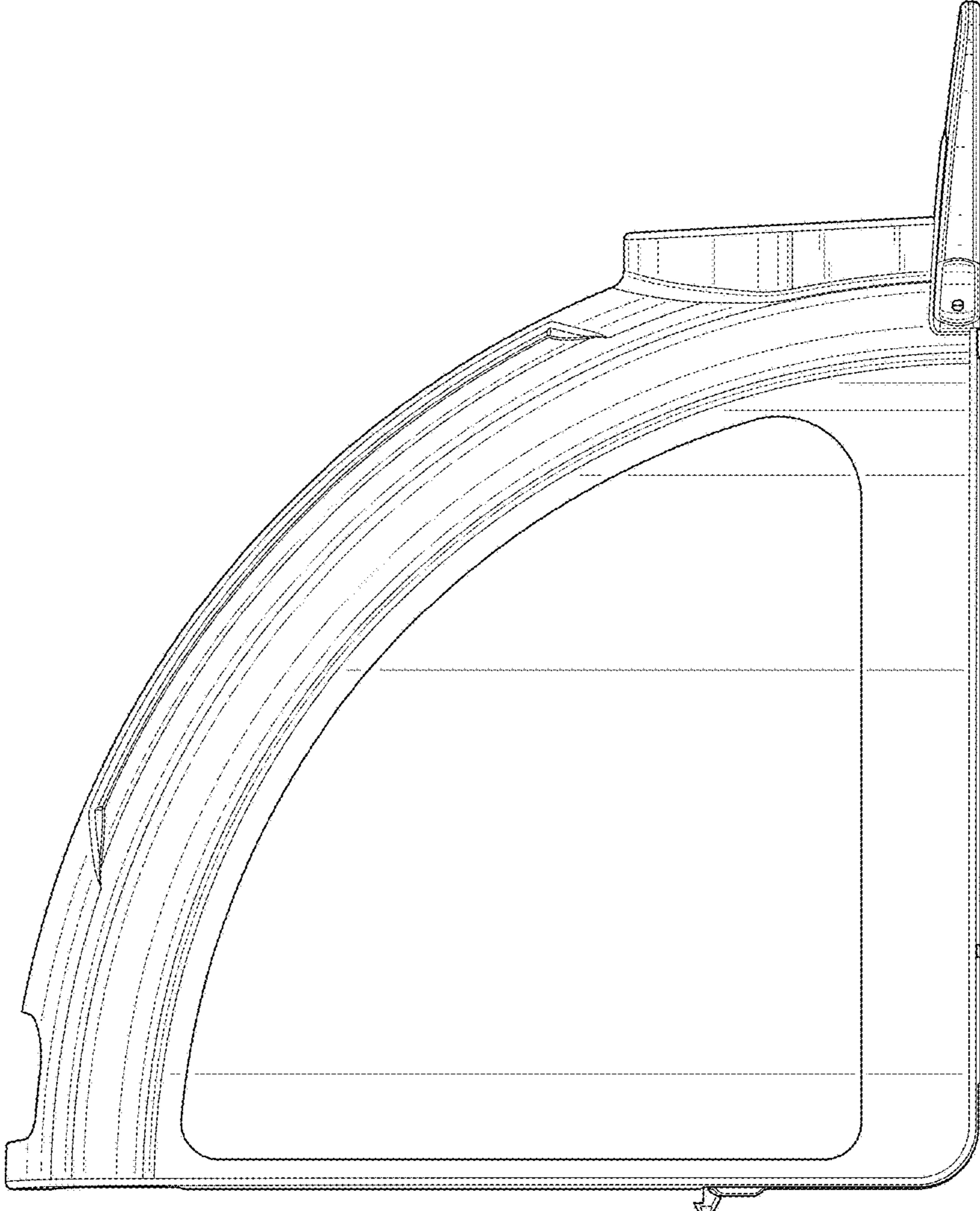


FIG. 5

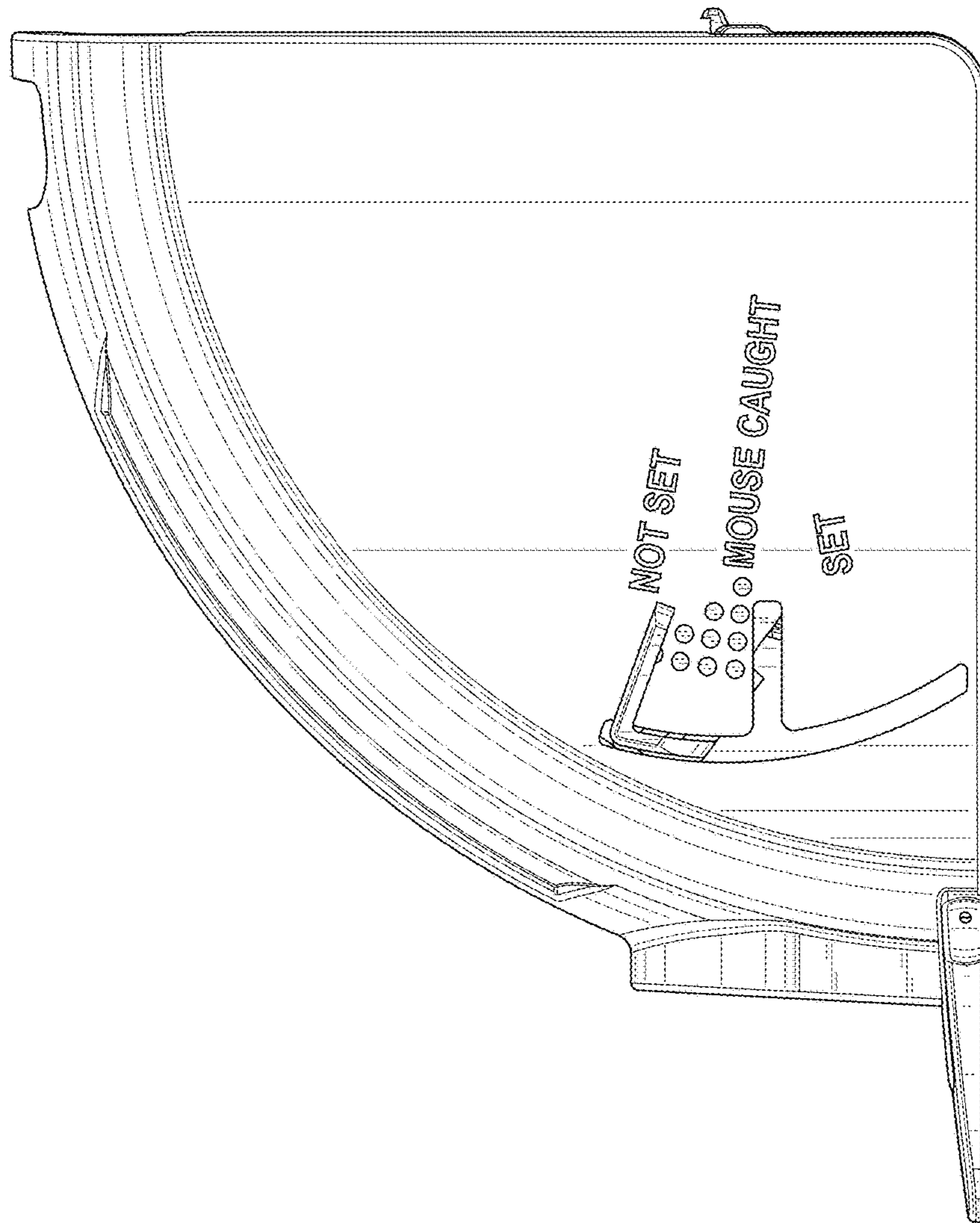


FIG. 6

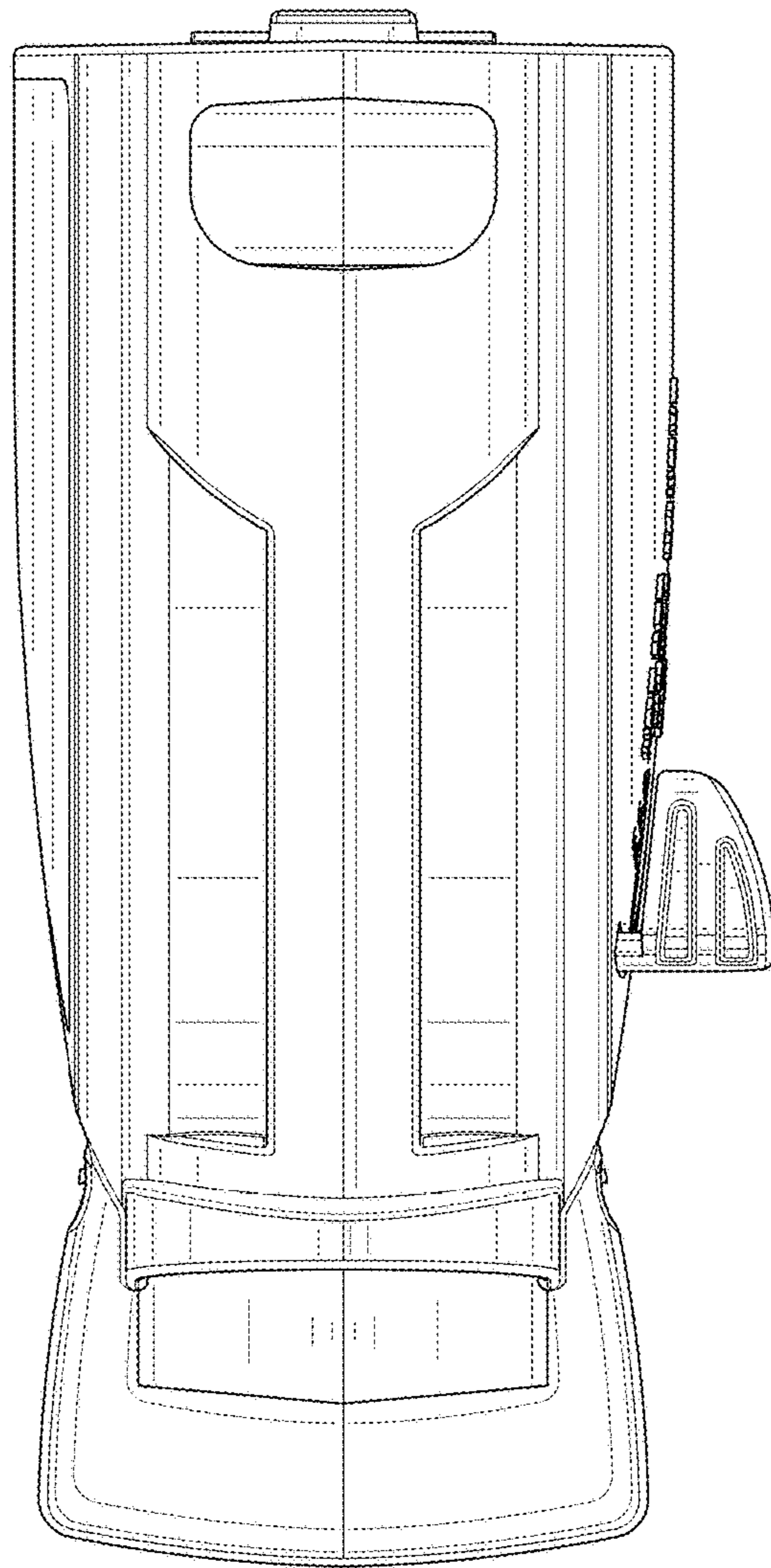


FIG. 7

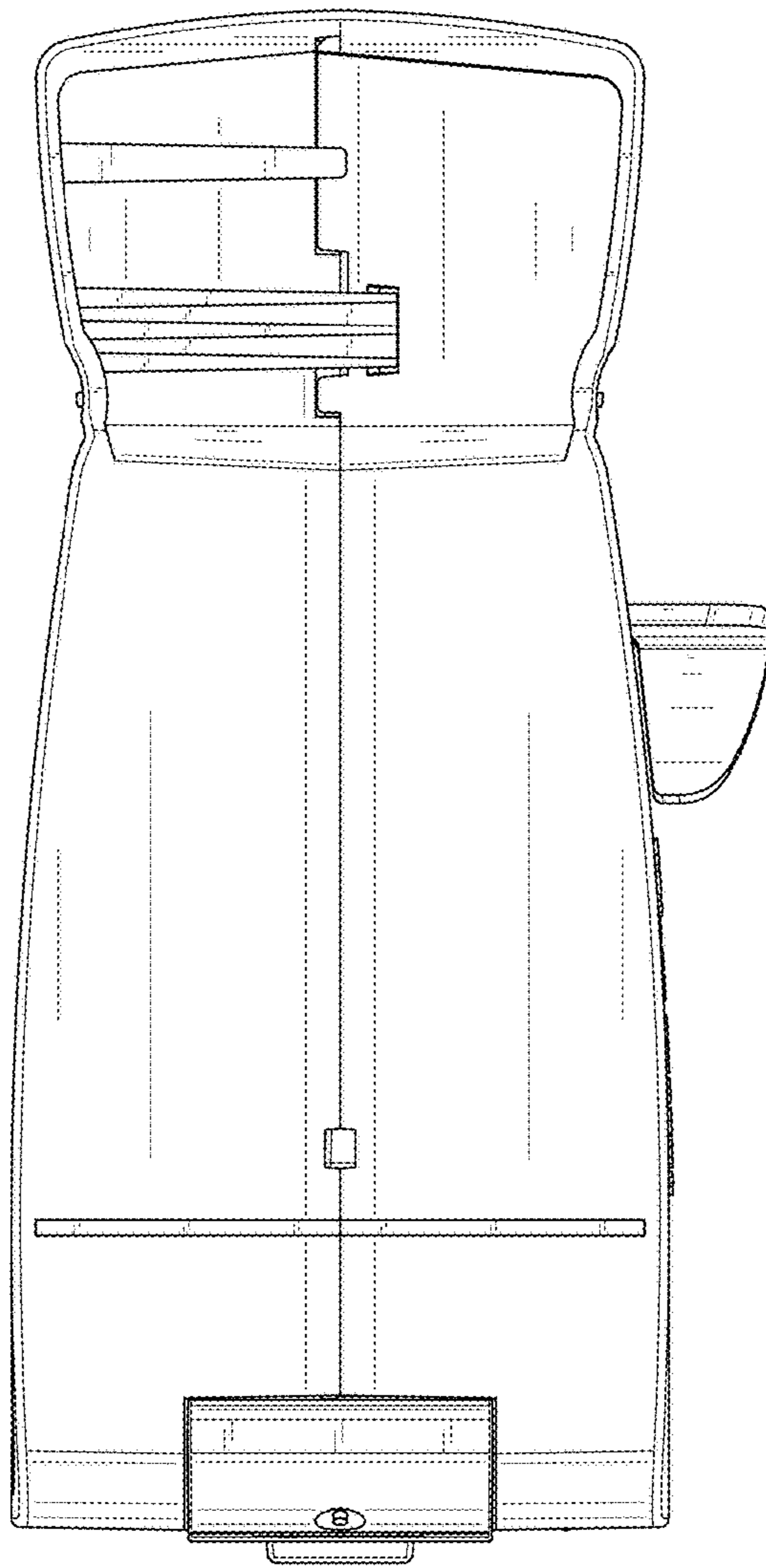


FIG. 8

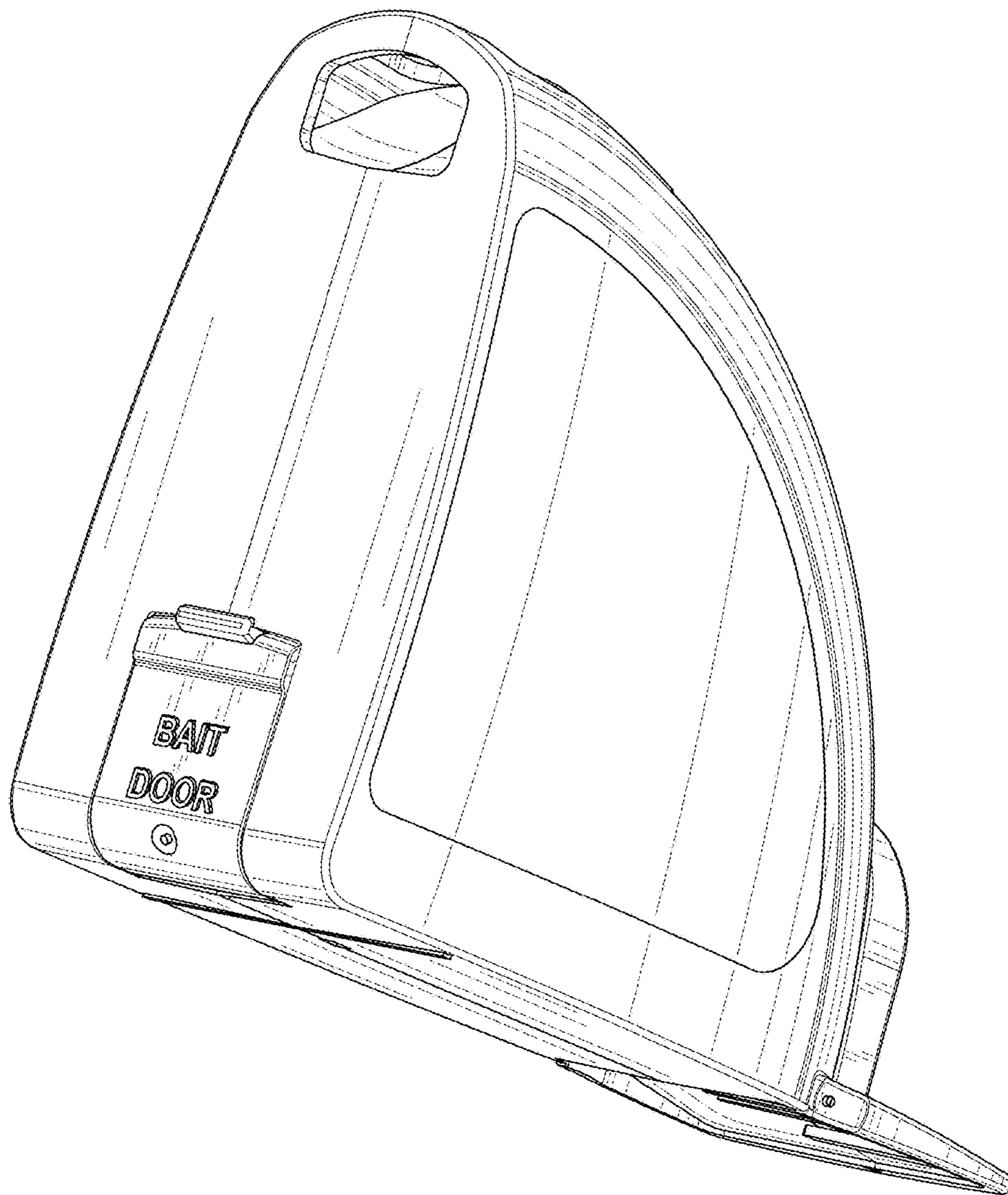


FIG. 9

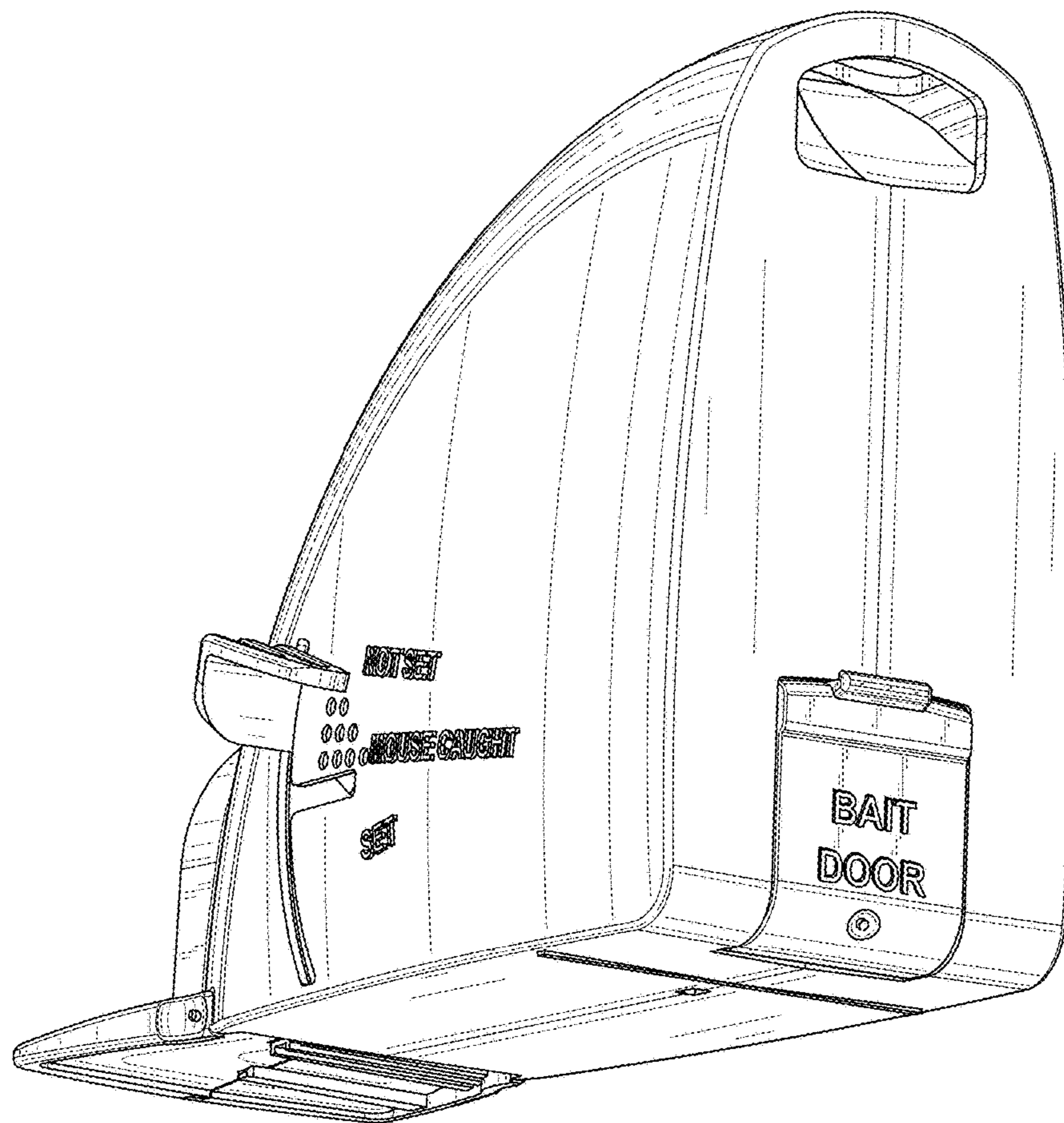


FIG. 10

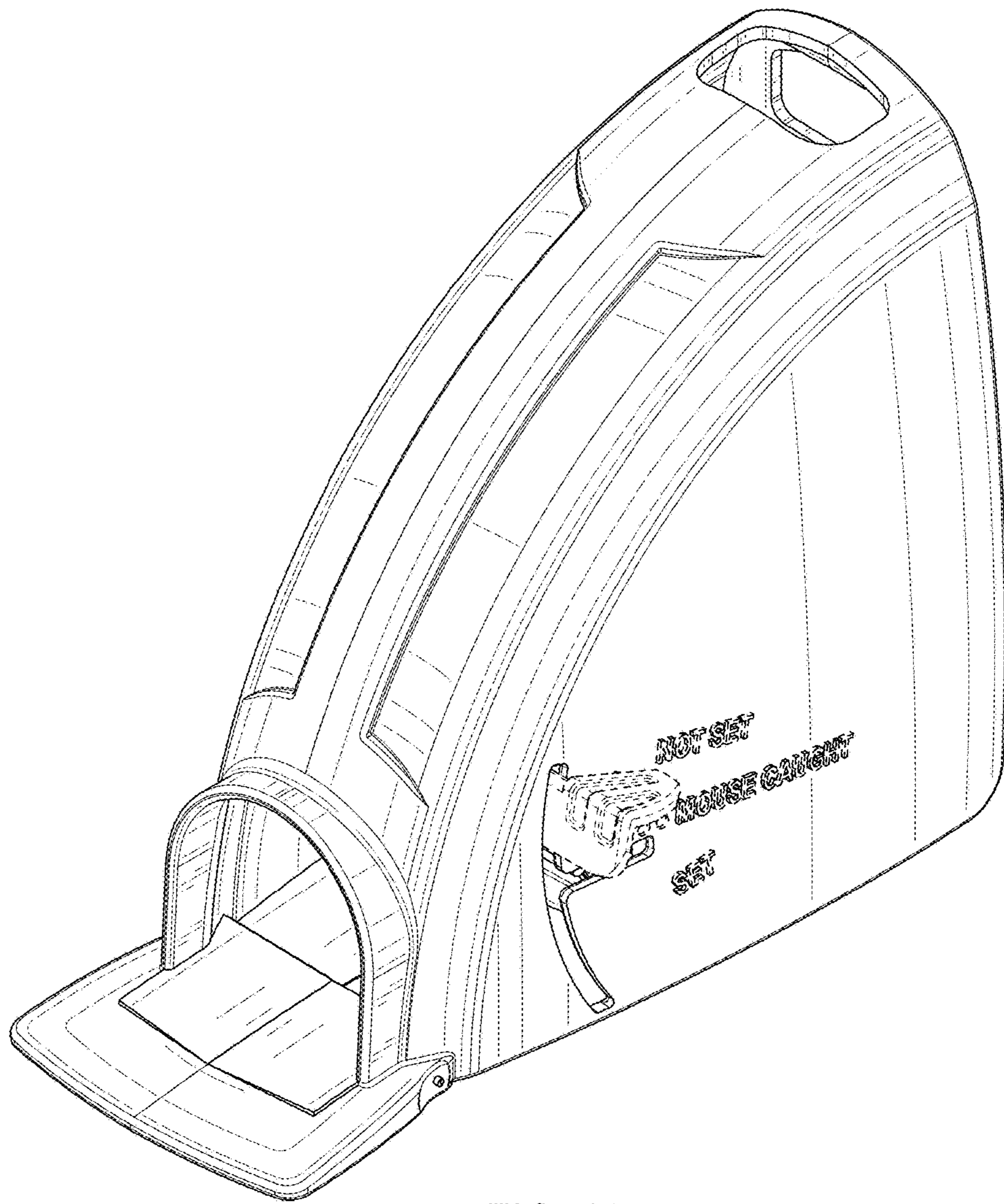


FIG. 11

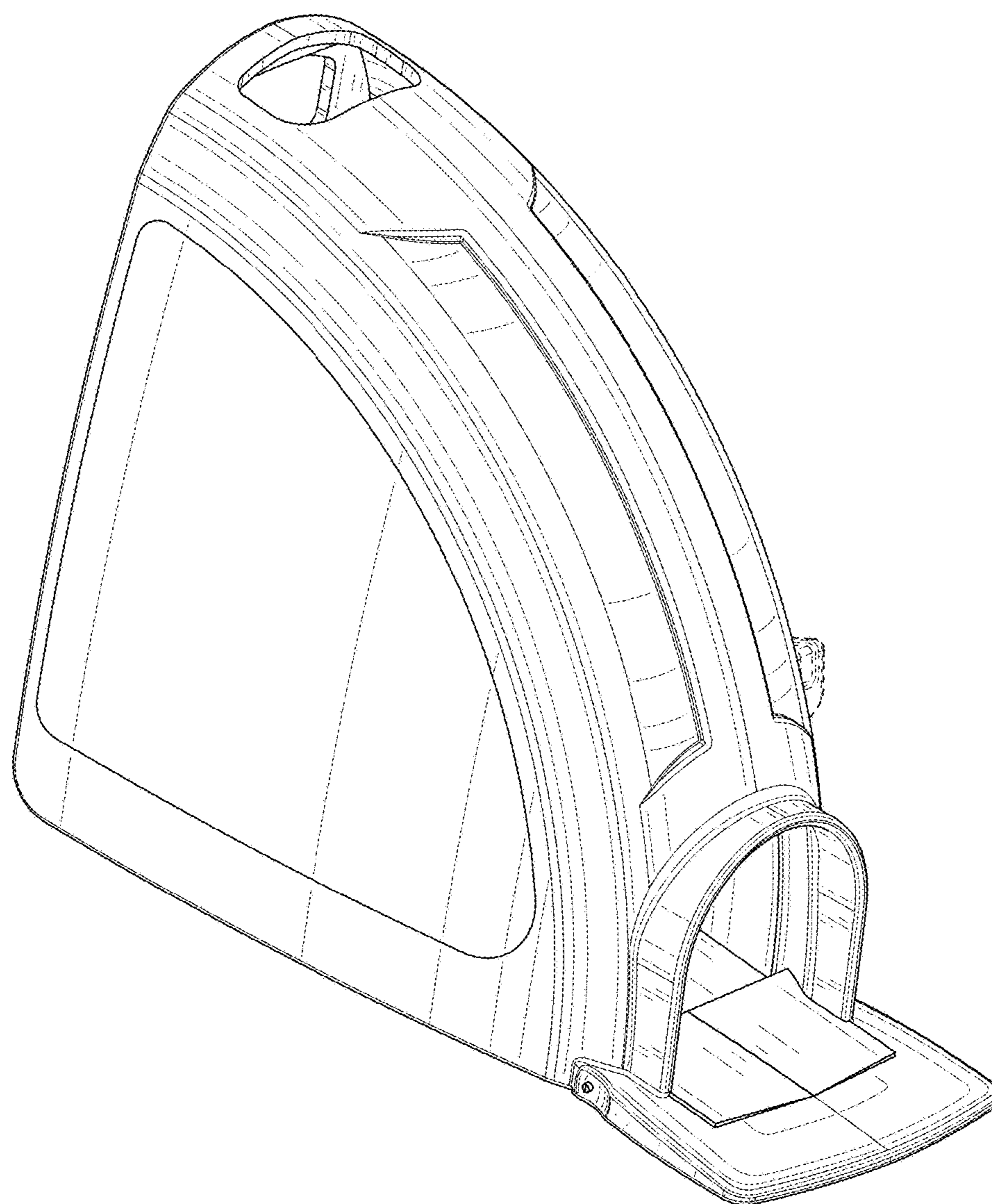


FIG. 12

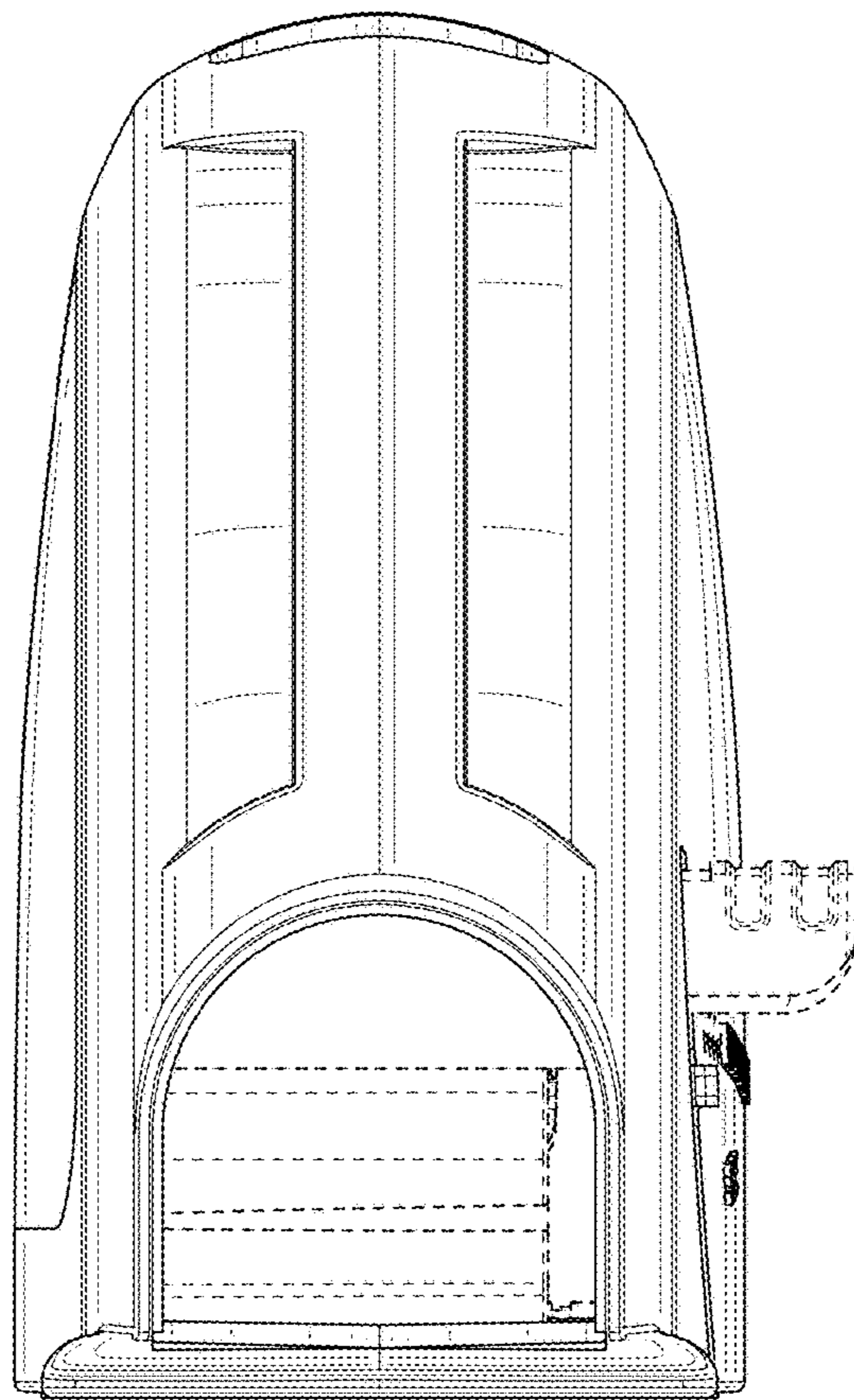


FIG. 13

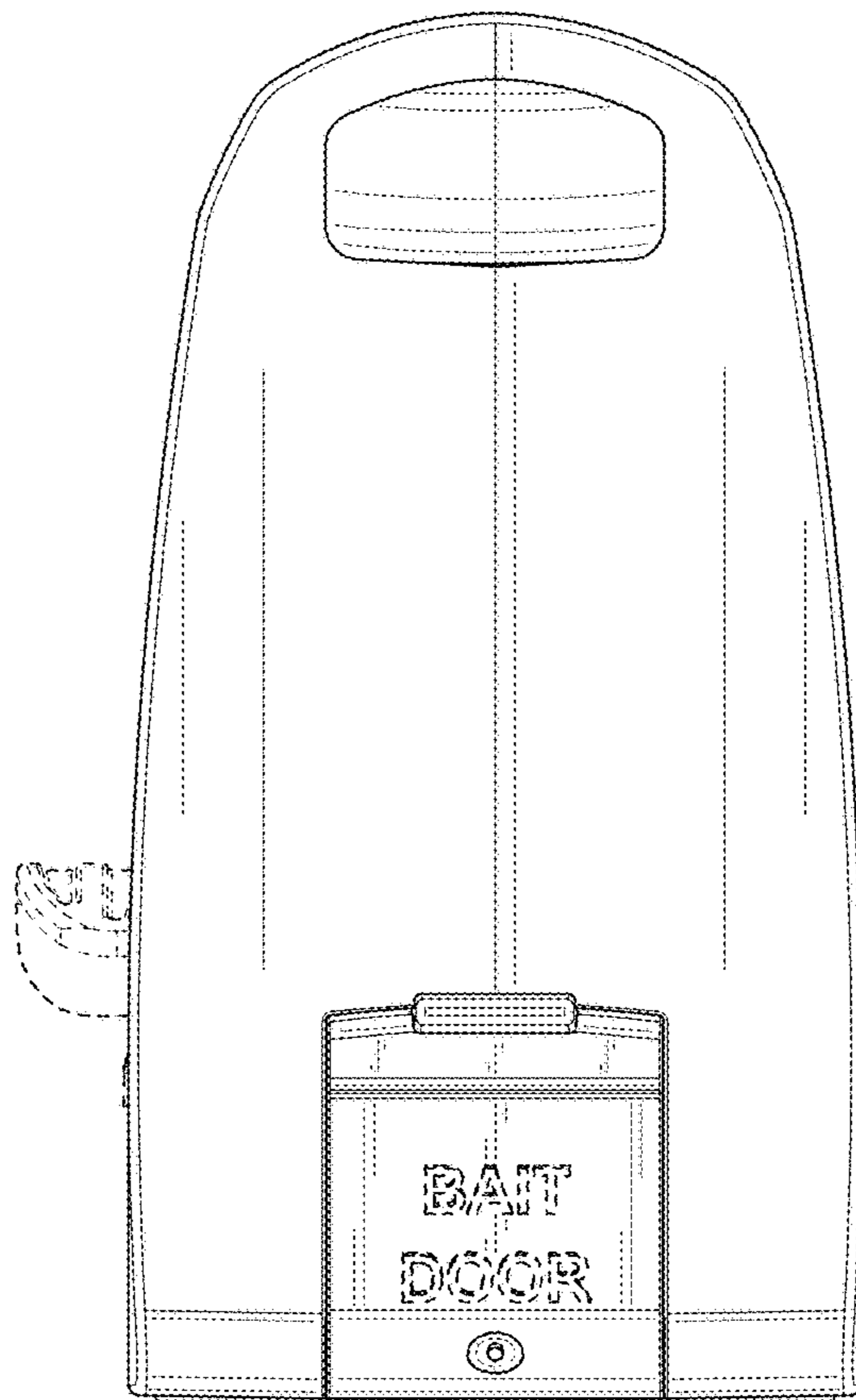


FIG. 14

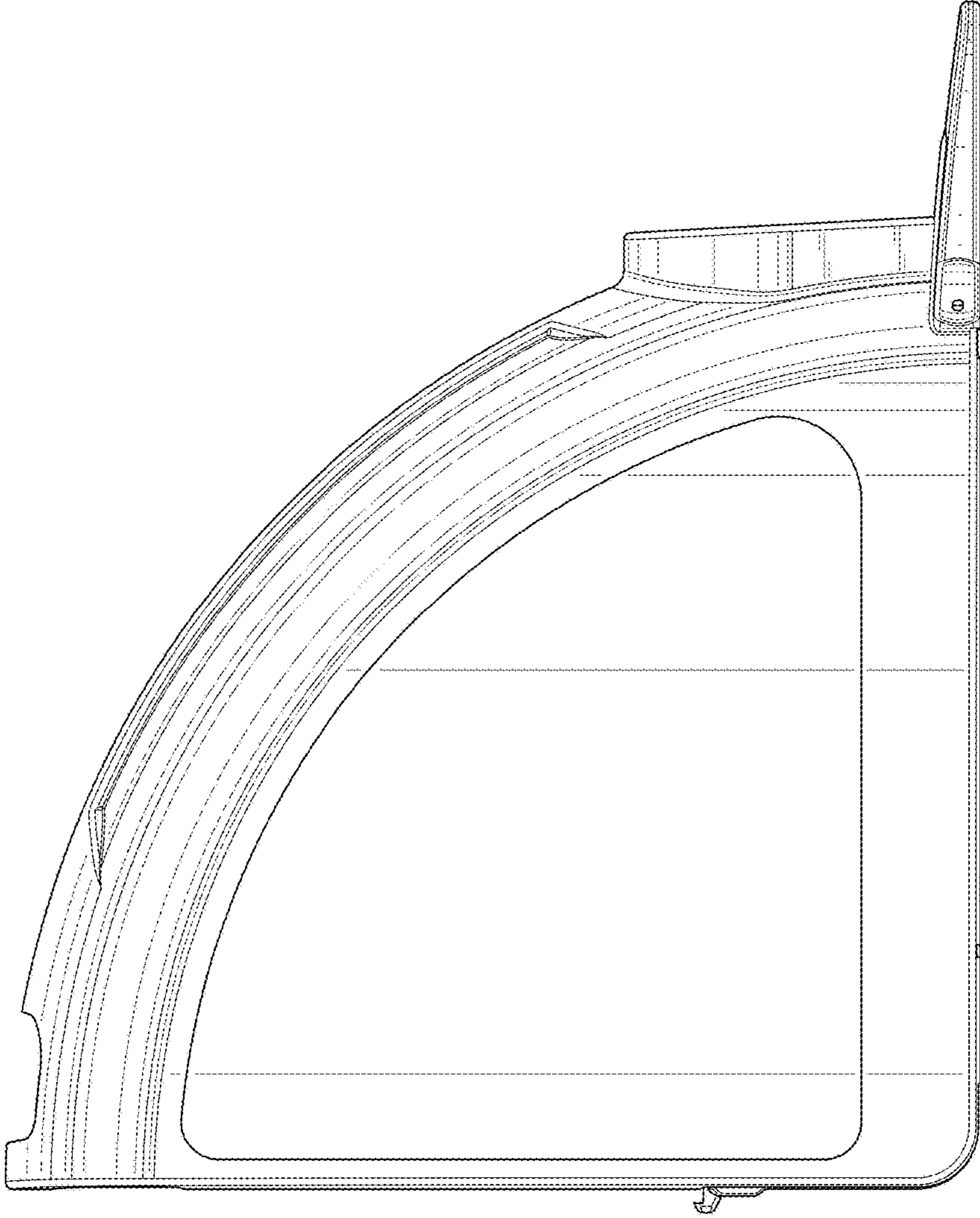


FIG. 15

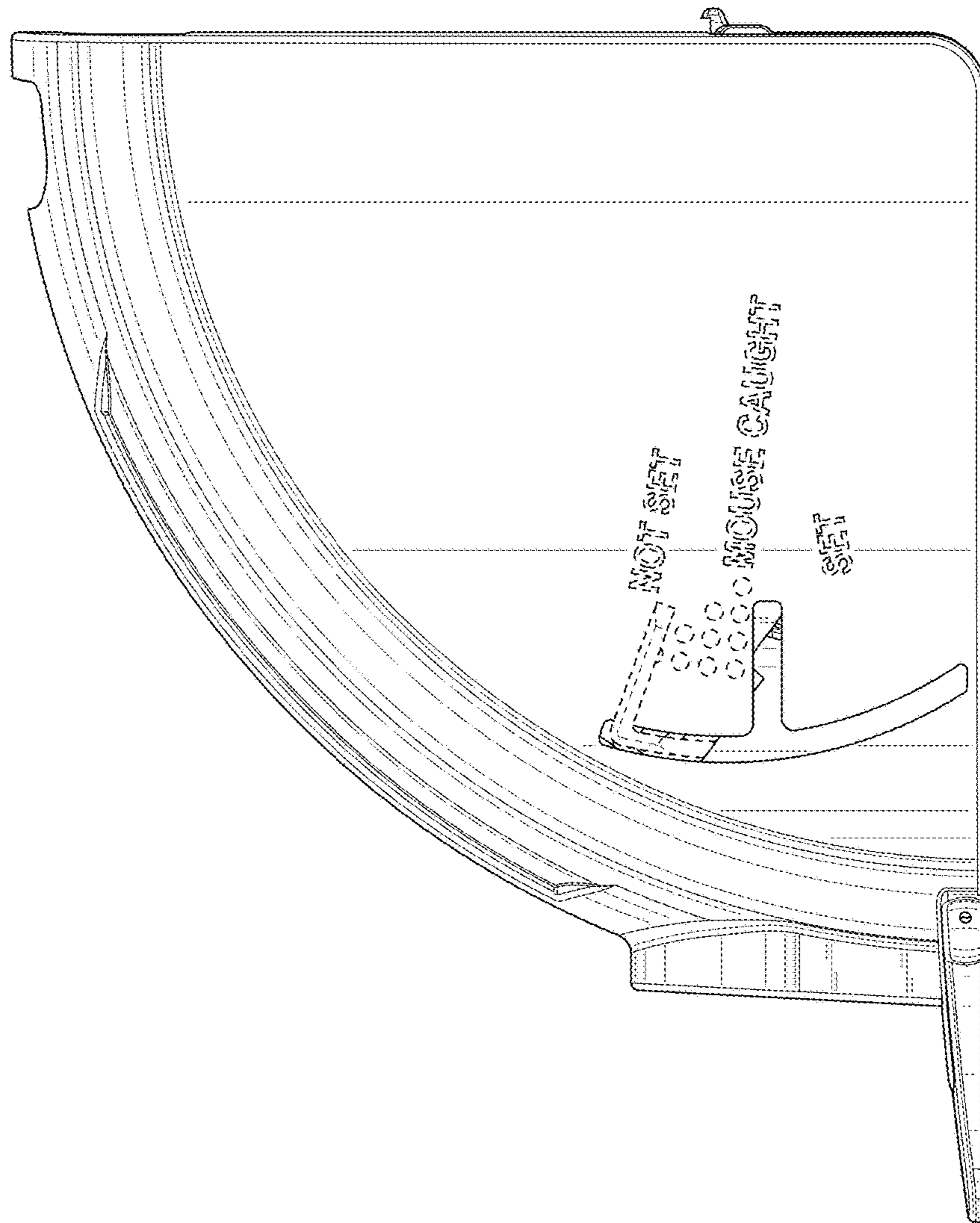


FIG. 16

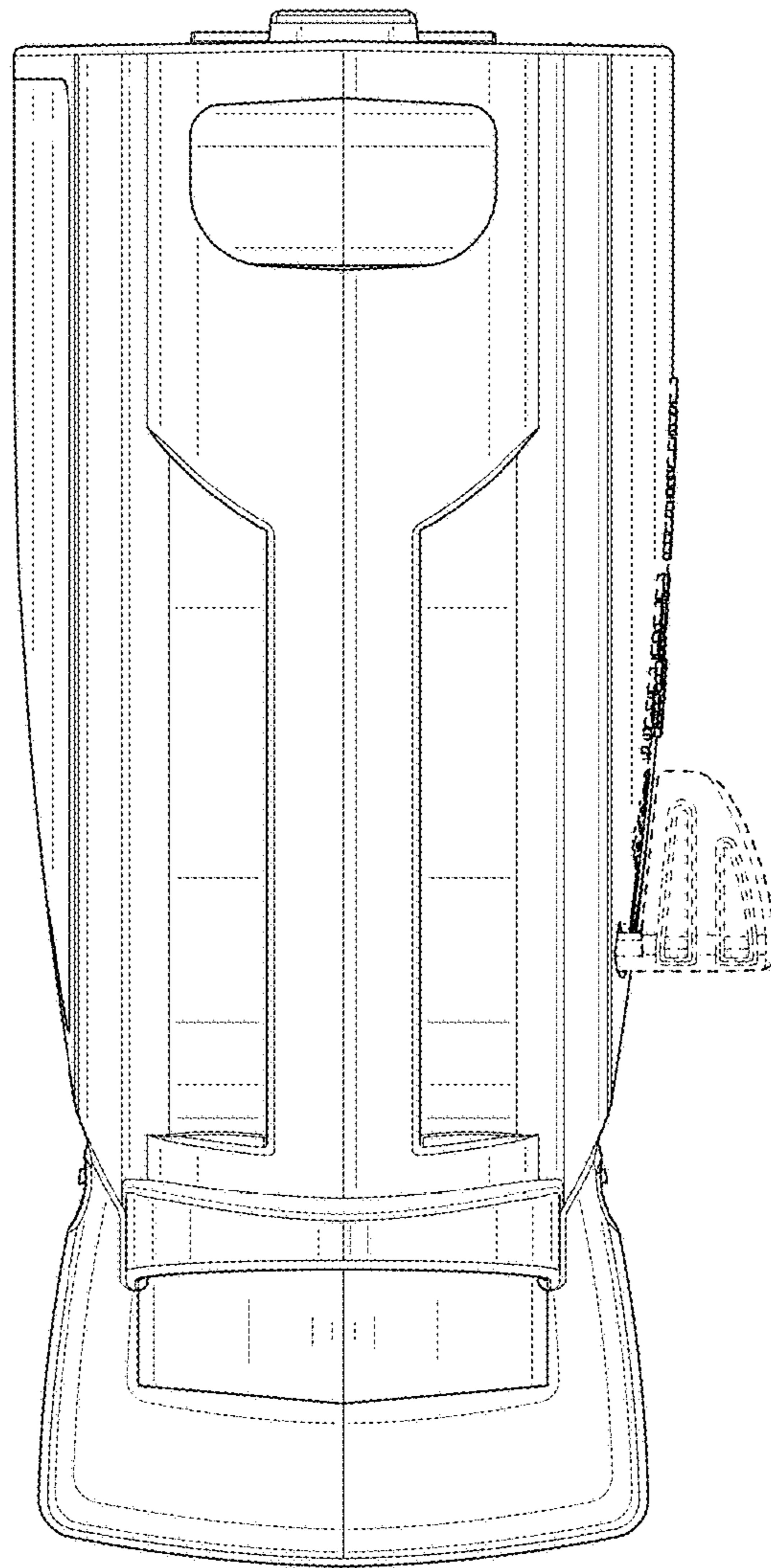


FIG. 17

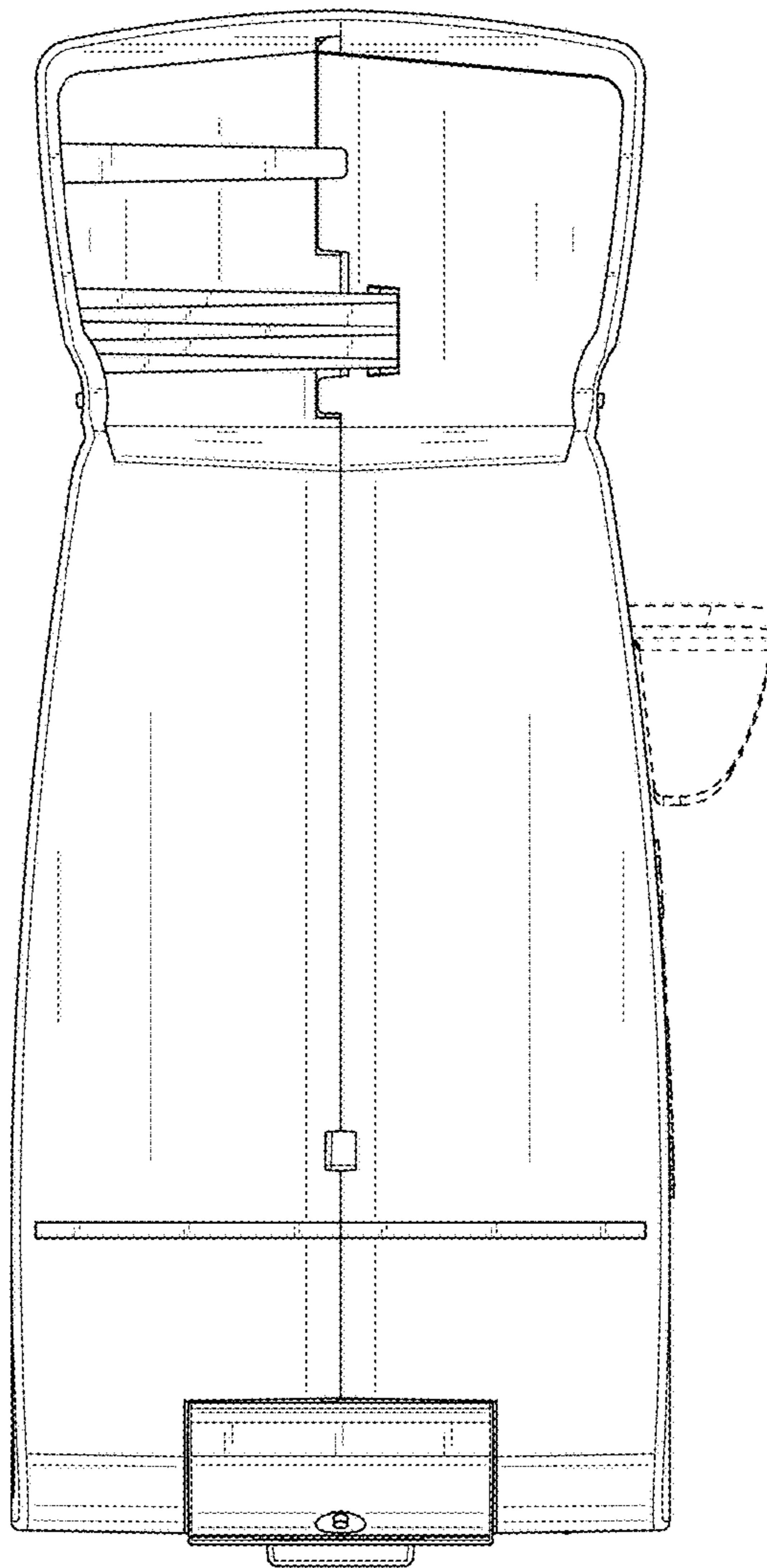


FIG. 18

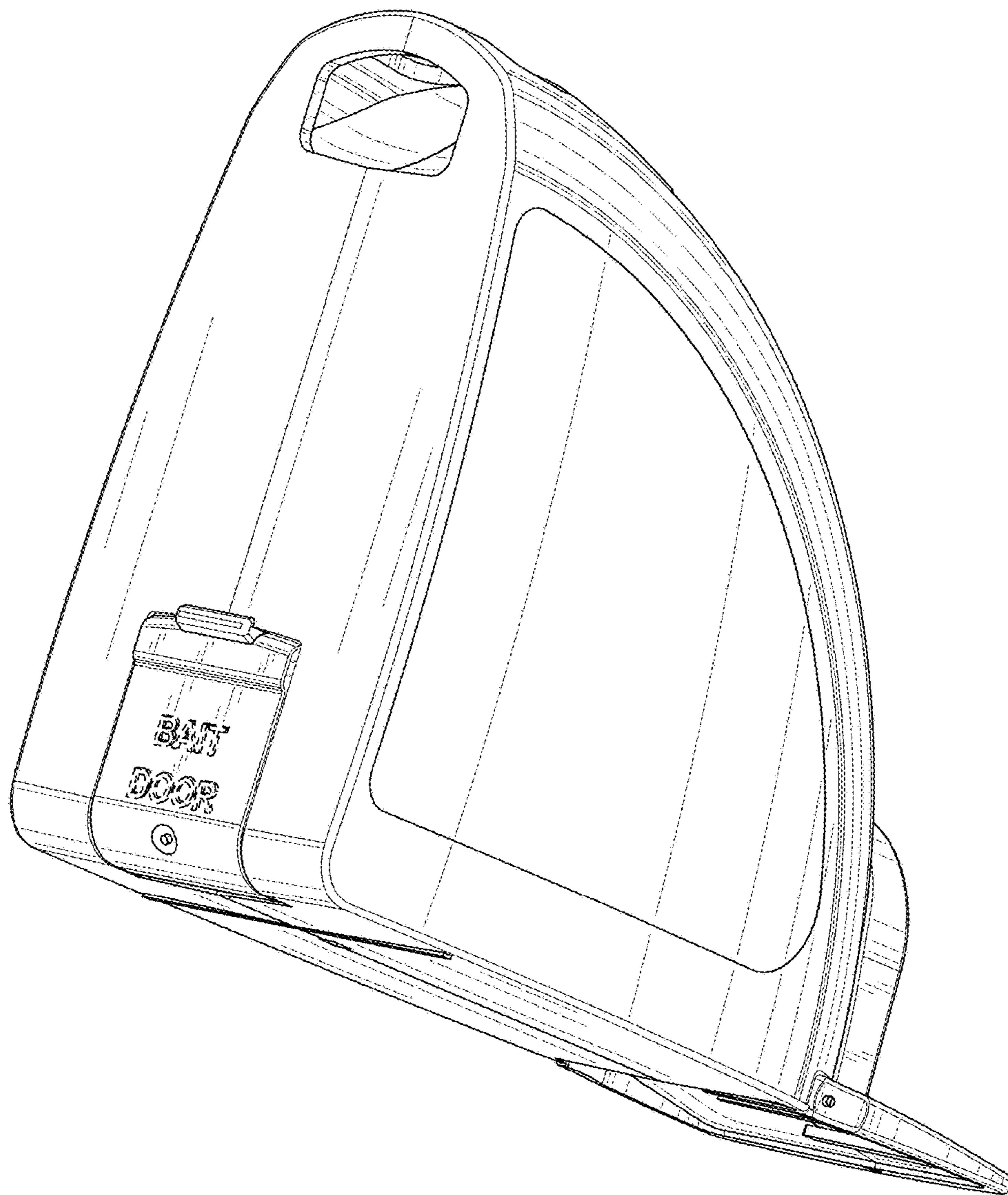


FIG. 19

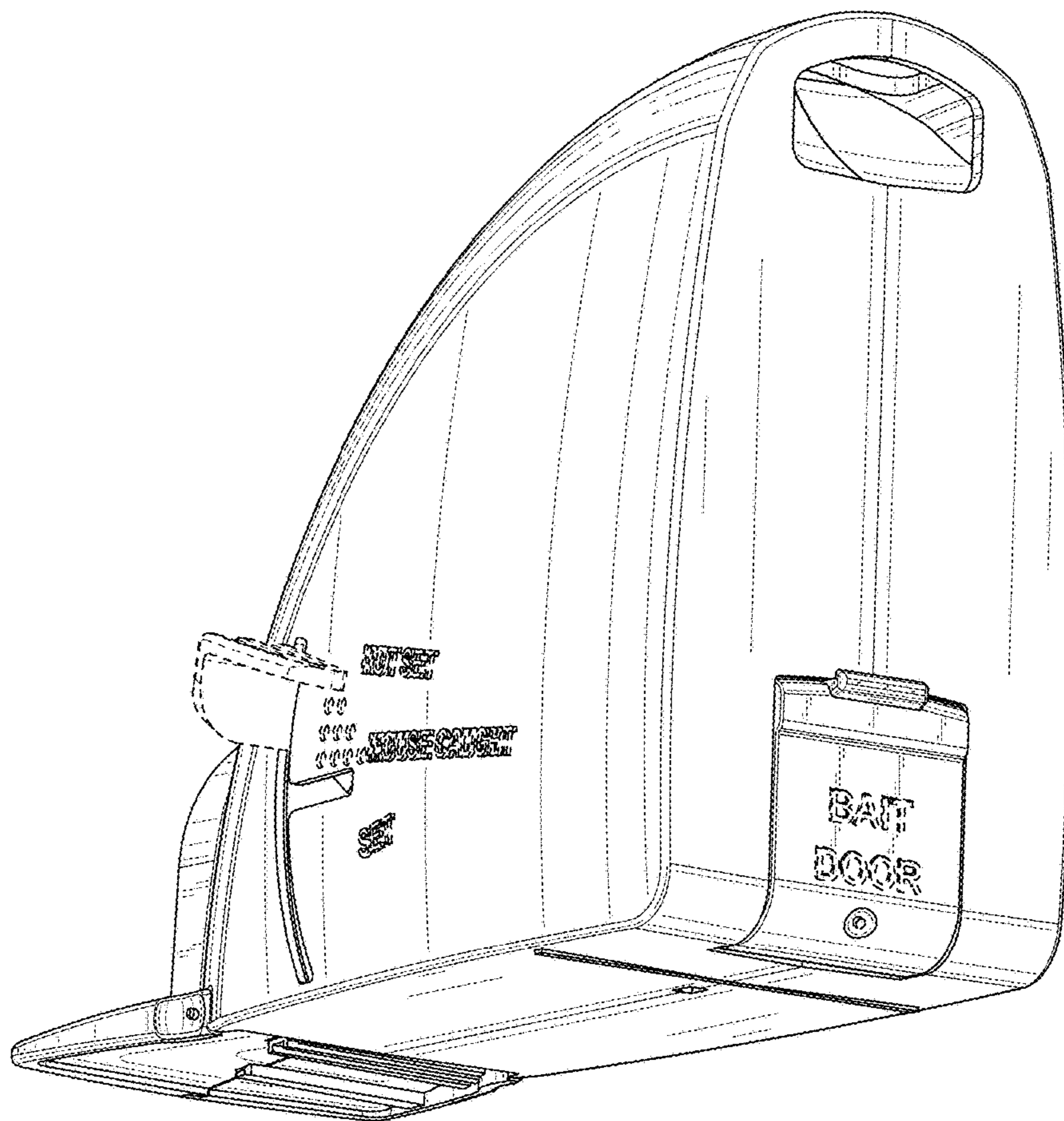


FIG. 20

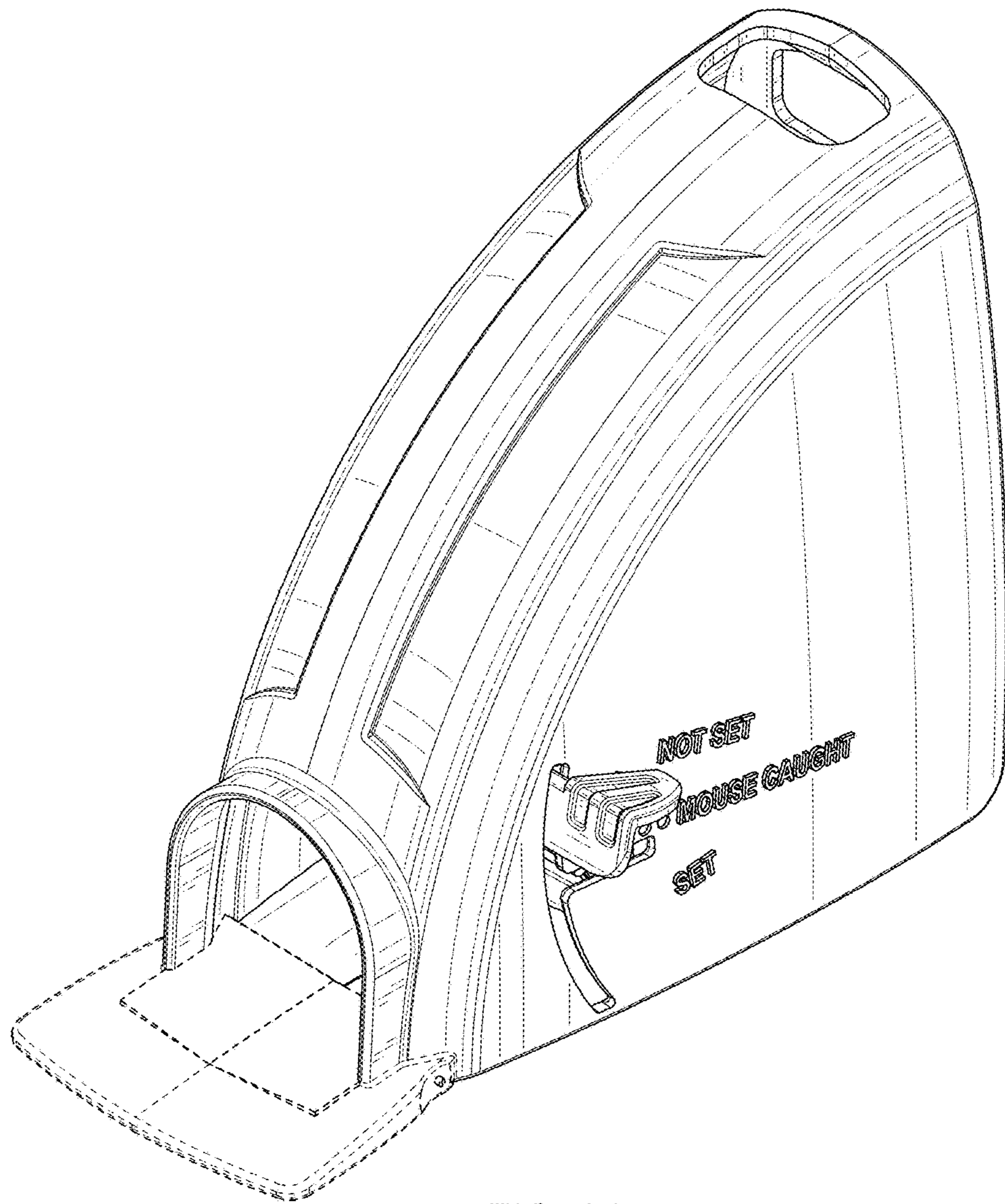


FIG. 21

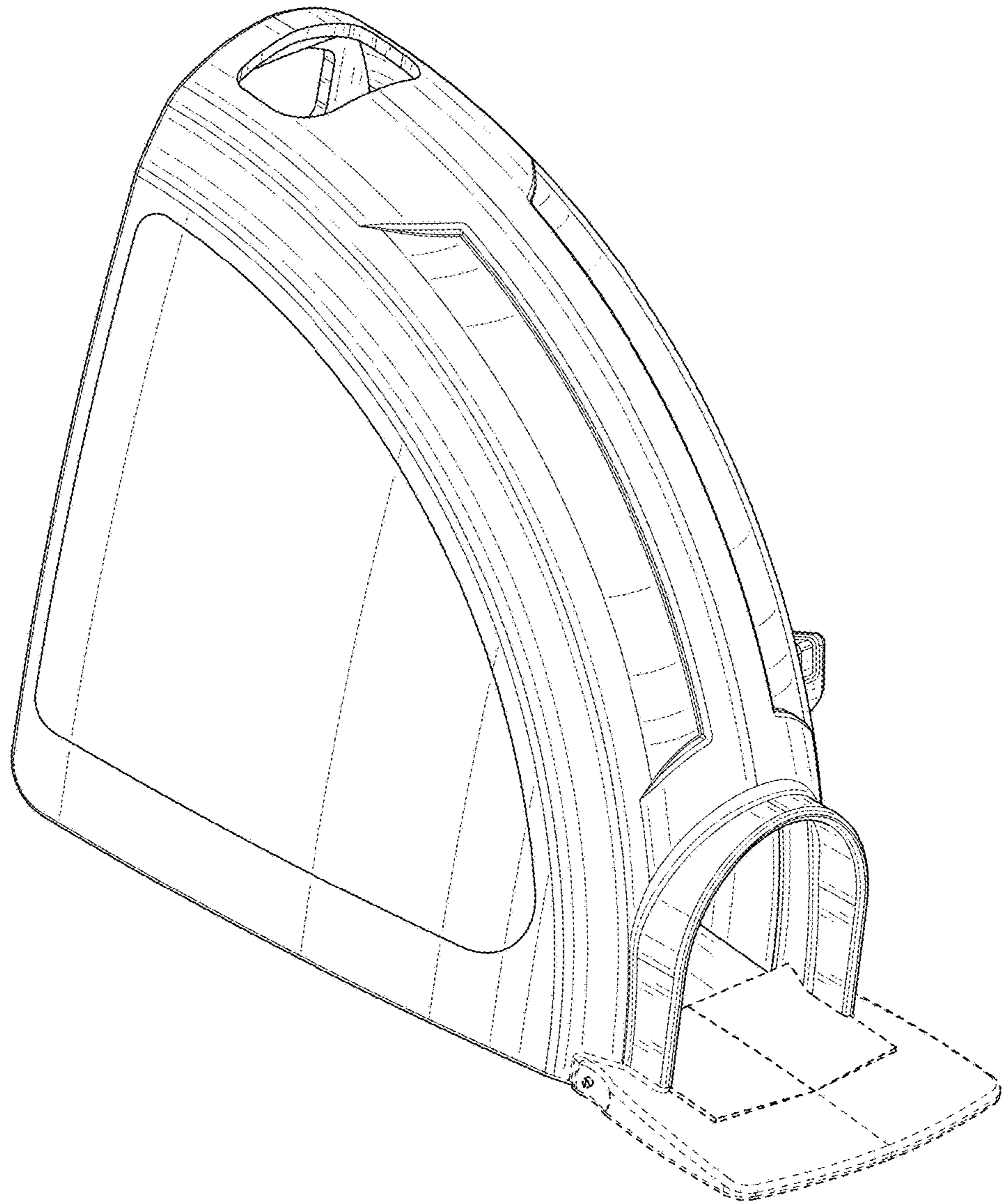


FIG. 22

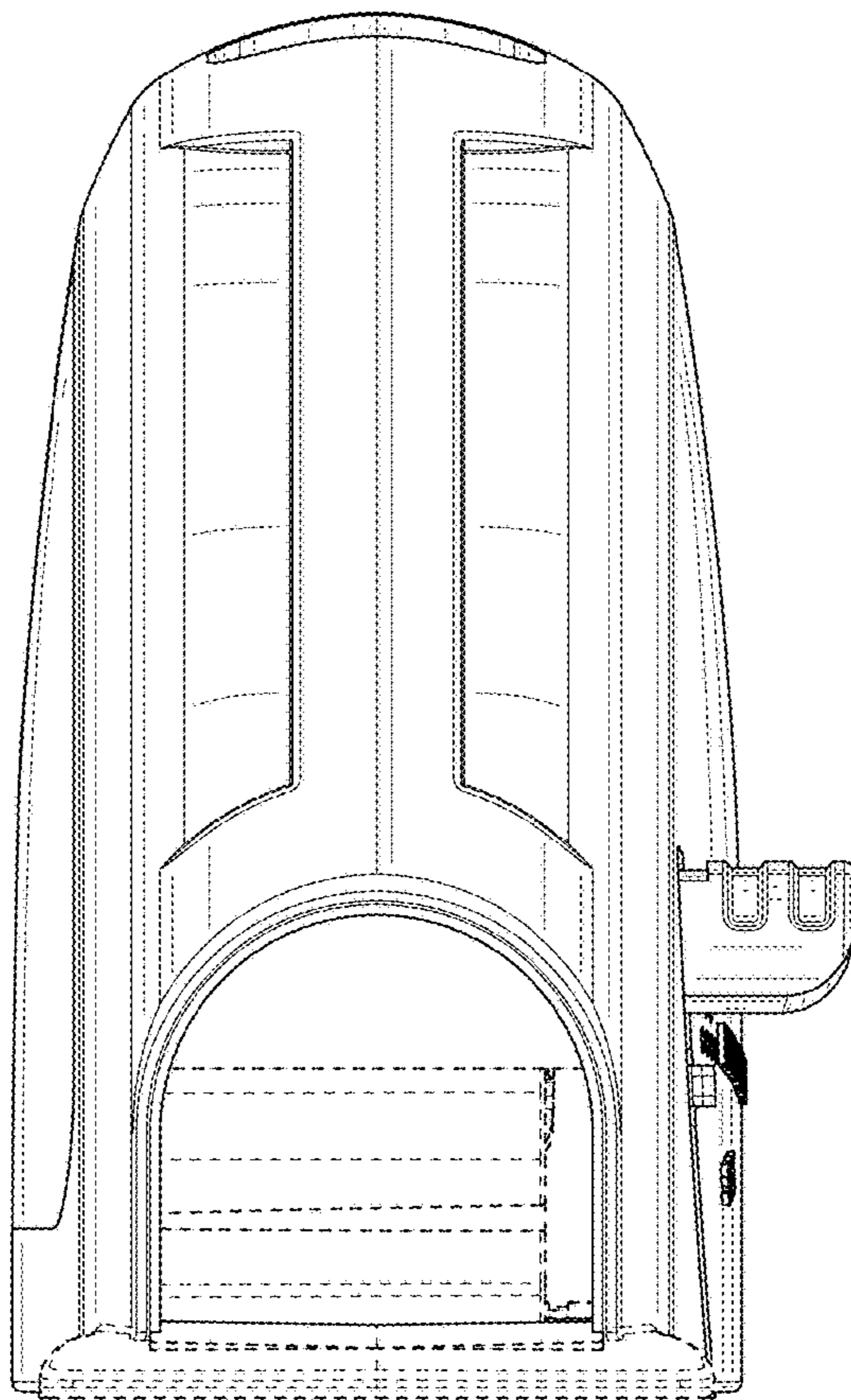


FIG. 23

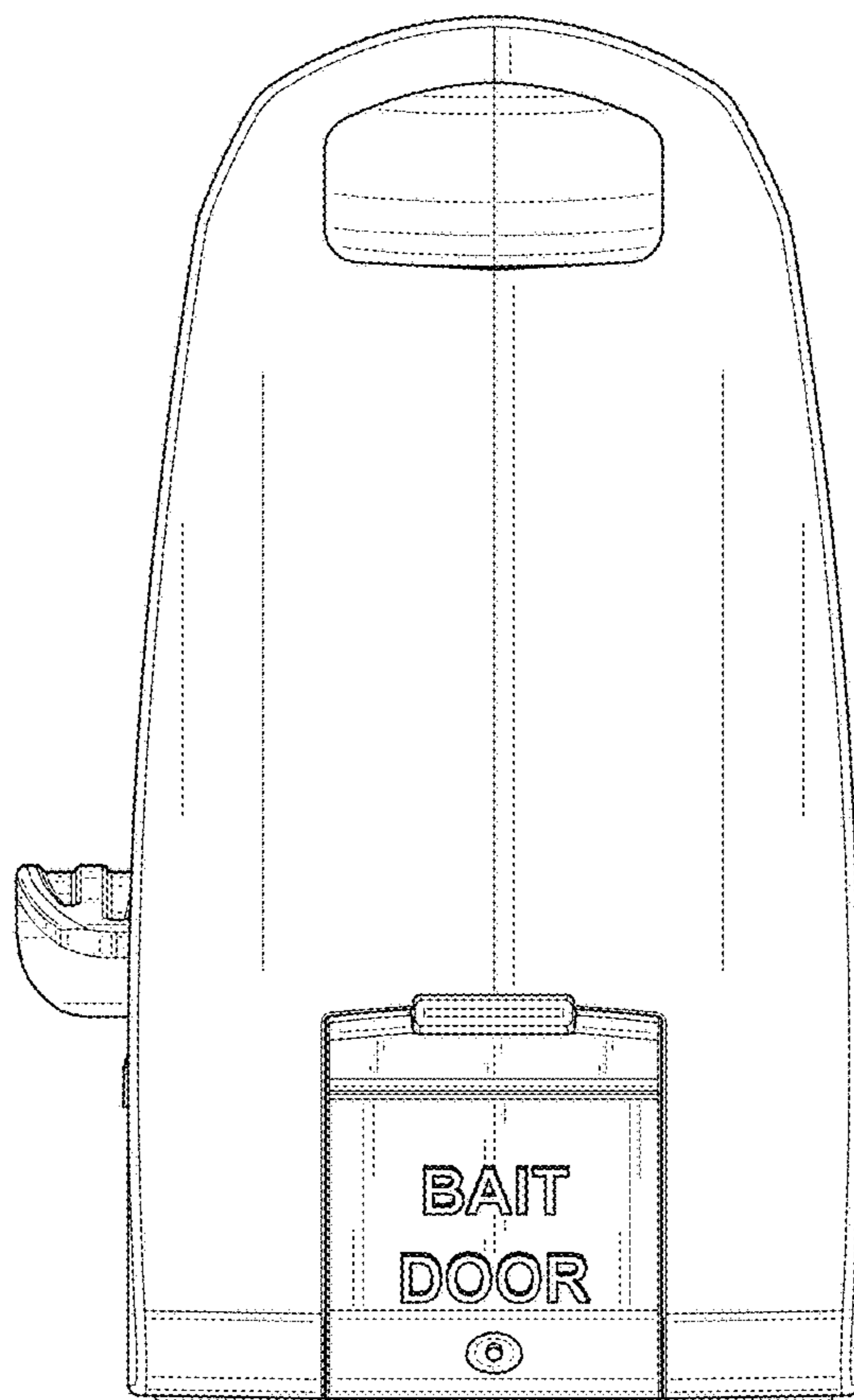


FIG. 24

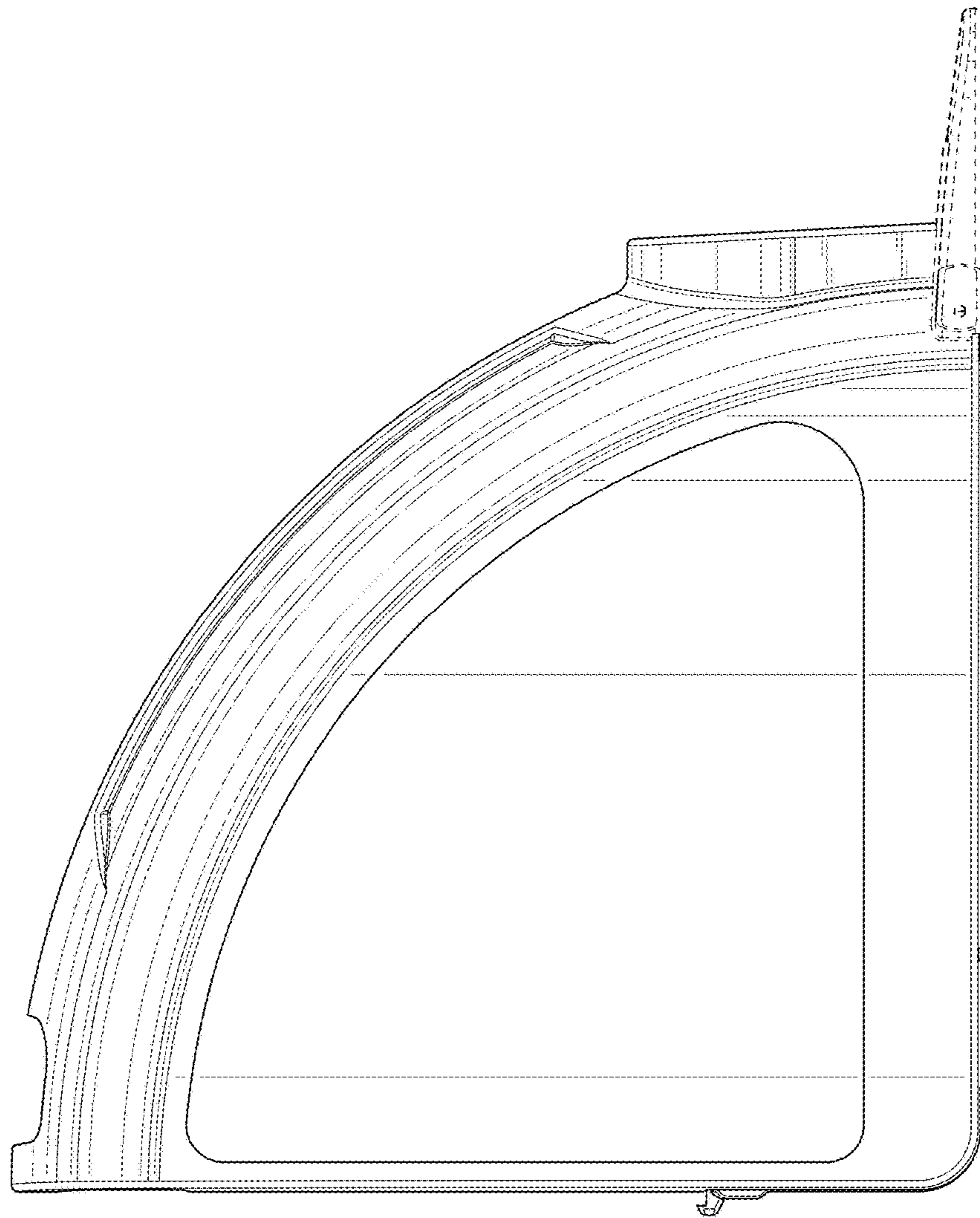


FIG. 25

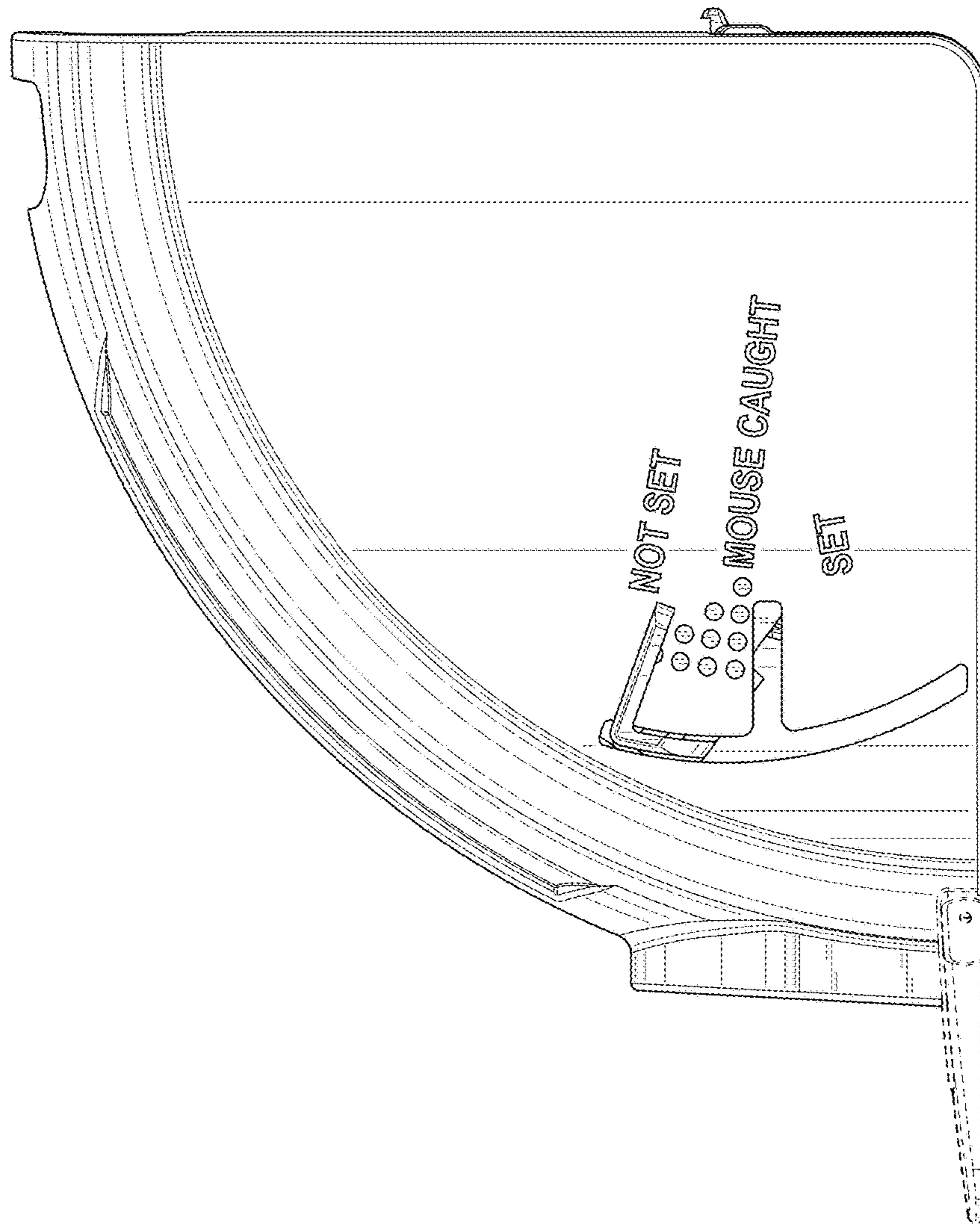


FIG. 26

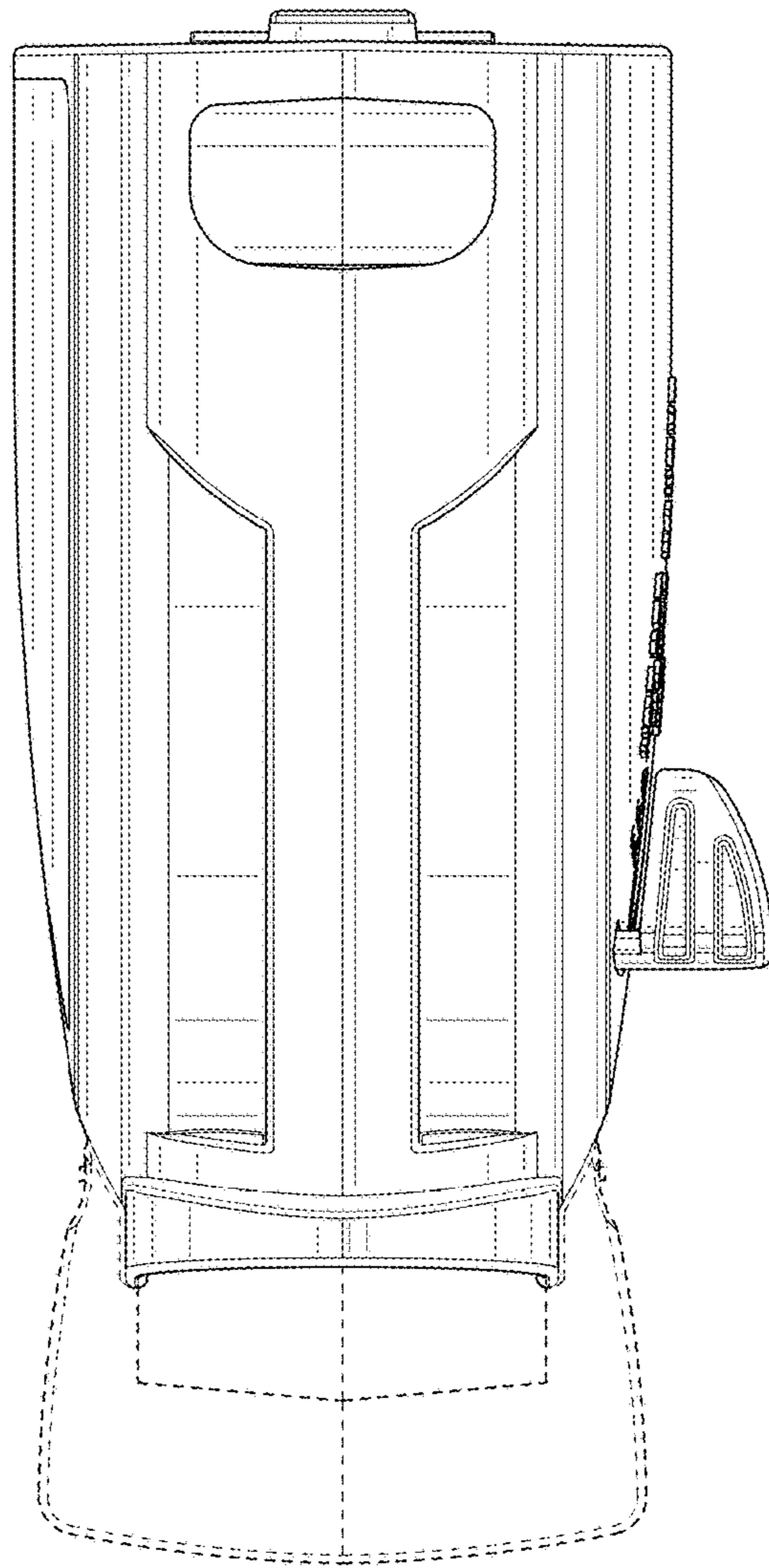


FIG. 27

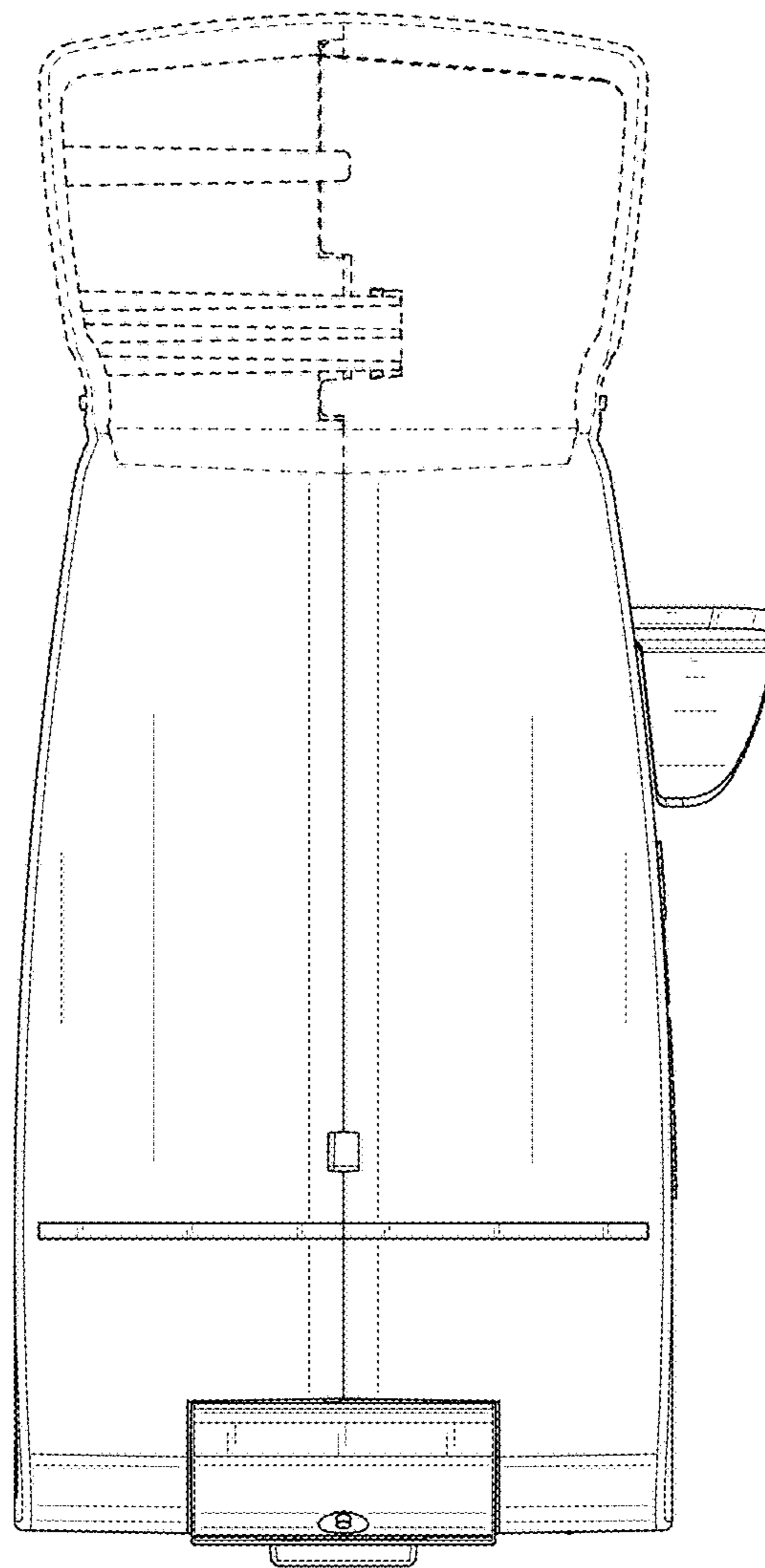


FIG. 28

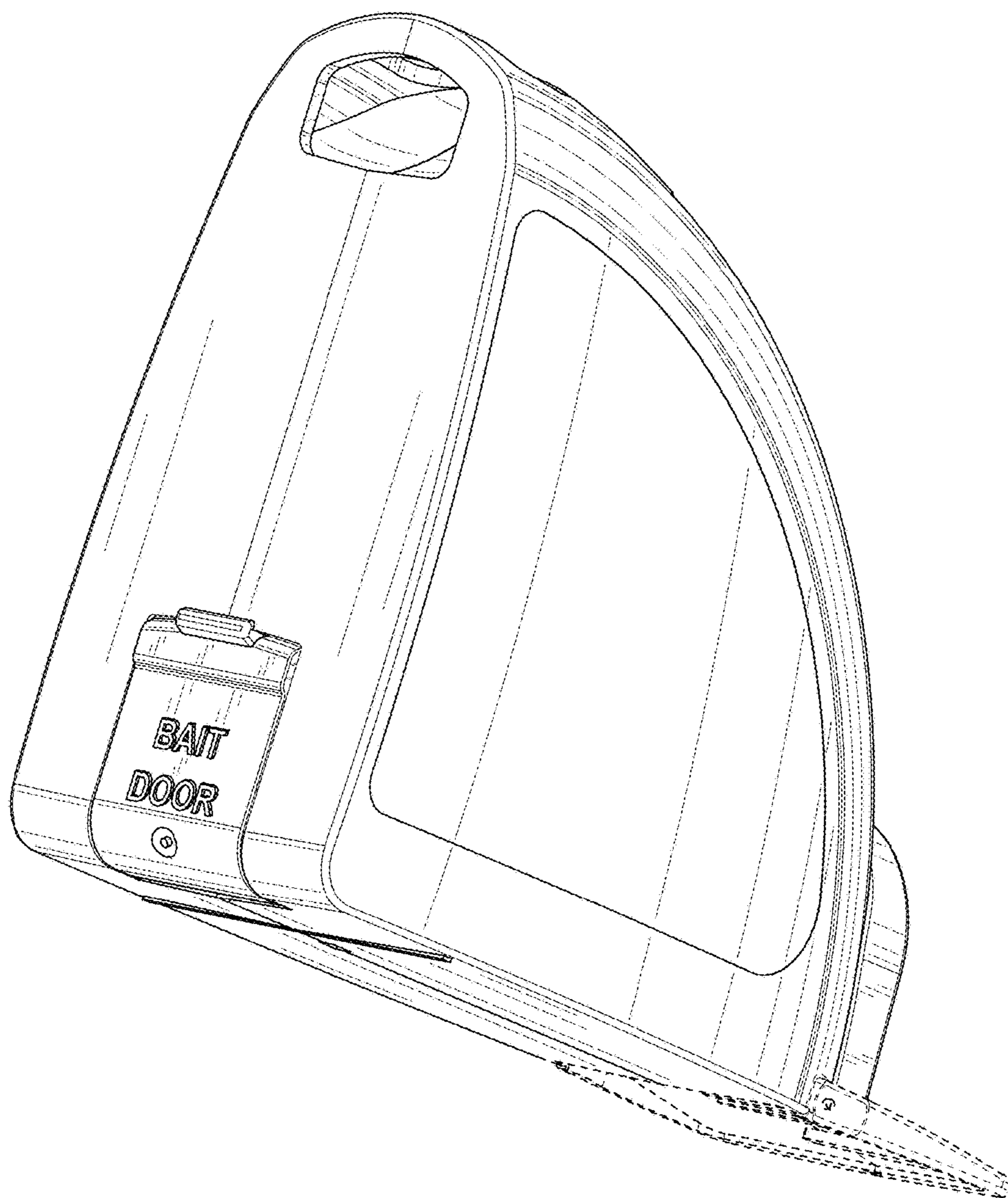


FIG. 29

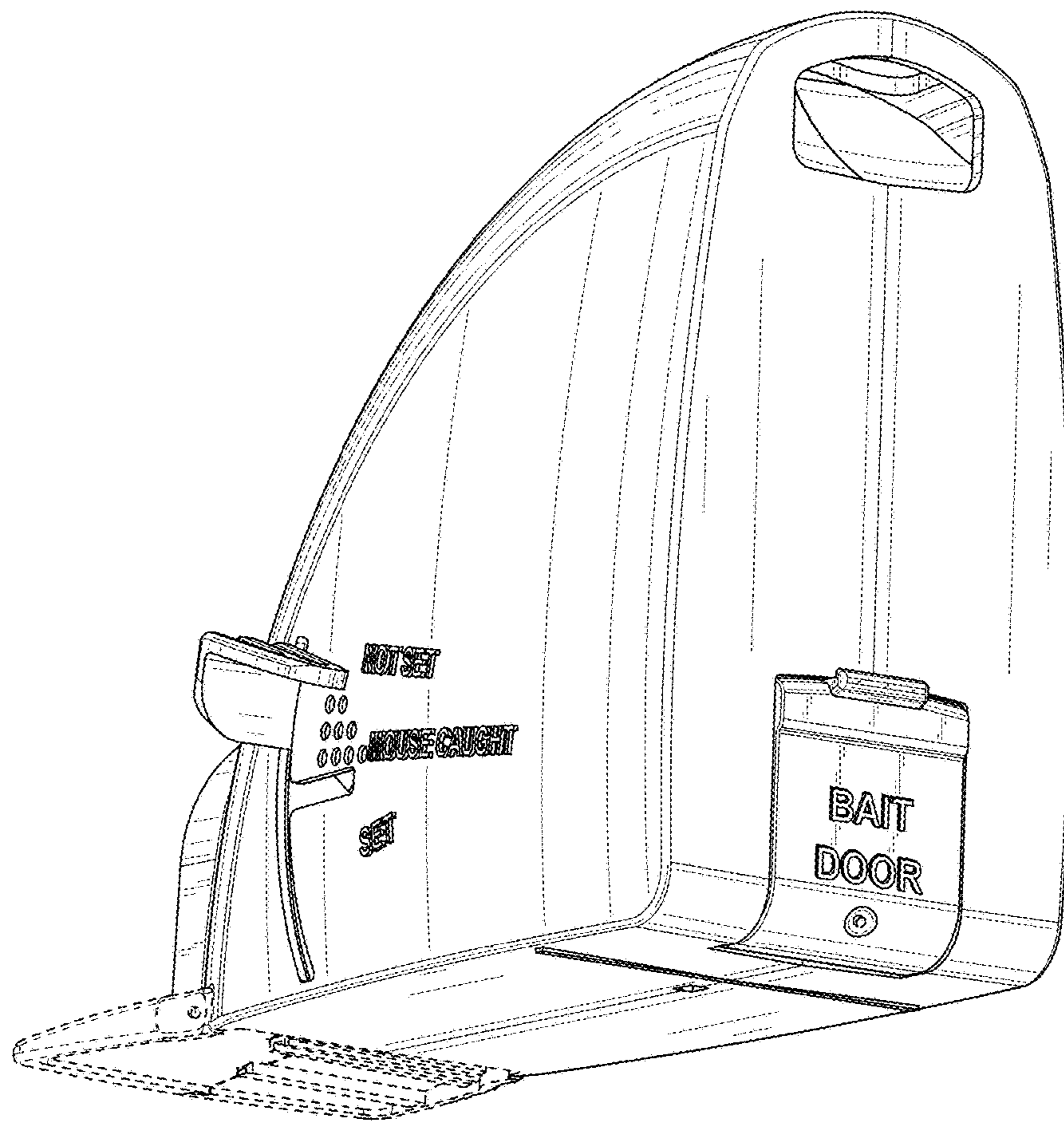


FIG. 30

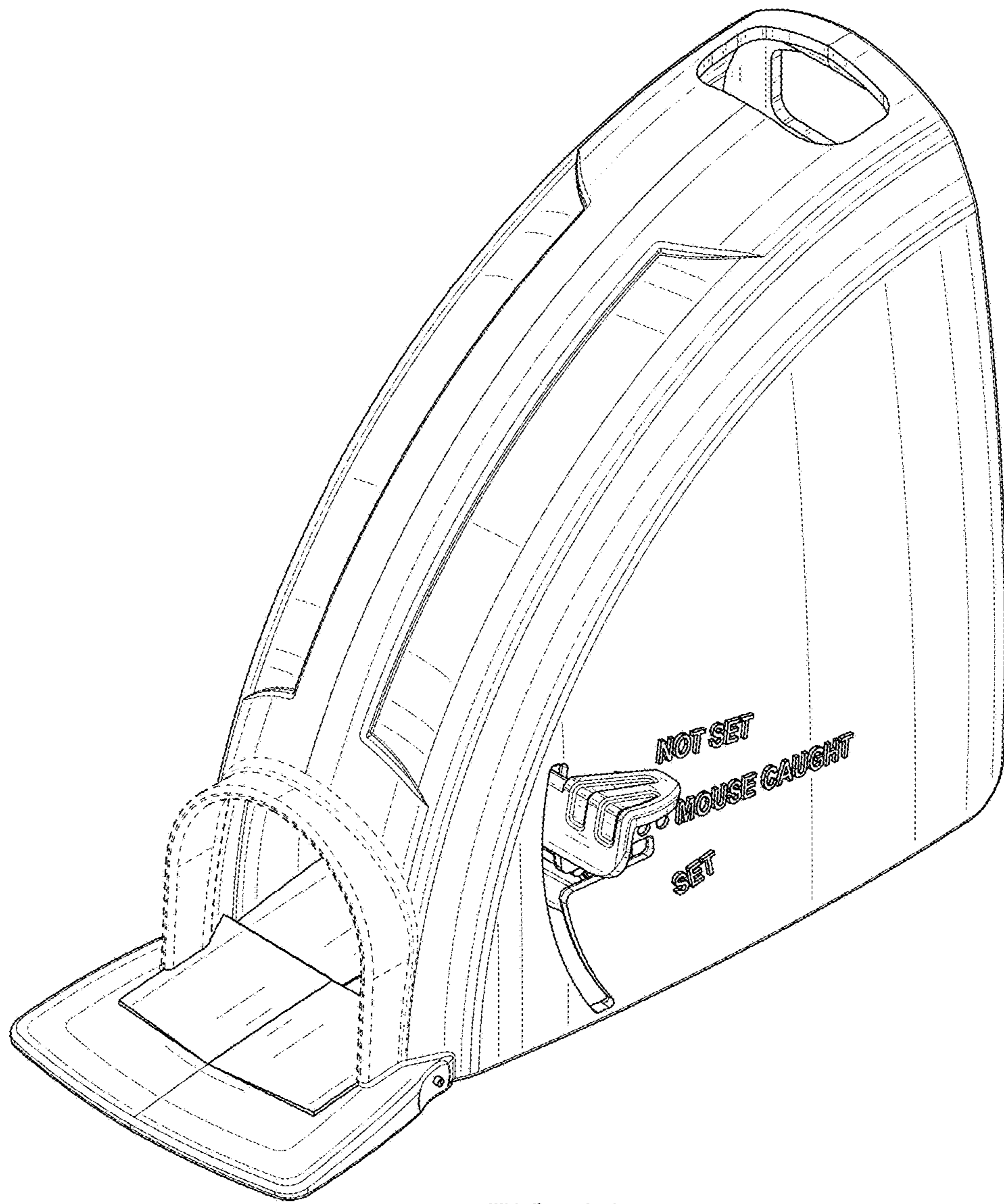


FIG. 31

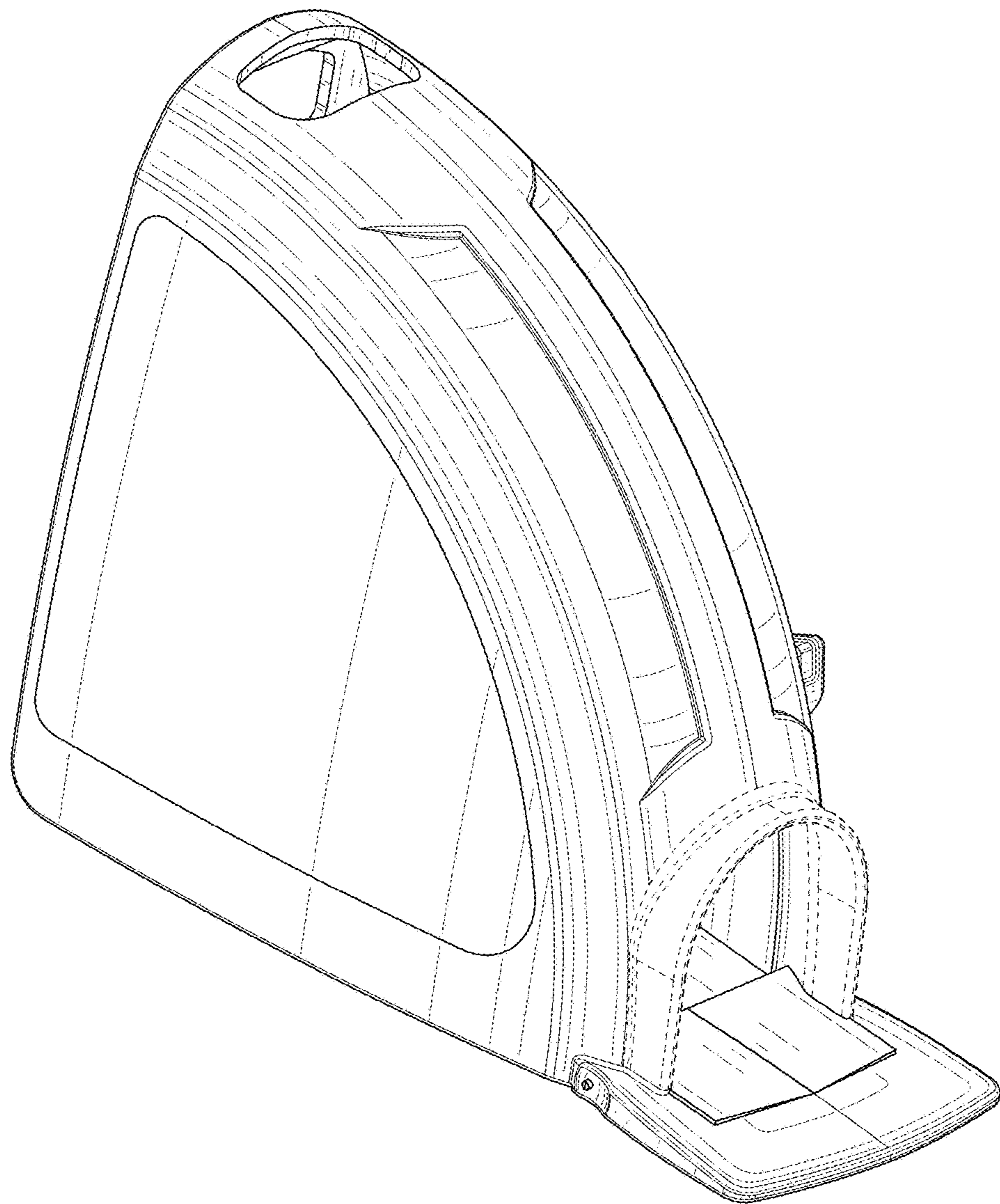


FIG. 32

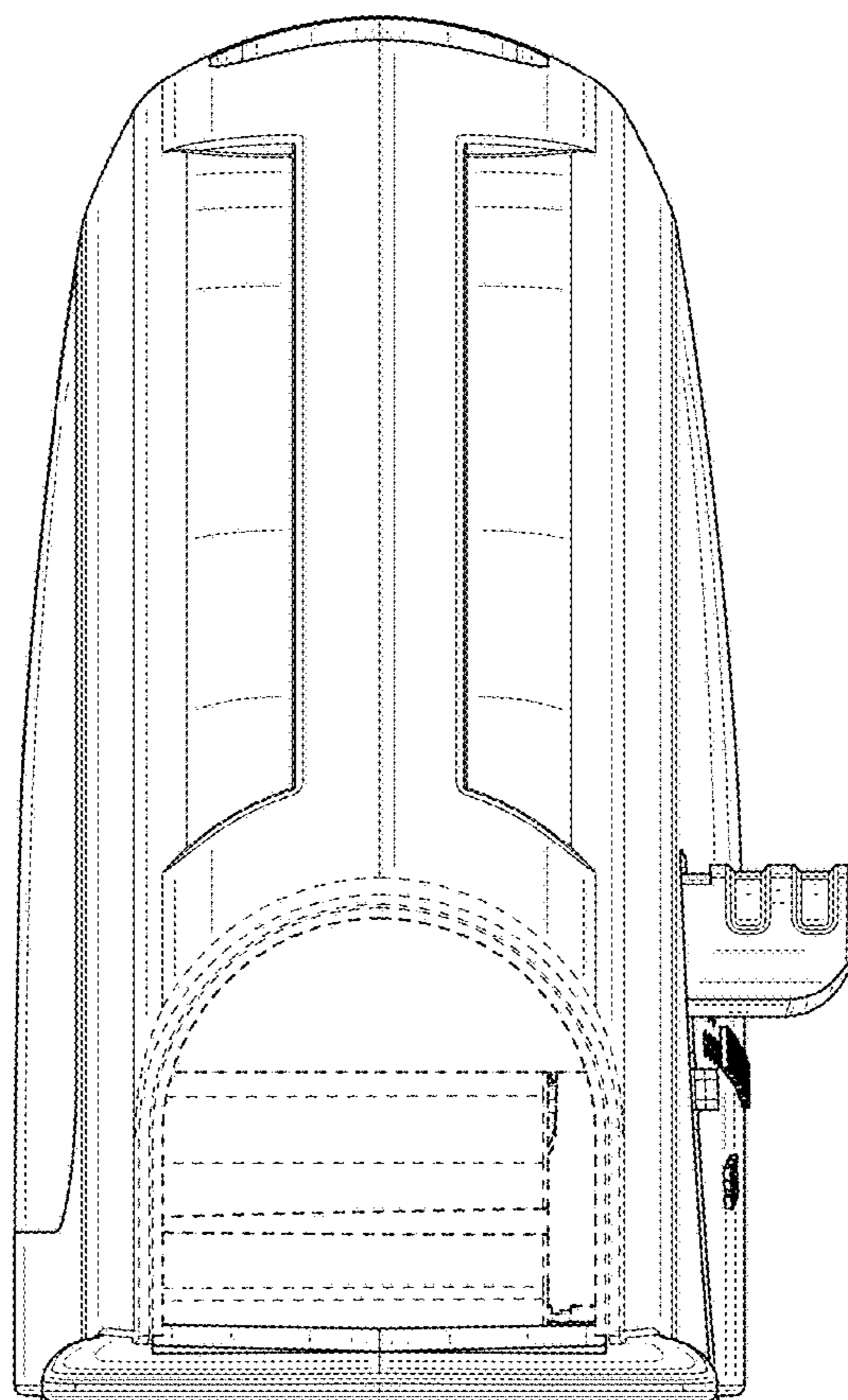


FIG. 33

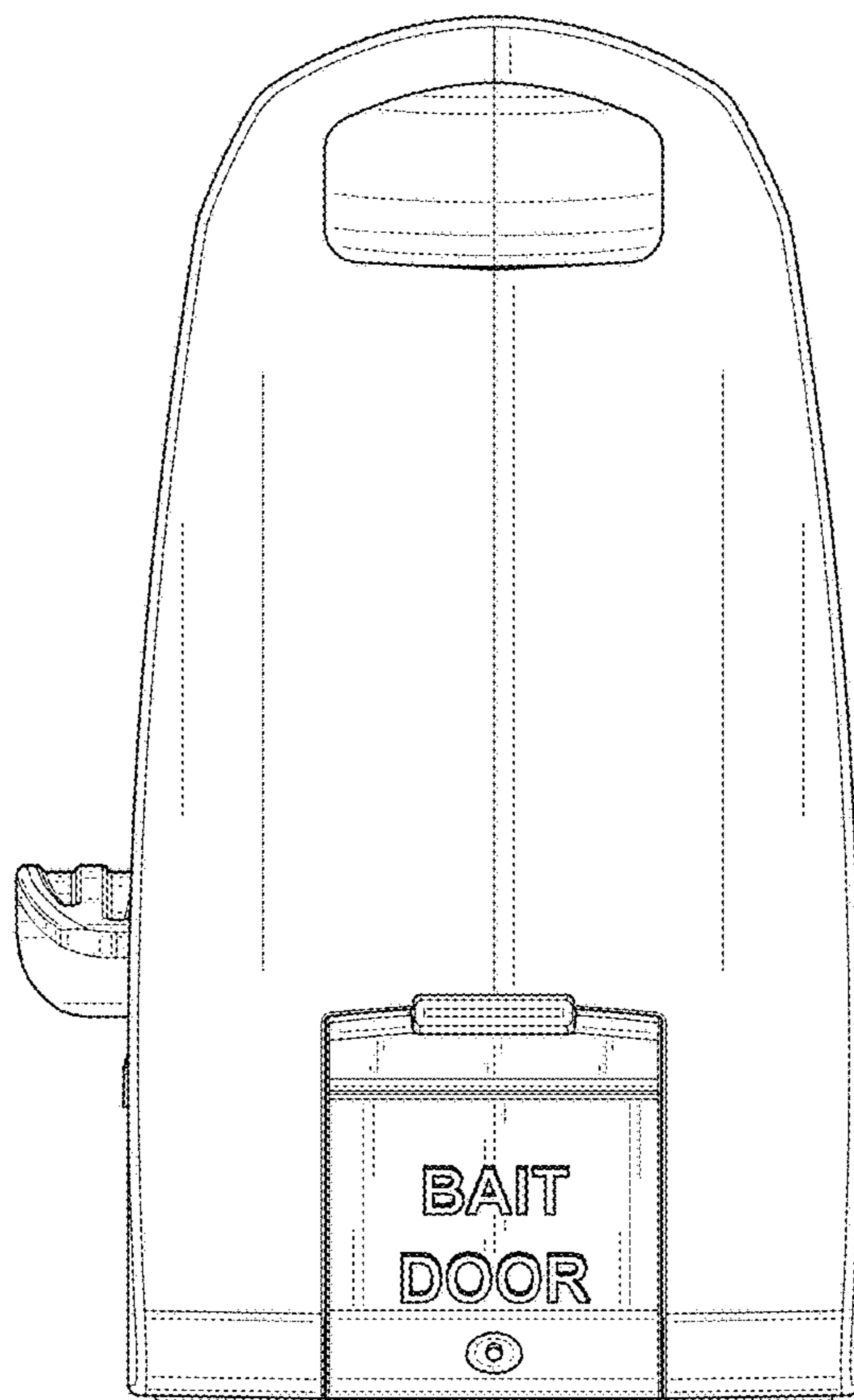


FIG. 34

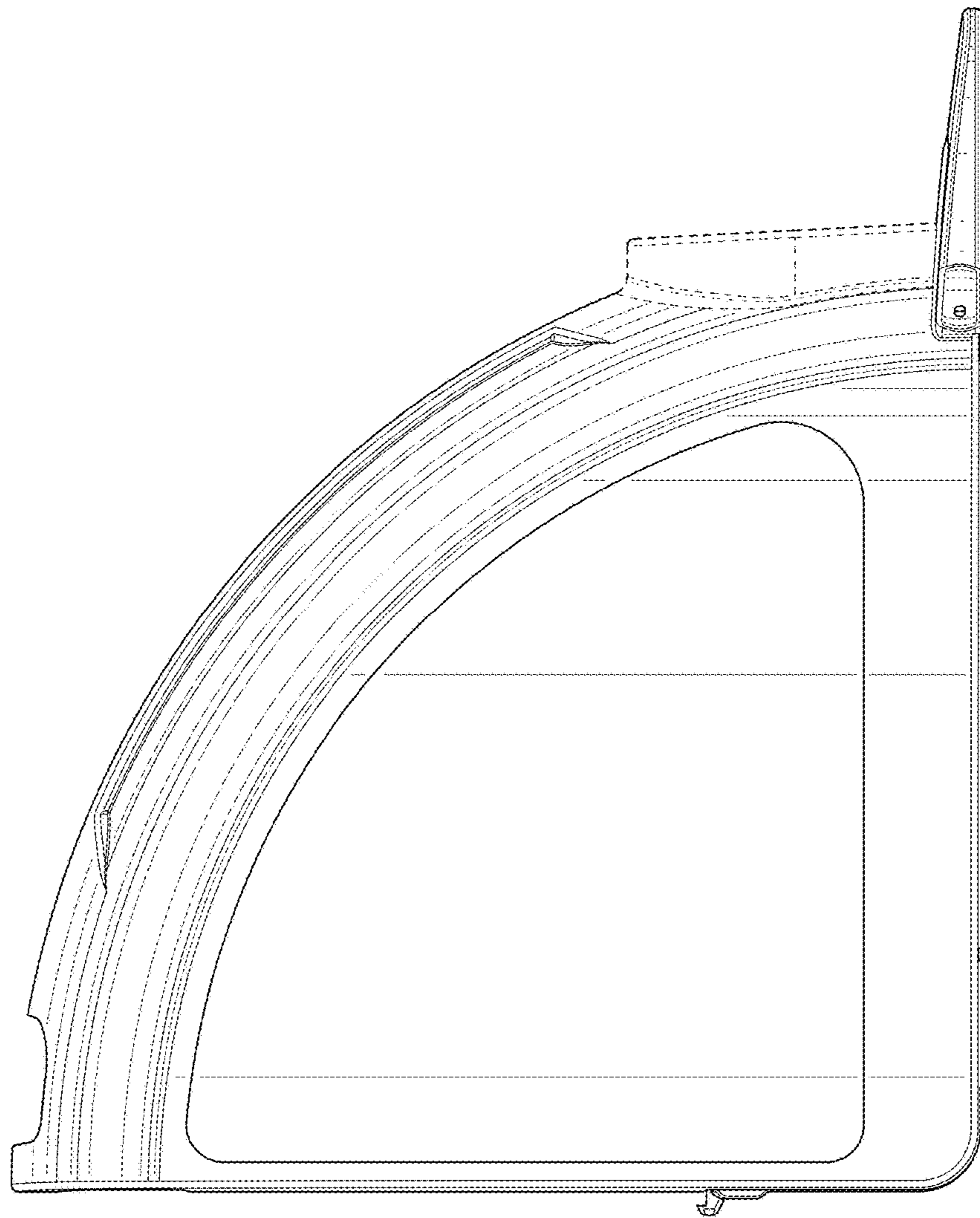


FIG. 35

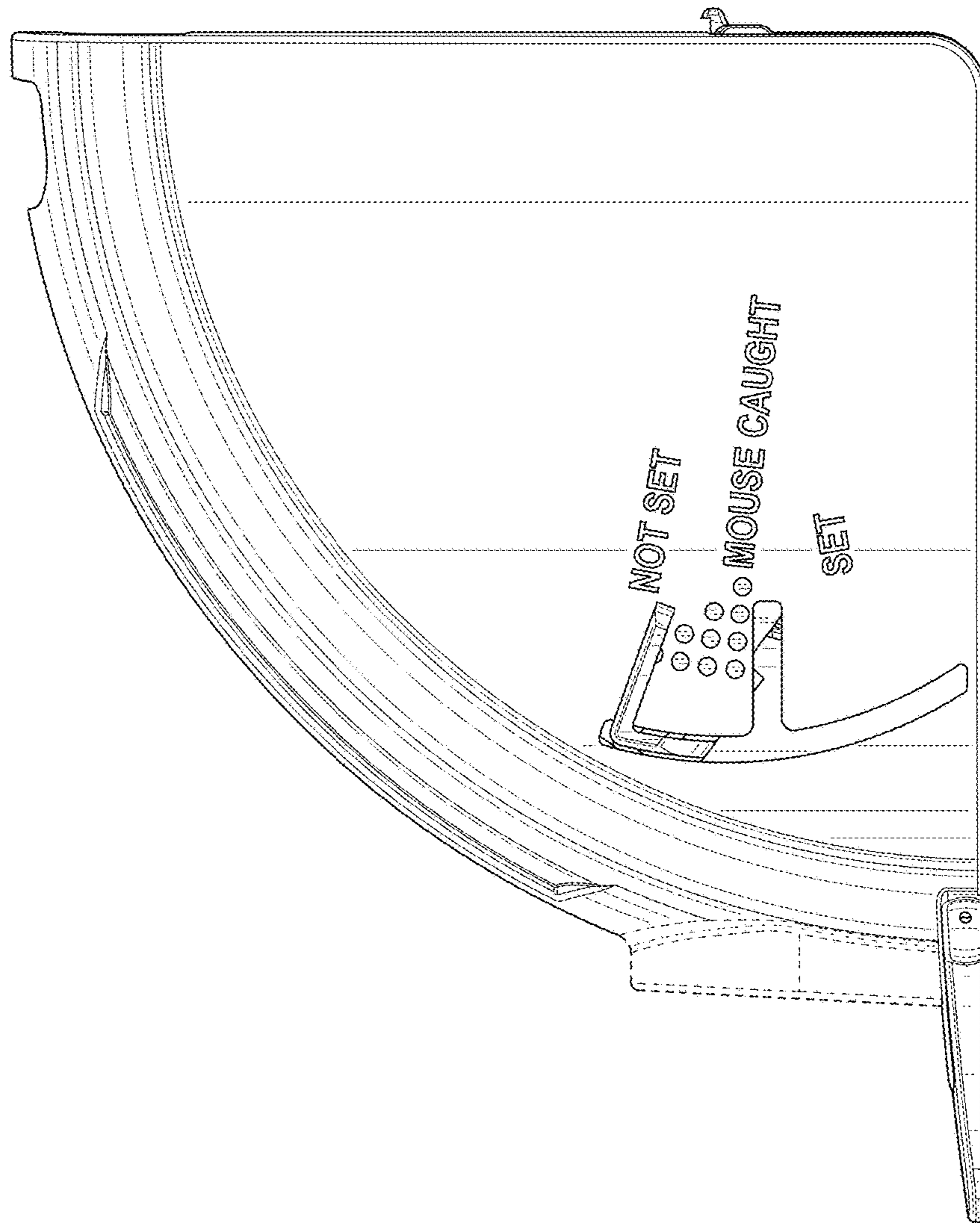


FIG. 36

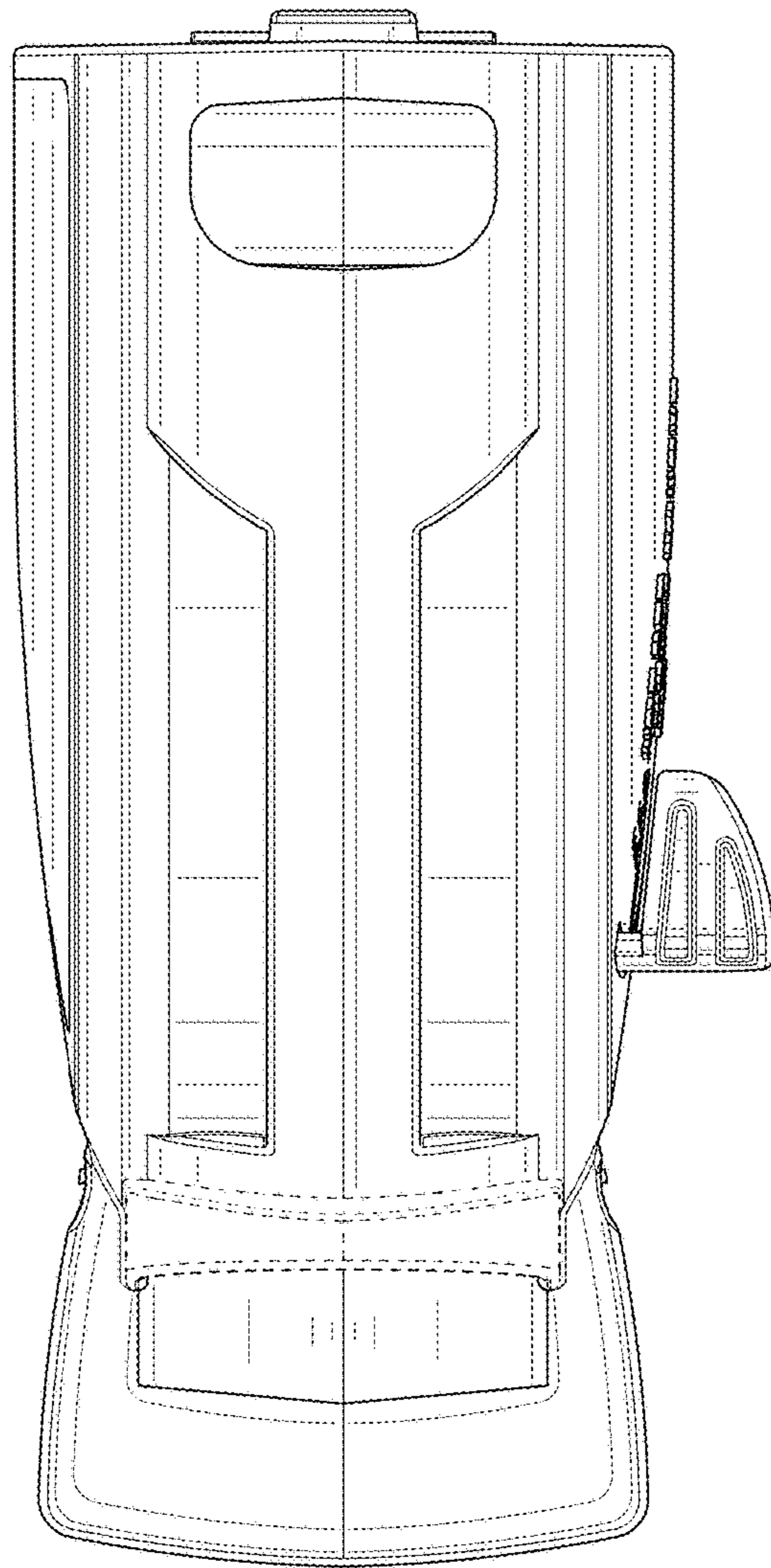


FIG. 37

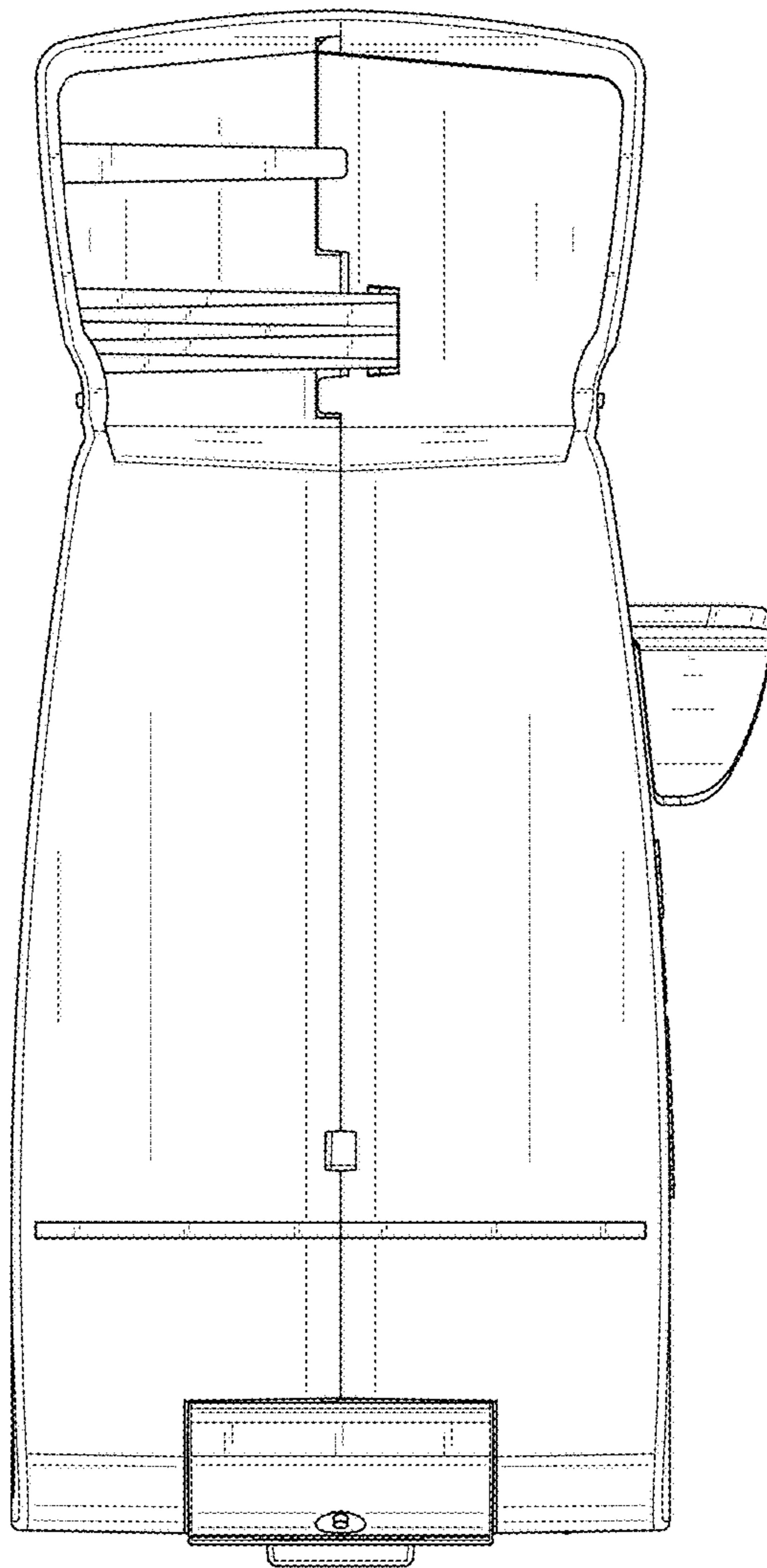


FIG. 38

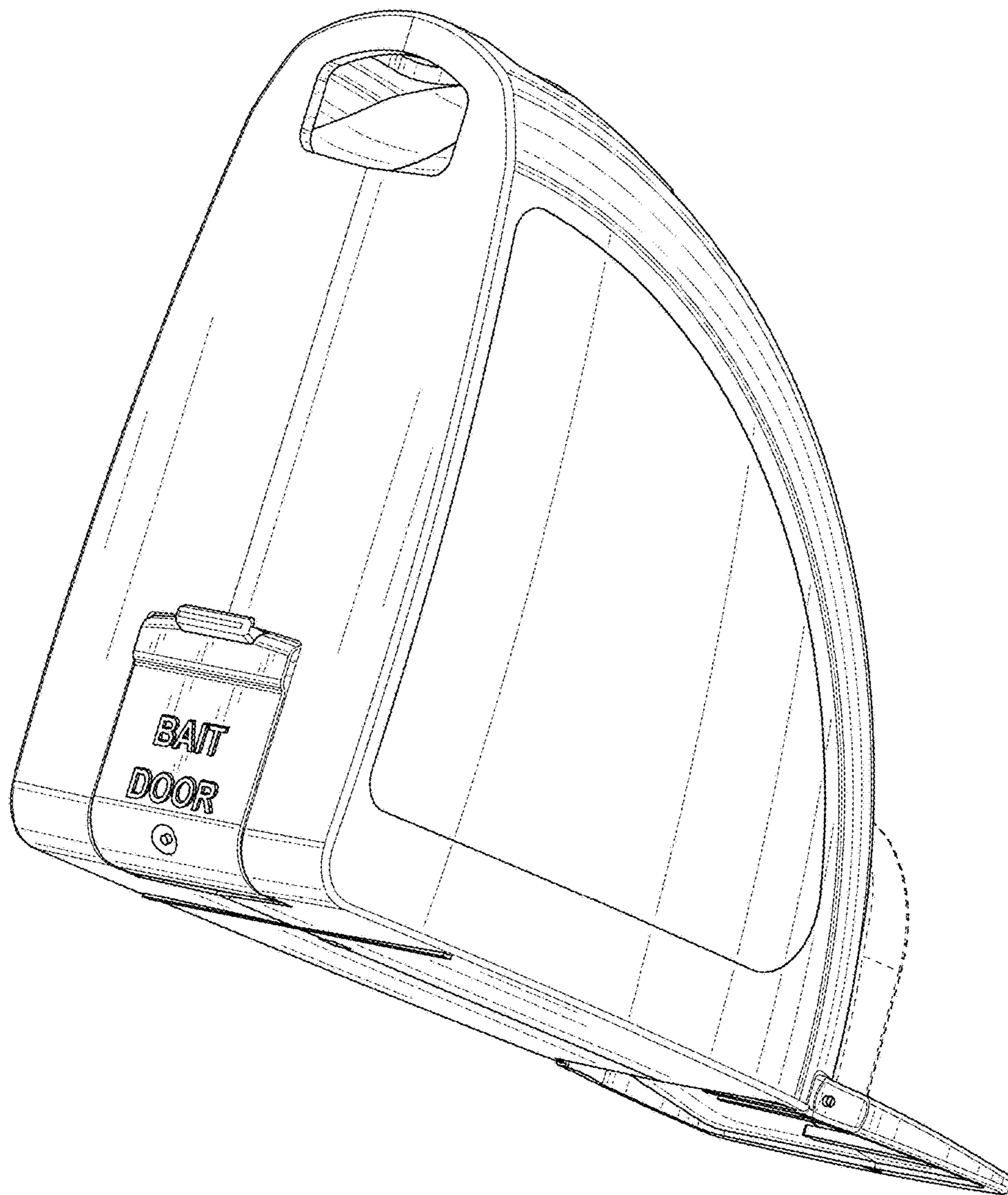


FIG. 39

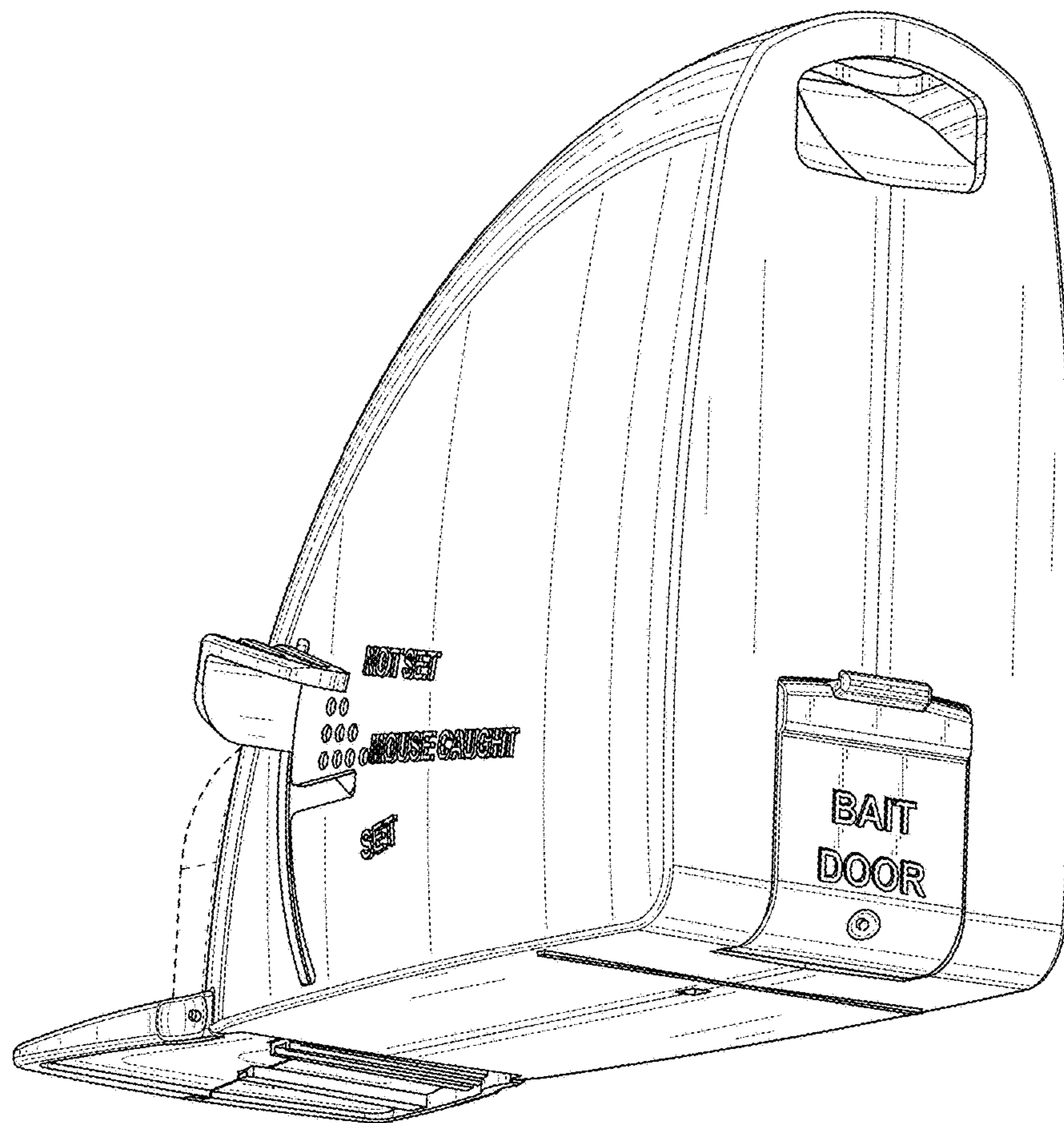


FIG. 40

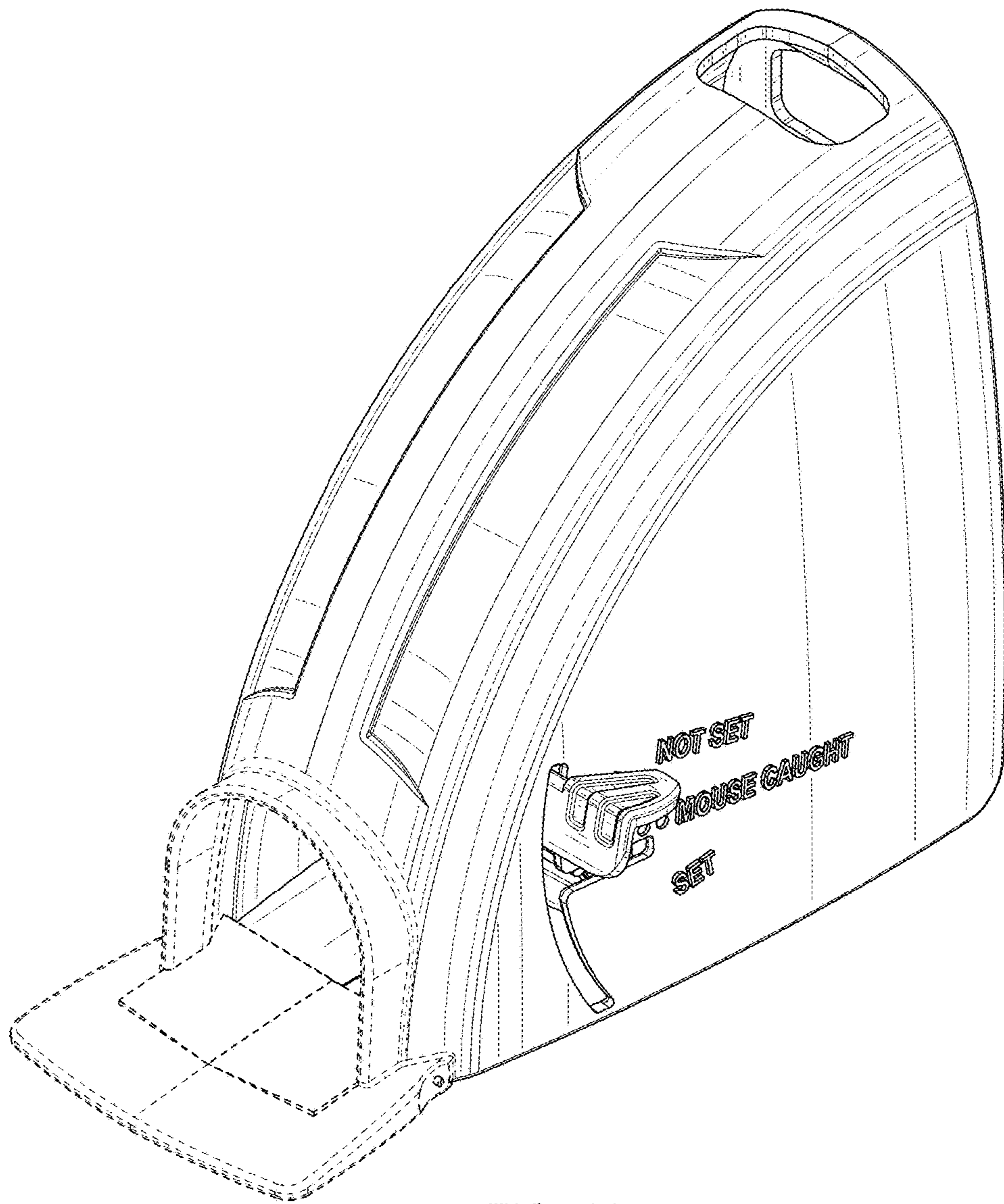


FIG. 41

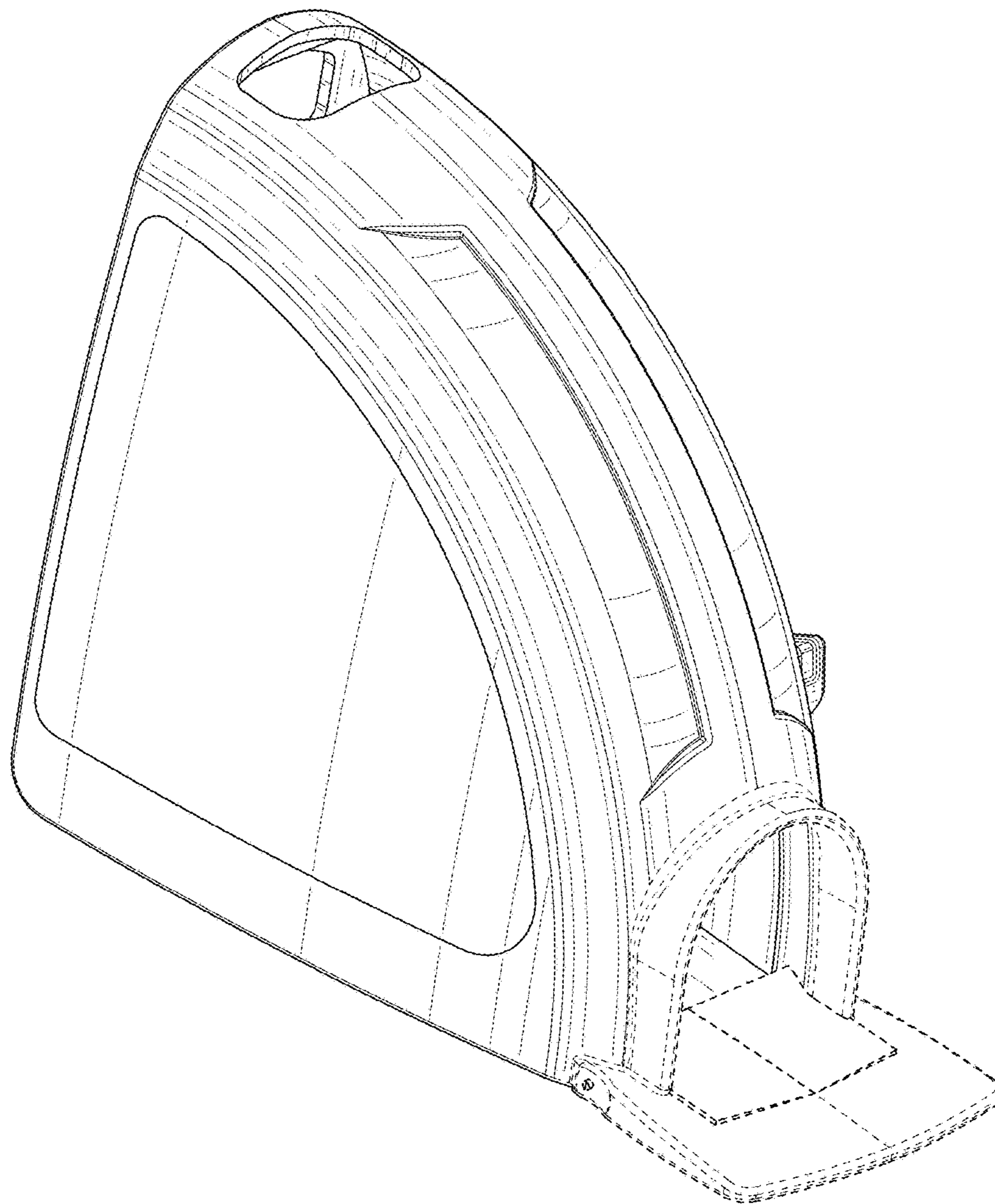


FIG. 42

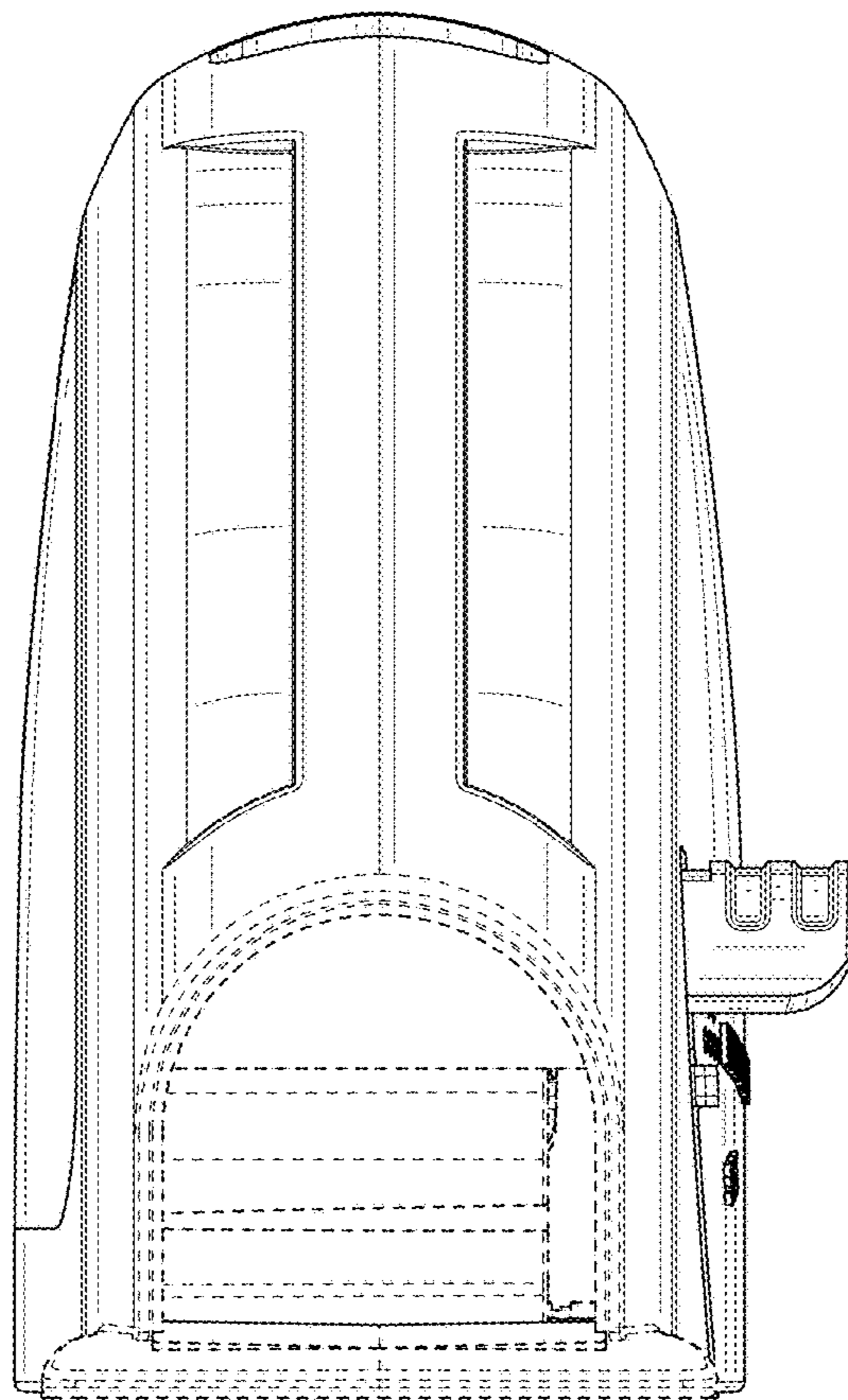


FIG. 43

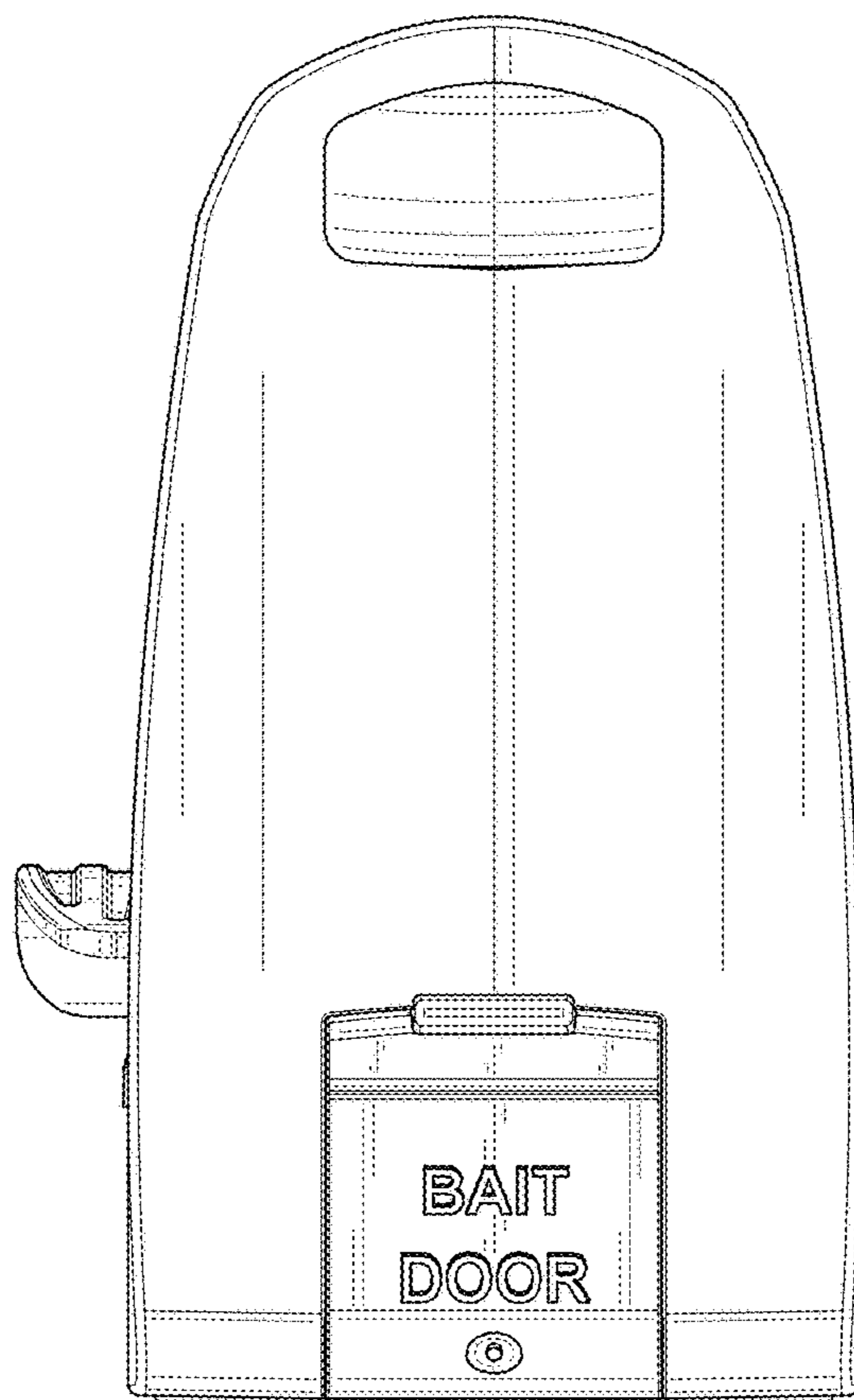


FIG. 44

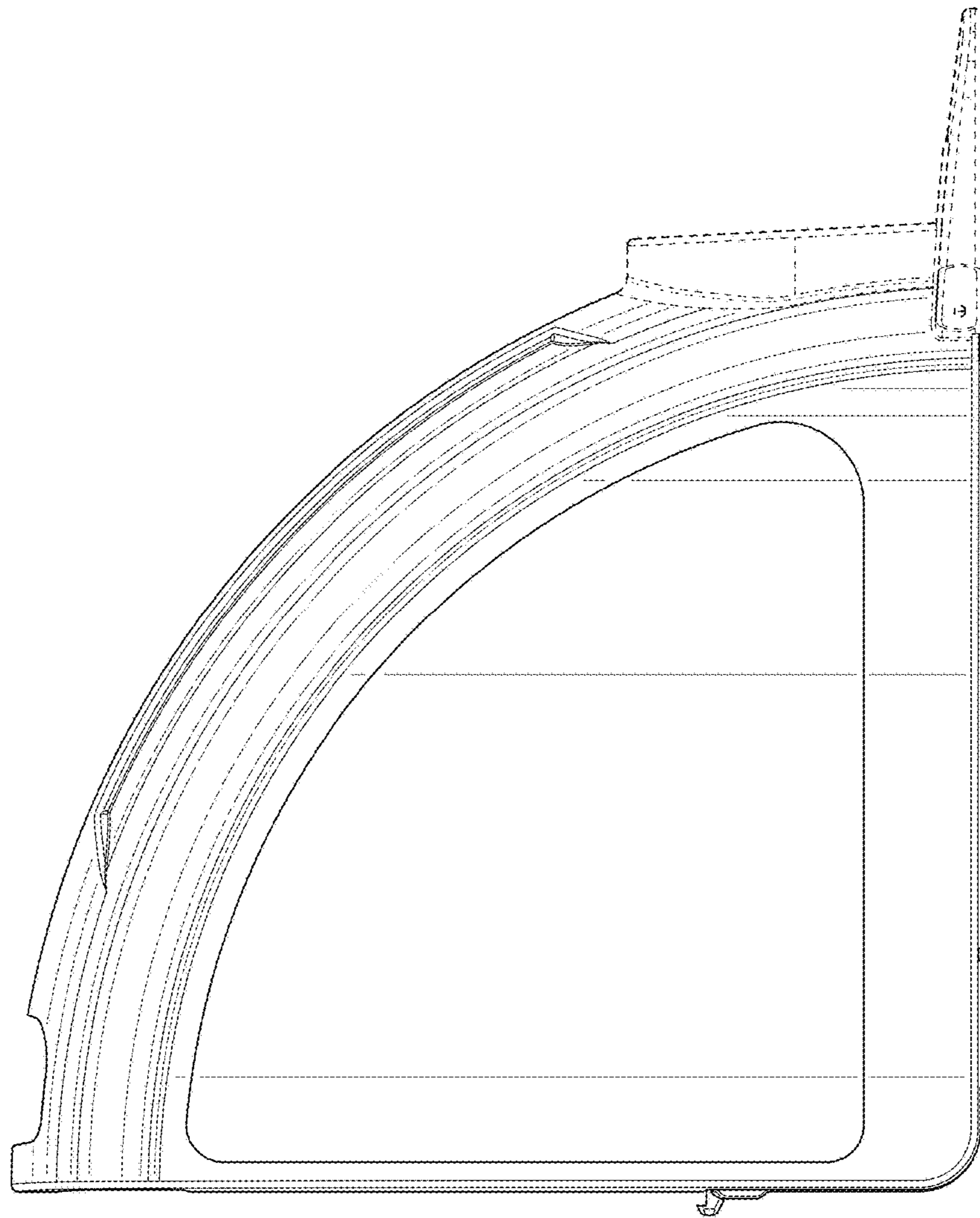


FIG. 45

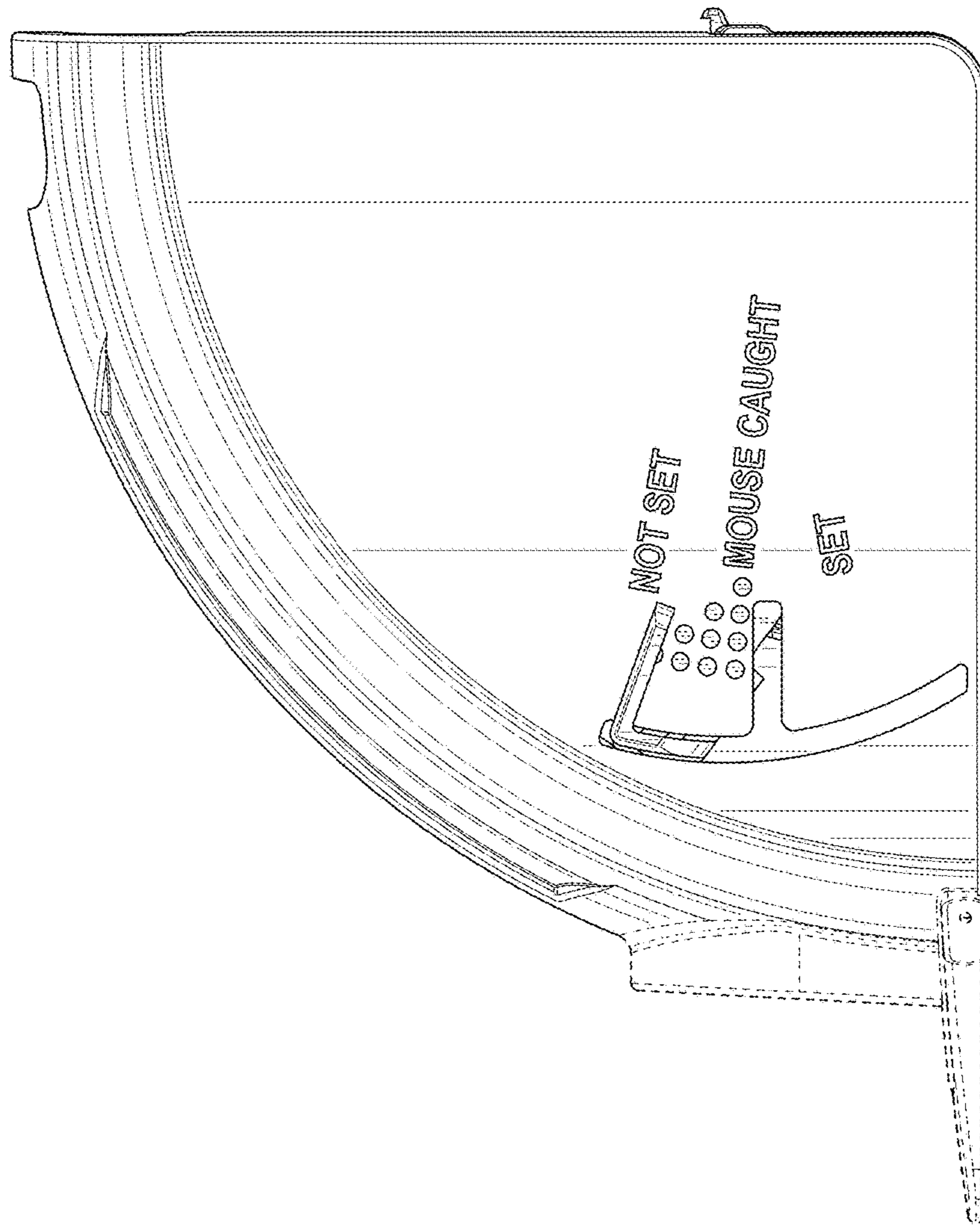


FIG. 46

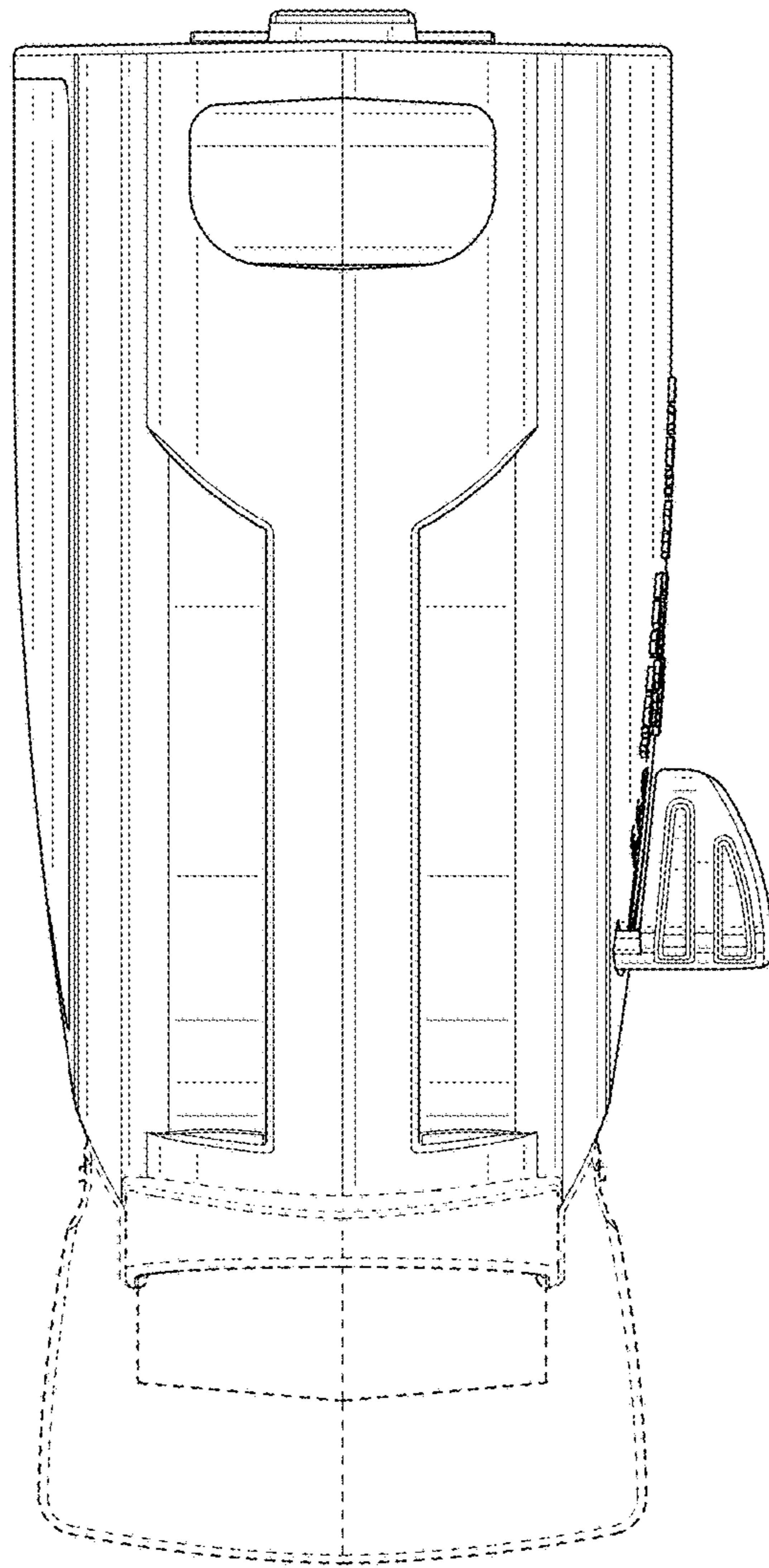


FIG. 47

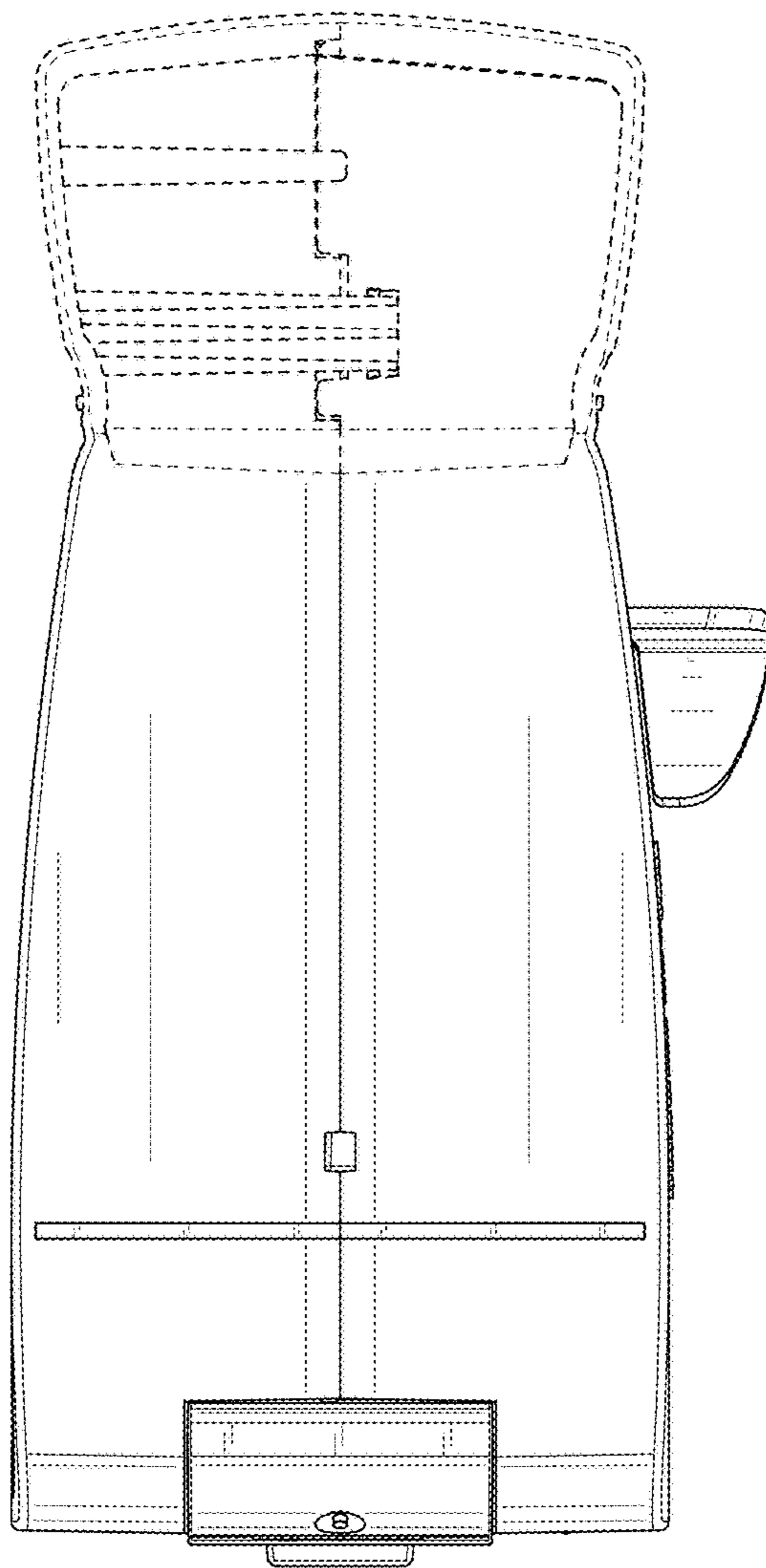


FIG. 48

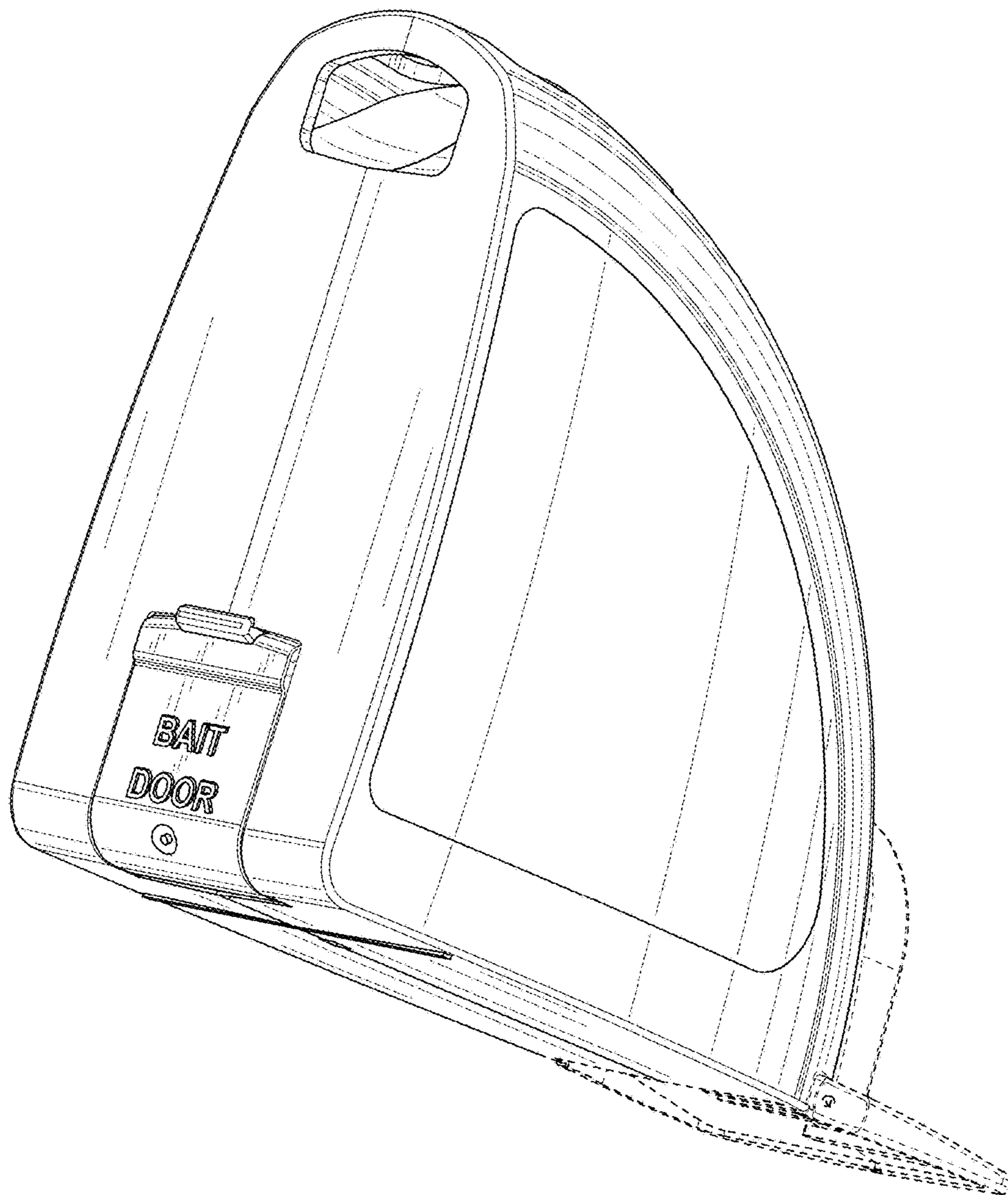


FIG. 49

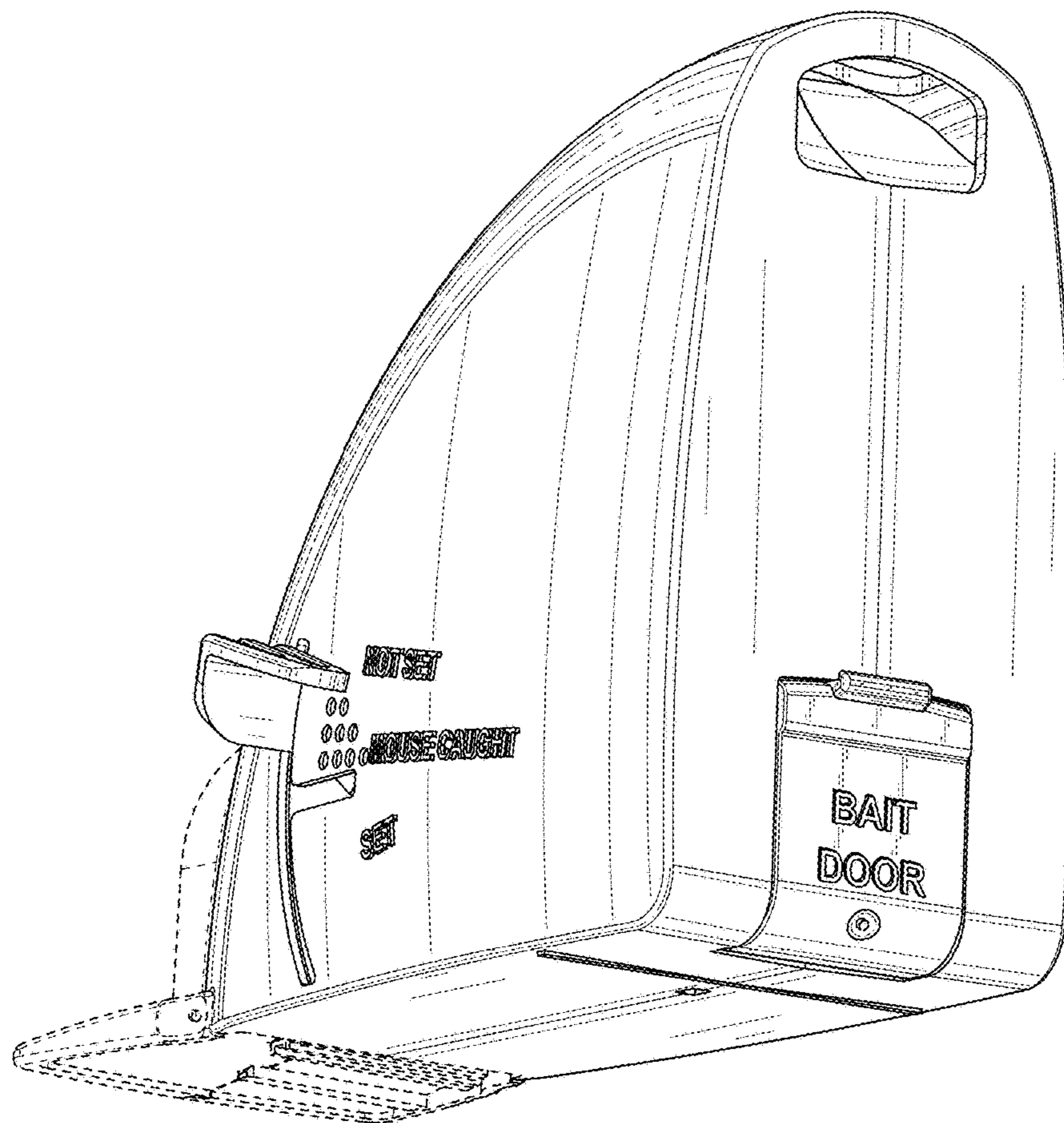


FIG. 50

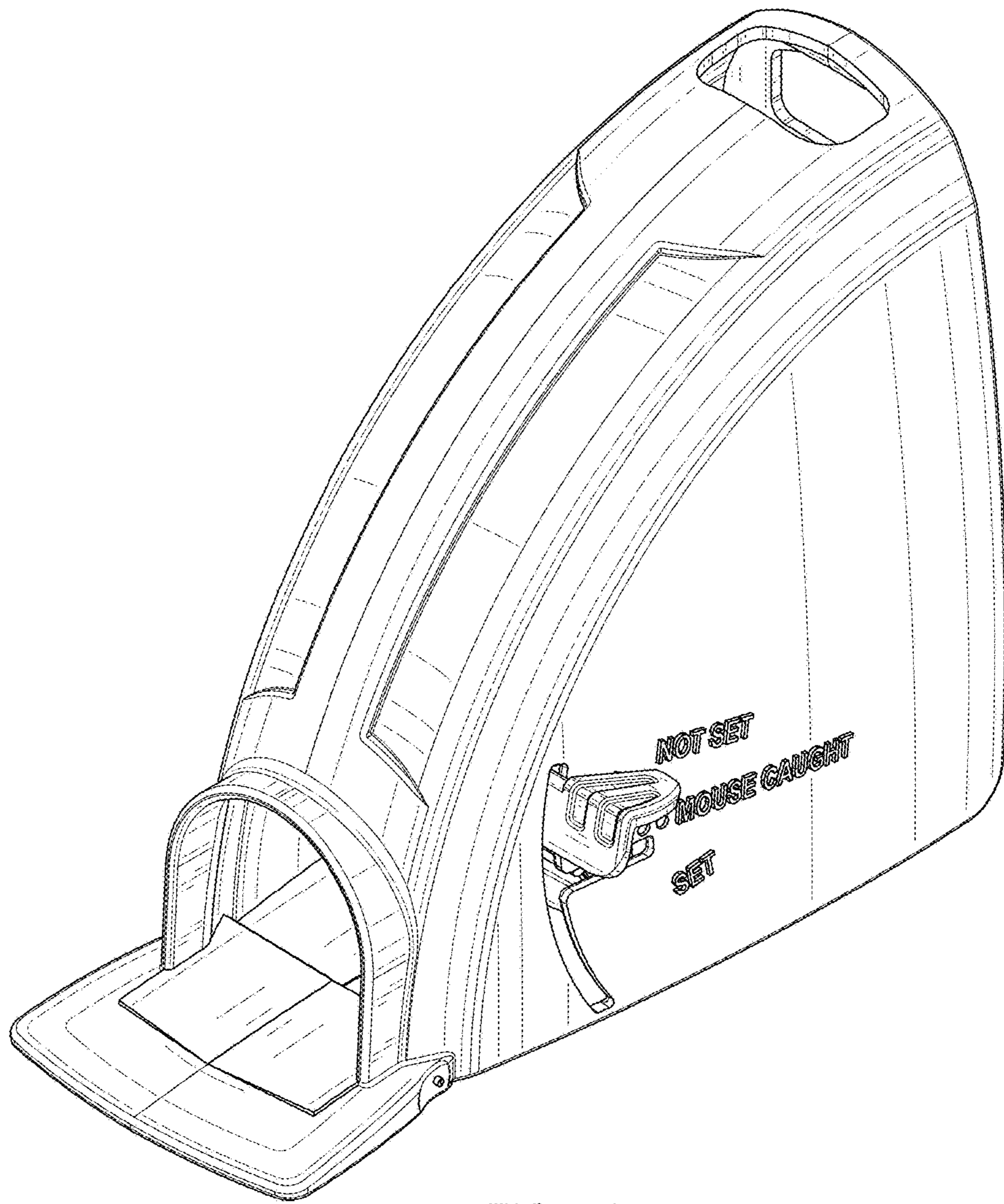


FIG. 51

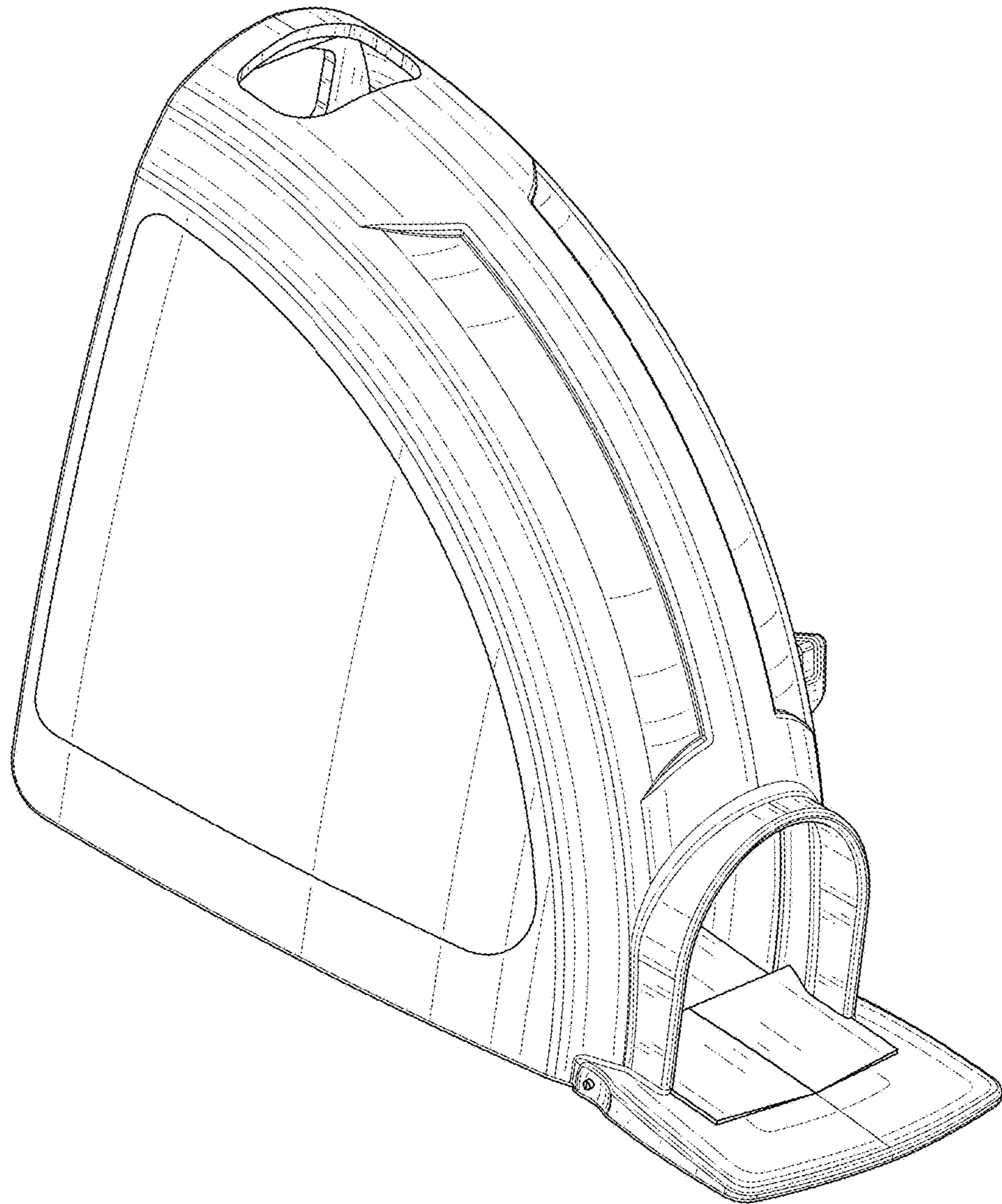


FIG. 52

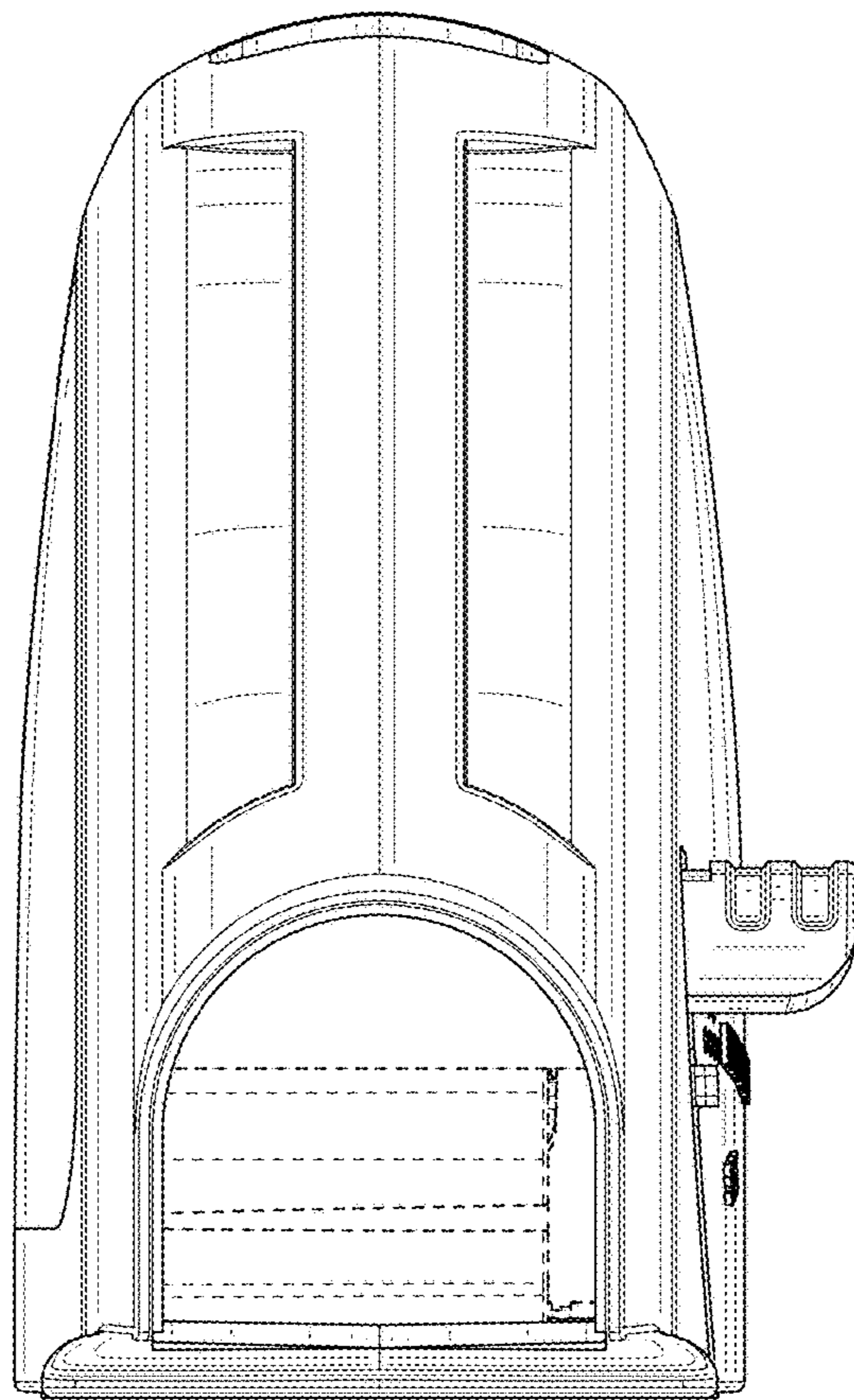


FIG. 53

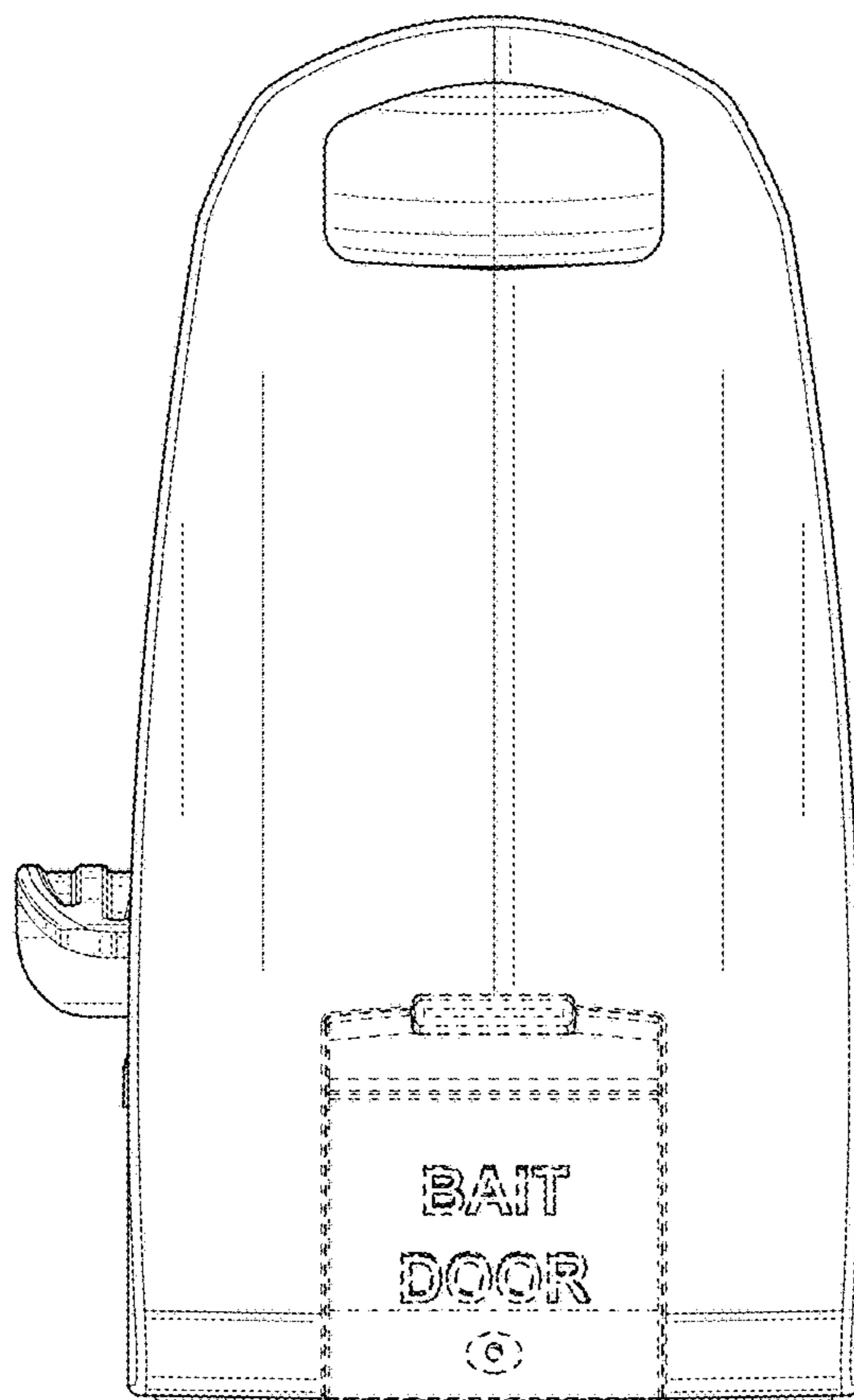


FIG. 54

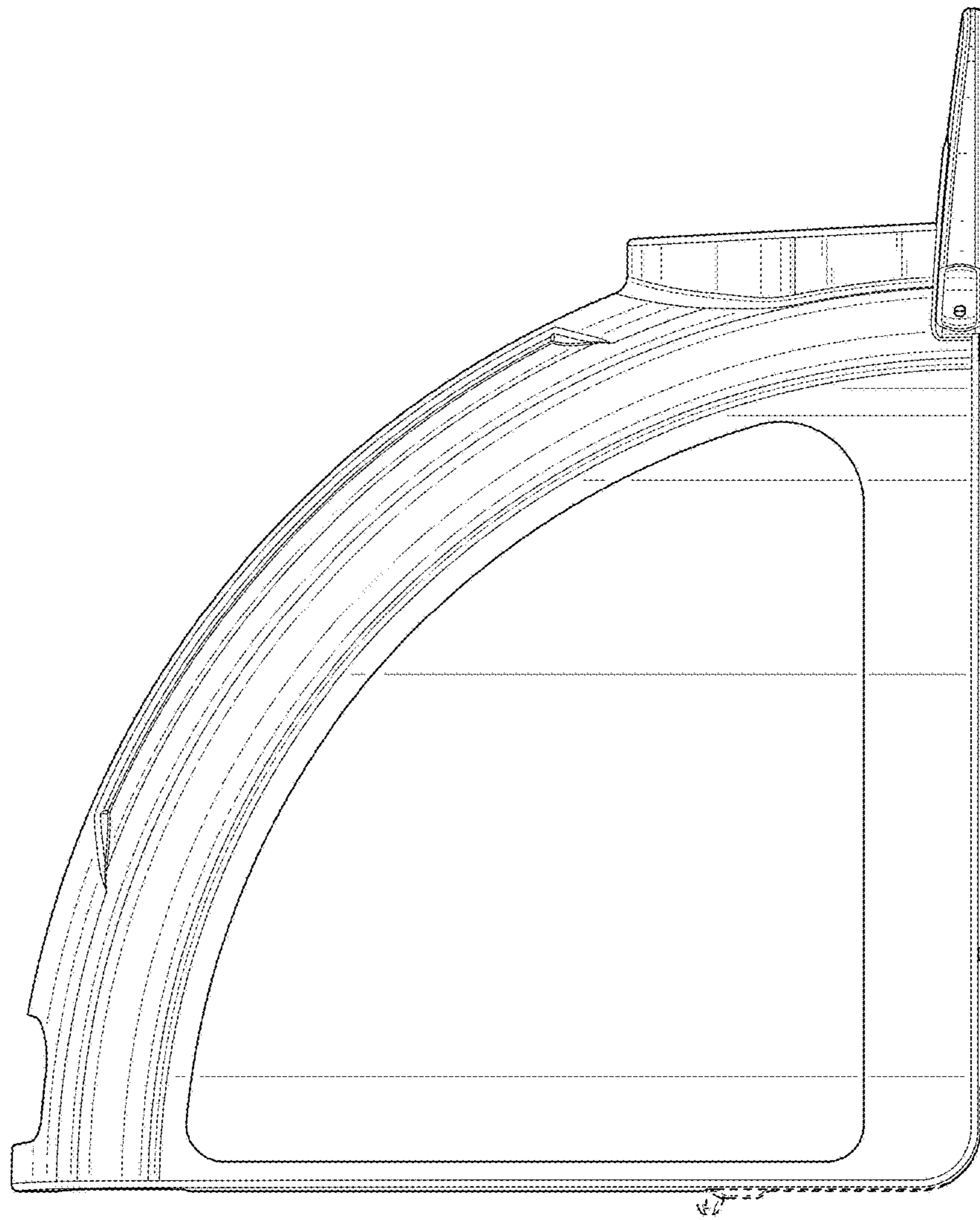


FIG. 55

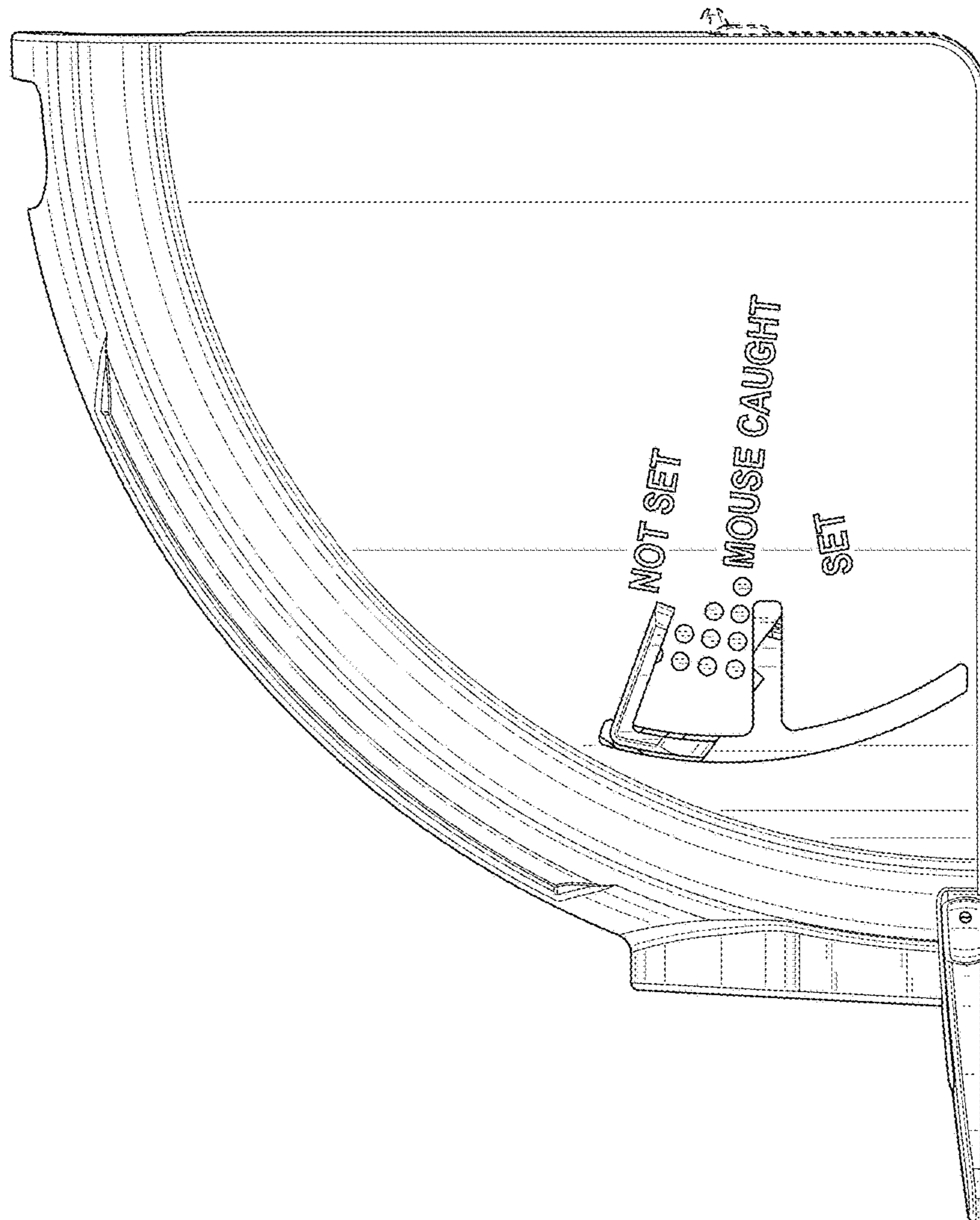


FIG. 56

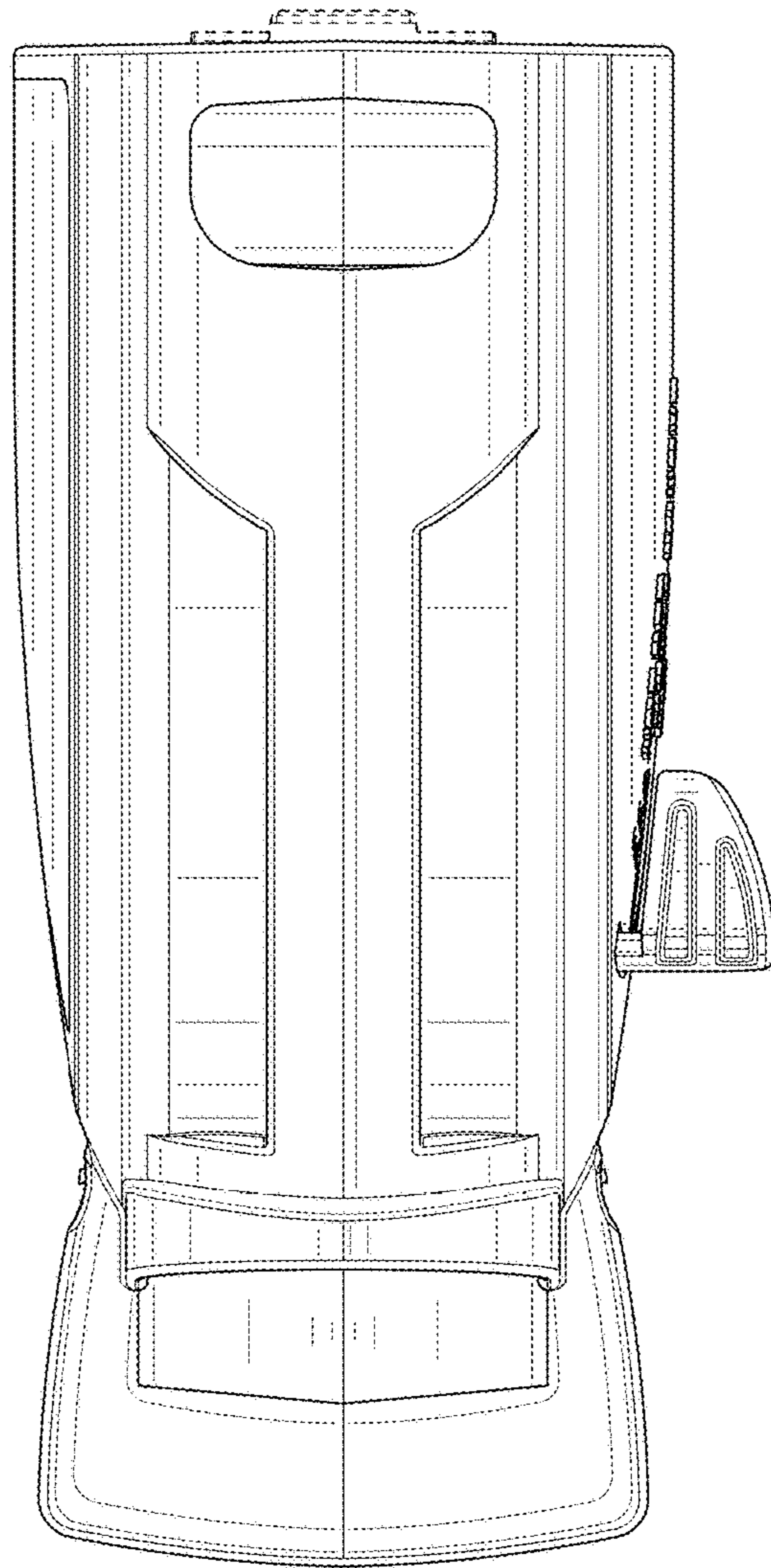


FIG. 57

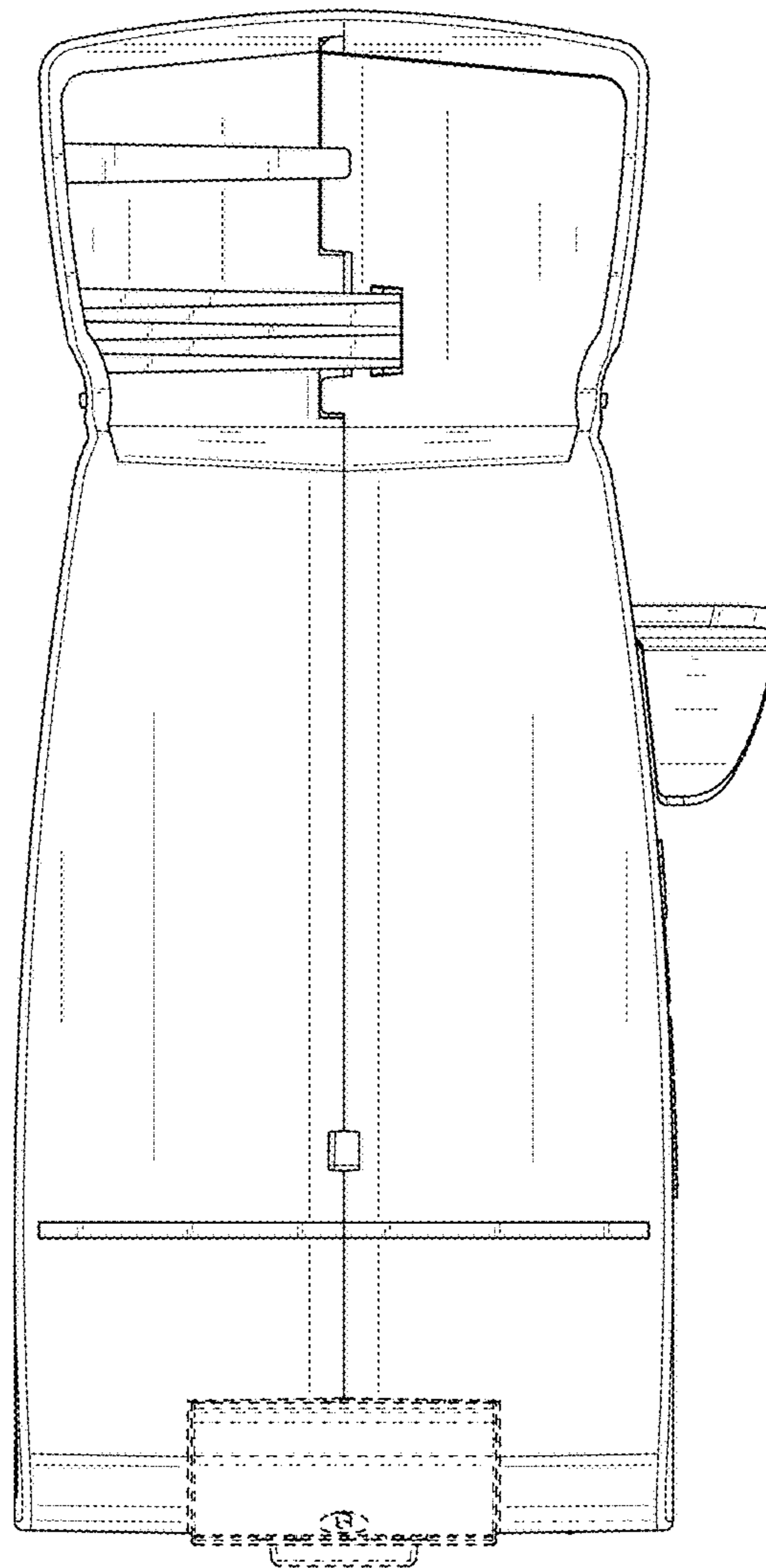


FIG. 58

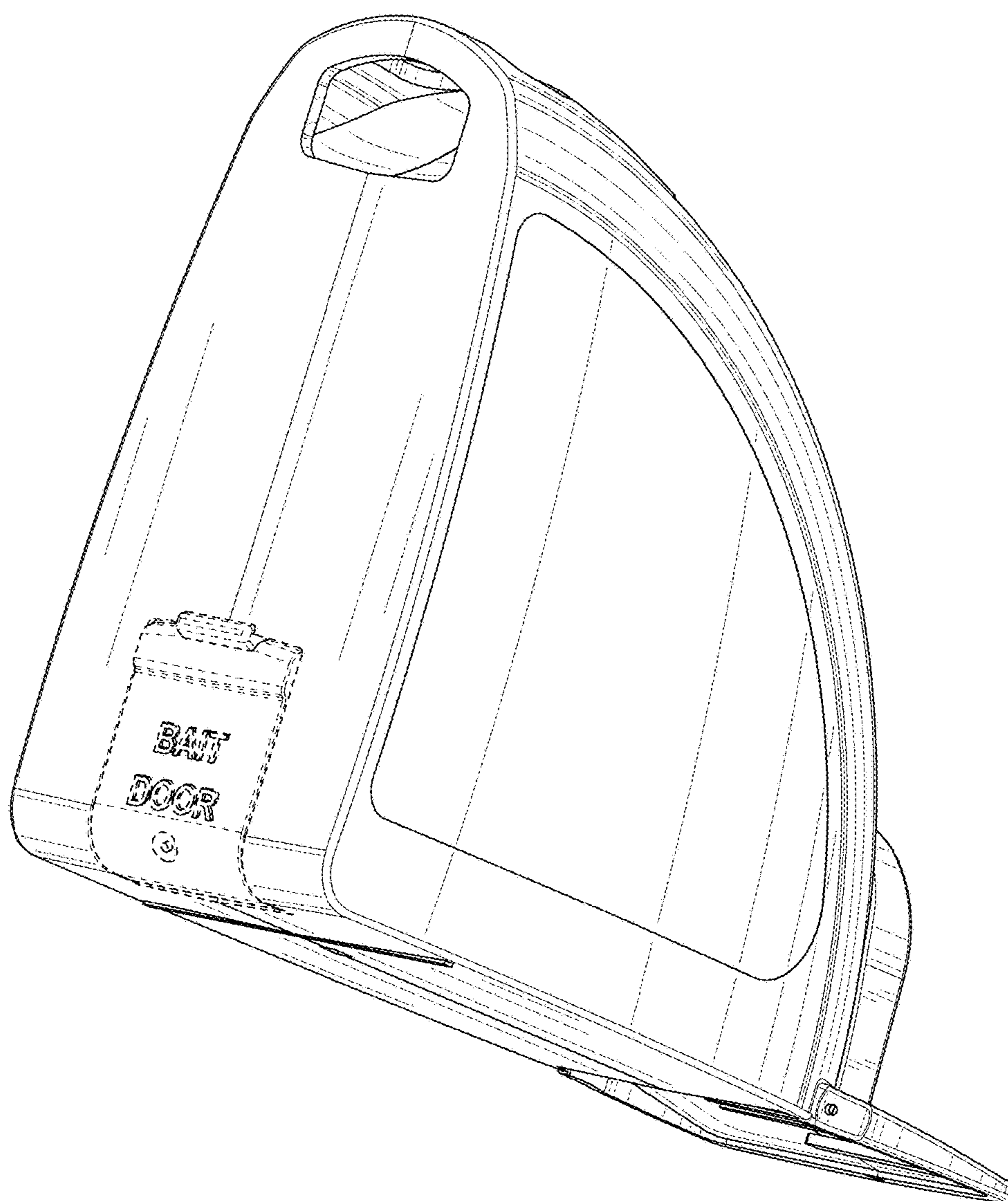


FIG. 59

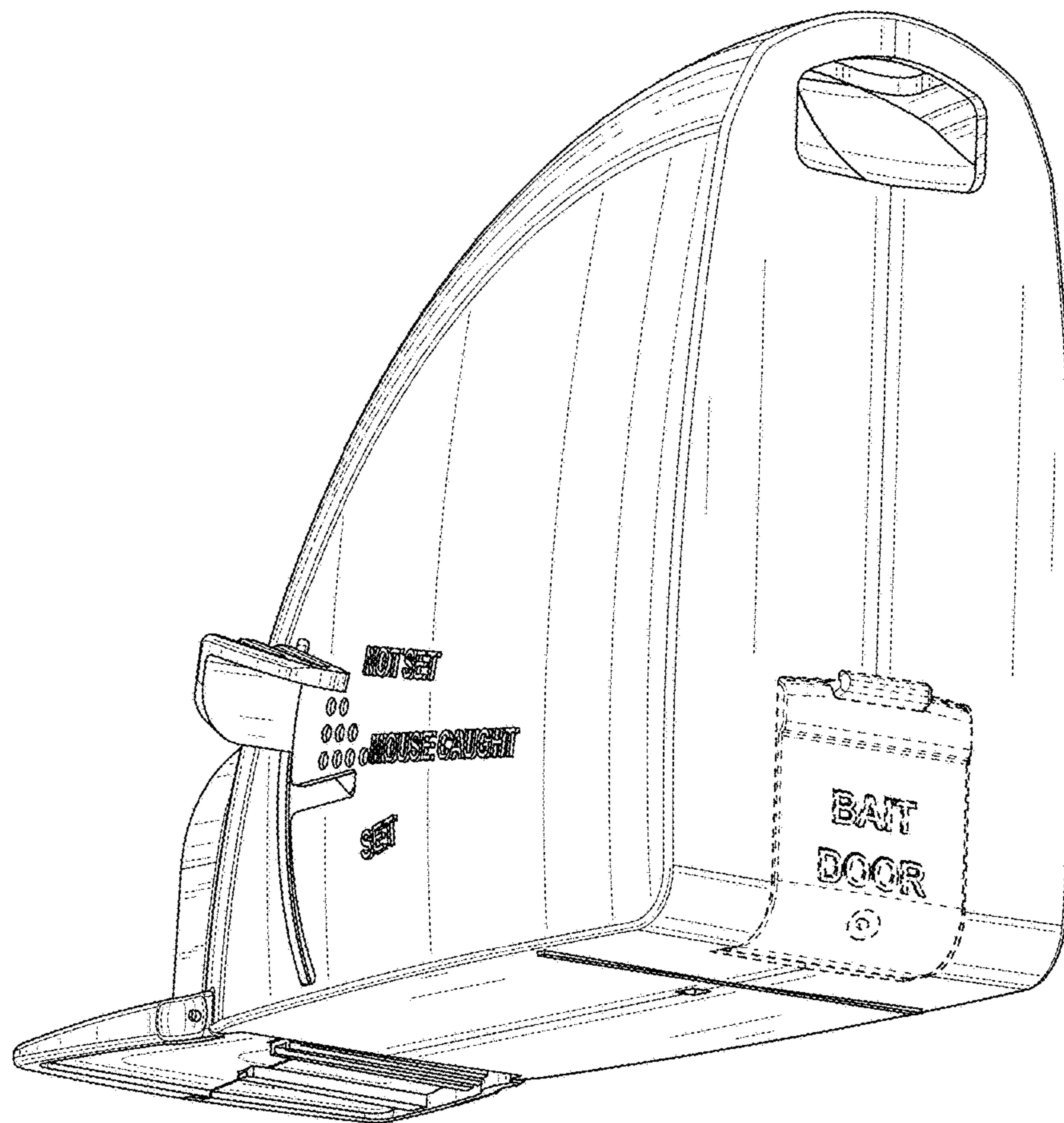


FIG. 60

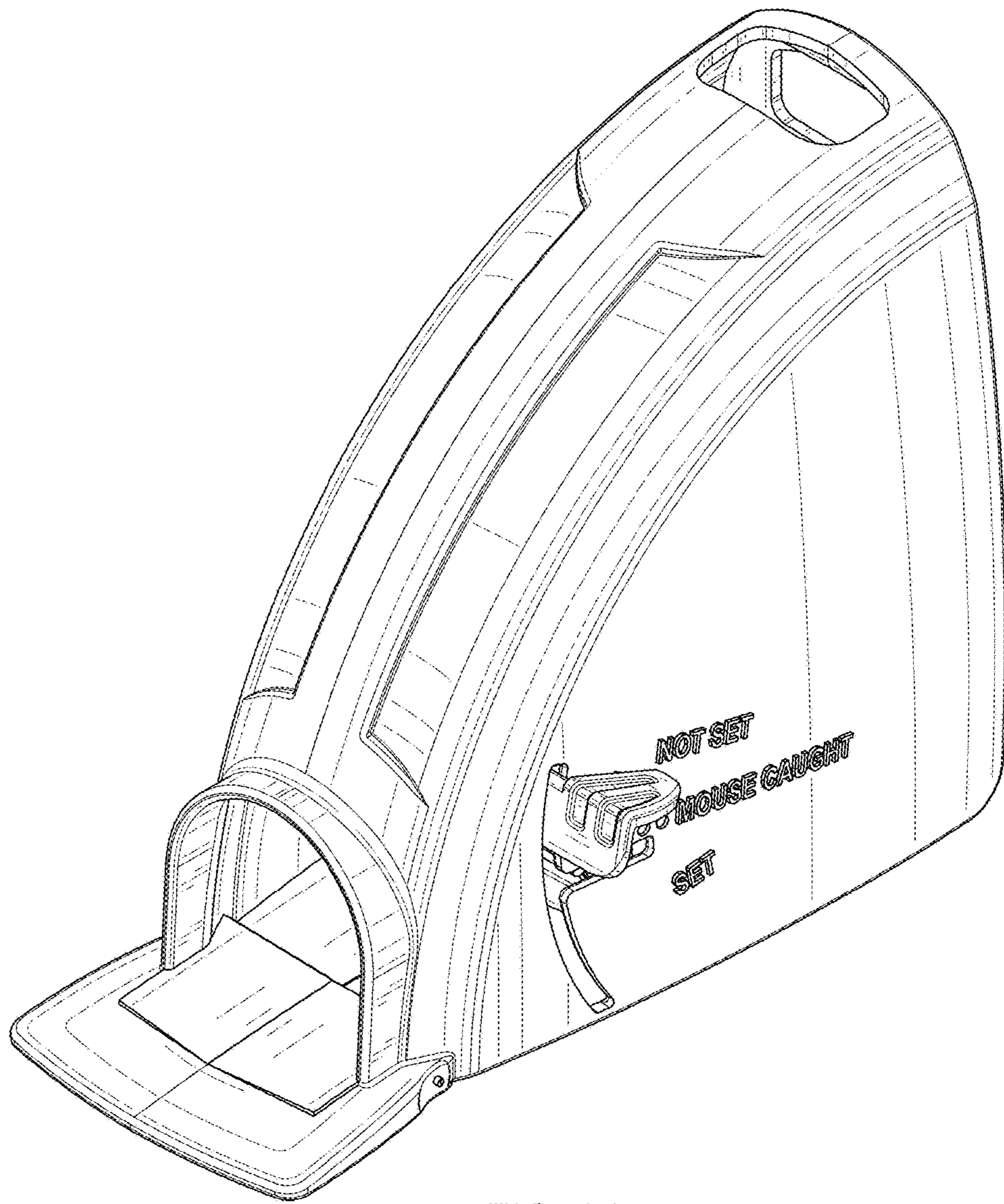


FIG. 61

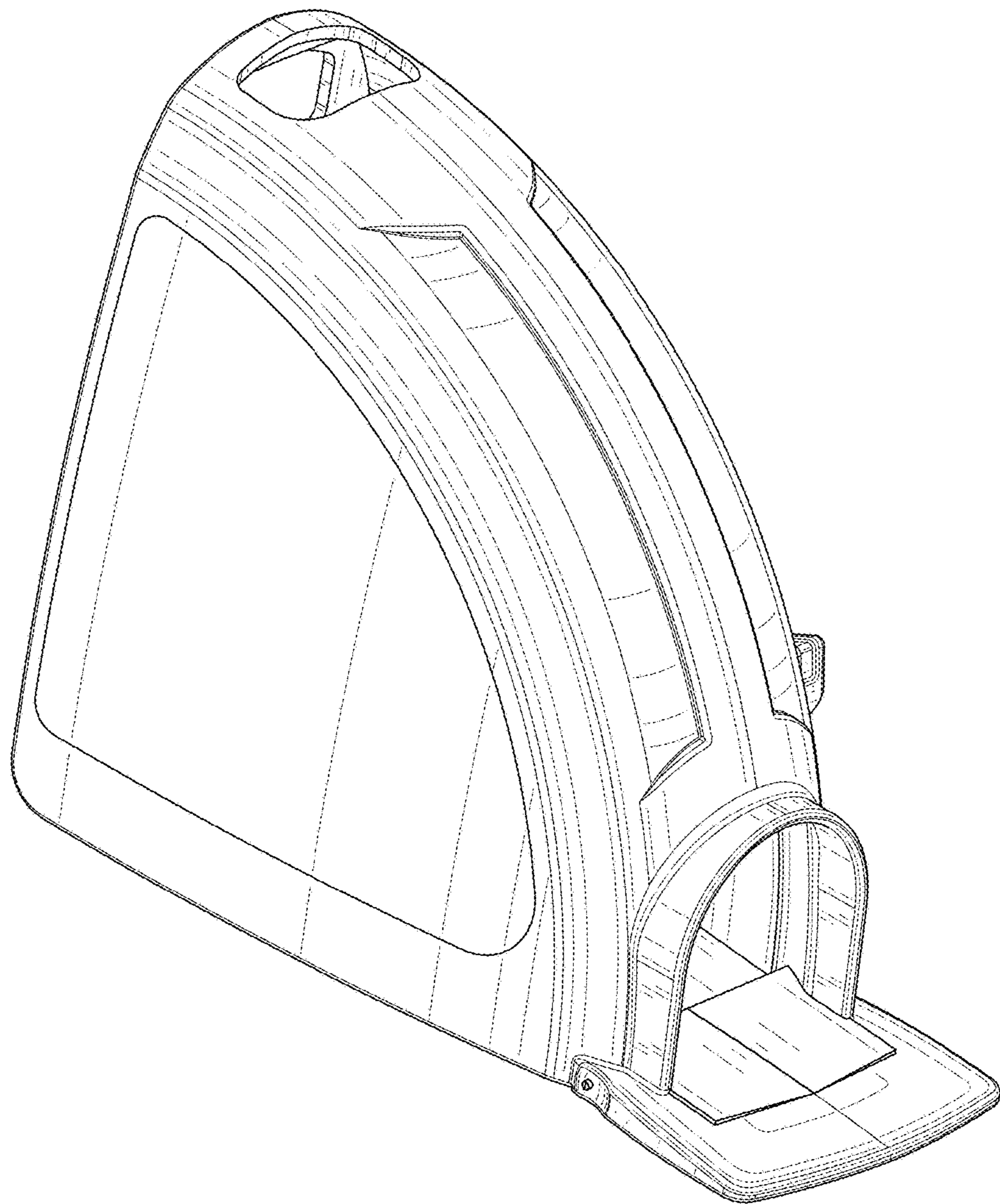


FIG. 62

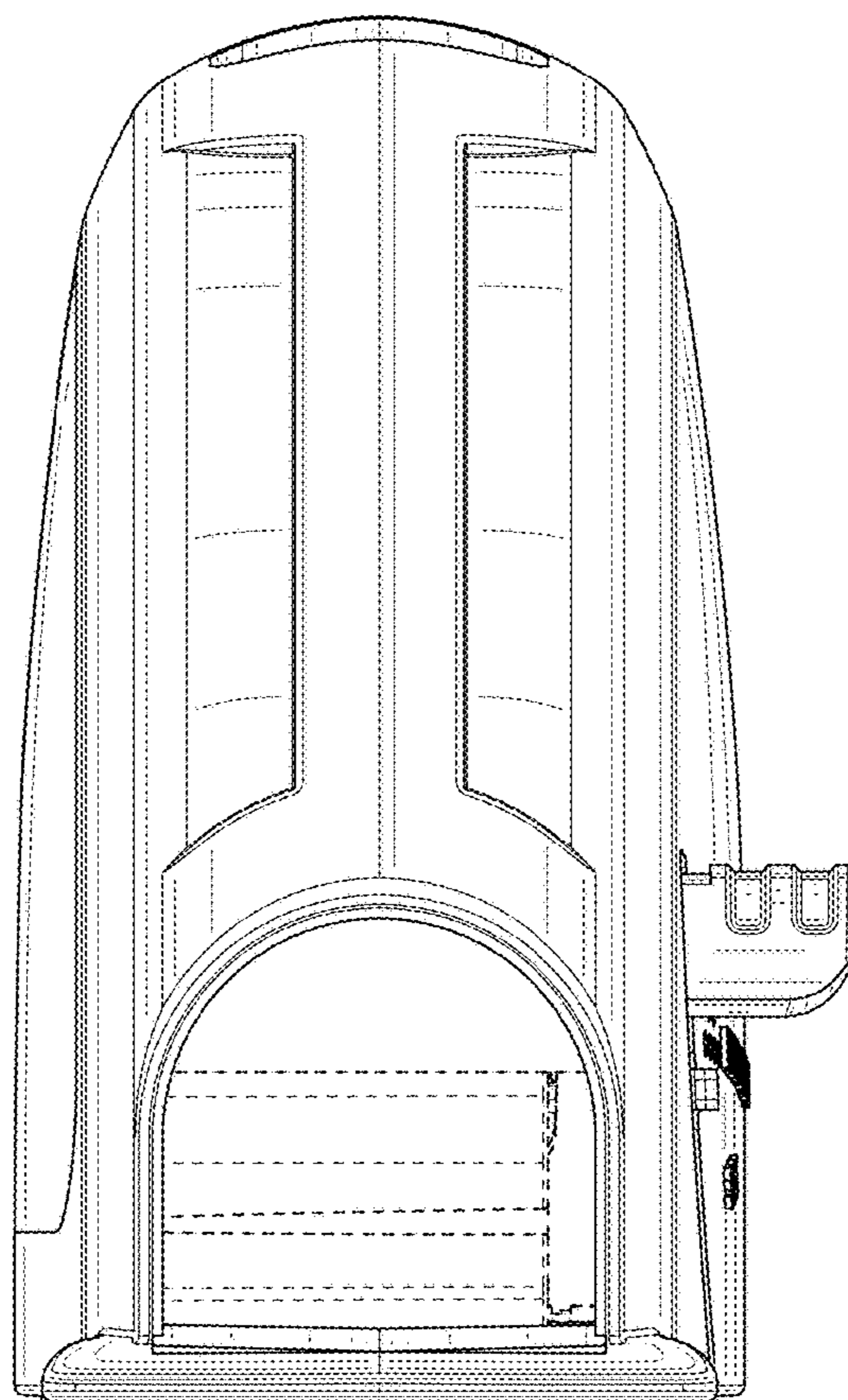


FIG. 63

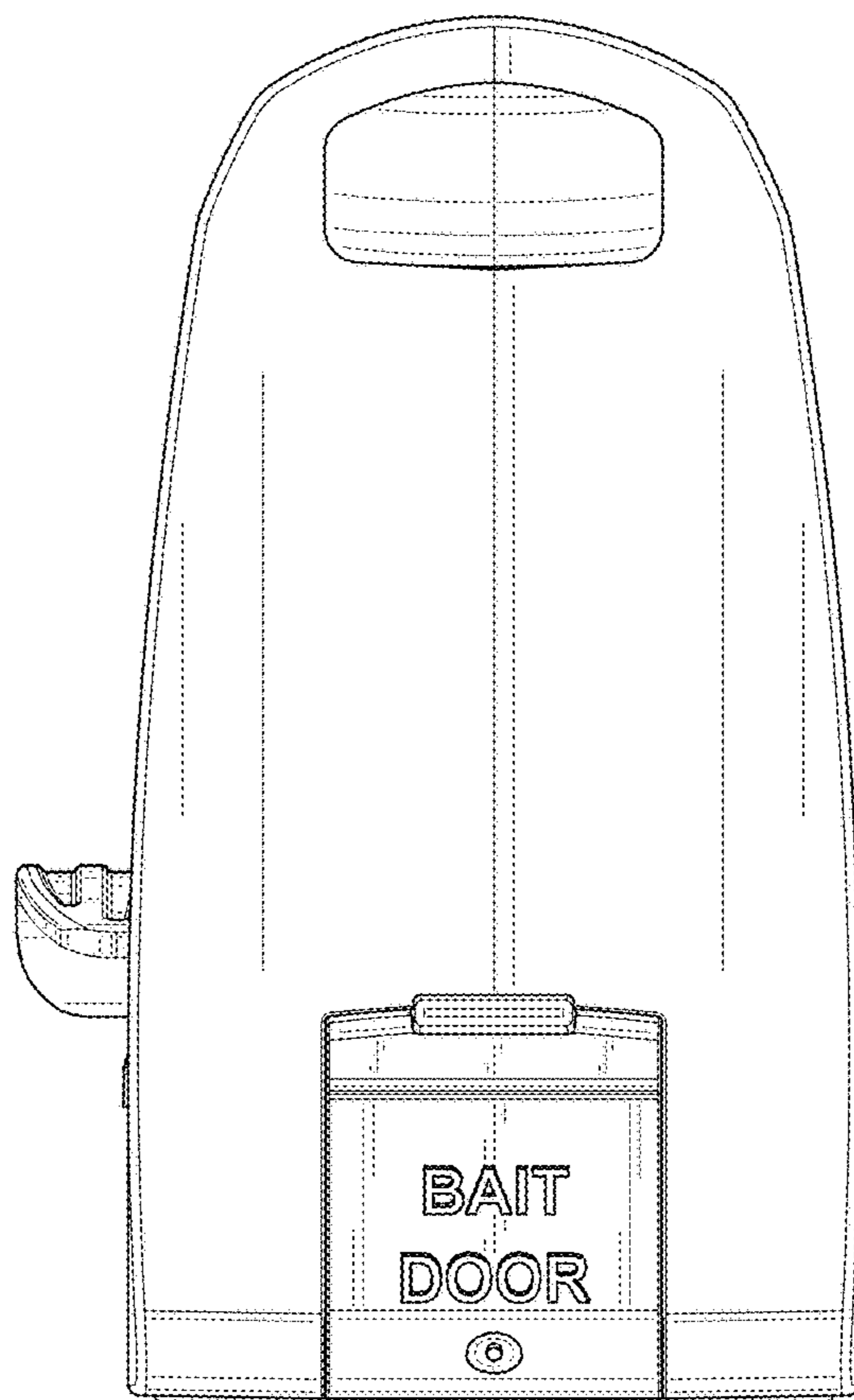


FIG. 64

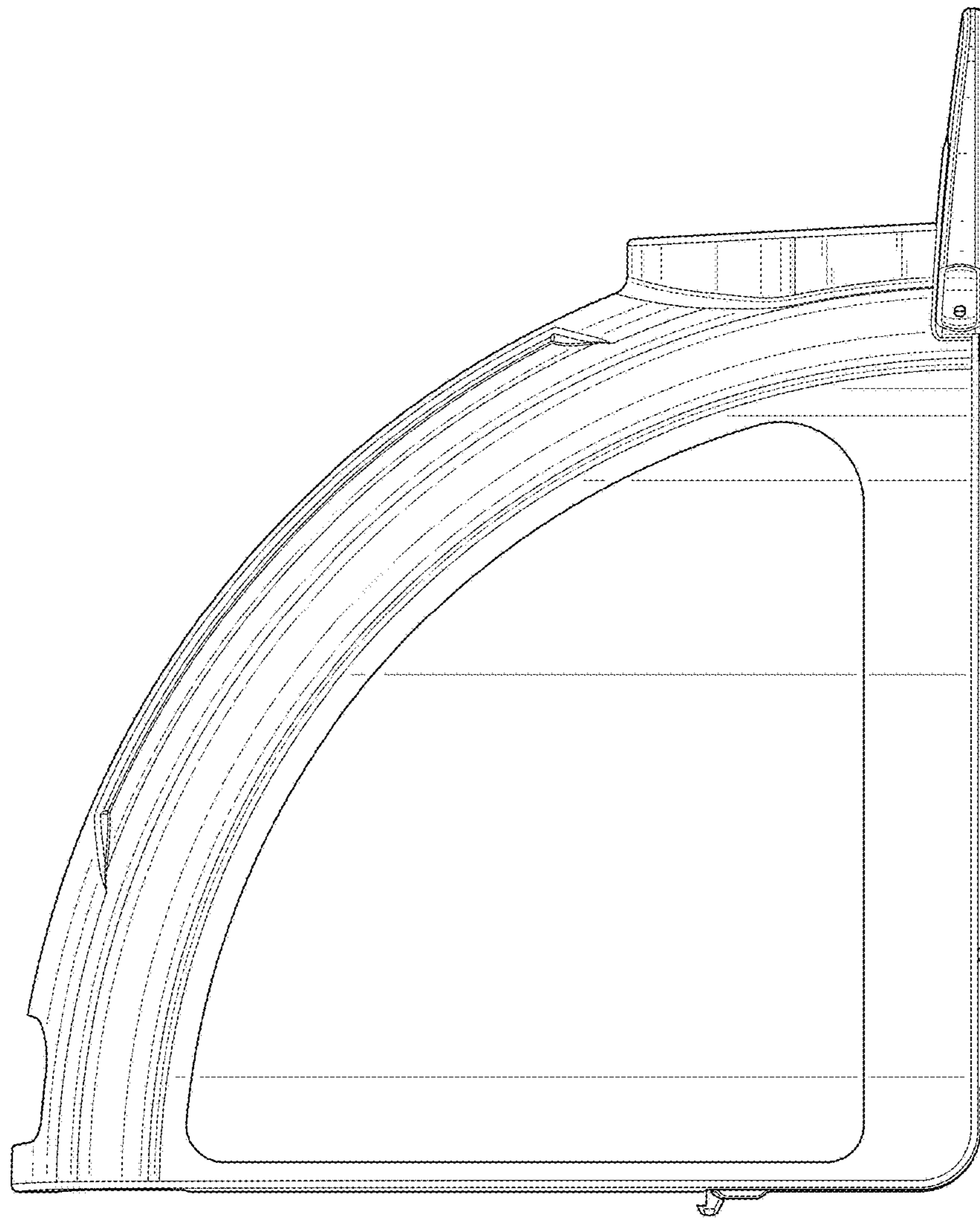


FIG. 65

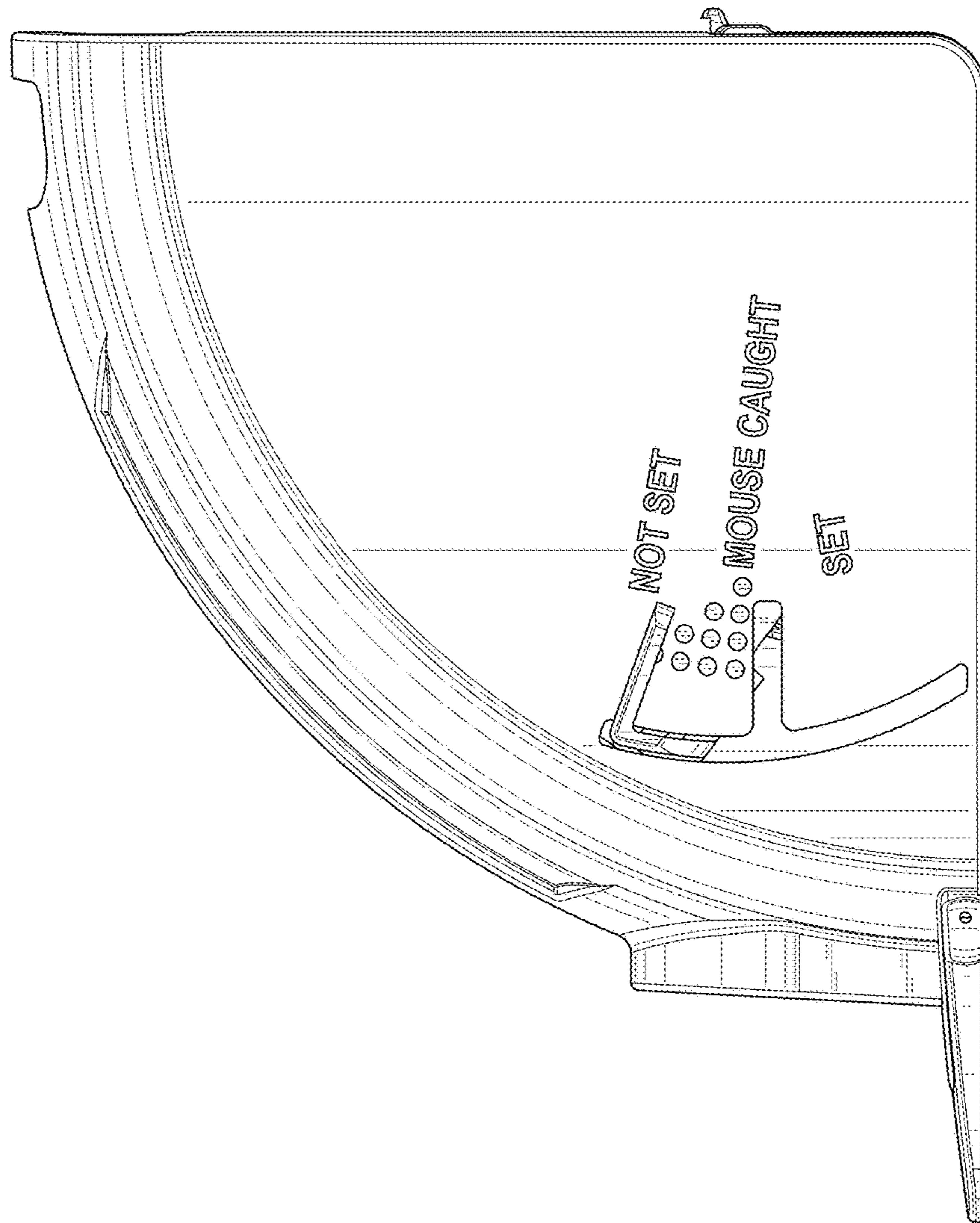


FIG. 66

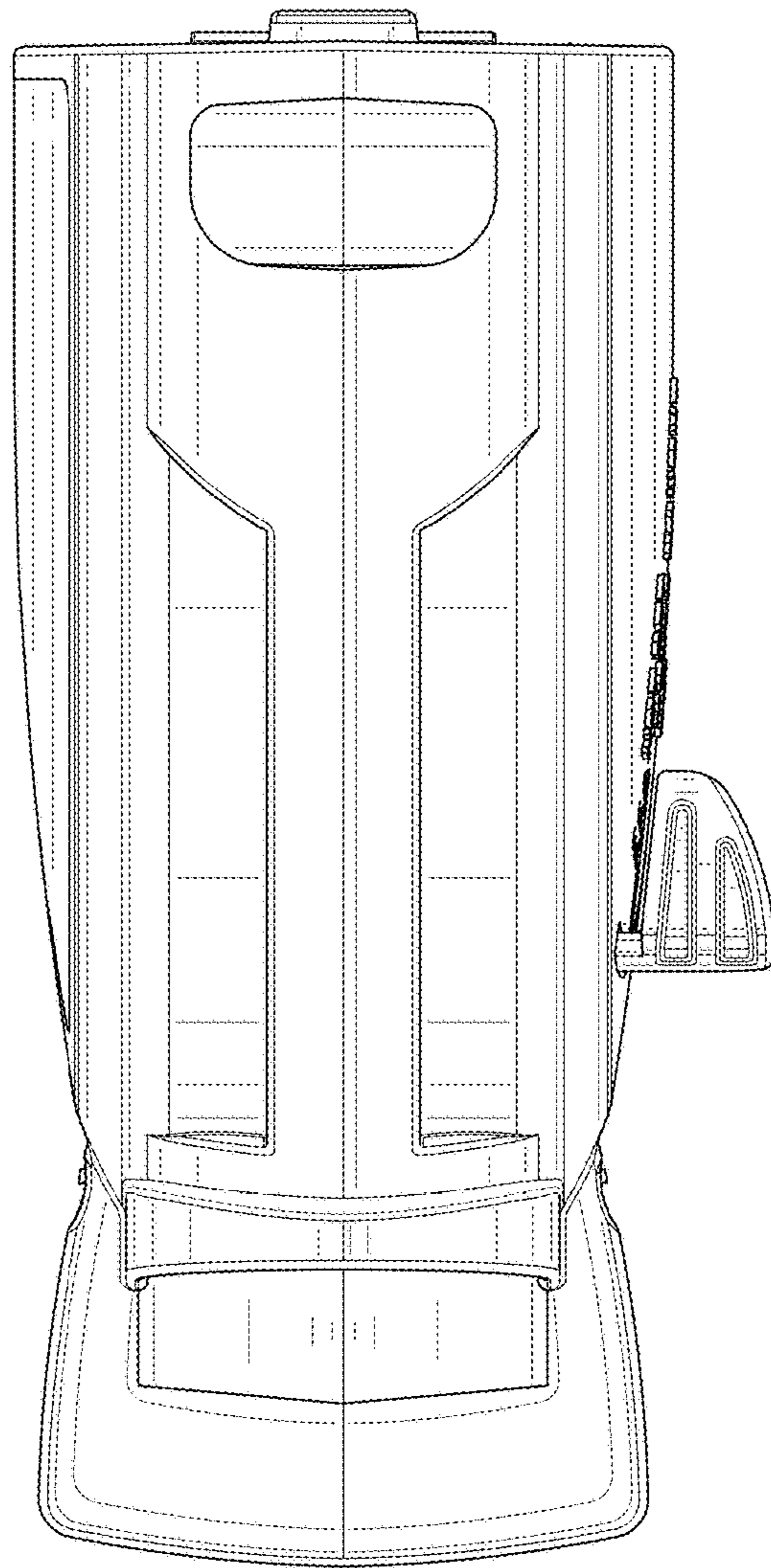


FIG. 67

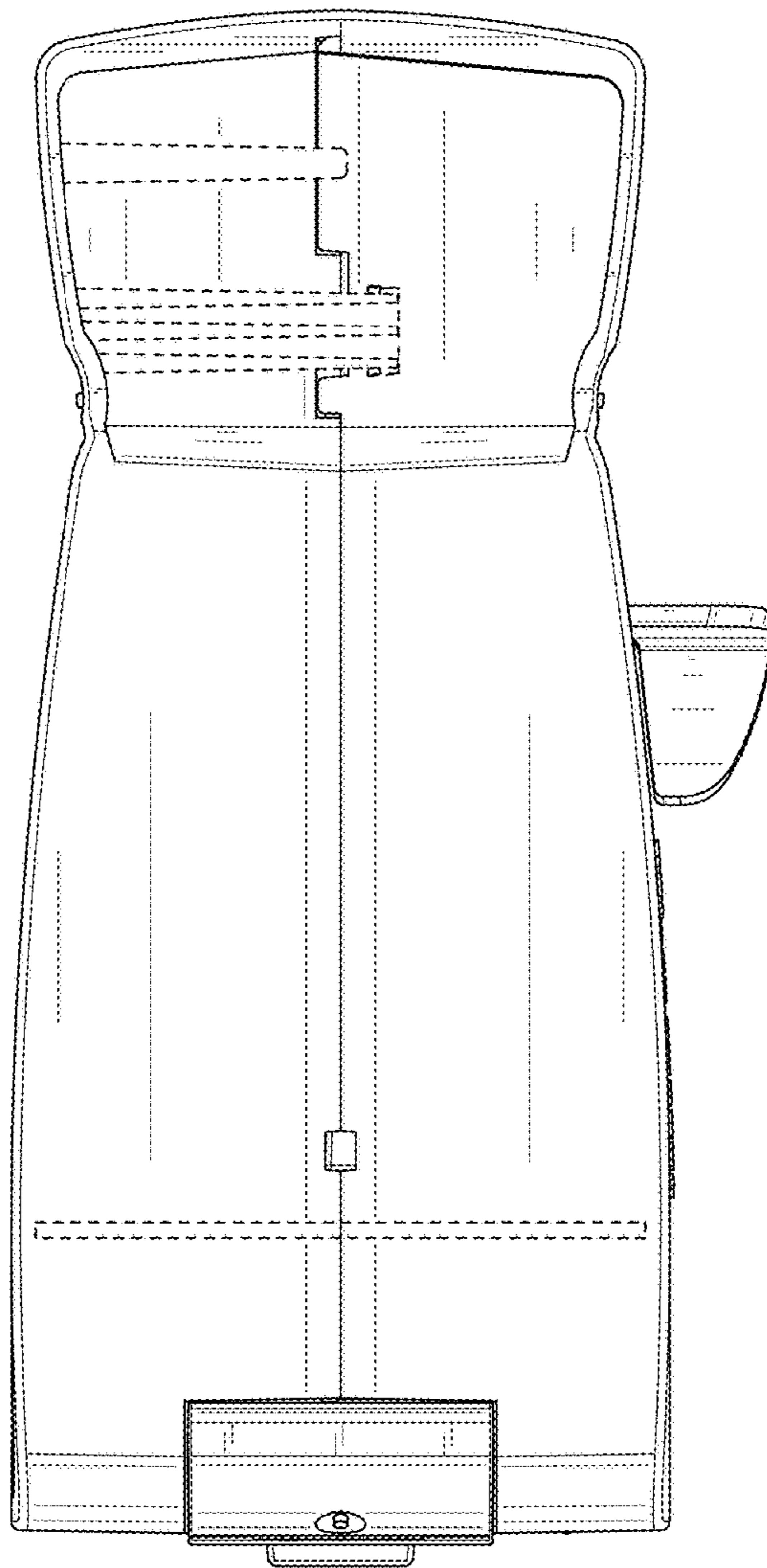


FIG. 68

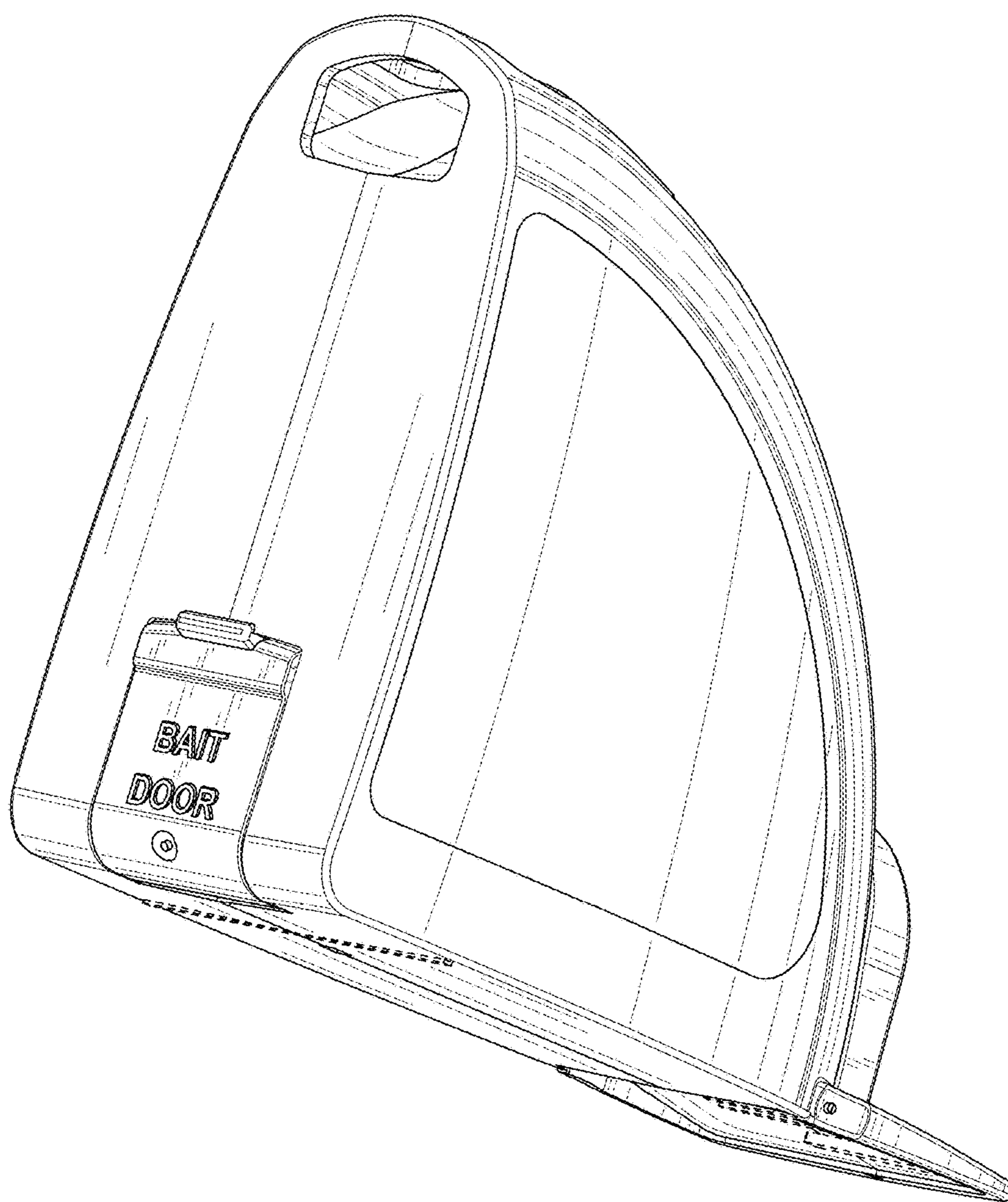


FIG. 69

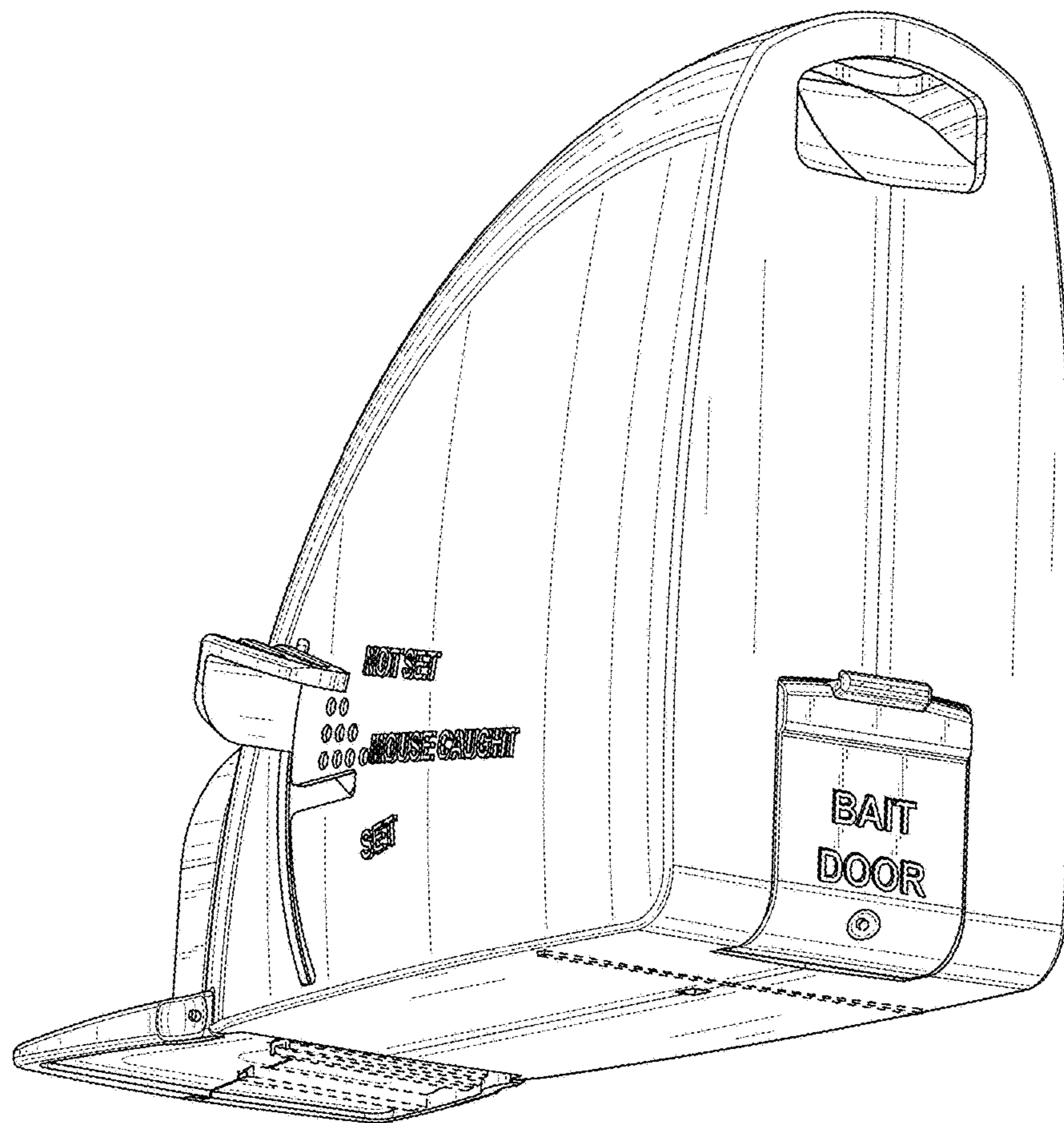


FIG. 70

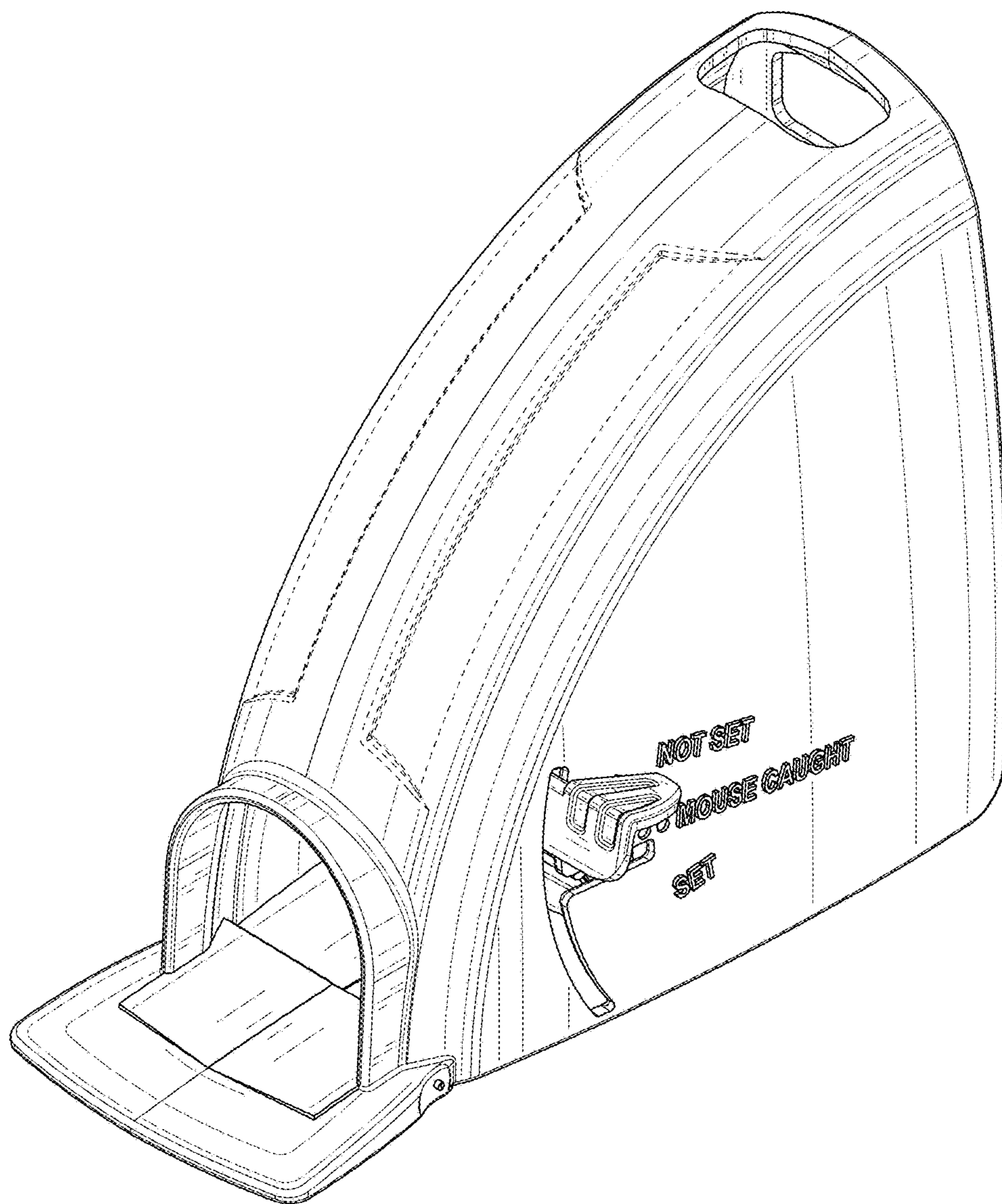


FIG. 71

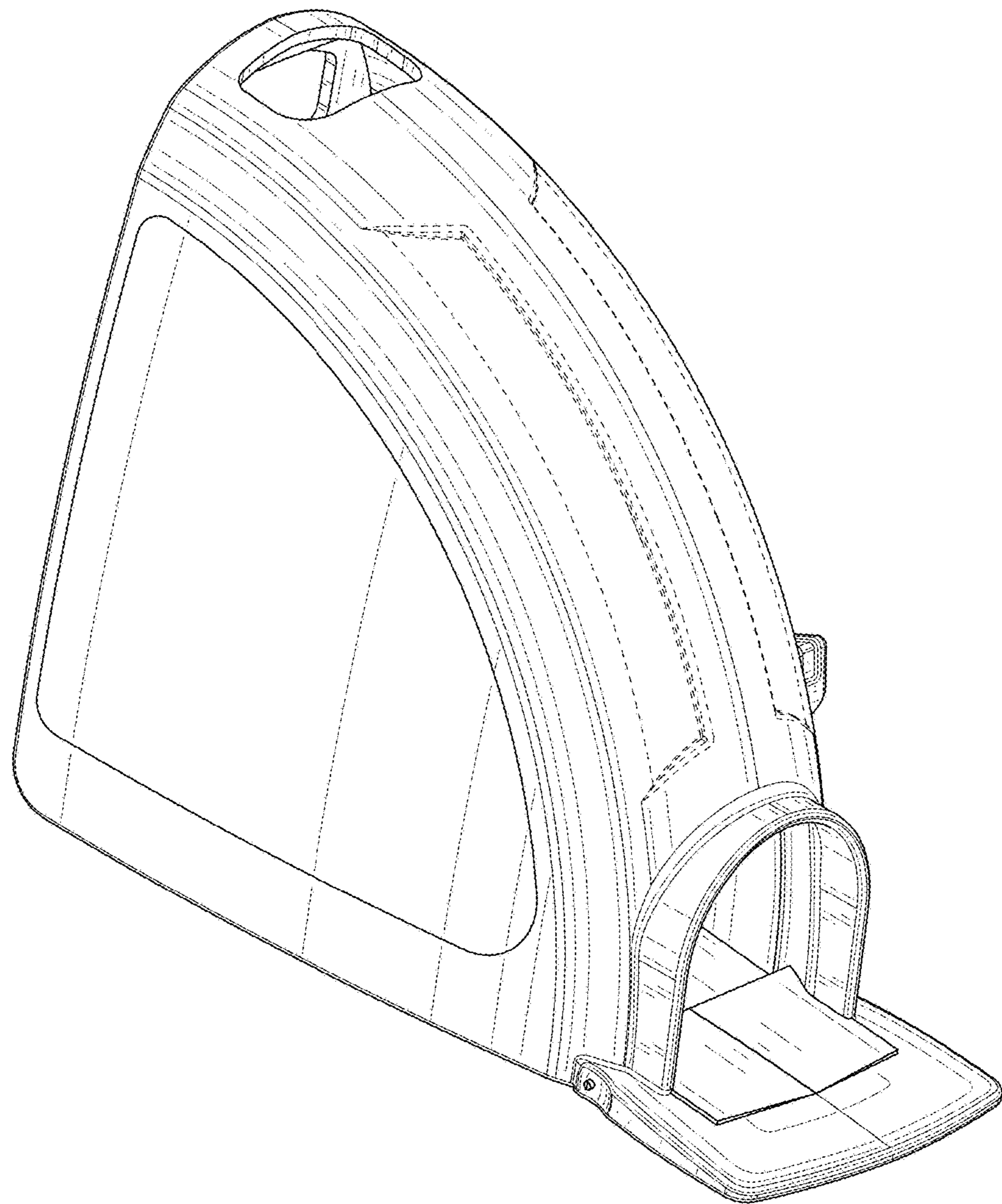


FIG. 72

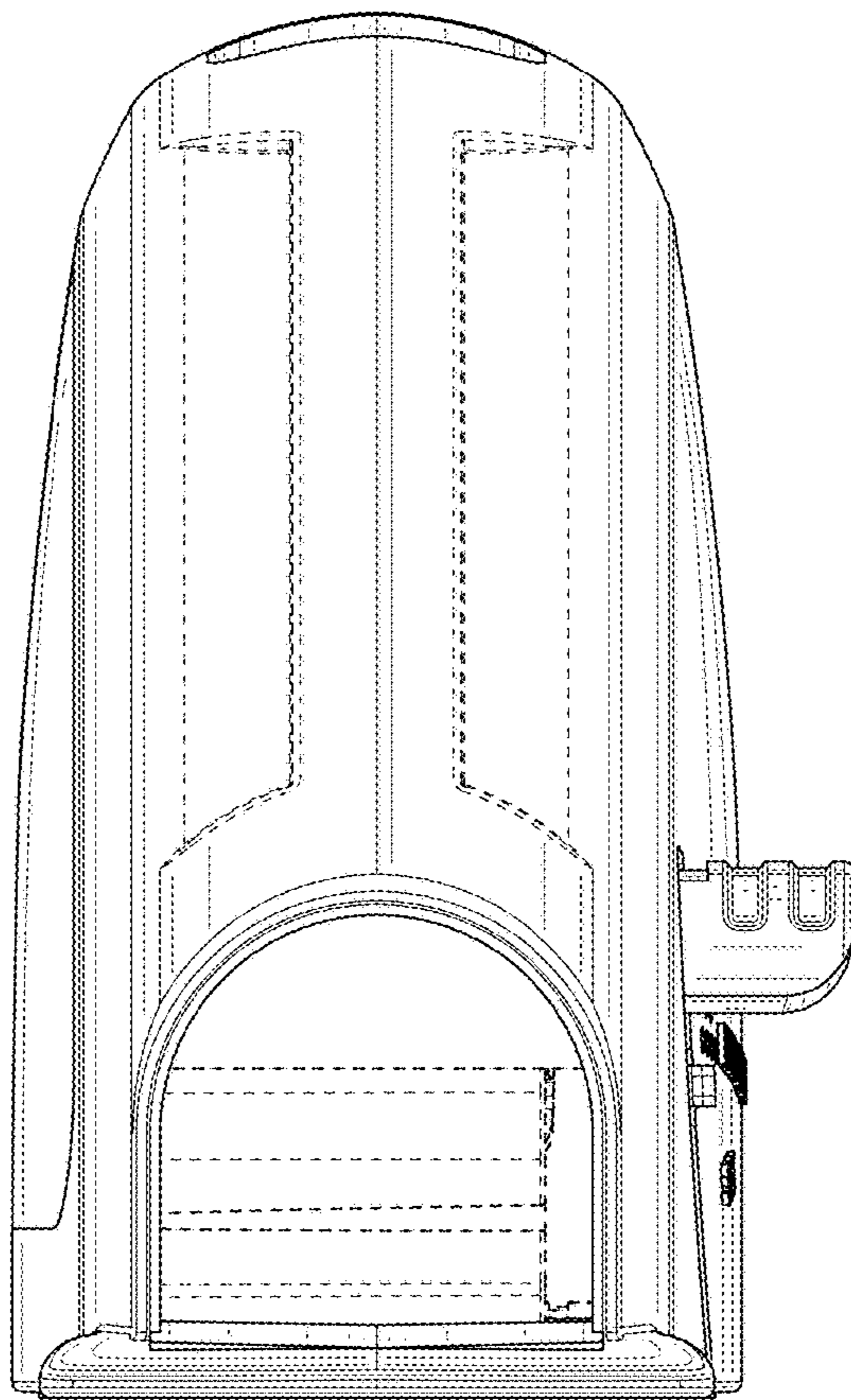


FIG. 73

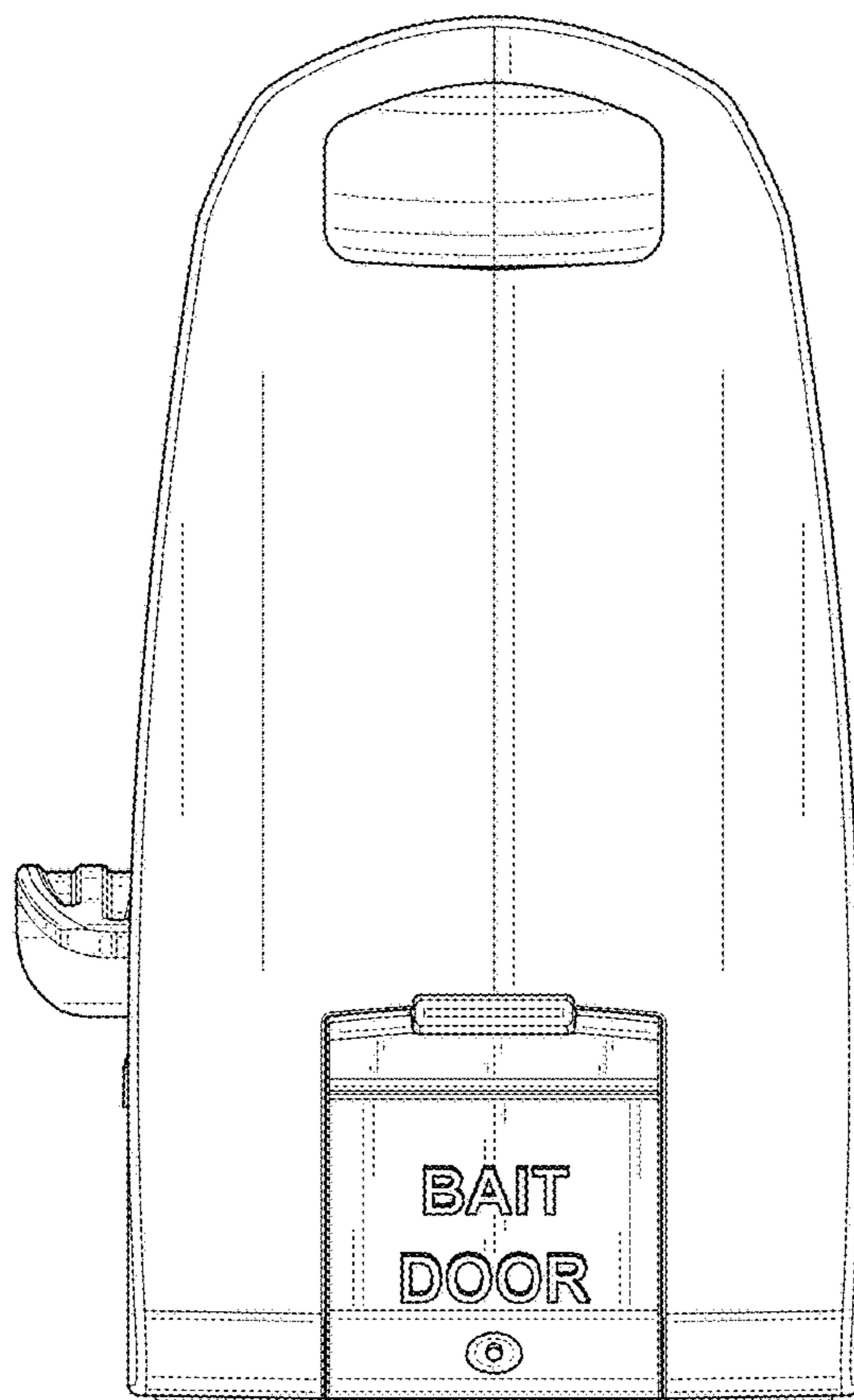


FIG. 74

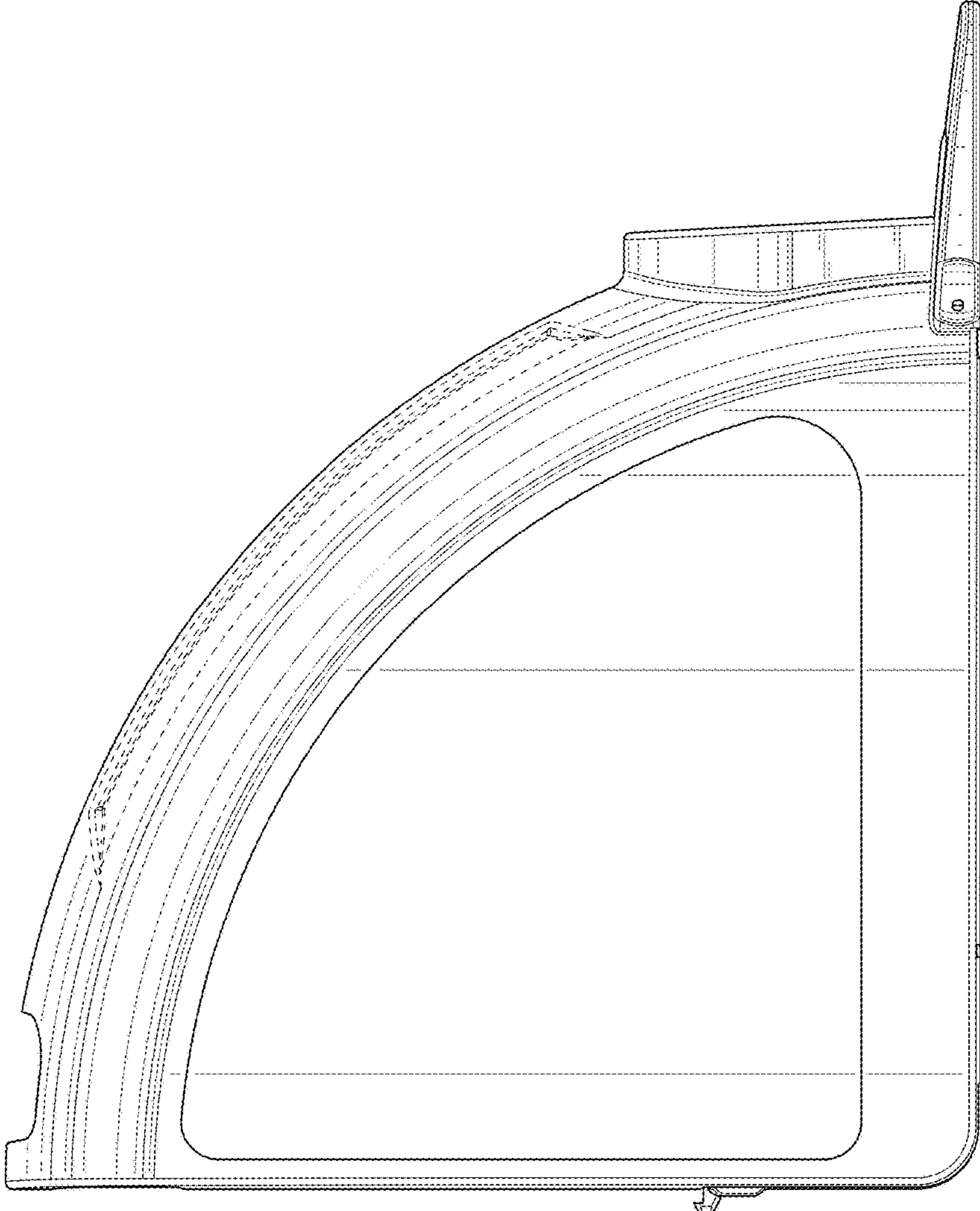


FIG. 75

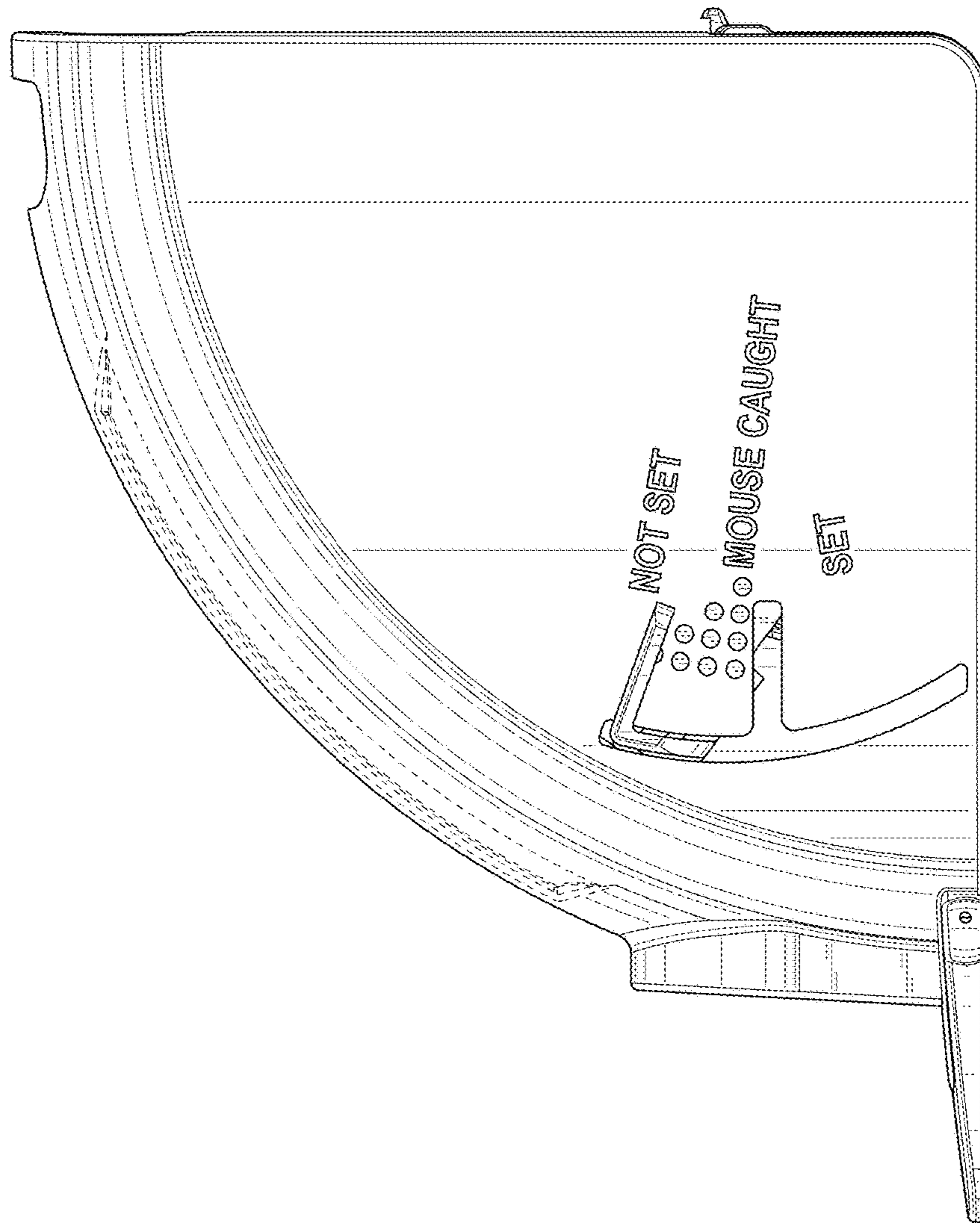


FIG. 76

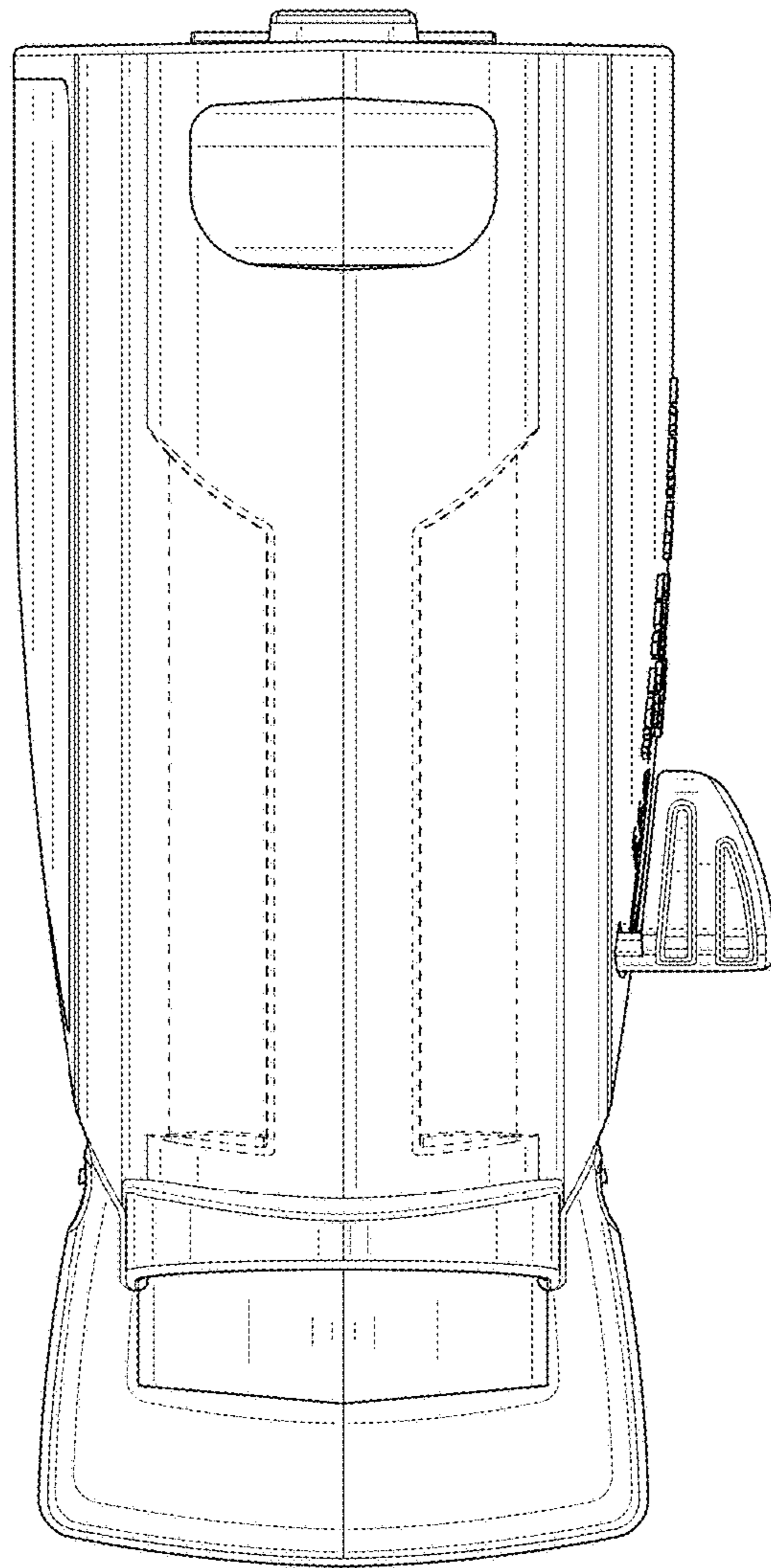


FIG. 77

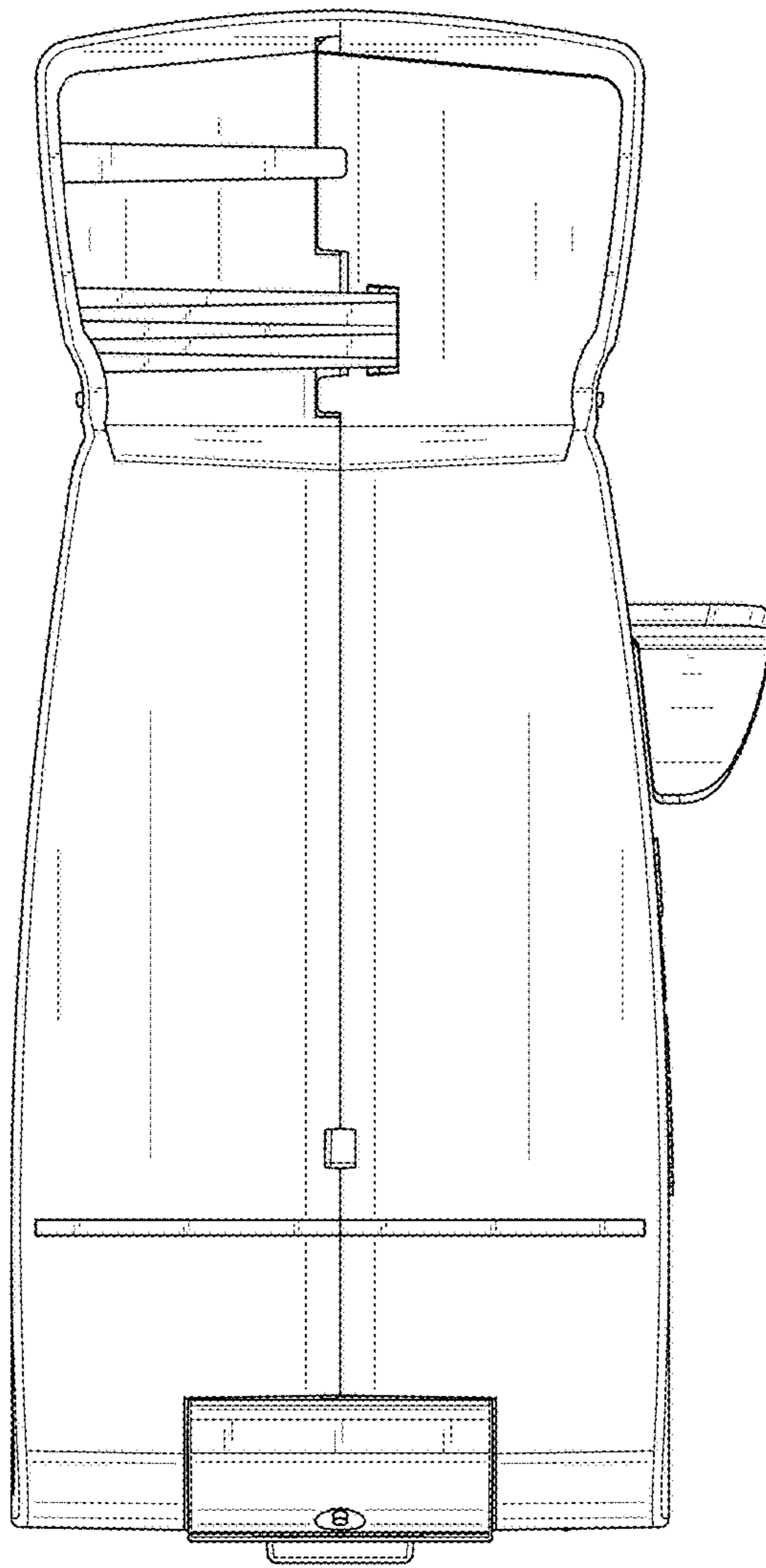


FIG. 78

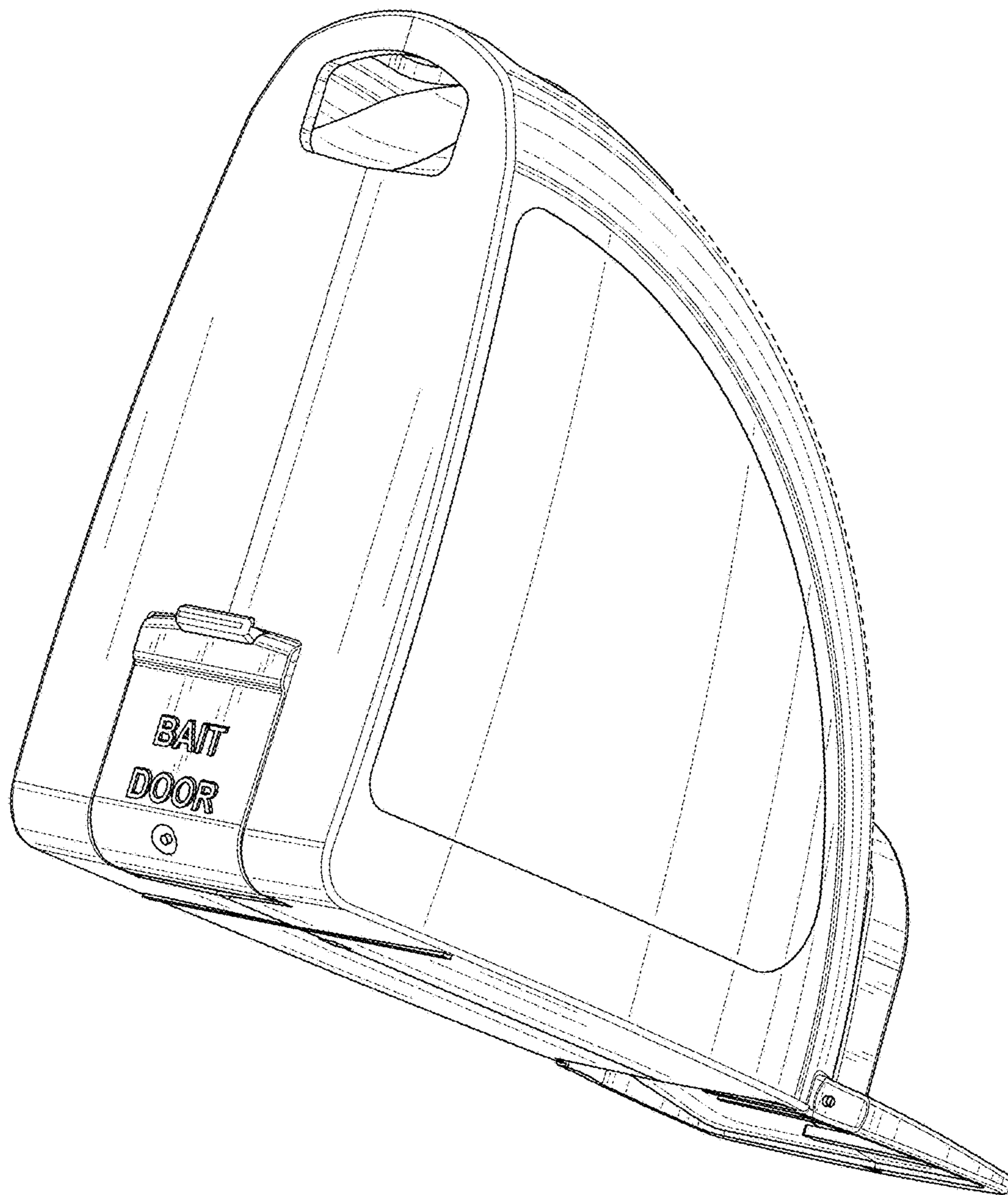


FIG. 79

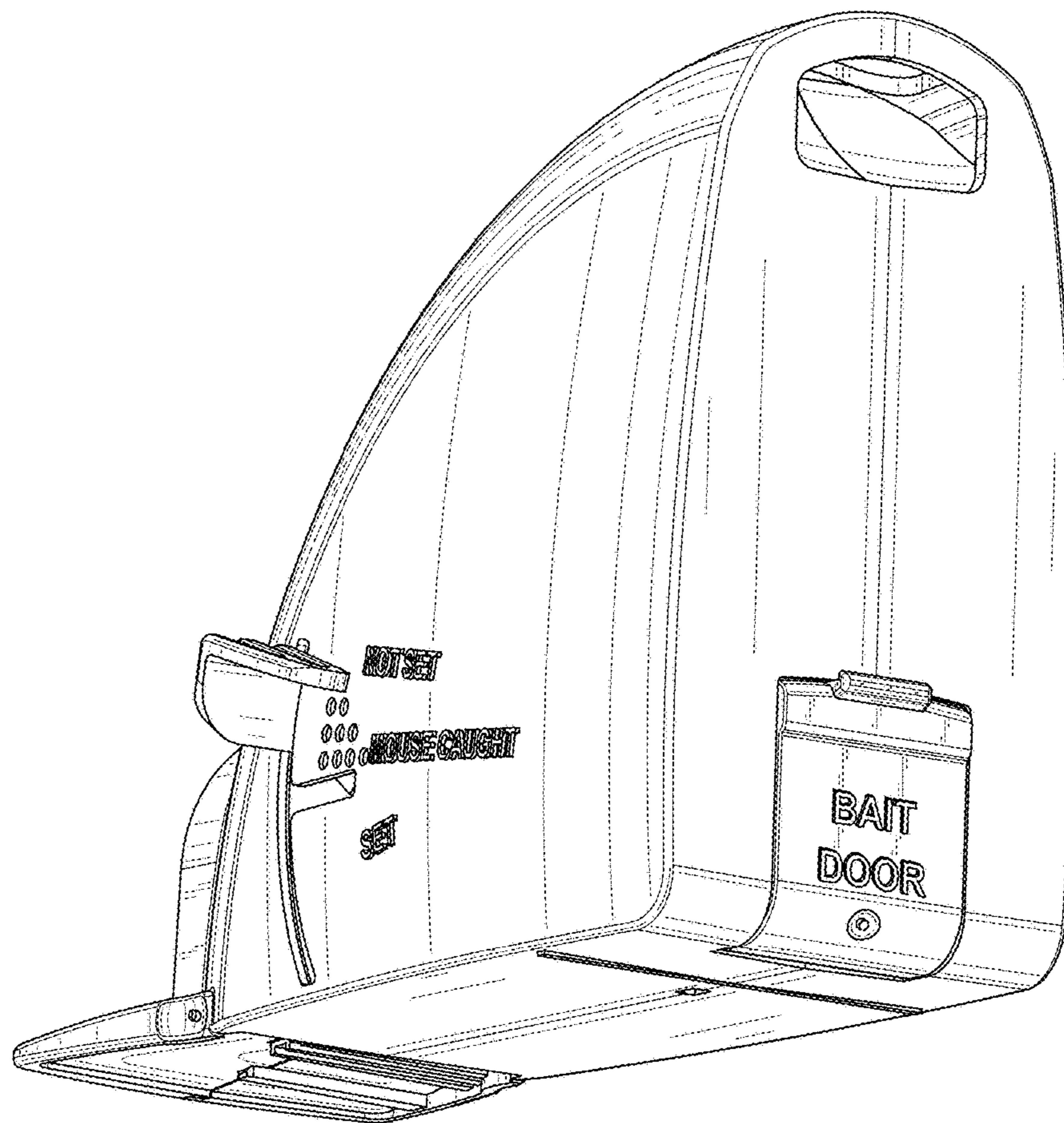


FIG. 80