

US00D847292S

(12) **United States Design Patent**  
**Hoff**

(10) **Patent No.:** **US D847,292 S**

(45) **Date of Patent:** **\*\* Apr. 30, 2019**

(54) **OPTICAL GUN SIGHT FOR A FIREARM**

(71) Applicant: **Schmeisser GmbH**, Krefeld (DE)

(72) Inventor: **Thomas Hoff**, Krefeld (DE)

(73) Assignee: **Schmeisser GmbH**, Krefeld (DE)

(\*\*) Term: **15 Years**

(21) Appl. No.: **29/610,880**

(22) Filed: **Jul. 17, 2017**

(51) **LOC (11) Cl.** ..... **22-01**

(52) **U.S. Cl.**  
USPC ..... **D22/109**

(58) **Field of Classification Search**  
USPC ..... D22/100–104, 105, 107, 108, 109, 110;  
D16/130–133, 134–136; 42/111, 122,  
42/130; D14/404; 33/241, 277, 362  
CPC ..... F41G 1/00; F41G 1/02; F41G 3/00; F41G  
3/08; F41G 1/12; F41G 3/02  
See application file for complete search history.

(56) **References Cited**

**U.S. PATENT DOCUMENTS**

7,634,866	B2 *	12/2009	Javorsky	.....	F41G 1/345 42/111
8,087,196	B2 *	1/2012	Jung	.....	F41G 1/30 42/113
8,215,050	B2 *	7/2012	Elpedes	.....	F41G 1/14 42/123
8,443,541	B2 *	5/2013	Elpedes	.....	F41G 1/14 42/113
9,328,993	B1 *	5/2016	Heacock	.....	F41G 1/02
9,557,141	B2 *	1/2017	Capson	.....	F41G 1/345
9,593,906	B1 *	3/2017	Oz	.....	F41G 1/30
RE46,487	E *	7/2017	Jung	.....	F41G 1/30

D792,544	S *	7/2017	Hartley	.....	D22/108
D812,180	S *	3/2018	Anderson	.....	D22/109
D812,182	S *	3/2018	Ramasubramanian	.....	D22/109
D812,707	S *	3/2018	Planck	.....	D22/109
2007/0130817	A1 *	6/2007	Ballard	.....	F41G 1/01 42/118
2010/0083554	A1 *	4/2010	Elpedes	.....	F41G 1/14 42/123
2011/0035984	A1 *	2/2011	Liu	.....	F41C 27/00 42/111
2011/0219659	A1 *	9/2011	Elpedes	.....	F41G 1/14 42/122
2012/0151816	A1 *	6/2012	Kleck	.....	F41G 1/30 42/132

\* cited by examiner

*Primary Examiner* — Rosemary K Tarcza

*Assistant Examiner* — Yolanda Robinson

(74) *Attorney, Agent, or Firm* — Taylor IP, P.C.

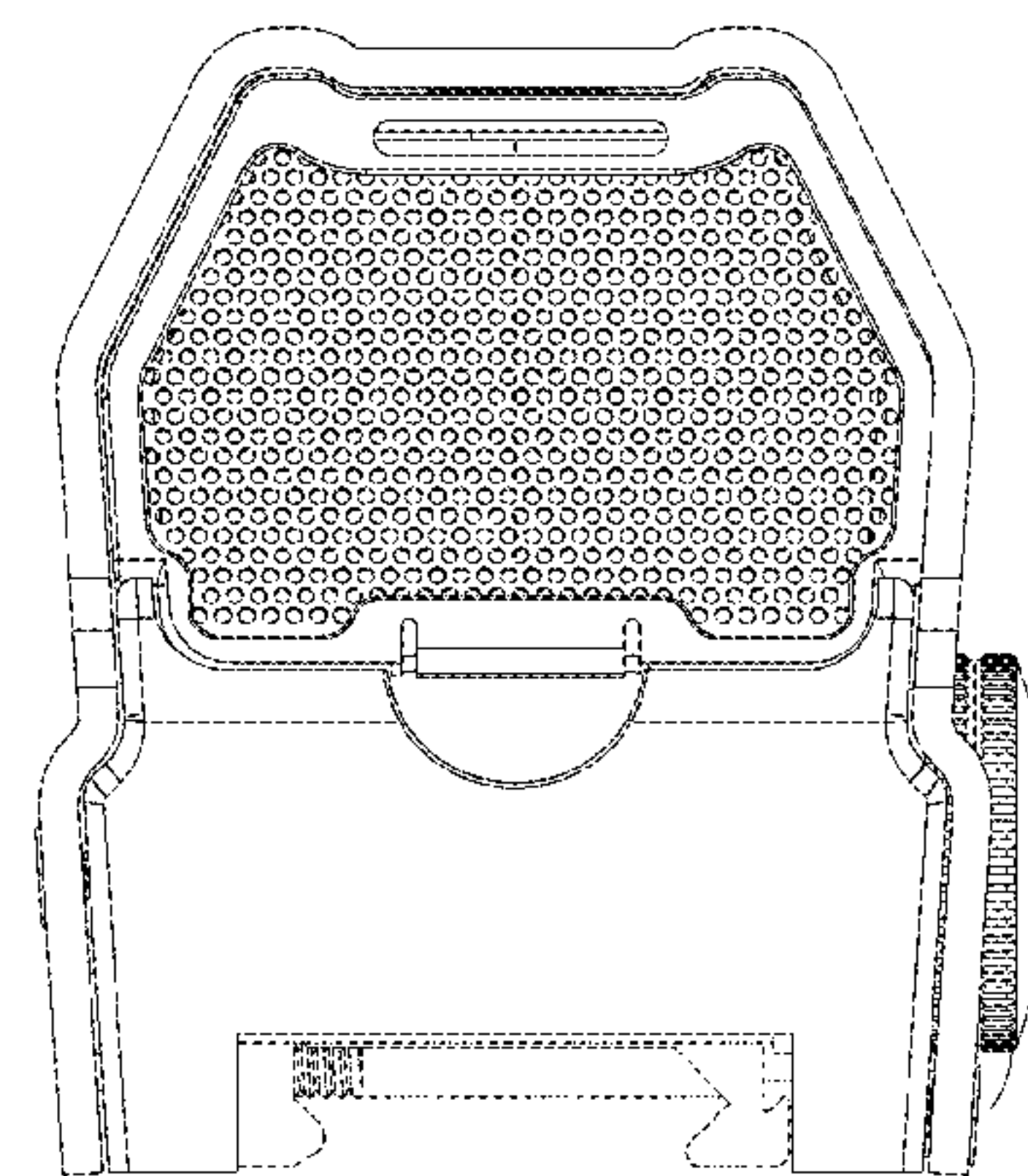
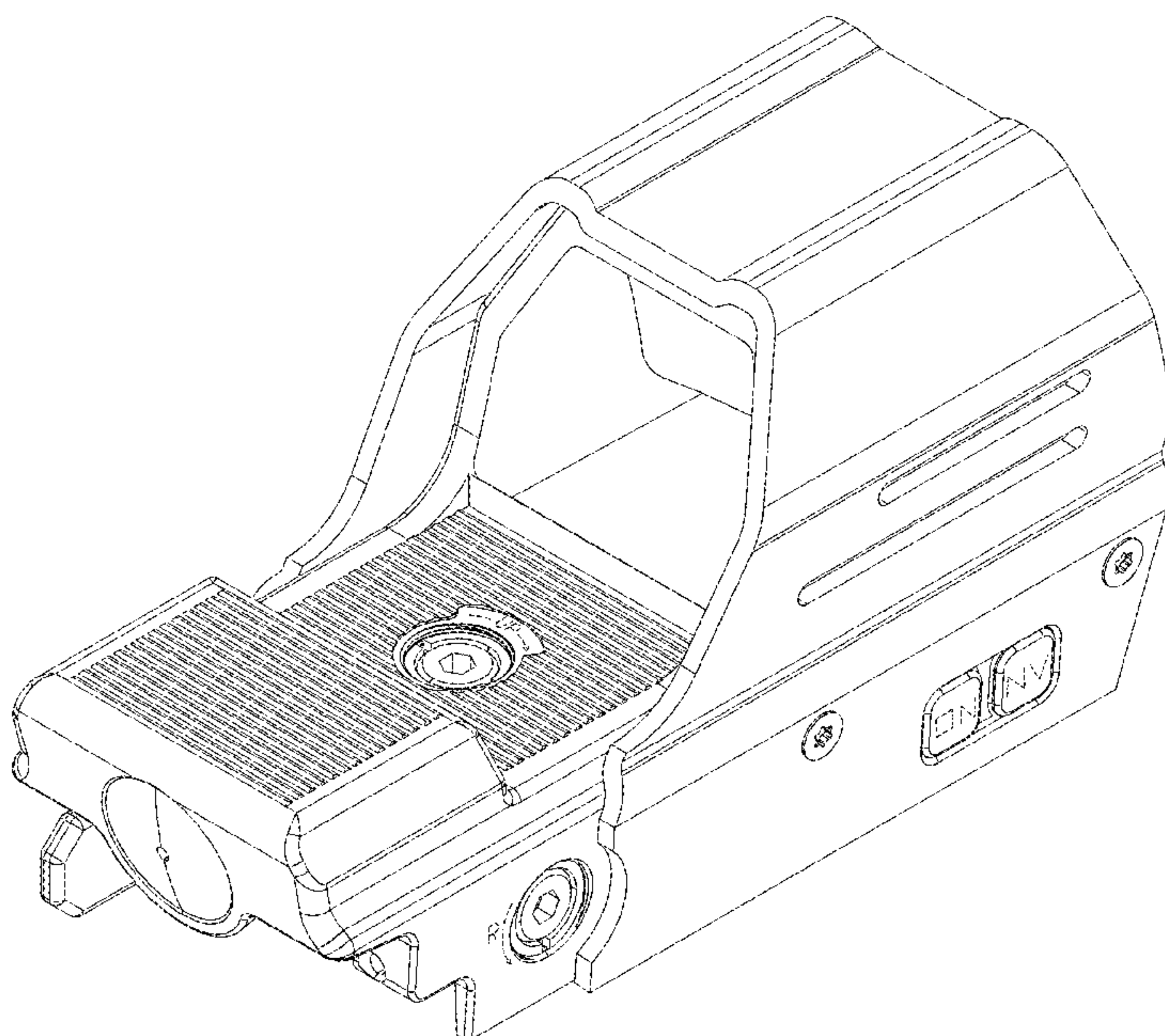
(57) **CLAIM**

The ornamental design for an optical gun sight for a firearm, as shown and described.

**DESCRIPTION**

FIG. 1 is a perspective view of an optical gun sight for a firearm showing my new design;  
FIG. 2 is a side view thereof;  
FIG. 3 is a front view thereof;  
FIG. 4 is a rear view thereof;  
FIG. 5 is an opposite side view thereof;  
FIG. 6 is a top view thereof; and,  
FIG. 7 is a bottom view thereof.  
The broken lines shown in the optical gun sight for a firearm are for the purpose of illustrating environment and form no part of the claimed design.

**1 Claim, 7 Drawing Sheets**



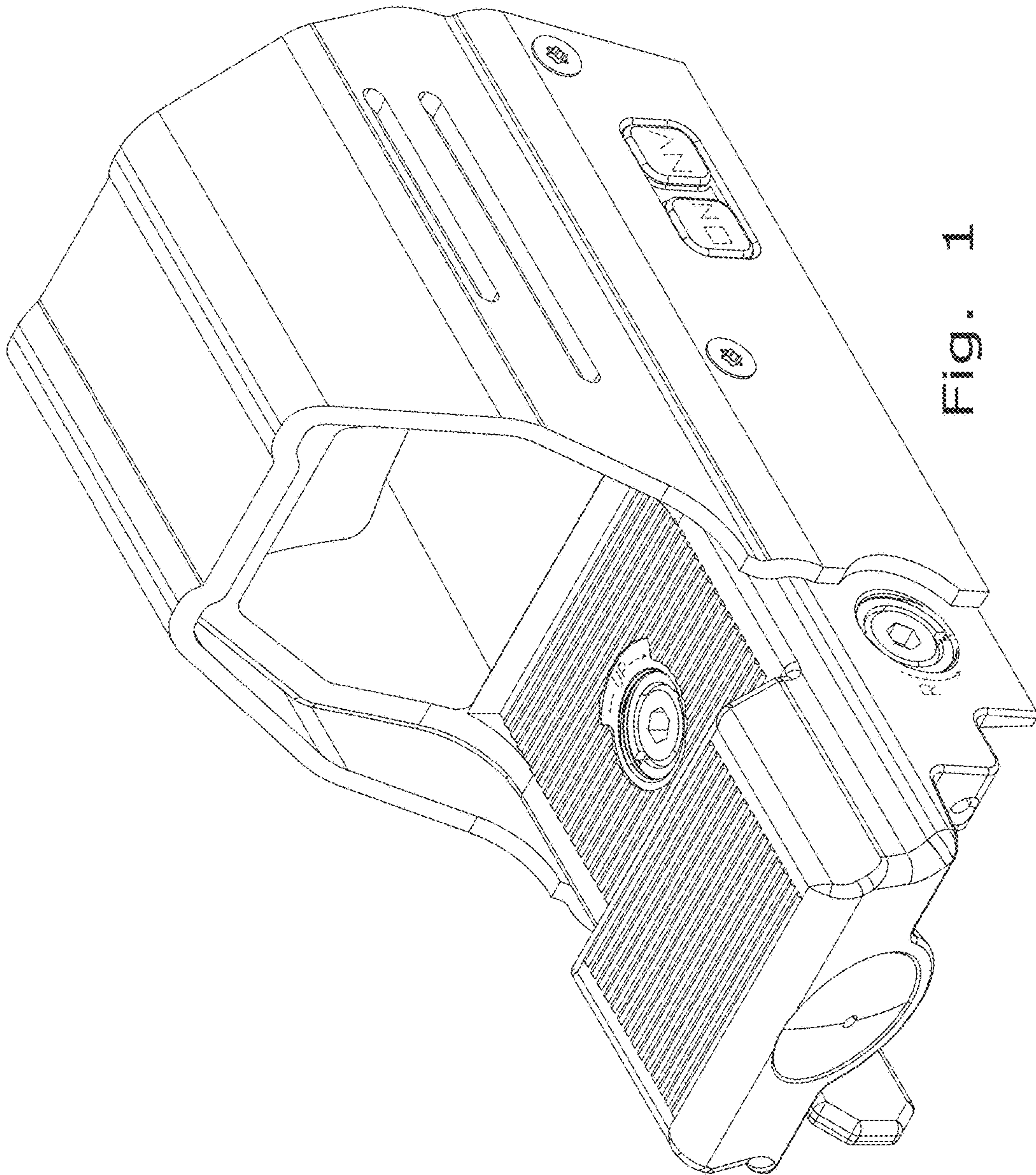


Fig. 1



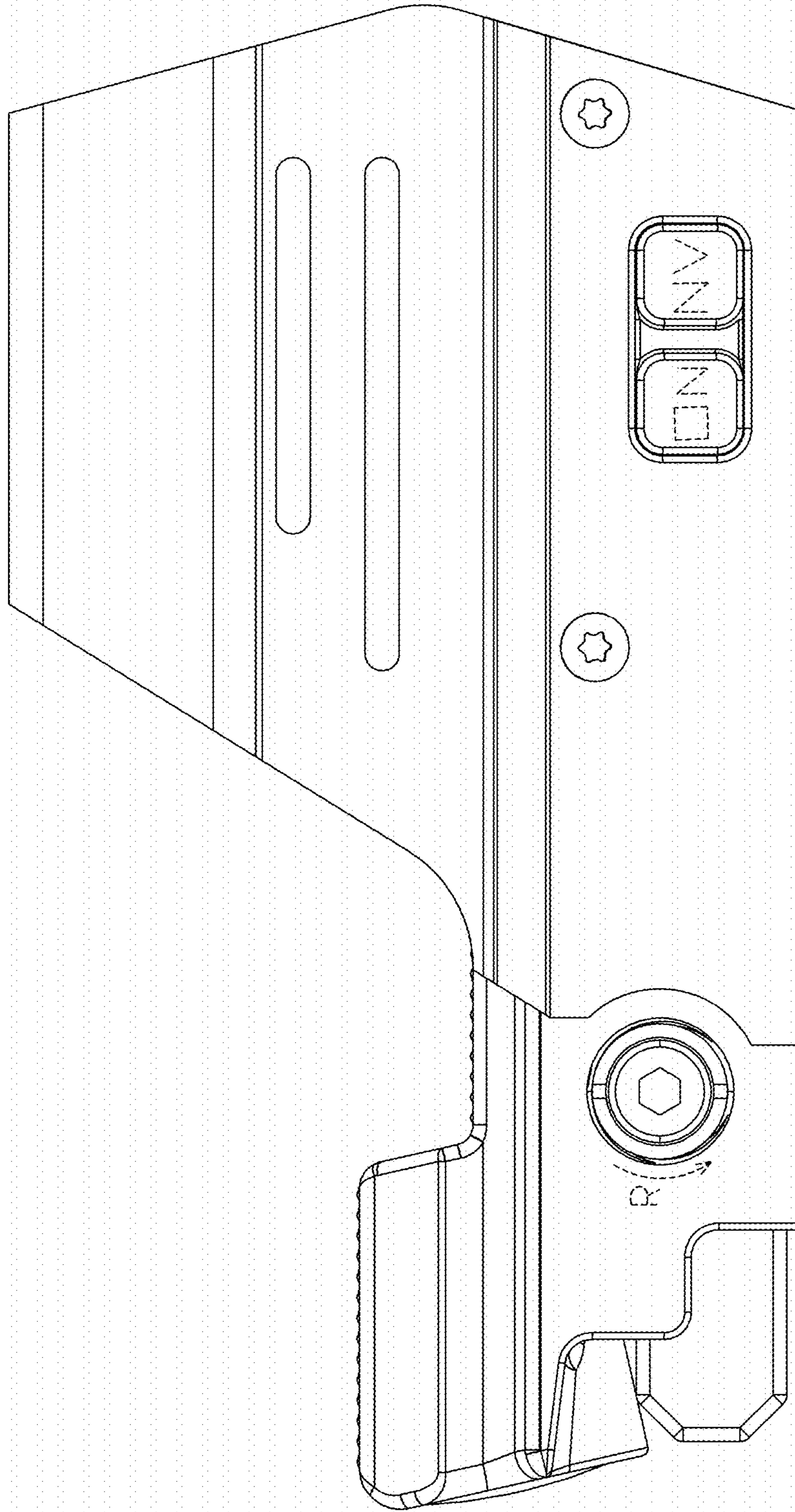


Fig. 2

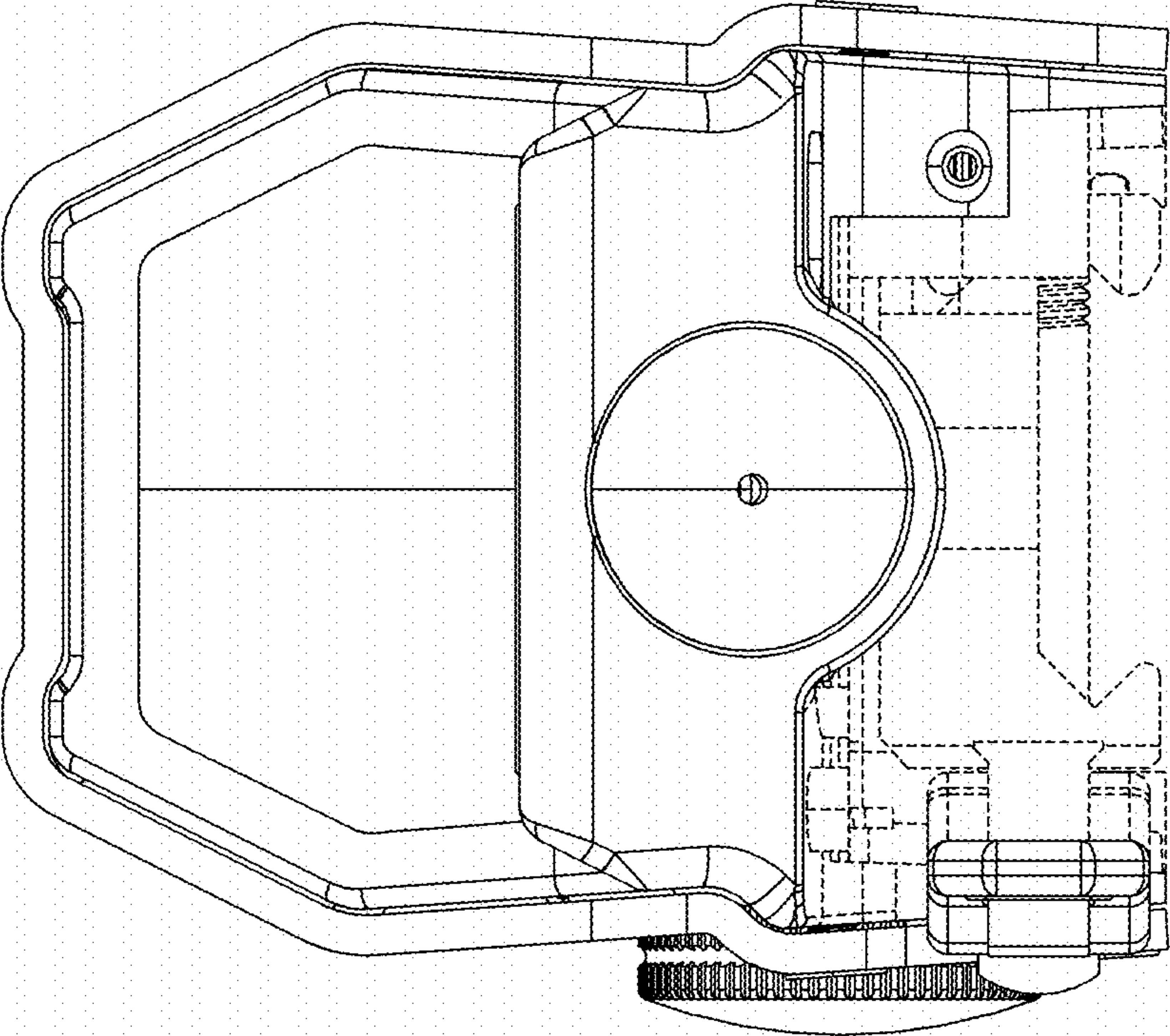


Fig. 3

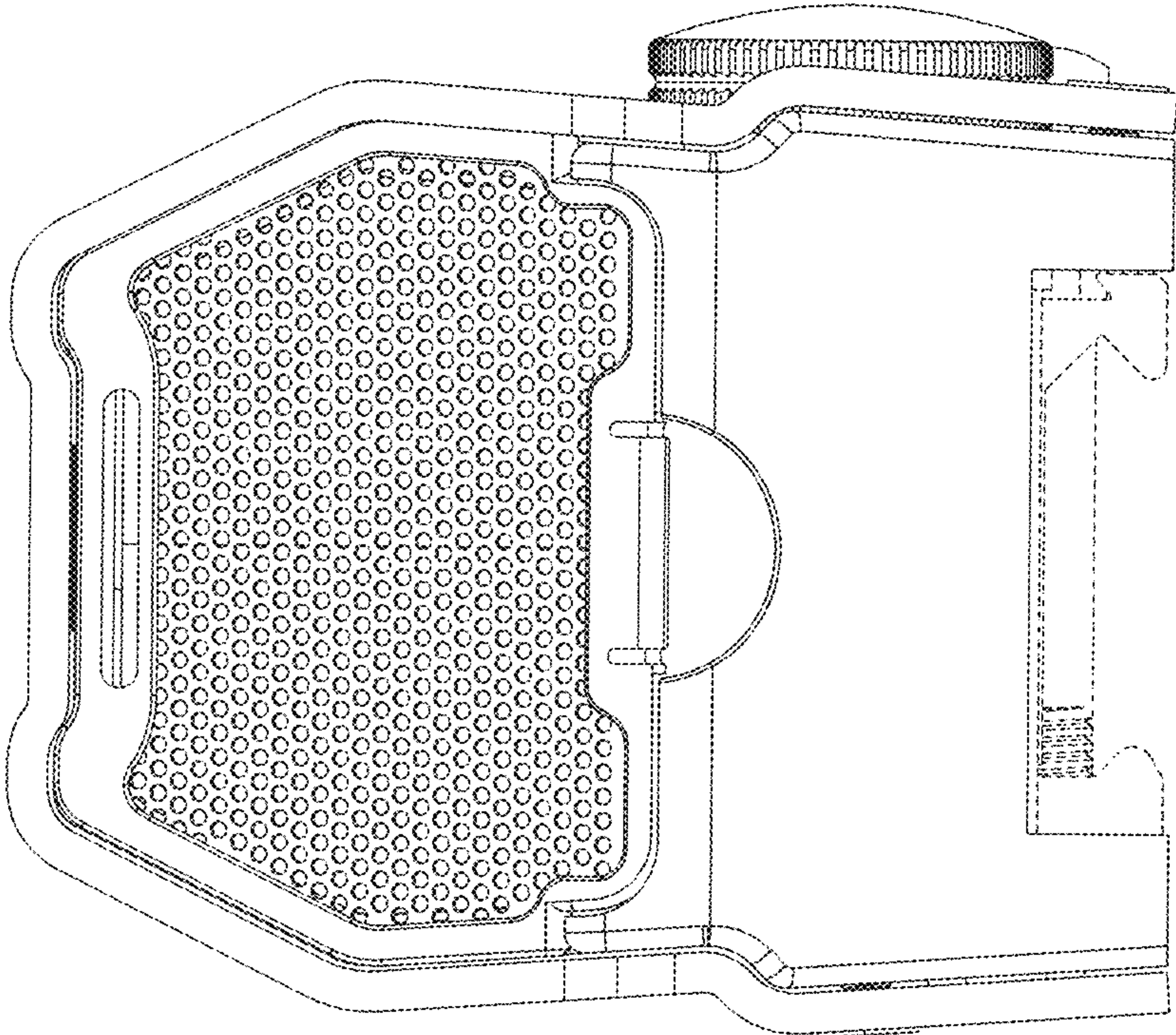


Fig. 4



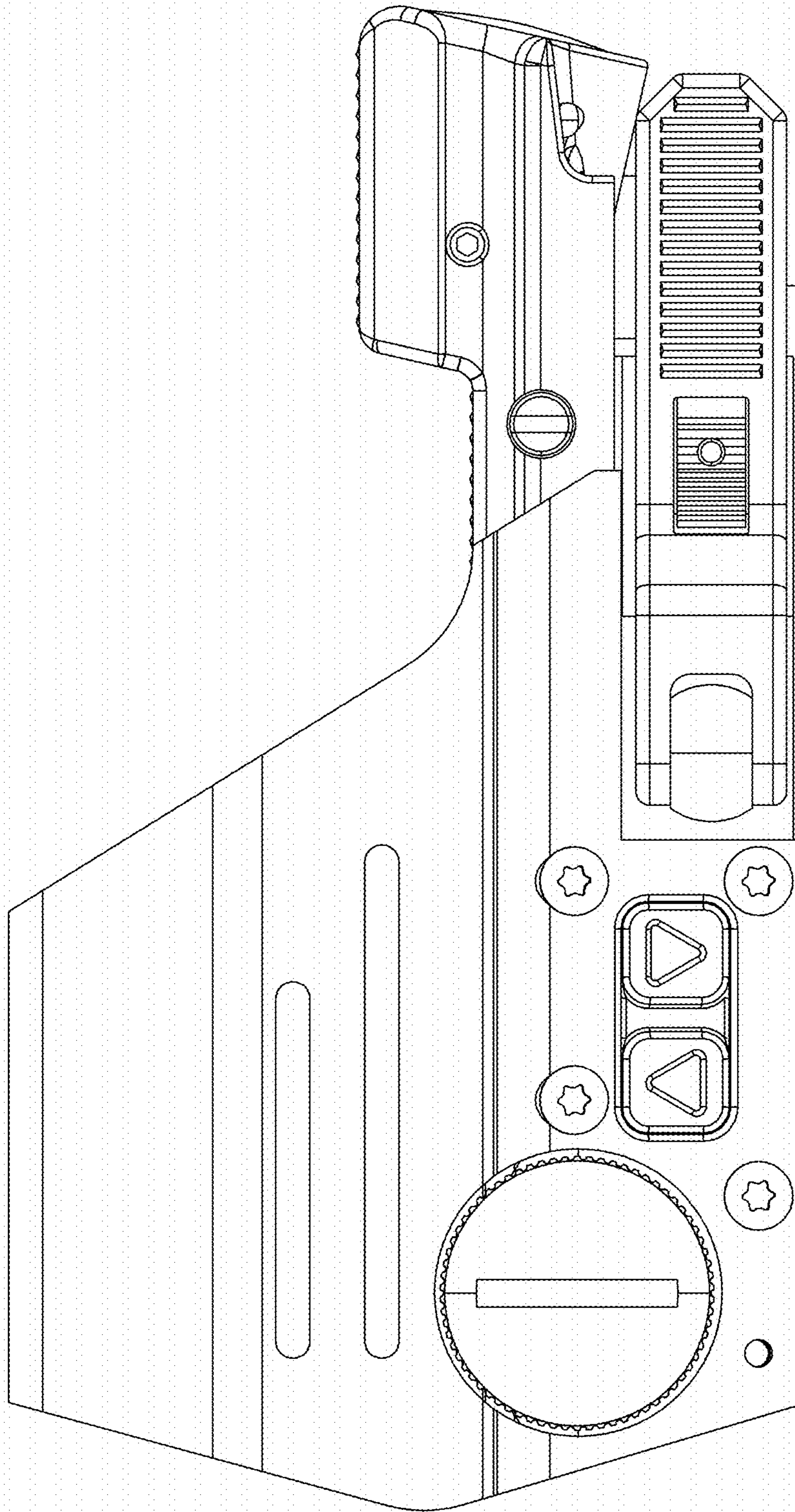


Fig. 5

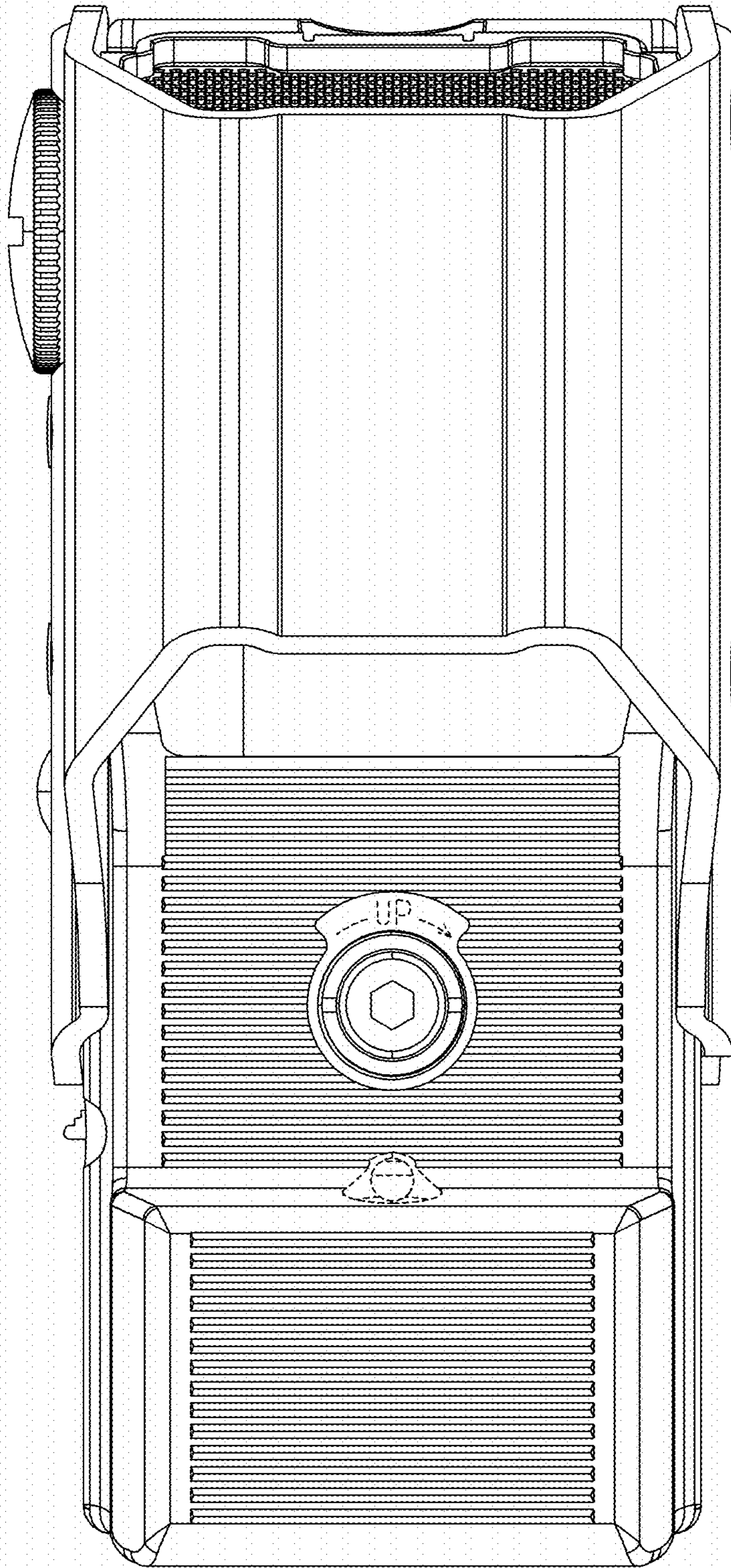


Fig. 6



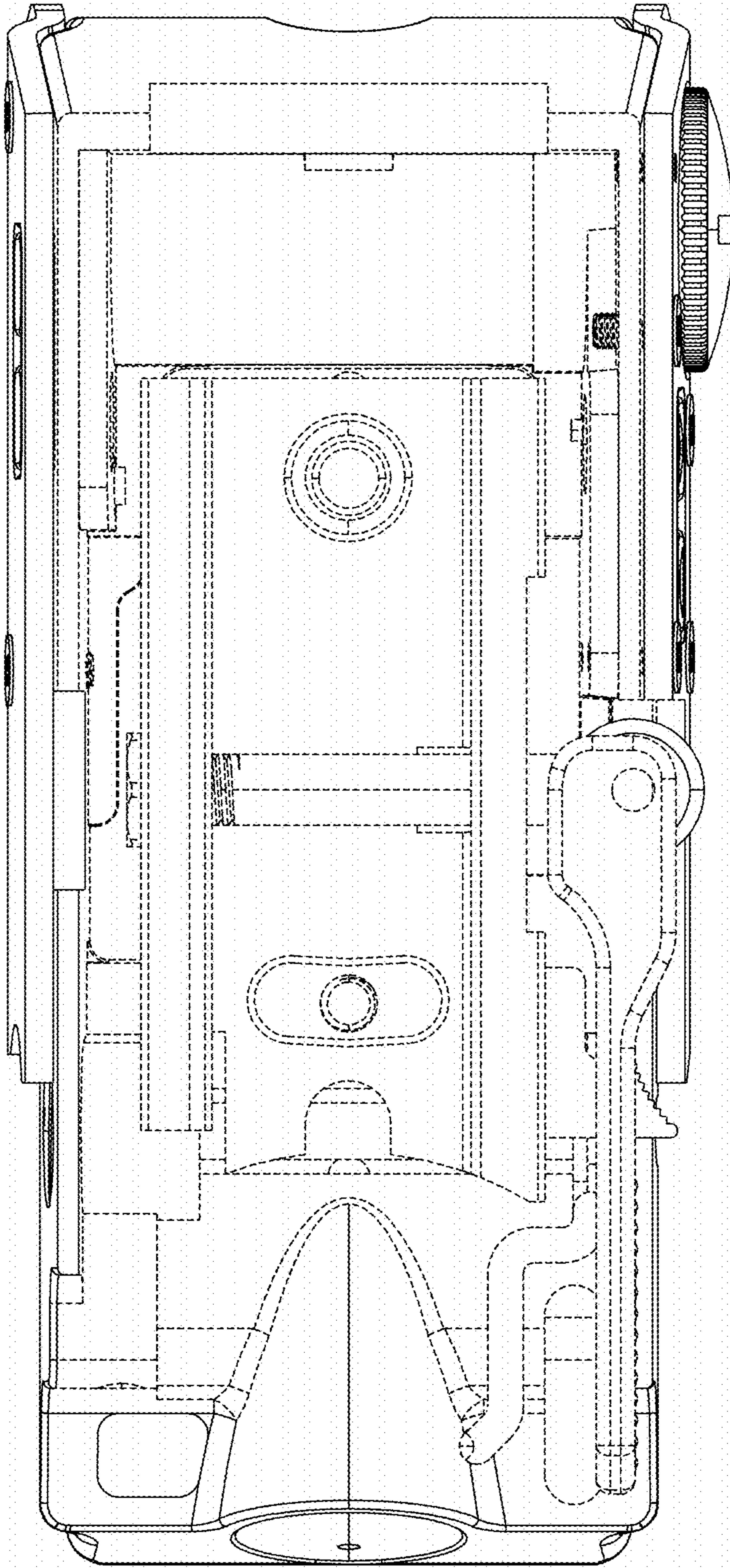


Fig. 7