



US00D847291S

(12) **United States Design Patent** (10) **Patent No.:** **US D847,291 S**  
**Demonico** (45) **Date of Patent:** **\*\* Apr. 30, 2019**

(54) **FIREARM RECEIVER**

(71) Applicant: **Rare Breed Firearms LLC**, Austin, TX (US)

(72) Inventor: **Lawrence Demonico**, Austin, TX (US)

(73) Assignee: **Rare Breed Firearms LLC**, Austin, TX (US)

(\*\*) Term: **15 Years**

(21) Appl. No.: **29/607,965**

(22) Filed: **Jun. 19, 2017**

(51) **LOC (11) Cl.** ..... **22-01**

(52) **U.S. Cl.**  
USPC ..... **D22/108**

(58) **Field of Classification Search**  
USPC ..... D22/102, 104–105, 107–110, 199;  
D21/571–575

CPC ..... F41A 3/66; F41C 27/00; F41C 27/06  
See application file for complete search history.

(56) **References Cited**

**U.S. PATENT DOCUMENTS**

D536,748 S	*	2/2007	Chuang	.....	D21/572
D557,357 S	*	12/2007	Johnston	.....	D21/572
D558,278 S	*	12/2007	Johnston	.....	D21/572
D621,450 S	*	8/2010	Wong	.....	D21/572
D689,974 S		9/2013	Sharps		
D704,280 S	*	5/2014	Murayama	.....	D21/578
D741,956 S	*	10/2015	Barajas	.....	D21/560
D762,785 S	*	8/2016	Ueda	.....	D21/575
D773,586 S		12/2016	Sharps		
D823,977 S	*	7/2018	Demonico	.....	D22/108
D823,978 S	*	7/2018	Demonico	.....	D22/108
D826,362 S	*	8/2018	Sharps	.....	D22/108
D834,132 S	*	11/2018	Demonico	.....	D22/108

**OTHER PUBLICATIONS**

Hrachya H, *Helmet Shaped AR-15 Lower Receivers are the New Trend*, posted at the Firearm Blog, posting date Aug. 4, 2017. [Site

visited Oct. 26, 2018] URL: <<https://www.thefirearmblog.com/blog/2017/08/04/helmet-shaped-ar-15-lower-receivers-new-trend/>> (Year: 2017).\*

Recoil Staff, *Sharps Bros. Warthog Receiver now for sale*, posted at Recoil Magazine, posting date Nov. 20, 2014. [Site visited Oct. 26, 2018] URL: <<https://www.recoilweb.com/sharps-bros-warthog-receiver-now-for-sale-53309.html>> (Year: 2014).\*

(Continued)

*Primary Examiner* — Kevin K Rudzinski

*Assistant Examiner* — Kathleen L Jones

(74) *Attorney, Agent, or Firm* — Wood Herron & Evans LLP

(57) **CLAIM**

The ornamental design for a firearm receiver, as shown and described.

**DESCRIPTION**

FIG. 1 is a front right isometric view of a firearm receiver according to the present invention.

FIG. 2 is another front right isometric view thereof.

FIG. 3 is a rear right isometric view thereof.

FIG. 4 is a front right bottom isometric view thereof.

FIG. 5 is a front view thereof.

FIG. 6 is a rear view thereof.

FIG. 7 is a left side view thereof.

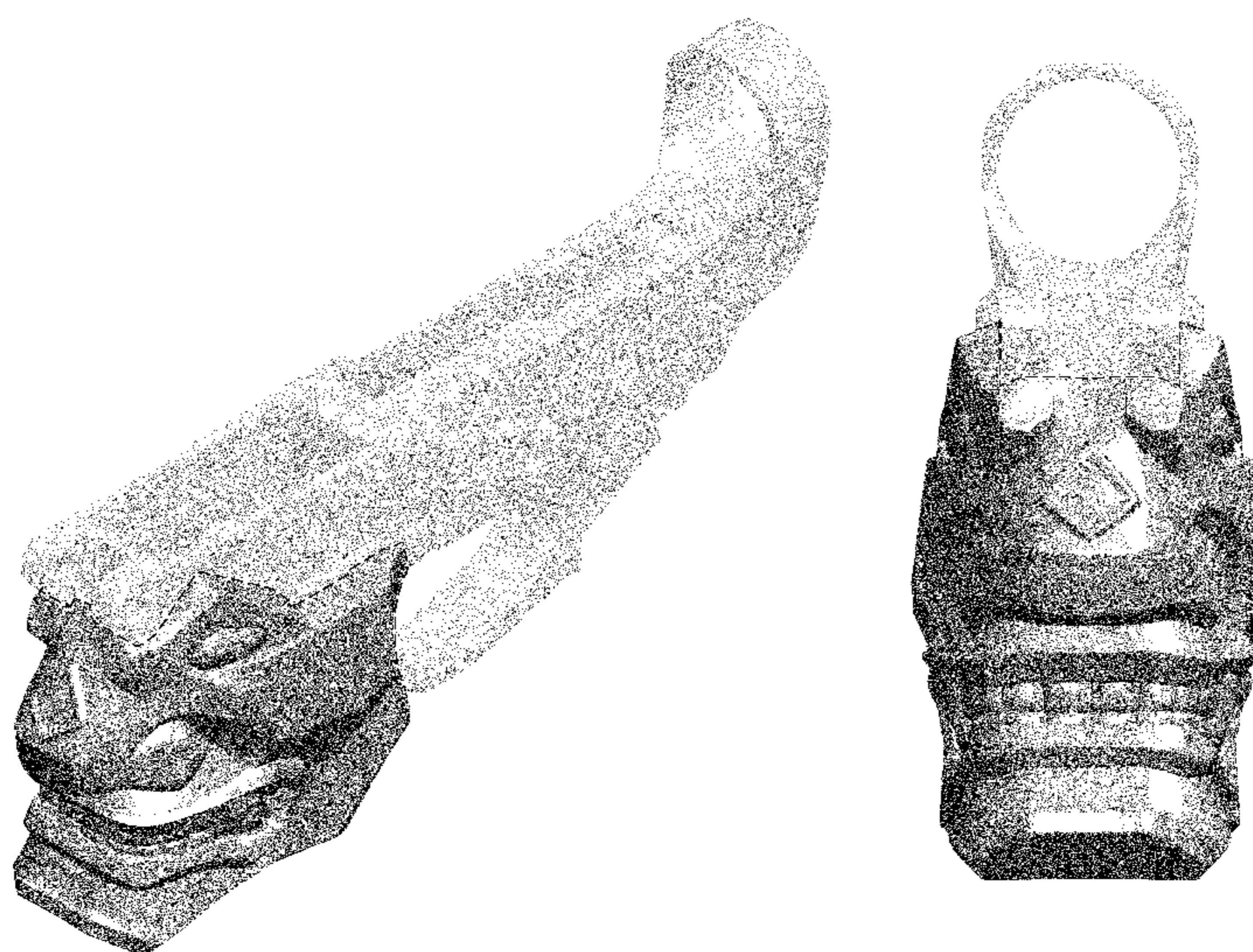
FIG. 8 is a right side view thereof.

FIG. 9 is a top view thereof; and,

FIG. 10 is a bottom view thereof.

The broken lines show a boundary of the claimed design and form no part thereof. The portions of the firearm receiver depicted in de-emphasized half tone in each of the figures depict environmental structure and form no part of the claimed design.

**1 Claim, 8 Drawing Sheets**



(56)

**References Cited**

OTHER PUBLICATIONS

Spike's Tactical The Jack Billet AR15 Multi Cal Stripped Lower Receiver, posted at Able Ammo, posting date Nov. 16, 2015. URL: <<https://web.archive.org/web/20151116064731/https://www.ableammo.com/catalog/spikes-tactical-the-jack-billet-ar15-multi-cal-stripped-lower-receiver-stlb520-p-143817.html>> (Year: 2015).\*

\* cited by examiner

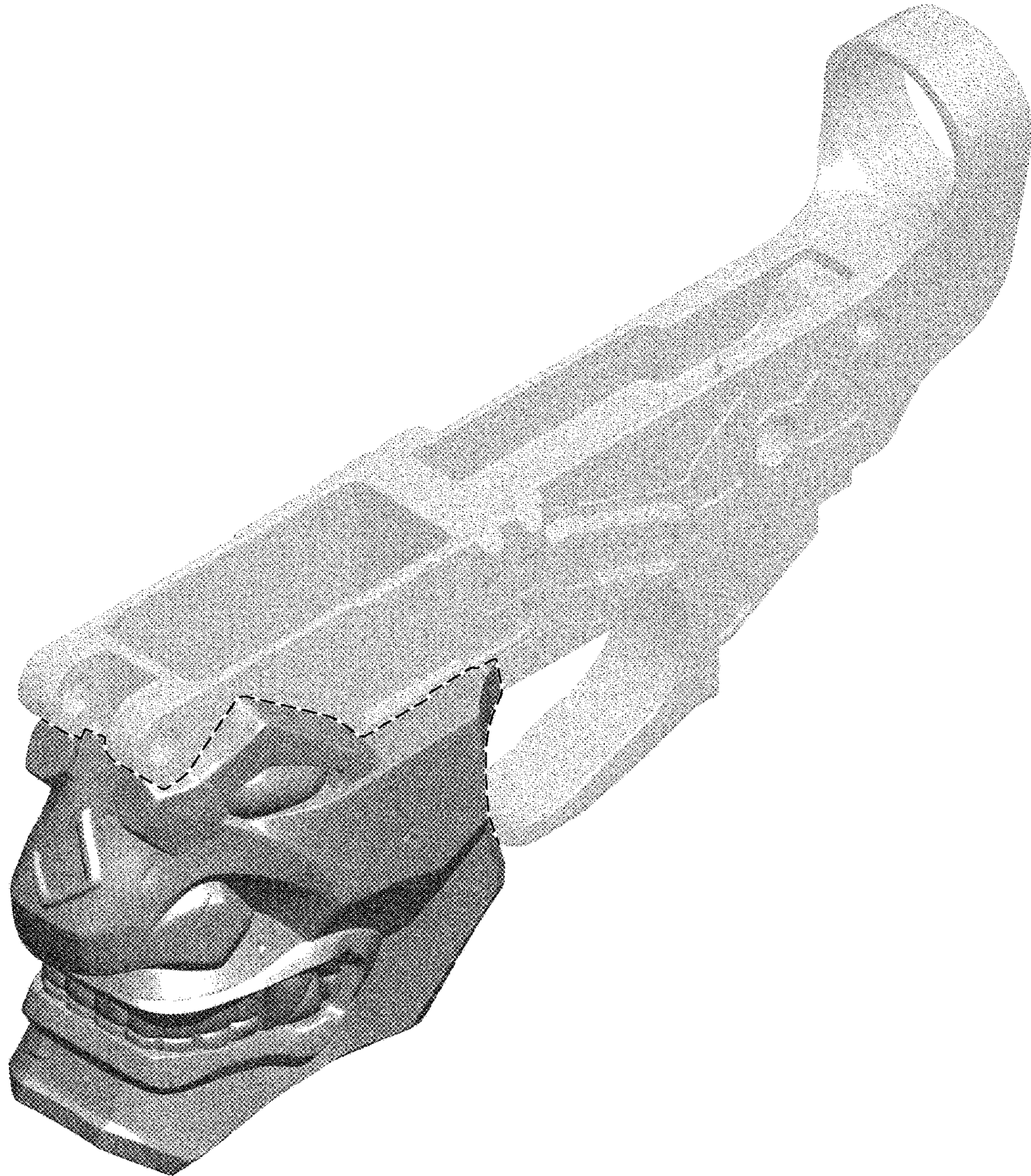


FIG. 1

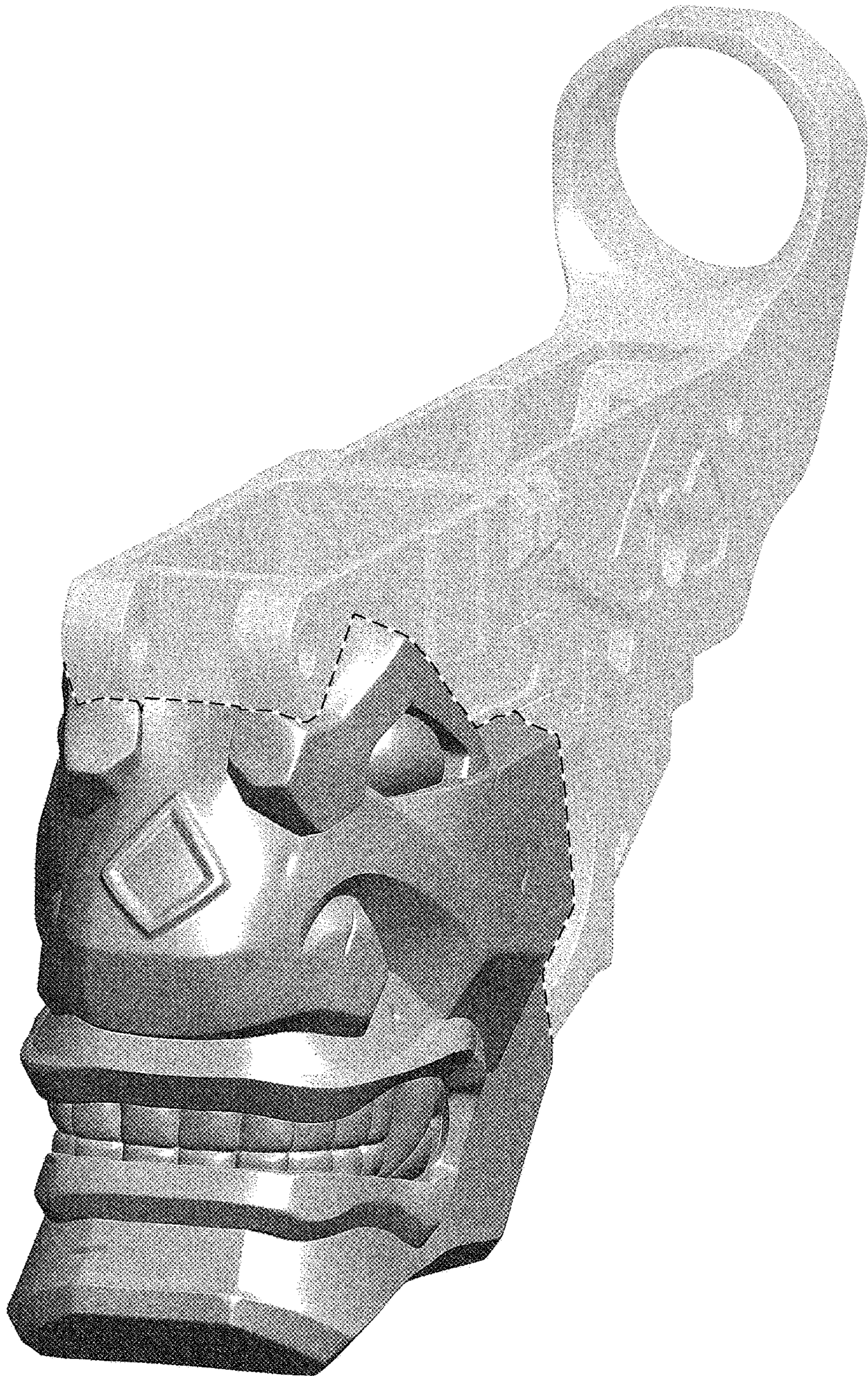


FIG. 2

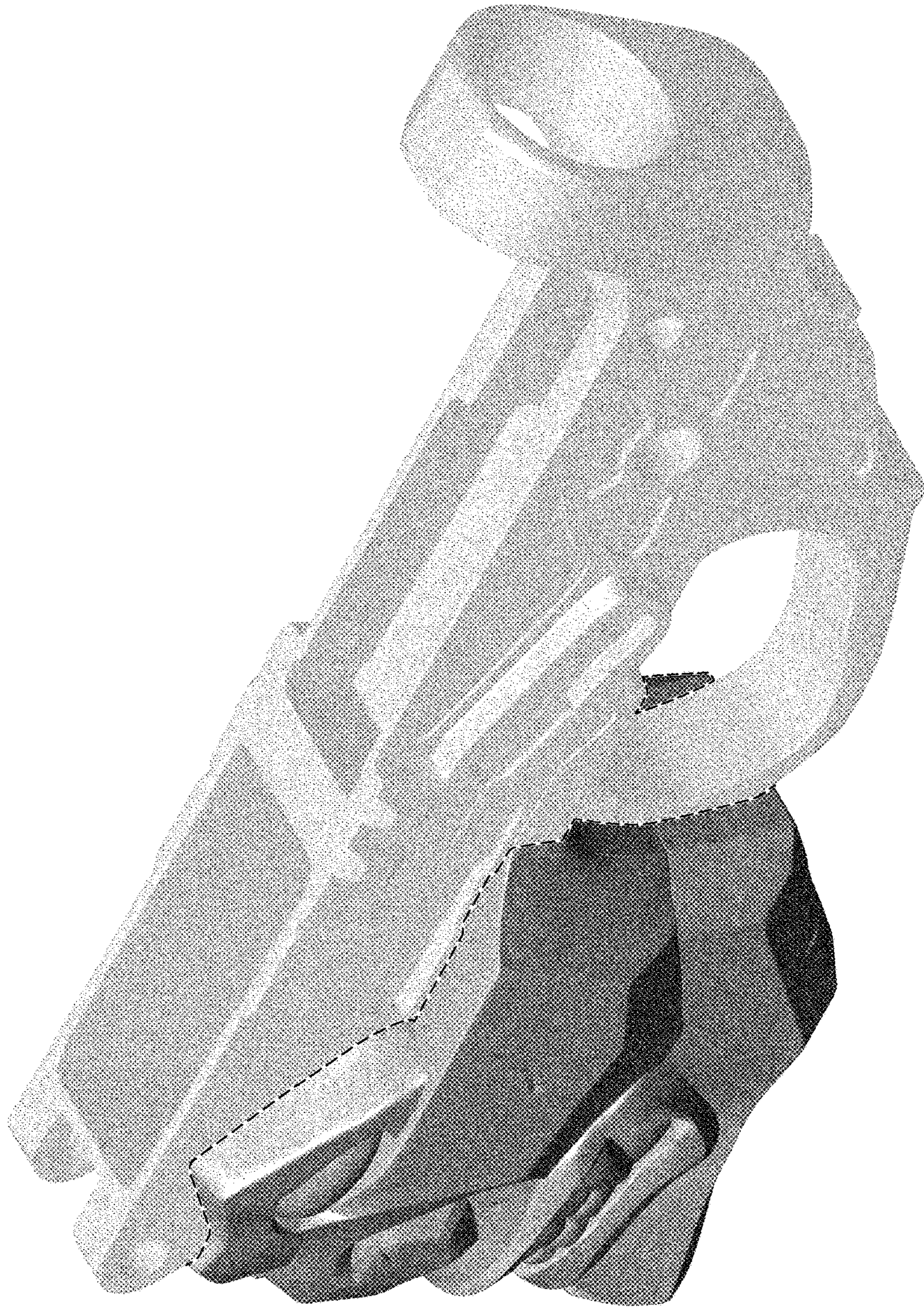


FIG. 3

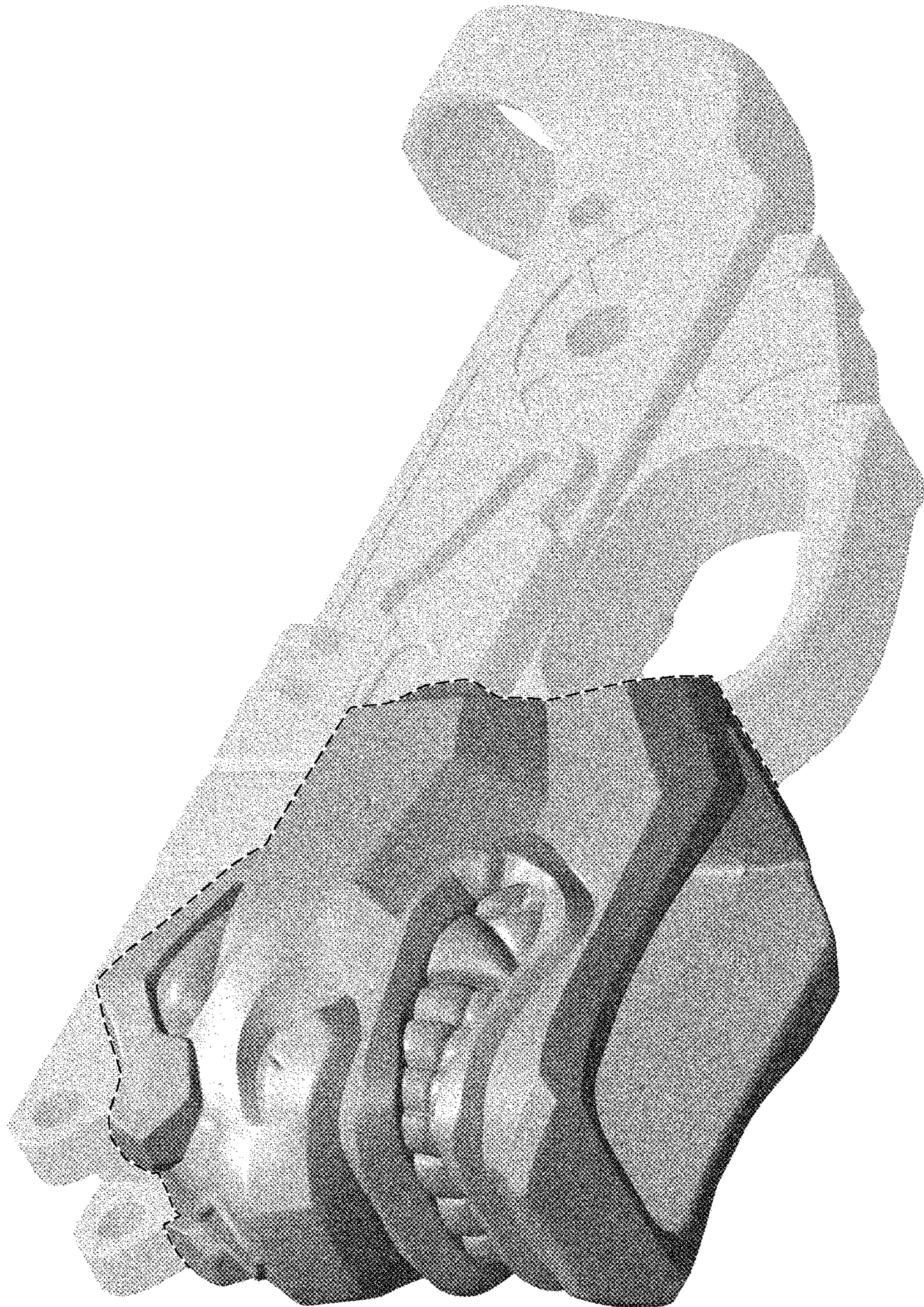


FIG. 4

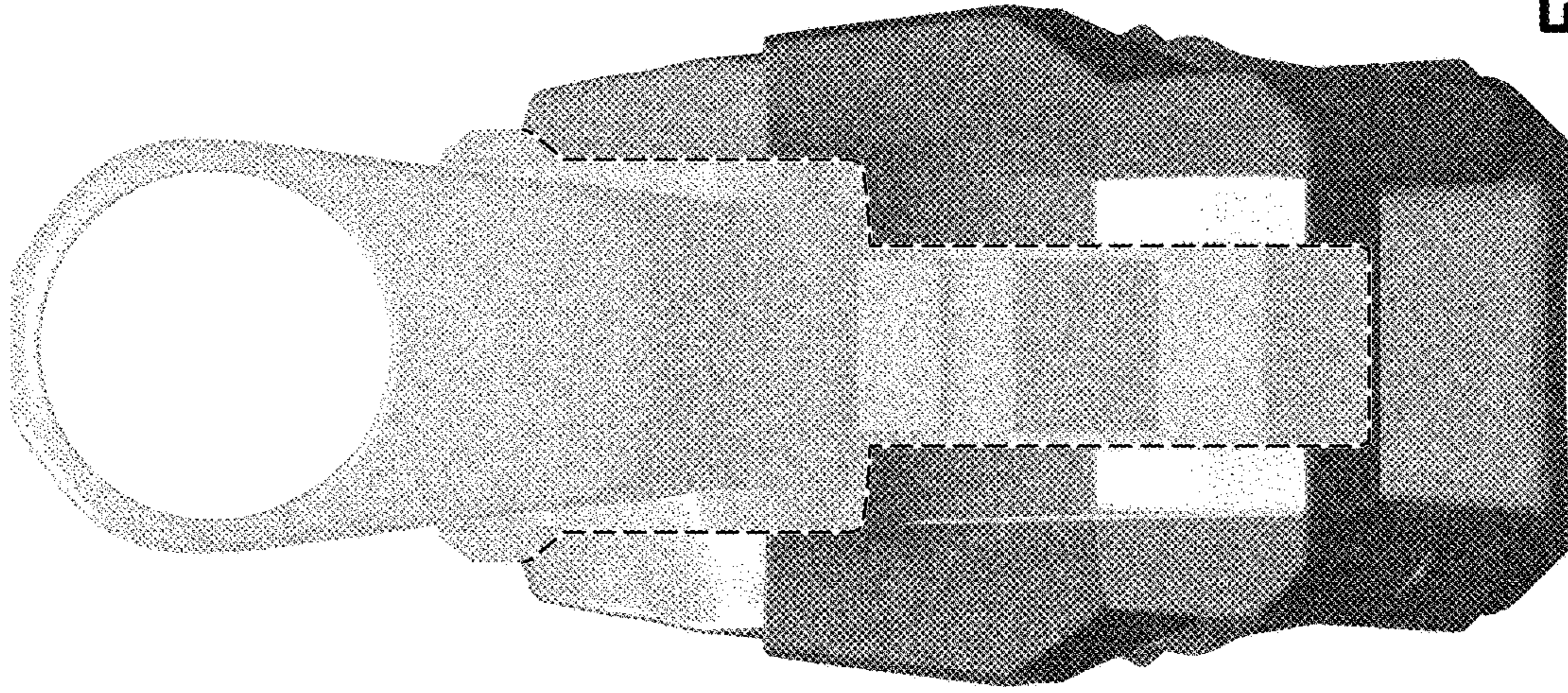


FIG. 6

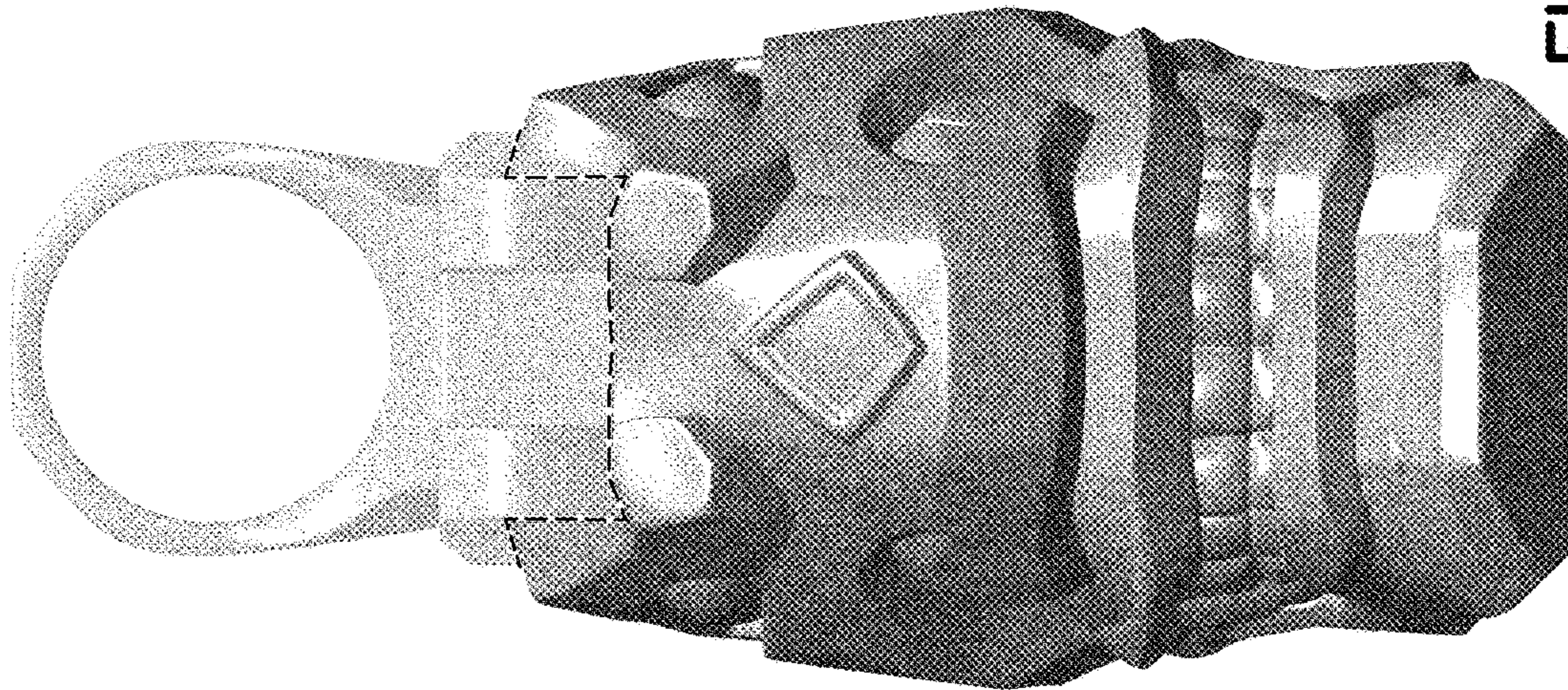


FIG. 5

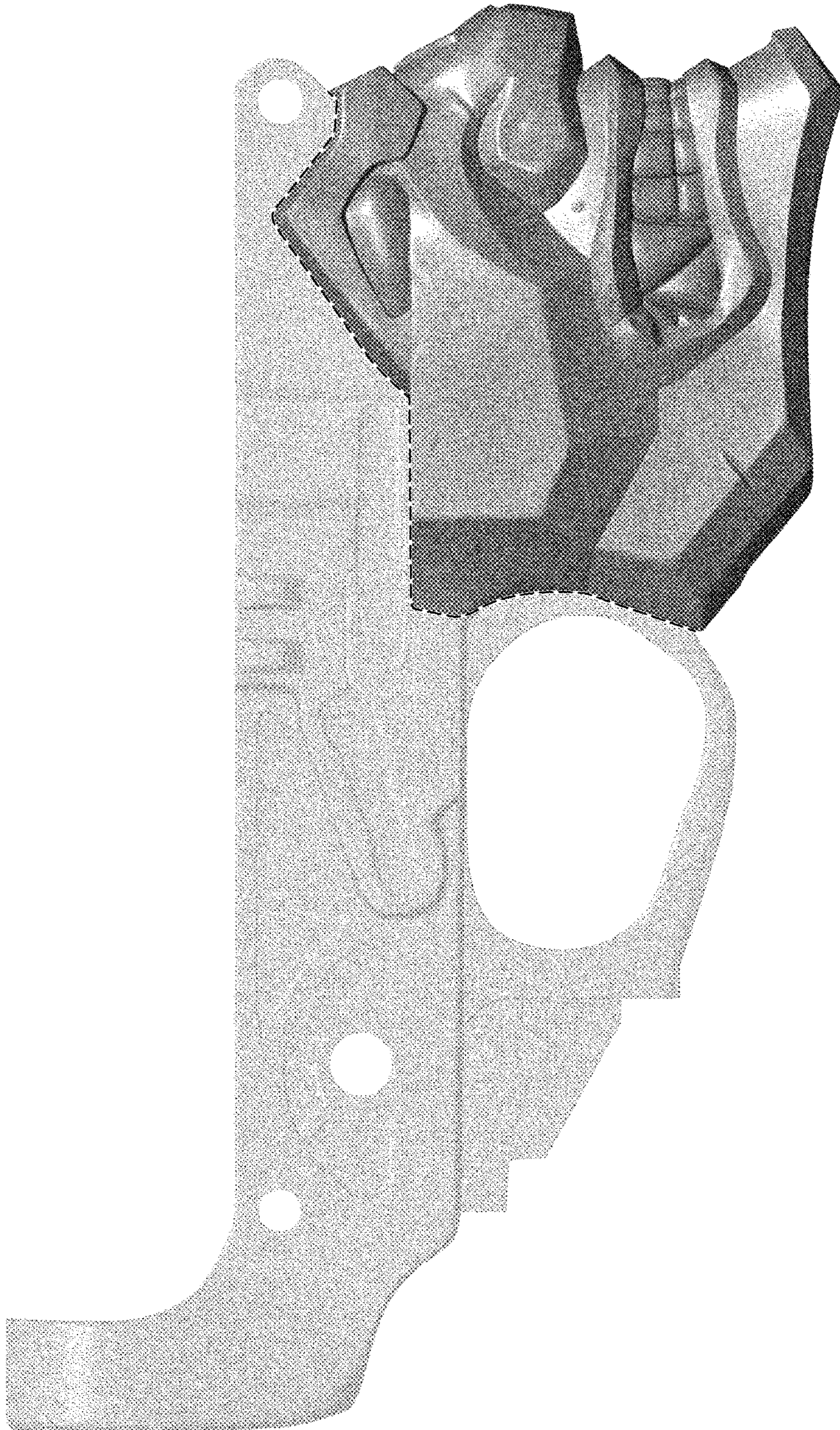


FIG. 7



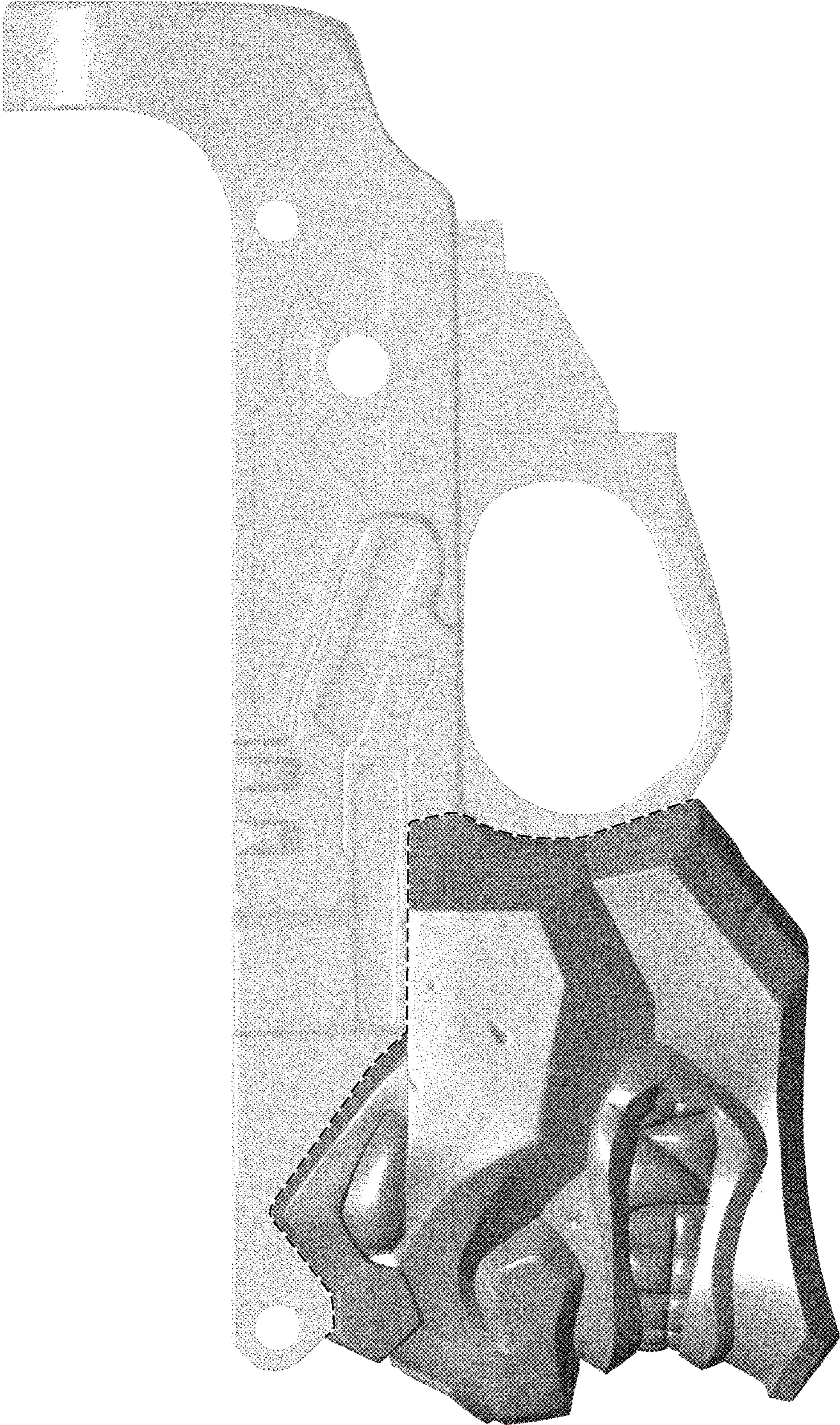


FIG. 8

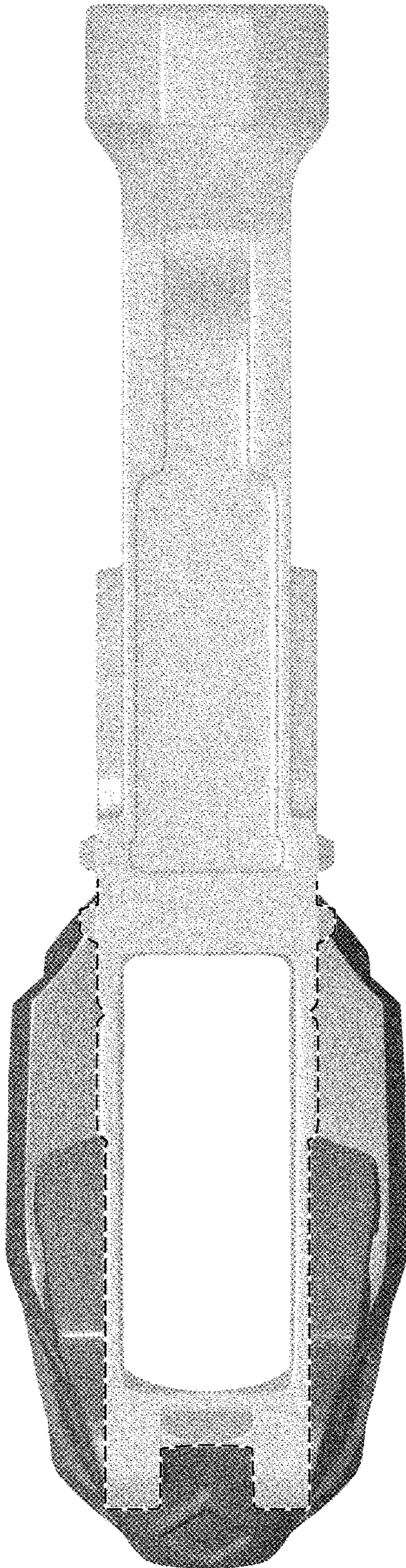


FIG. 9

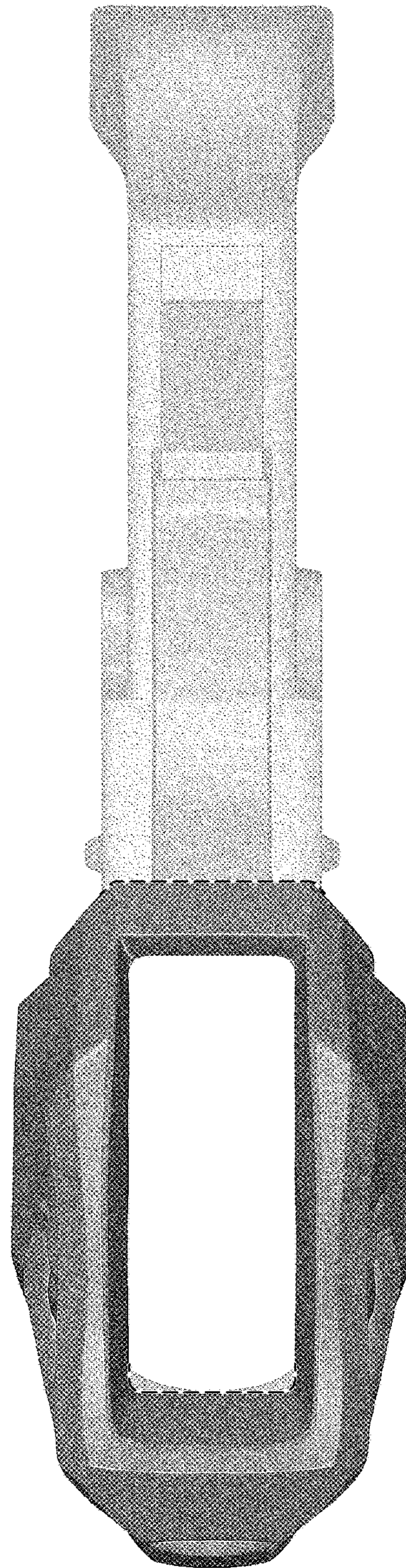


FIG. 10