

US00D847290S

(12) **United States Design Patent** (10) **Patent No.:** **US D847,290 S**
Betty (45) **Date of Patent:** **** Apr. 30, 2019**

(54) **HYBRID BROADHEAD**

6,306,053 B1 10/2001 Liechty, II
6,530,853 B1* 3/2003 Giannetti F42B 6/08
473/584

(71) Applicant: **Lee Betty**, Broomfield, CO (US)

(Continued)

(72) Inventor: **Lee Betty**, Broomfield, CO (US)

OTHER PUBLICATIONS

(73) Assignee: **The Allen Company, Inc.**, Broomfield, CO (US)

<https://www.amazon.com/dp/B076DJR9GL/>—Retrieved on Sep. 11, 2018.*

(**) Term: **15 Years**

(Continued)

(21) Appl. No.: **29/627,609**

Primary Examiner — Manpreet S Matharu

Assistant Examiner — Mojtaba Tehrani

(22) Filed: **Nov. 28, 2017**

(74) *Attorney, Agent, or Firm* — Boyd D Cox

(51) **LOC (11) Cl.** **22-01**

(52) **U.S. Cl.**

USPC **D22/107**

(57) **CLAIM**

(58) **Field of Classification Search**

USPC D21/300, 301, 304, 387, 567, 570, 571,
D21/573, 574, 575, 746; D22/100, 101,
D22/102, 103, 106, 107, 108, 109, 110,
D22/111, 112, 199

The ornamental design for a hybrid broadhead, as shown and described.

CPC F41A 3/26; F41A 3/12; F41A 5/02; F41A
17/22; F41B 5/143; F41B 5/14; F41B
5/066; F41B 7/08; F41B 5/1446; F41B
5/148; F41B 5/1465; F42B 6/04; F42B
6/08; F42B 6/02; F42B 6/06; F42B
12/362; F41C 23/16; F41C 27/00; F41C
7/00; F41G 11/003; F41G 11/001; F41G
11/004; F41G 11/005; A63H 5/04

See application file for complete search history.

DESCRIPTION

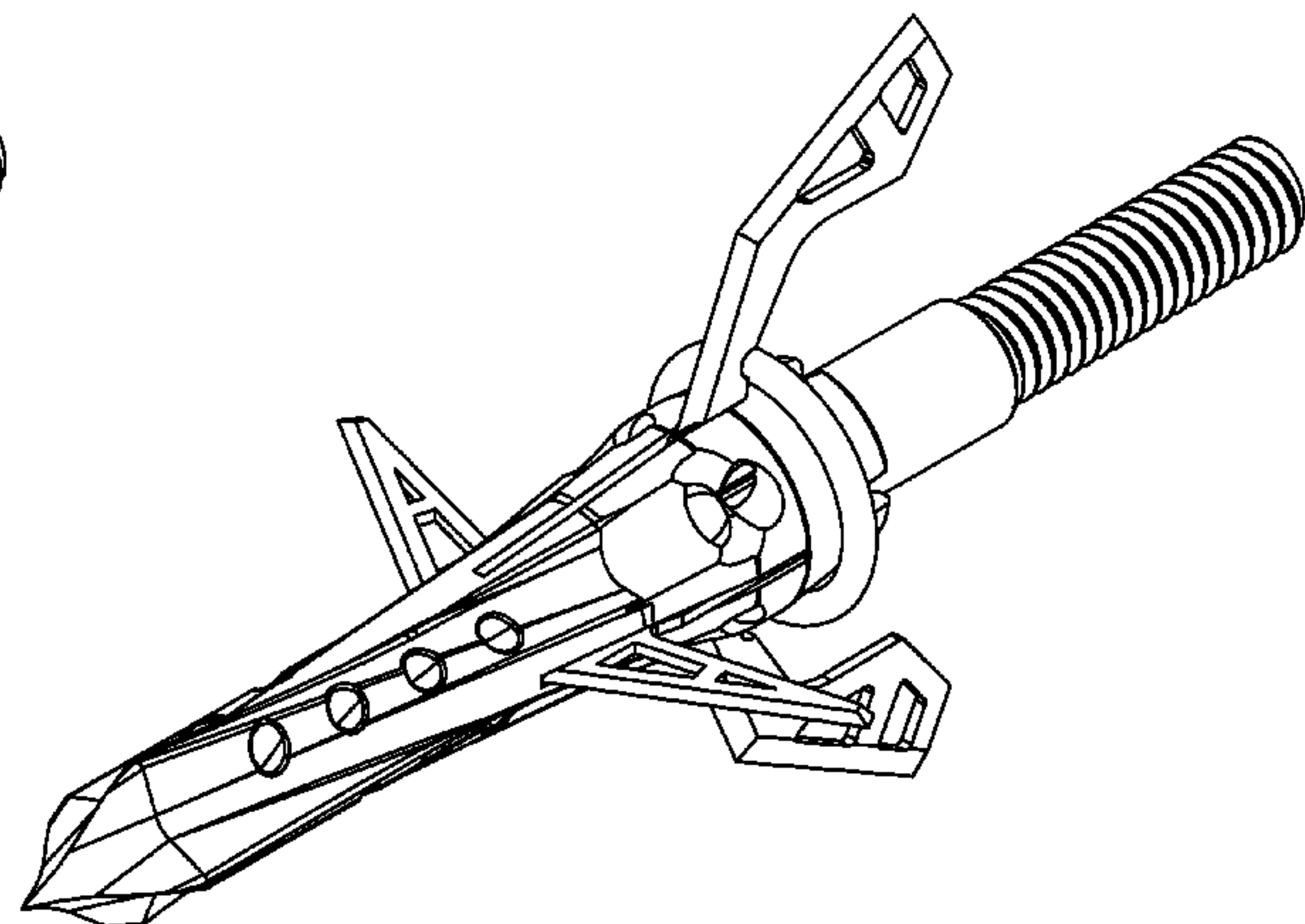
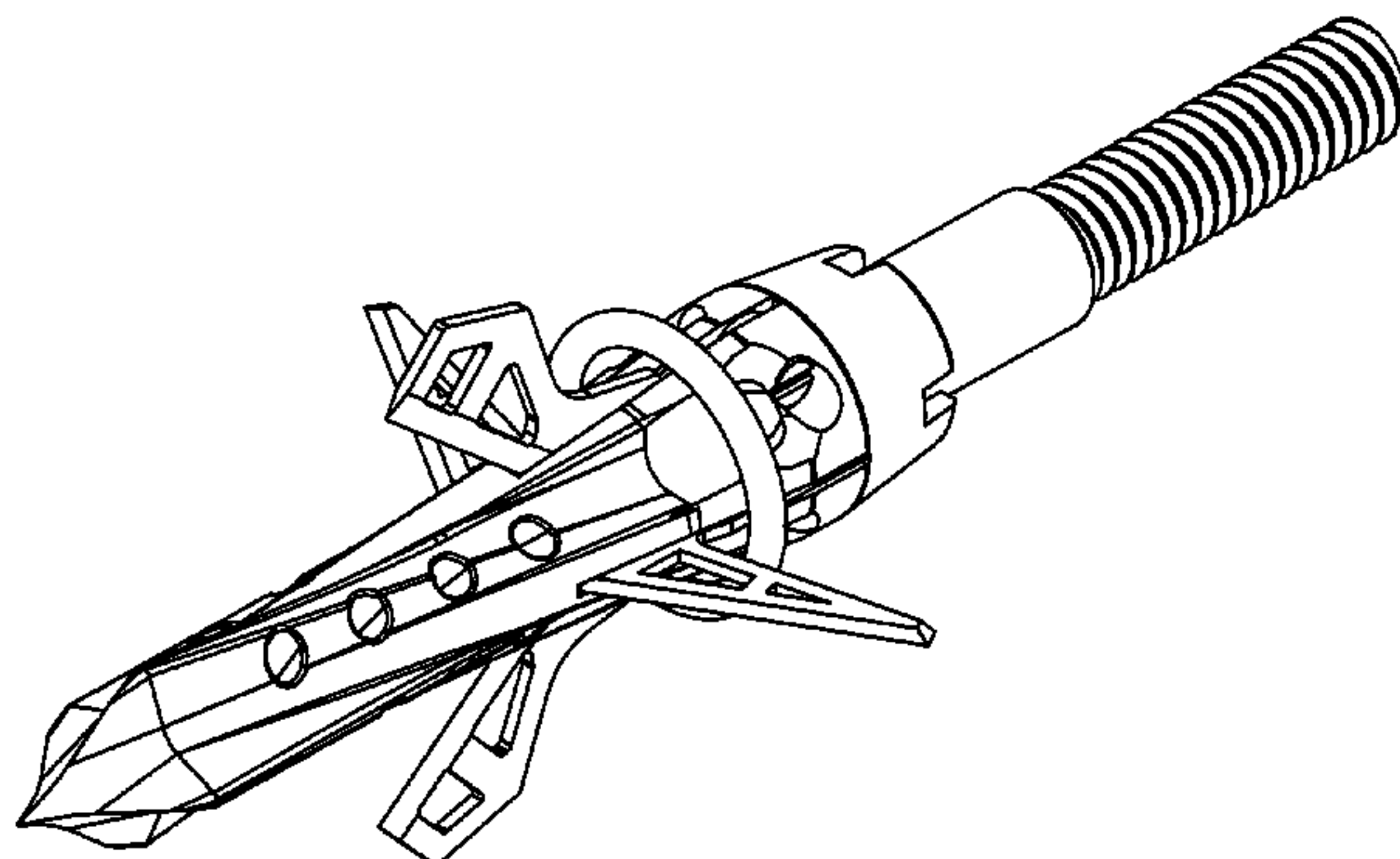
FIG. 1 is a perspective view of a hybrid broadhead in the closed position, showing my new design;
FIG. 2 is front view thereof;
FIG. 3 is a back view thereof;
FIG. 4 is a left view thereof;
FIG. 5 is a right view thereof;
FIG. 6 is a top view thereof;
FIG. 7 is a bottom view thereof;
FIG. 8 is an exploded perspective view thereof;
FIG. 9 is a perspective view of a hybrid broadhead in the opened position;
FIG. 10 is a front view thereof;
FIG. 11 is a left view thereof;
FIG. 12 is a back view thereof;
FIG. 13 is a right view thereof;
FIG. 14 is a top thereof;
FIG. 15 is a bottom view thereof; and,
FIG. 16 is an exploded perspective view thereof.

(56) **References Cited**

U.S. PATENT DOCUMENTS

5,820,498 A * 10/1998 Maleski F42B 6/08
473/584
5,871,410 A 2/1999 Simo et al.
6,077,179 A 6/2000 Liechty, II
6,077,180 A 6/2000 Adams, Jr.
6,258,000 B1 7/2001 Liechty, II
6,283,880 B1* 9/2001 Barrie F42B 6/08
473/584

(Continued)



The dash-dot broke lines in the drawings depict projection lines and form no part of the claimed design.

1 Claim, 10 Drawing Sheets

(56)

References Cited

U.S. PATENT DOCUMENTS

6,605,012 B2 * 8/2003 Muller F42B 6/08
473/584

6,793,596 B1 * 9/2004 Sullivan F42B 6/08
473/583

6,863,630 B1 3/2005 Watkins et al.

6,918,848 B2 7/2005 Kuhn

6,966,856 B1 11/2005 Hajek

6,997,827 B1 2/2006 Grace, Jr. et al.

7,037,223 B2 5/2006 Kuhn

7,179,182 B2 2/2007 Summers

7,234,220 B1 * 6/2007 Grace, Jr. F42B 6/08
29/428

7,311,622 B1 12/2007 Futtere

7,338,397 B2 3/2008 Mizek et al.

7,422,533 B1 9/2008 Johnson

7,682,271 B2 * 3/2010 Rager F42B 6/08
473/583

7,771,297 B2 8/2010 Kuhn

7,803,073 B2 * 9/2010 Sullivan F42B 6/08
473/583

7,871,345 B2 1/2011 Cooper

7,942,765 B2 * 5/2011 Odabachian F42B 6/08
473/583

7,955,201 B2 6/2011 Harwath et al.

8,100,788 B2 * 1/2012 Sanford F42B 6/08
473/582

8,105,187 B1 * 1/2012 Sanford F42B 6/08
473/583

8,113,974 B1 * 2/2012 Ward, Jr. F42B 6/08
473/583

8,147,360 B2 * 4/2012 Simo F42B 6/08
30/355

8,147,362 B2 4/2012 Muntanion et al.

8,313,398 B2 11/2012 Baker

D672,836 S * 12/2012 Butcher F42B 6/08
D22/107

8,398,510 B1 * 3/2013 Mizek F42B 6/08
473/583

8,449,416 B2 5/2013 Grace et al.

8,469,842 B2 * 6/2013 Mizek F42B 6/08
473/583

8,469,843 B2 * 6/2013 Mizek F42B 6/04
473/583

8,657,709 B2 2/2014 Bay

D710,962 S * 8/2014 Pedersen D22/107

D711,489 S * 8/2014 Pedersen D22/107

8,801,552 B2 * 8/2014 Miles F42B 6/08
473/583

8,905,874 B2 * 12/2014 Sullivan F42B 12/34
473/583

8,911,311 B1 12/2014 Mizek et al.

8,920,269 B2 12/2014 Rager

8,926,457 B2 * 1/2015 Treto F42B 6/08
473/583

8,974,327 B2 * 3/2015 Priore F42B 6/08
473/583

8,986,141 B2 * 3/2015 Pedersen F42B 12/34
473/583

D730,471 S * 5/2015 Pedersen D22/107

9,028,349 B2 * 5/2015 Budris F42B 6/08
473/583

9,052,170 B1 * 6/2015 Campbell F42B 12/34

9,062,944 B1 * 6/2015 Dupuis F42B 6/08

9,068,806 B2 * 6/2015 Pedersen F42B 12/34

9,091,515 B1 * 7/2015 Lee F42B 6/08

9,157,710 B1 10/2015 Huntsman

D743,500 S * 11/2015 Pedersen D22/107

D743,501 S * 11/2015 Pedersen D22/107

D745,619 S * 12/2015 Pedersen D22/107

9,239,216 B2 1/2016 Hartcraft

9,310,173 B2 4/2016 Bay

9,329,006 B1 * 5/2016 Hansen F42B 6/08

9,335,135 B2 5/2016 Powell

9,341,451 B1 * 5/2016 Campbell F42B 12/34

9,372,056 B2 * 6/2016 Sullivan F42B 6/08

D765,208 S * 8/2016 Loa D22/107

9,404,722 B2 8/2016 Pedersen

9,410,778 B2 8/2016 Pedersen

D768,798 S * 10/2016 Loa D22/107

D774,615 S * 12/2016 Pedersen D22/107

D776,782 S * 1/2017 Pedersen D22/107

9,605,933 B2 3/2017 Pedersen

10,030,949 B1 * 7/2018 Grace F42B 6/08

2007/0161438 A1 * 7/2007 Fulton F42B 6/08
473/583

2008/0234079 A1 * 9/2008 Butcher F42B 6/08
473/584

2008/0254925 A1 * 10/2008 Odabachian F42B 6/08
473/584

2009/0111621 A1 * 4/2009 Mizek F42B 6/08
473/584

2010/0173734 A1 * 7/2010 Robbins F42B 6/08
473/584

2012/0165142 A1 * 6/2012 Grace F42B 6/08
473/582

2013/0316861 A1 * 11/2013 Lee F42B 6/08
473/583

2014/0128186 A1 * 5/2014 Treto F42B 6/08
473/583

2014/0194234 A1 * 7/2014 Miles F42B 6/08
473/583

2016/0047637 A1 * 2/2016 Salvino F42B 6/08
473/583

OTHER PUBLICATIONS

<https://datafortress2020.com/ab/ammo.html>—Retrieved on Sep. 11, 2018.*

<https://www.youtube.com/watch?v=q5VDN51rugl>—Published on Feb. 2, 2018.*

* cited by examiner

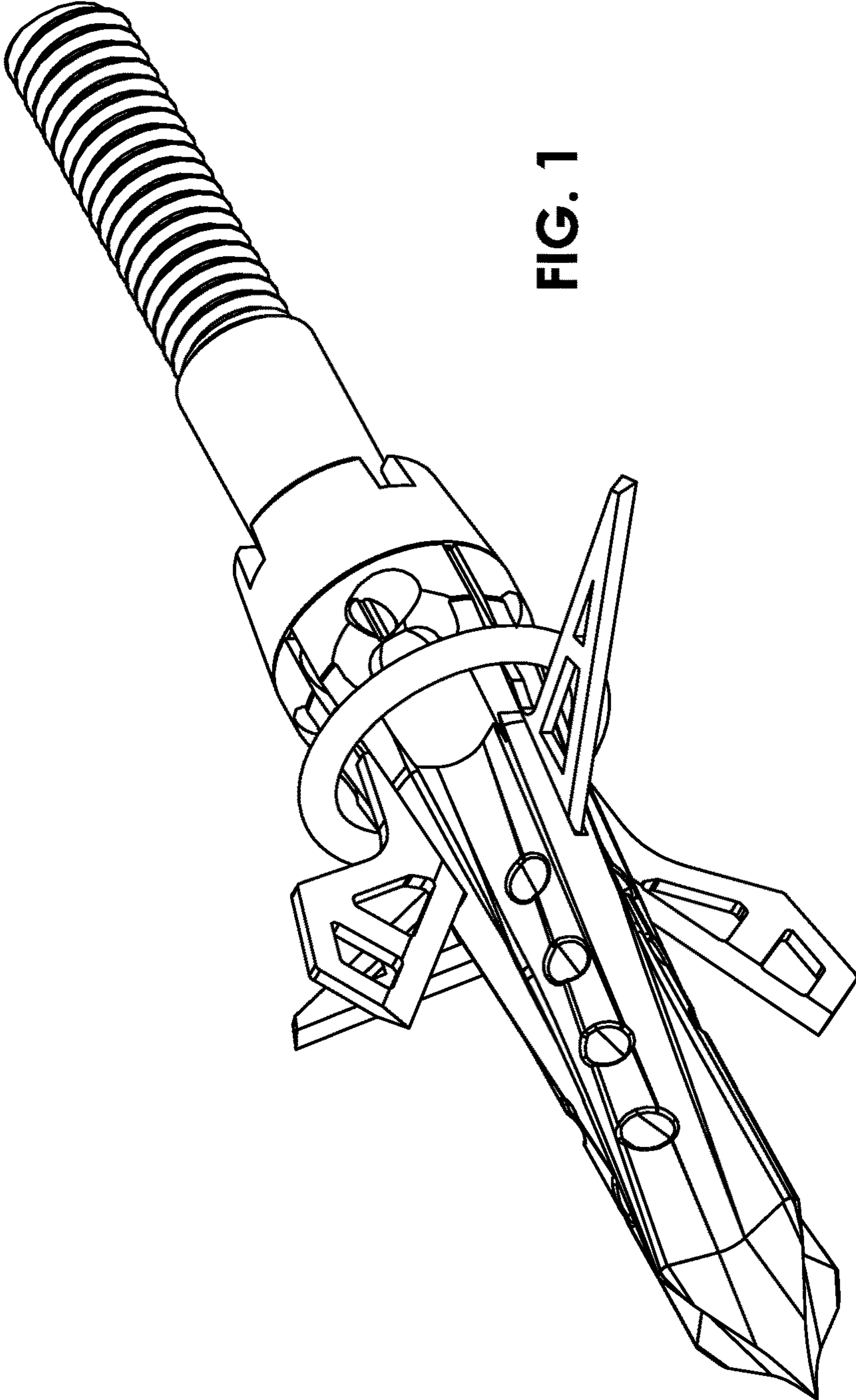


FIG. 1

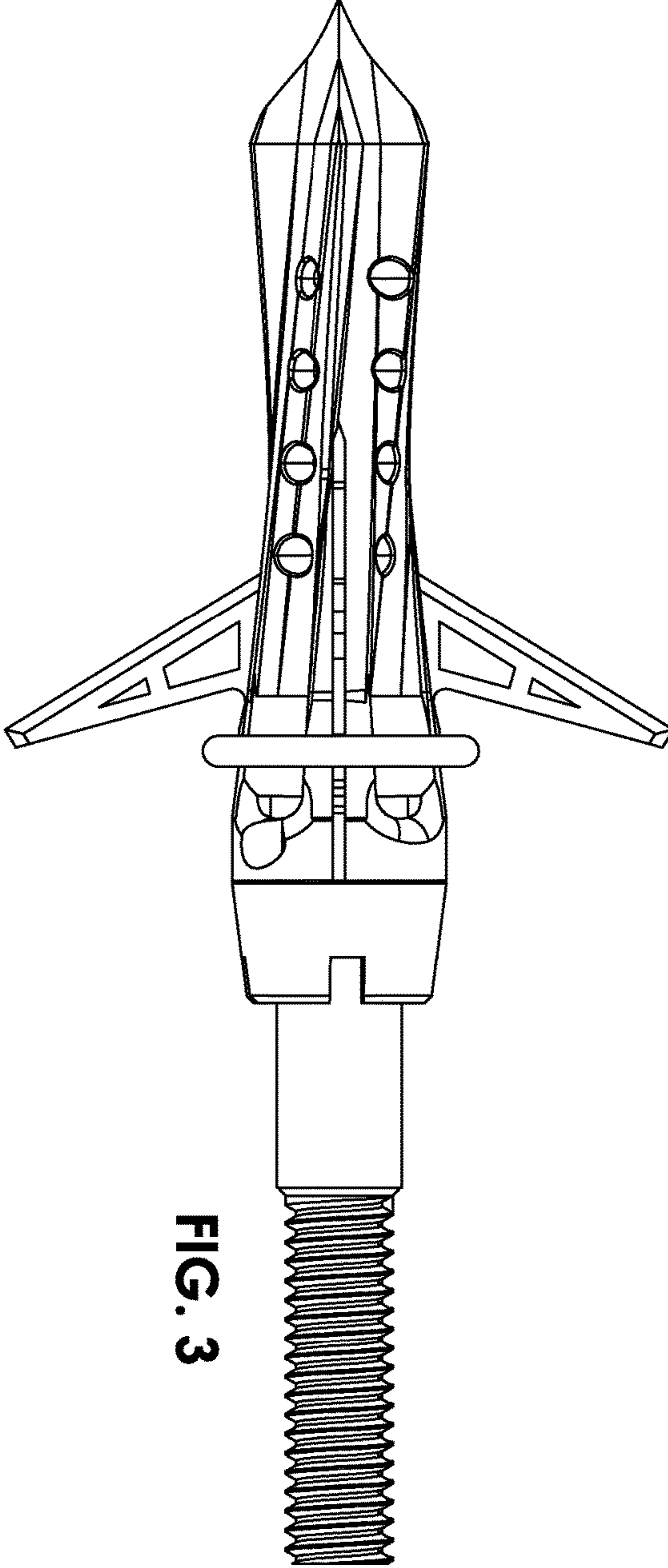


FIG. 3

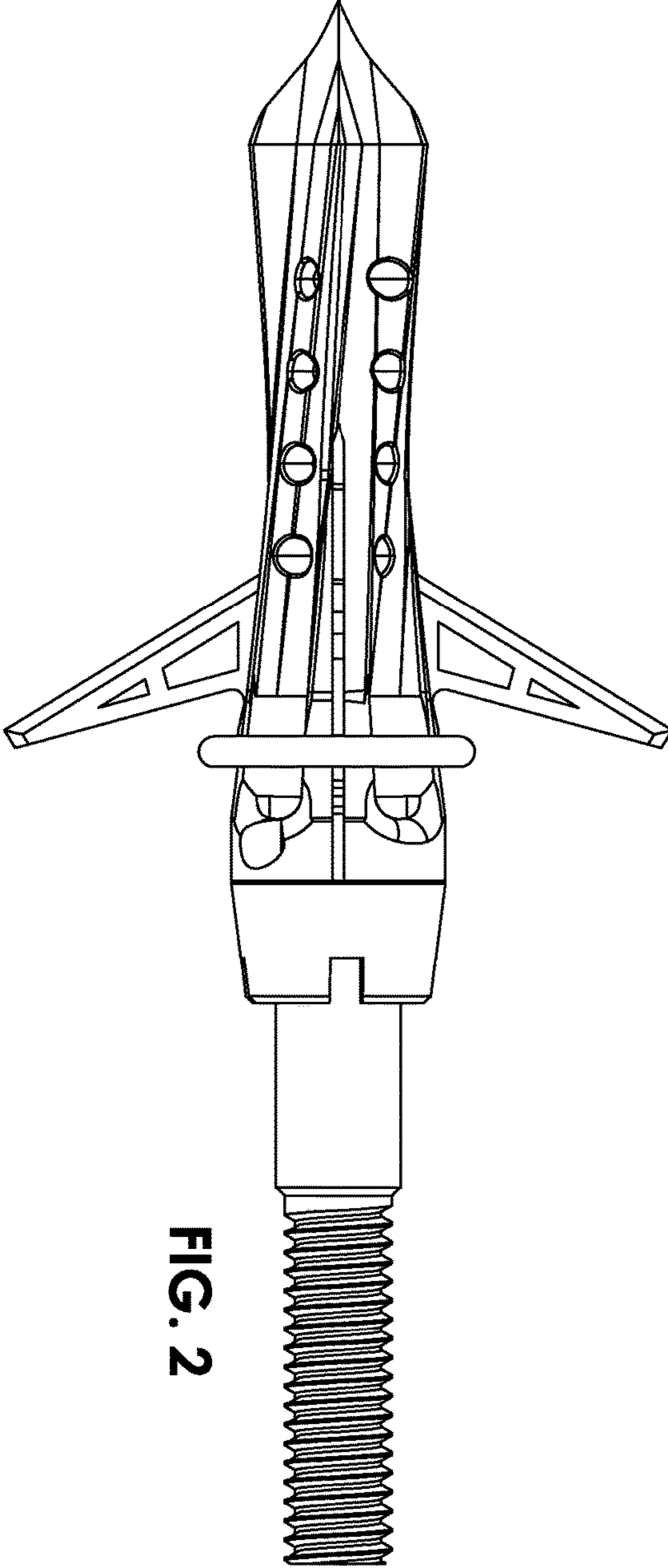


FIG. 2

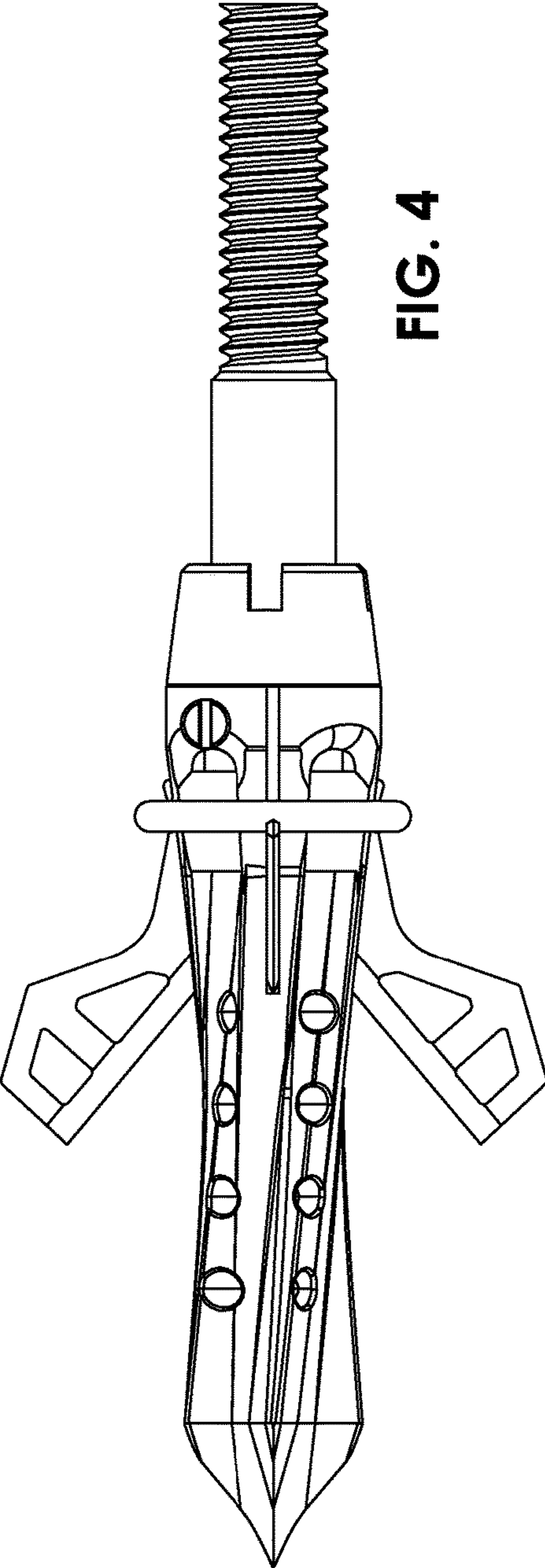


FIG. 4

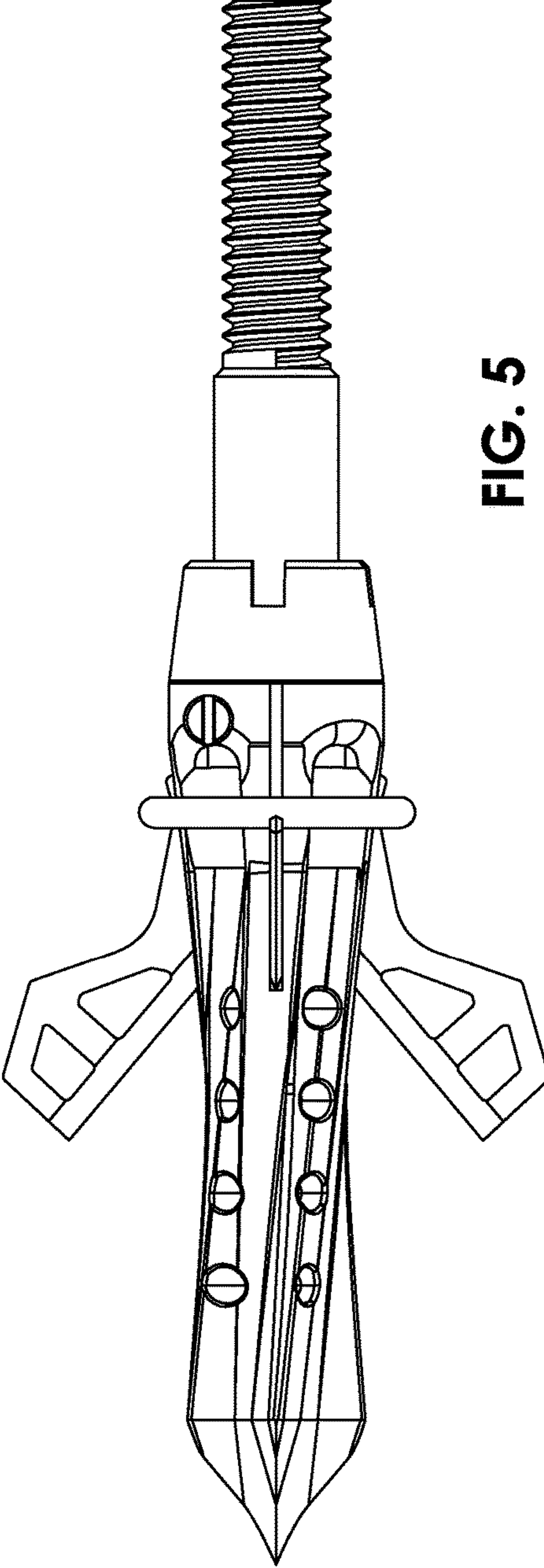


FIG. 5

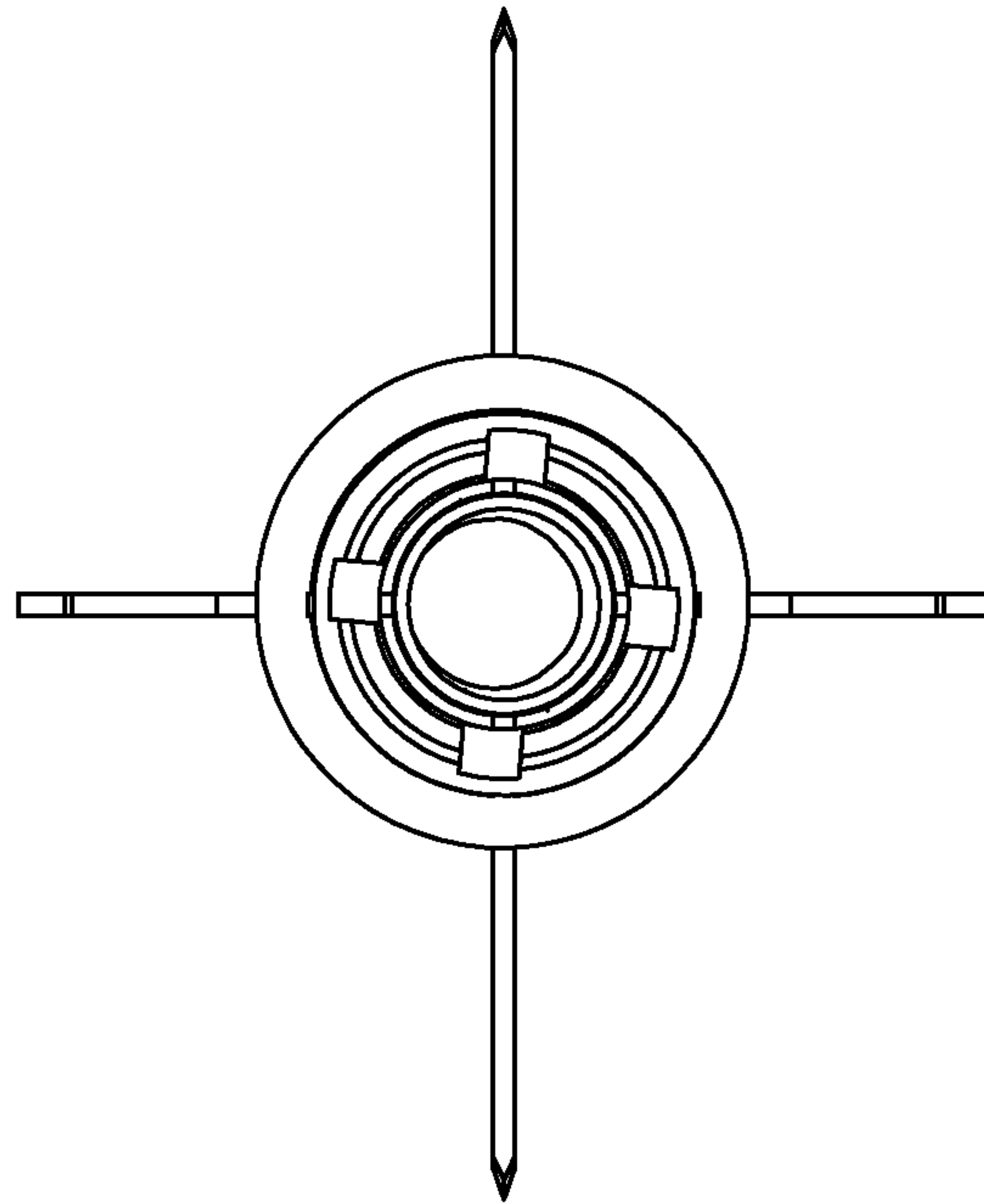


FIG. 7

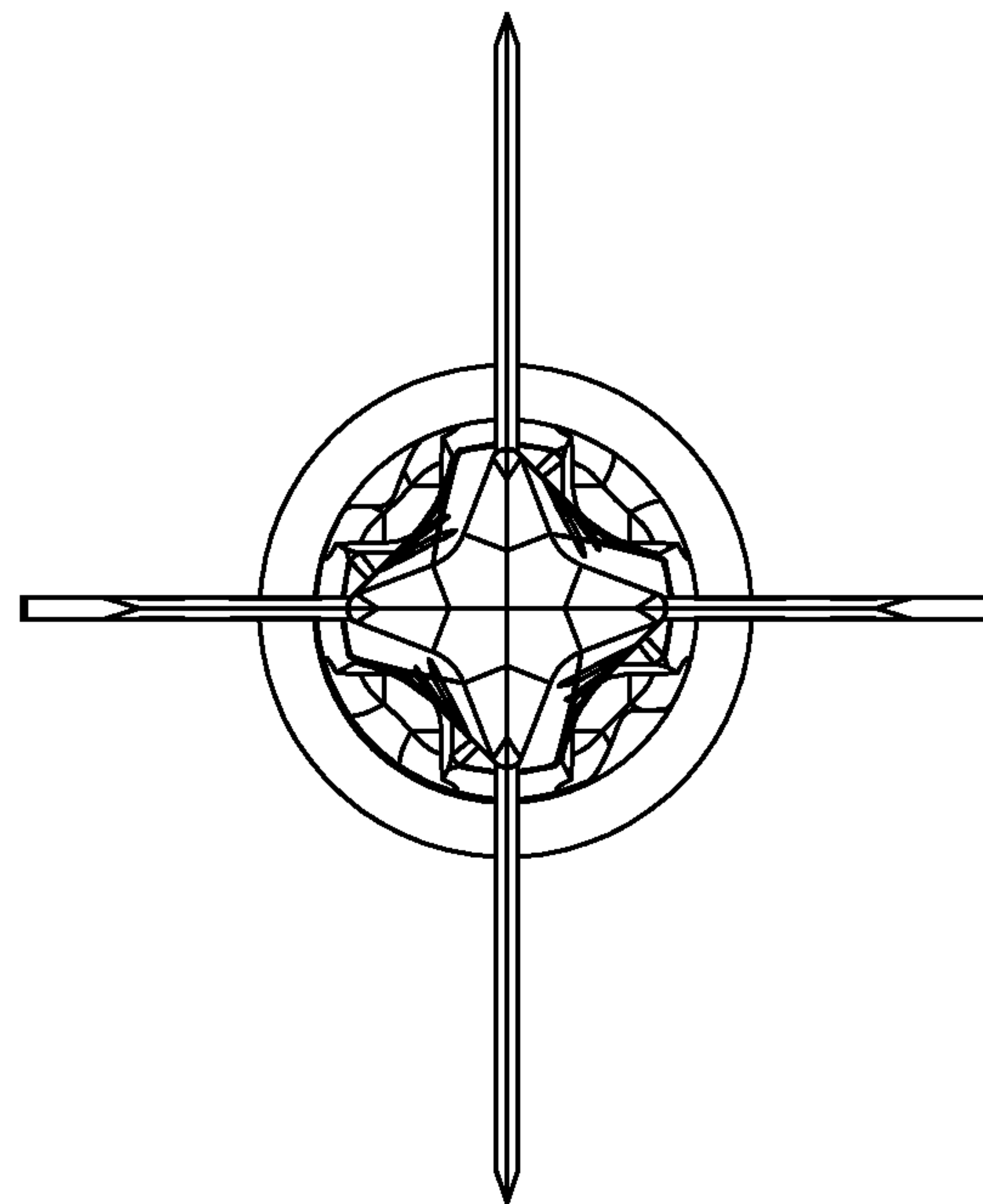
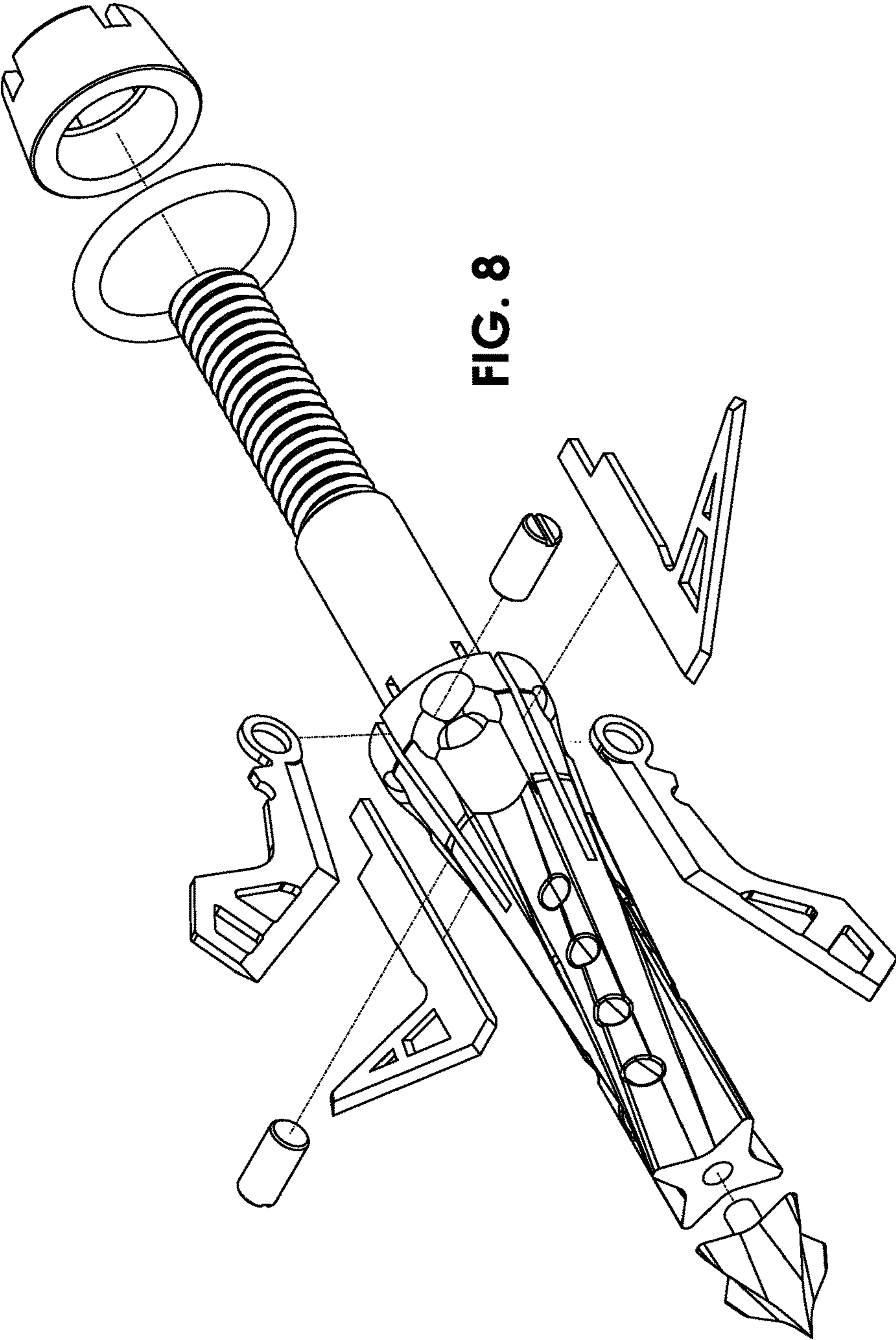


FIG. 6



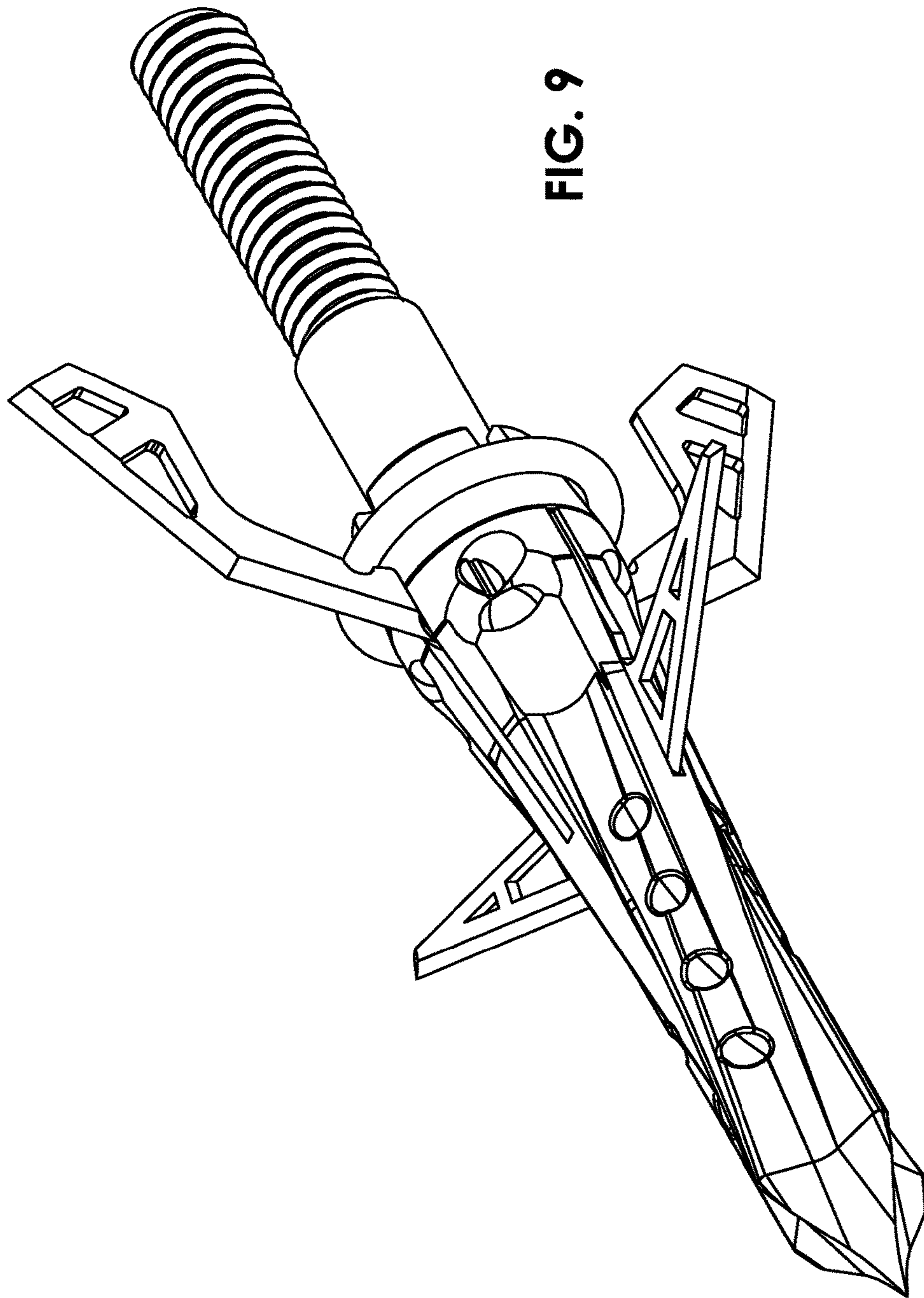


FIG. 9

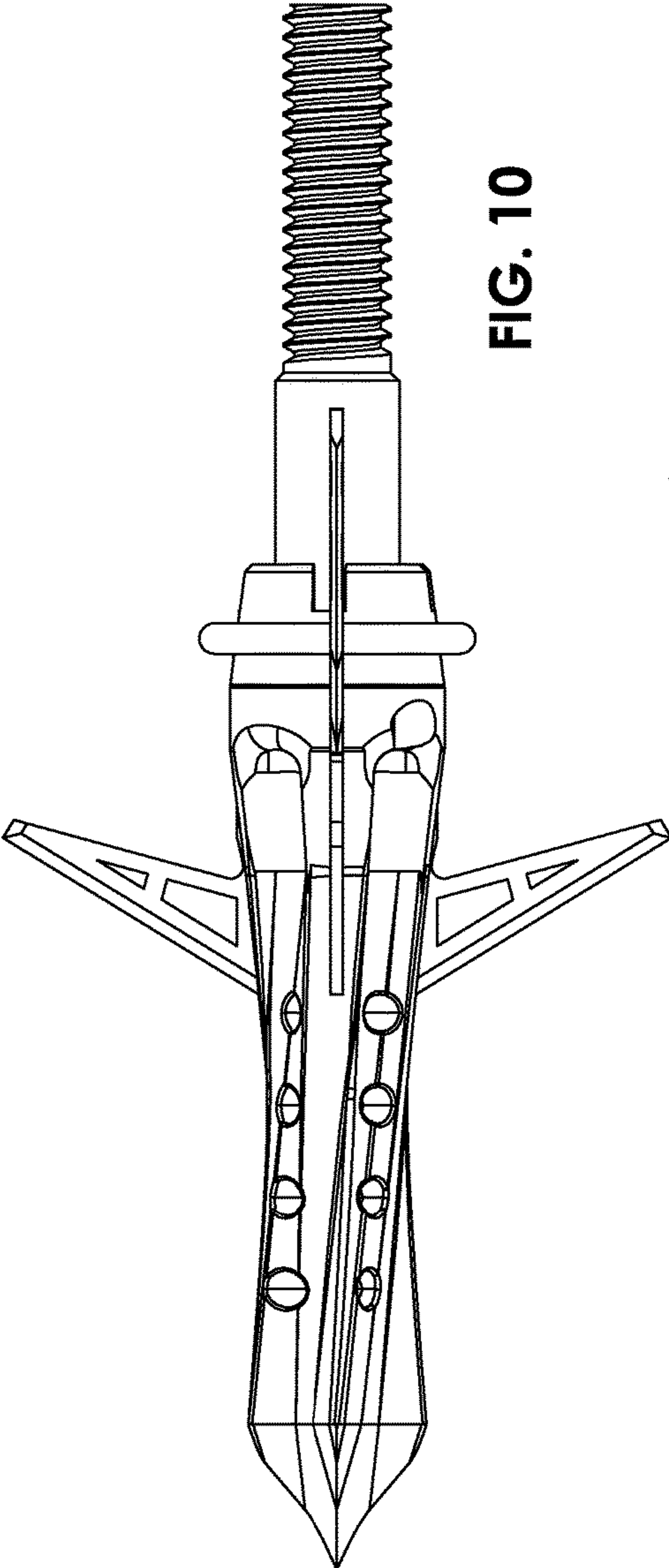


FIG. 10

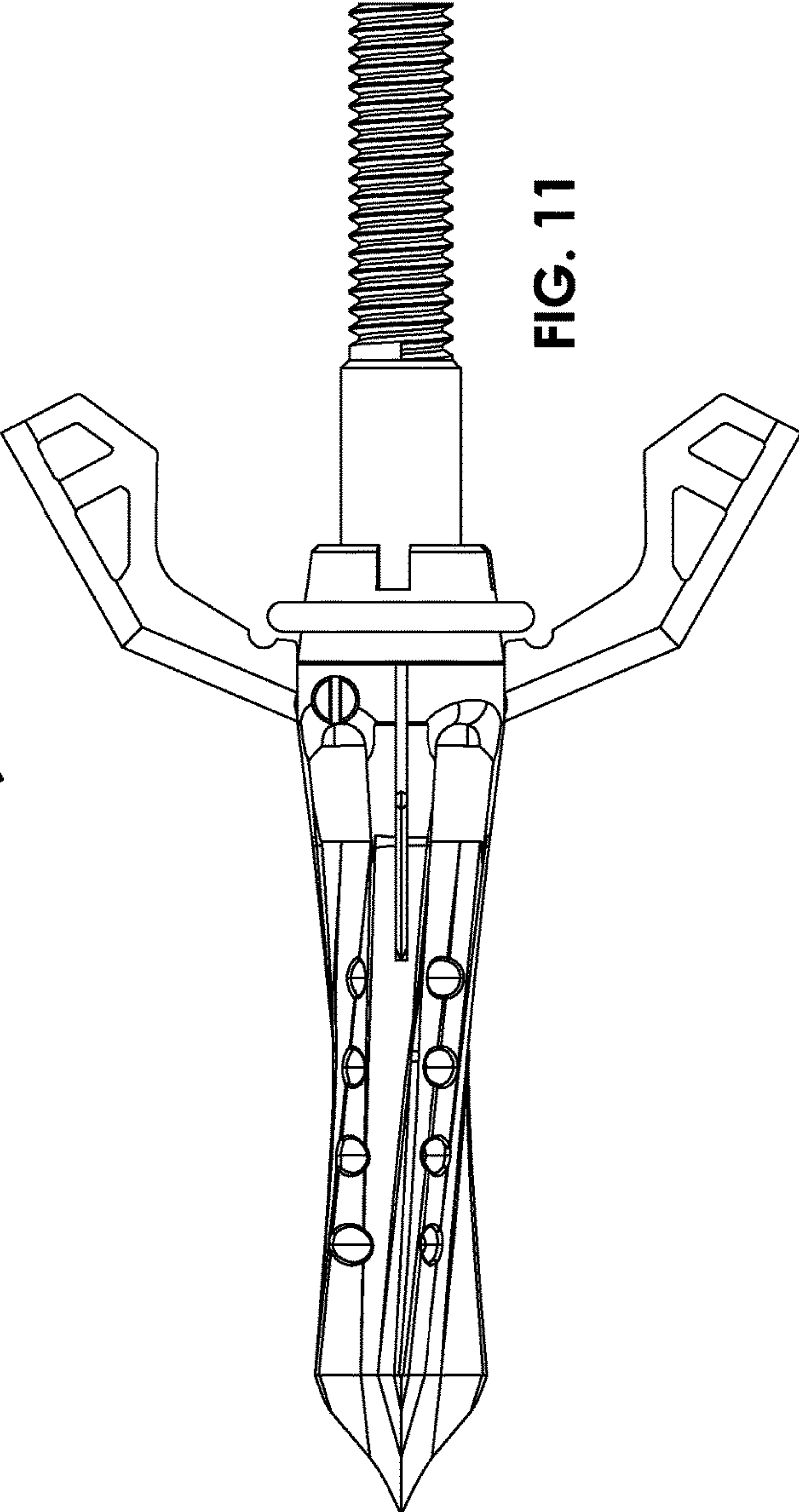


FIG. 11

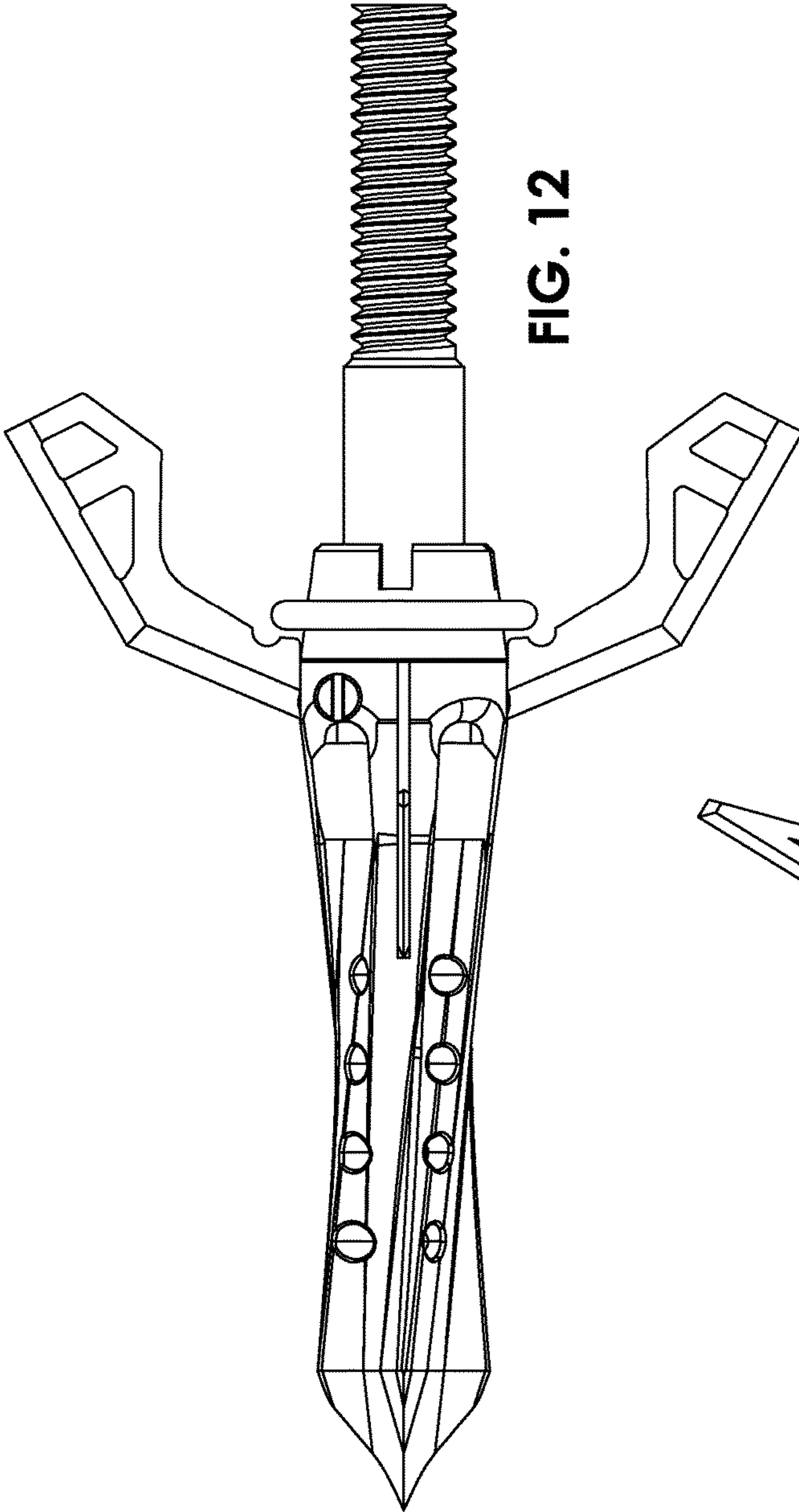


FIG. 12

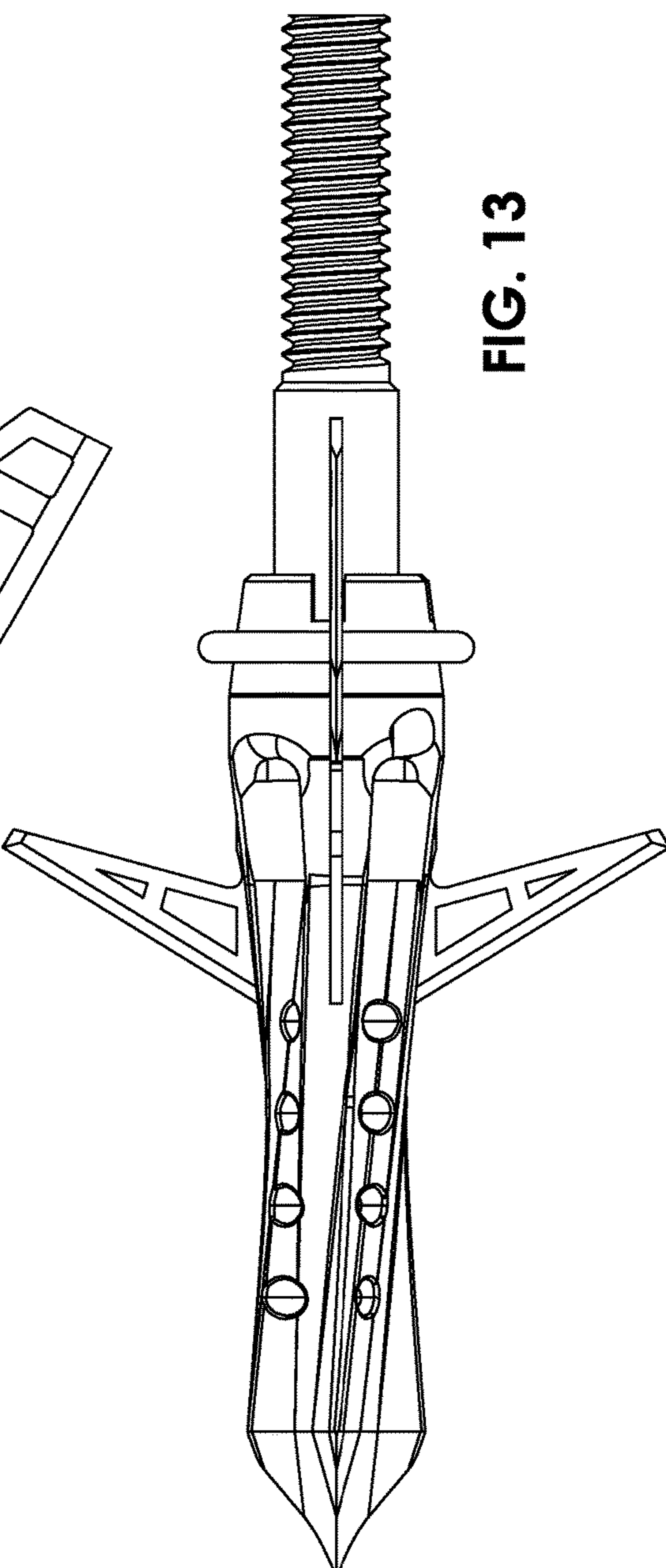


FIG. 13

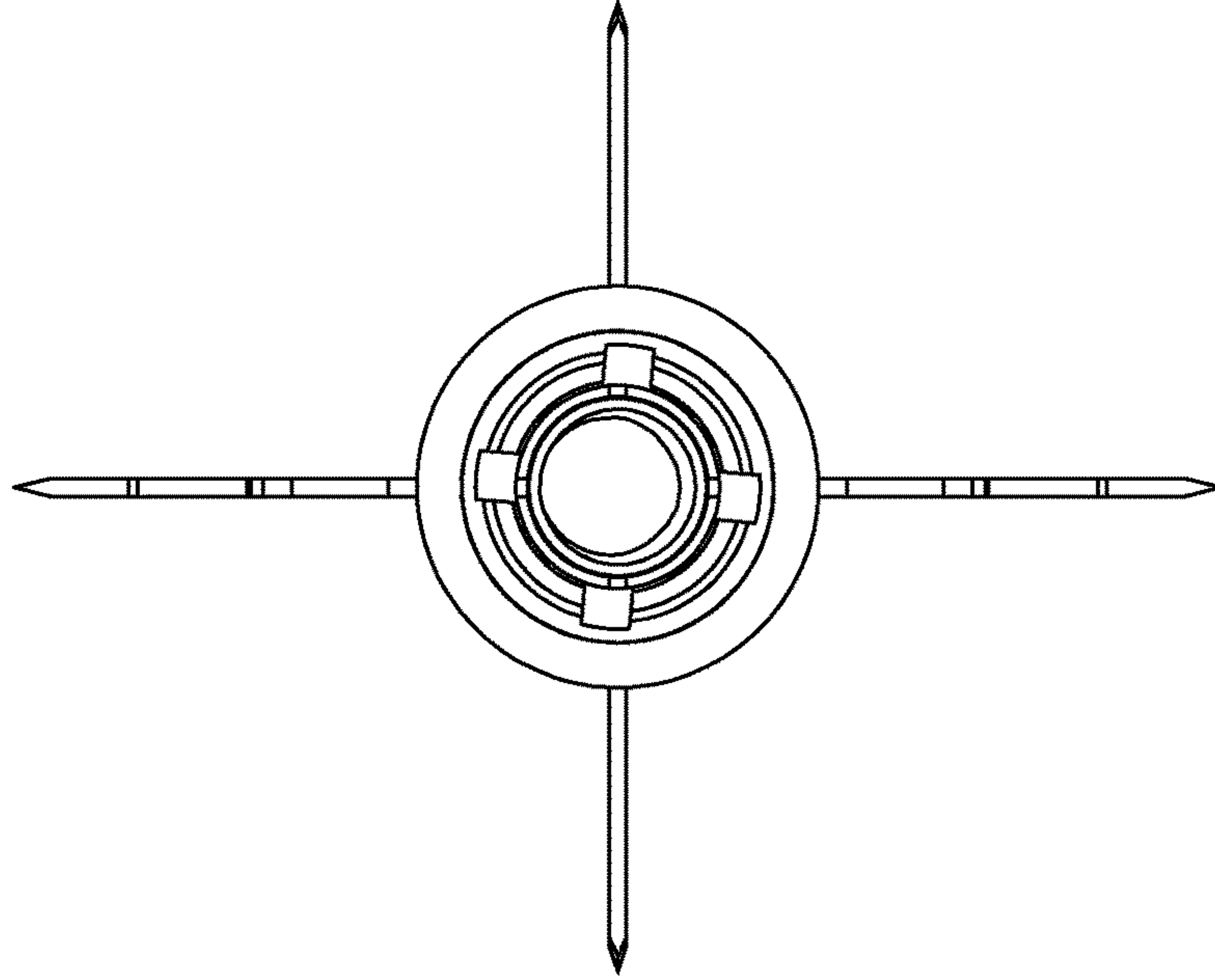


FIG. 15

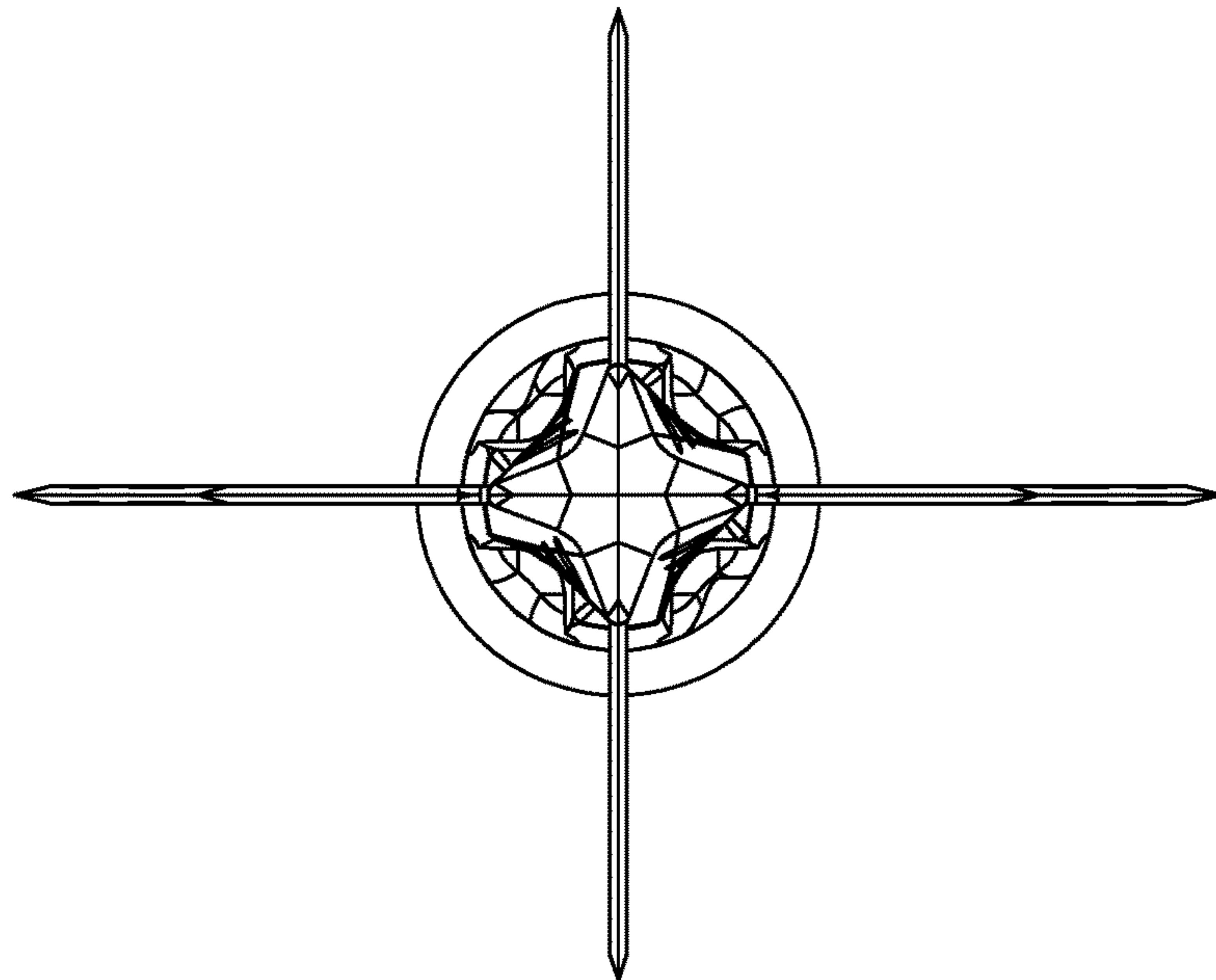


FIG. 14

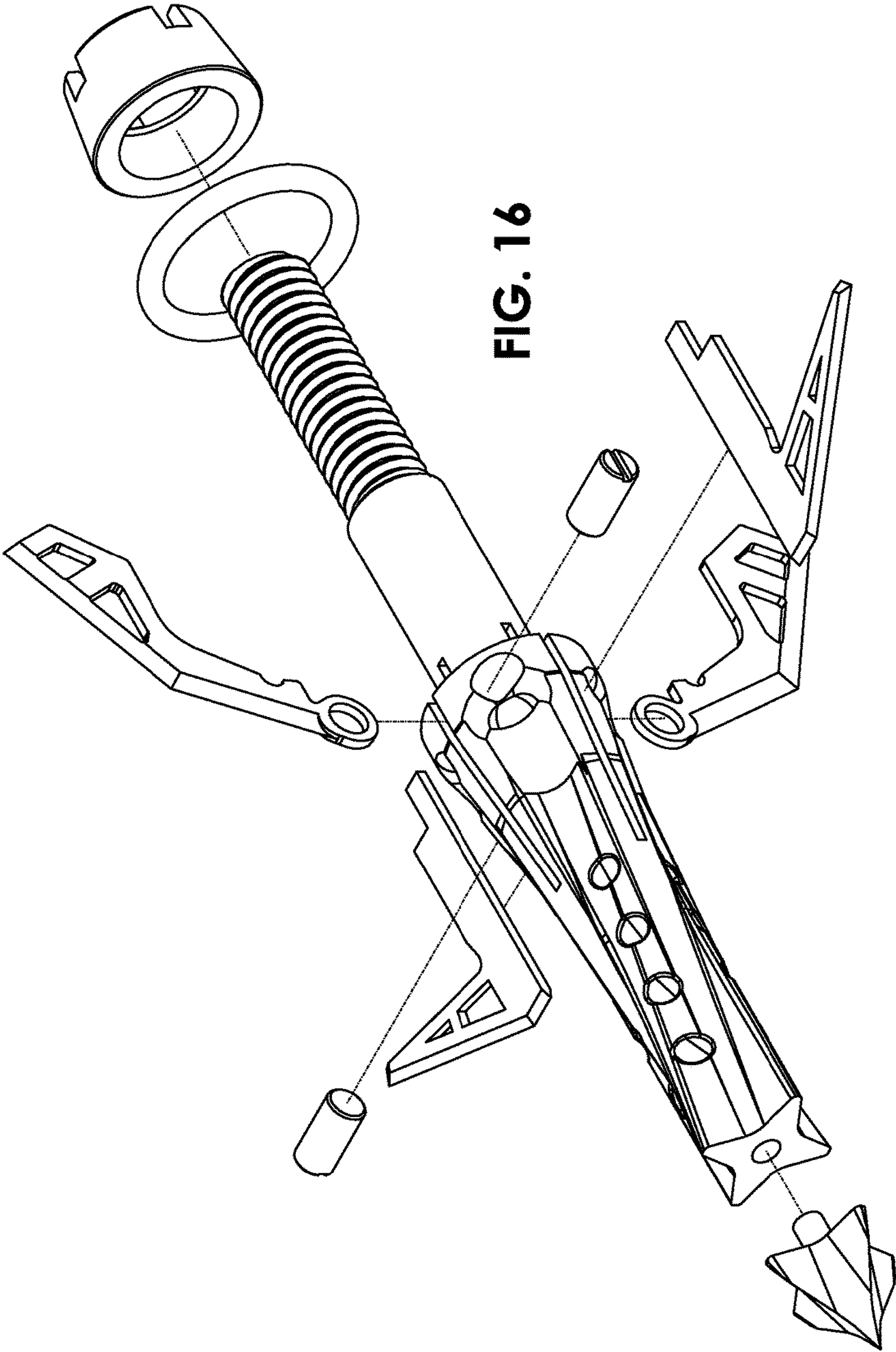


FIG. 16