



US00D847287S

(12) **United States Design Patent**
Chen

(10) **Patent No.:** **US D847,287 S**

(45) **Date of Patent:** **** Apr. 30, 2019**

- (54) **PLAYGROUND SLIDE**
- (71) Applicant: **Samuel Chen**, Hung Hom (CN)
- (72) Inventor: **Samuel Chen**, Hung Hom (CN)
- (**) Term: **15 Years**
- (21) Appl. No.: **29/627,104**
- (22) Filed: **Nov. 22, 2017**
- (51) **LOC (11) Cl.** **21-03**
- (52) **U.S. Cl.**
USPC **D21/818**
- (58) **Field of Classification Search**
USPC D21/811, 814, 818–822
CPC A63G 21/00–21/22
See application file for complete search history.

- D410,060 S * 5/1999 Zeilinger D21/818
- D435,881 S * 1/2001 Gardner D21/820
- D436,224 S * 1/2001 Gardner D21/820
- D440,623 S * 4/2001 Gardner D21/818
- 6,342,015 B1 * 1/2002 Robertson A63G 21/02
472/116
- D483,089 S * 12/2003 Johnson D21/818
- D513,779 S * 1/2006 Zeilinger D21/818
- D520,590 S * 5/2006 Zeilinger D21/818
- D522,604 S * 6/2006 Rieber D21/818
- D575,840 S * 8/2008 Sammann D21/818
- D601,220 S * 9/2009 Sammann D21/818
- 7,662,045 B2 * 2/2010 Sammann A63G 21/04
472/116
- D690,382 S * 9/2013 Kopp D21/822
- D693,419 S * 11/2013 Tukker D21/818
- 8,715,095 B2 * 5/2014 Hsieh A63G 1/12
472/116
- 8,777,767 B2 * 7/2014 Kopp A63G 9/00
472/136
- D832,966 S * 11/2018 Nelson et al. D21/818

* cited by examiner

Primary Examiner — Mitchell I. Siegel

(74) *Attorney, Agent, or Firm* — Clement Cheng

(56) **References Cited**

U.S. PATENT DOCUMENTS

- D224,247 S * 7/1972 Jamison D21/818
- D260,543 S * 9/1981 Ament D21/820
- 4,369,965 A * 1/1983 Ahrens A63B 9/00
482/35
- D268,693 S * 4/1983 Works D21/822
- D268,858 S * 5/1983 Works D21/822
- D277,222 S * 1/1985 Mower D21/822
- D330,743 S * 11/1992 Mercer D21/818
- D336,674 S * 6/1993 Baer D21/818
- D343,438 S * 1/1994 Fish, Jr. D21/818
- D347,458 S * 5/1994 Cunard D21/818
- D363,521 S * 10/1995 Gilles D21/818
- 5,496,232 A * 3/1996 Morris A63B 9/00
482/148
- D377,203 S * 1/1997 Jaeb D21/820
- 5,688,180 A * 11/1997 Siragusa, Jr. A63G 21/00
472/116
- D400,948 S * 11/1998 Fish, Jr. D21/818
- 5,842,926 A * 12/1998 Rodriguez-Ferre A63G 21/00
472/116
- D410,059 S * 5/1999 Zeilinger D21/818

(57) **CLAIM**

The ornamental design for a playground slide, as shown and described.

DESCRIPTION

FIG. 1 is a perspective view.

FIG. 2 is a left view.

FIG. 3 is a right view.

FIG. 4 is a bottom view.

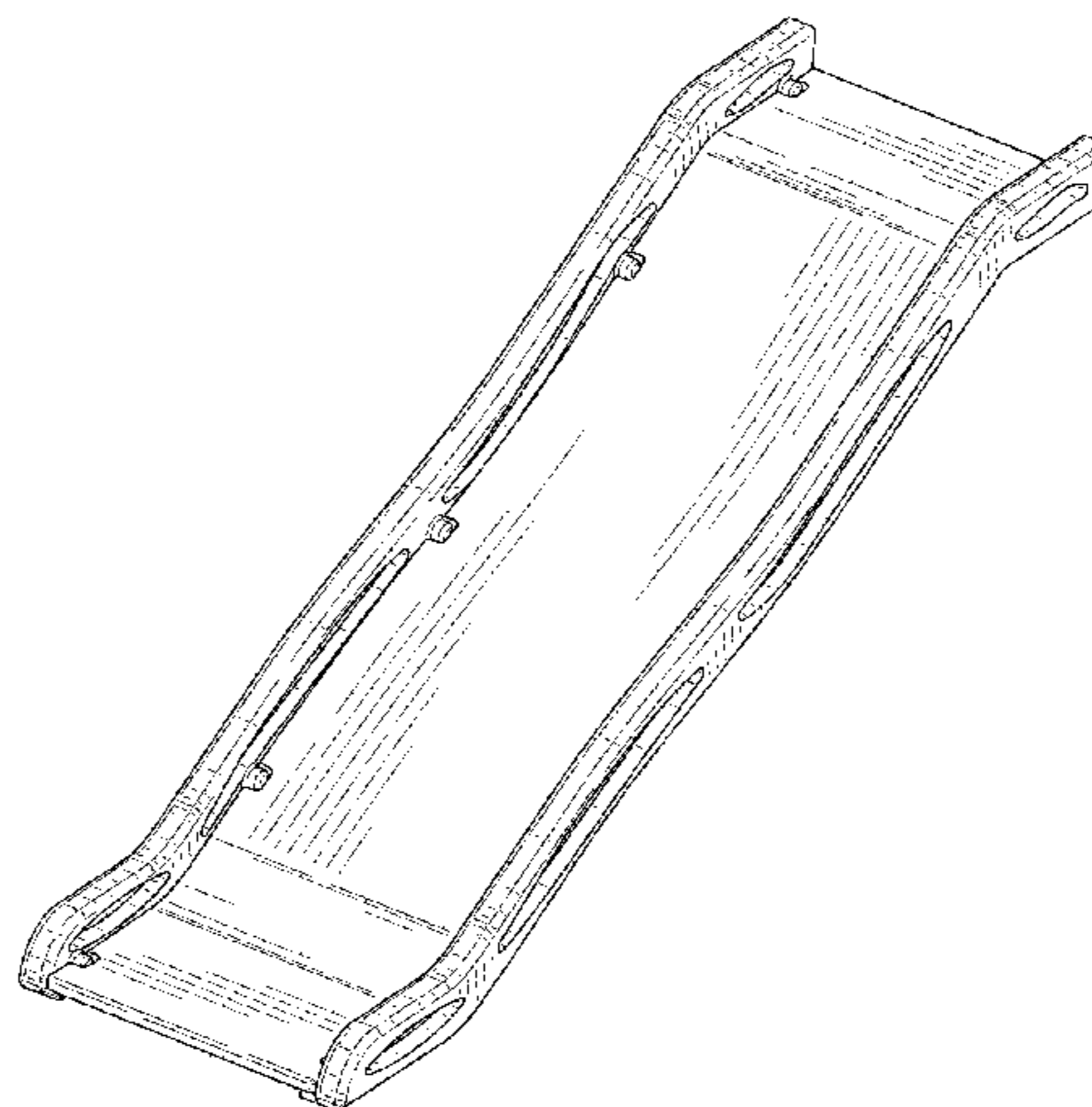
FIG. 5 is a top view.

FIG. 6 is a front view; and,

FIG. 7 is a rear view.

The broken line disclosure forms no part of the claimed invention.

1 Claim, 5 Drawing Sheets



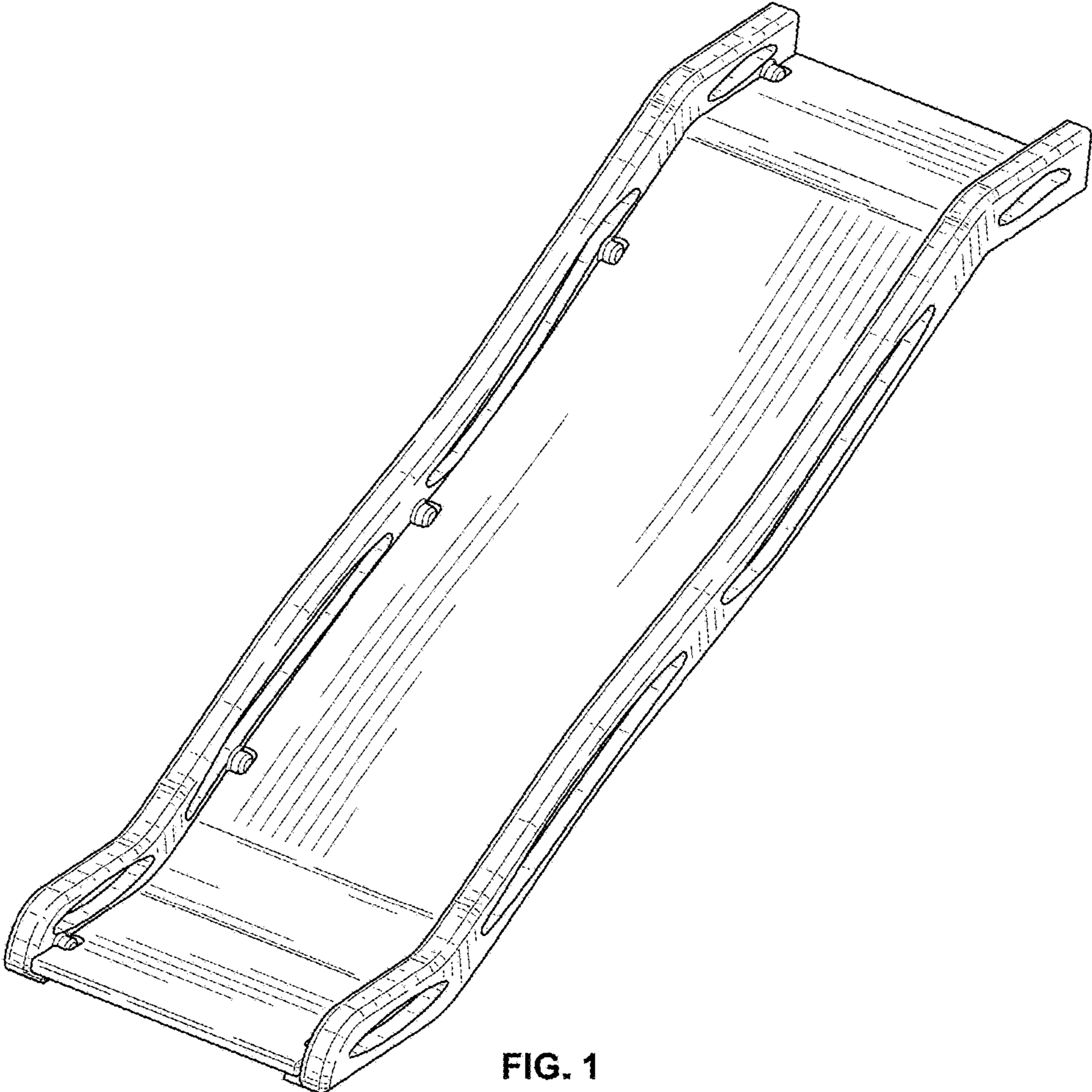


FIG. 1

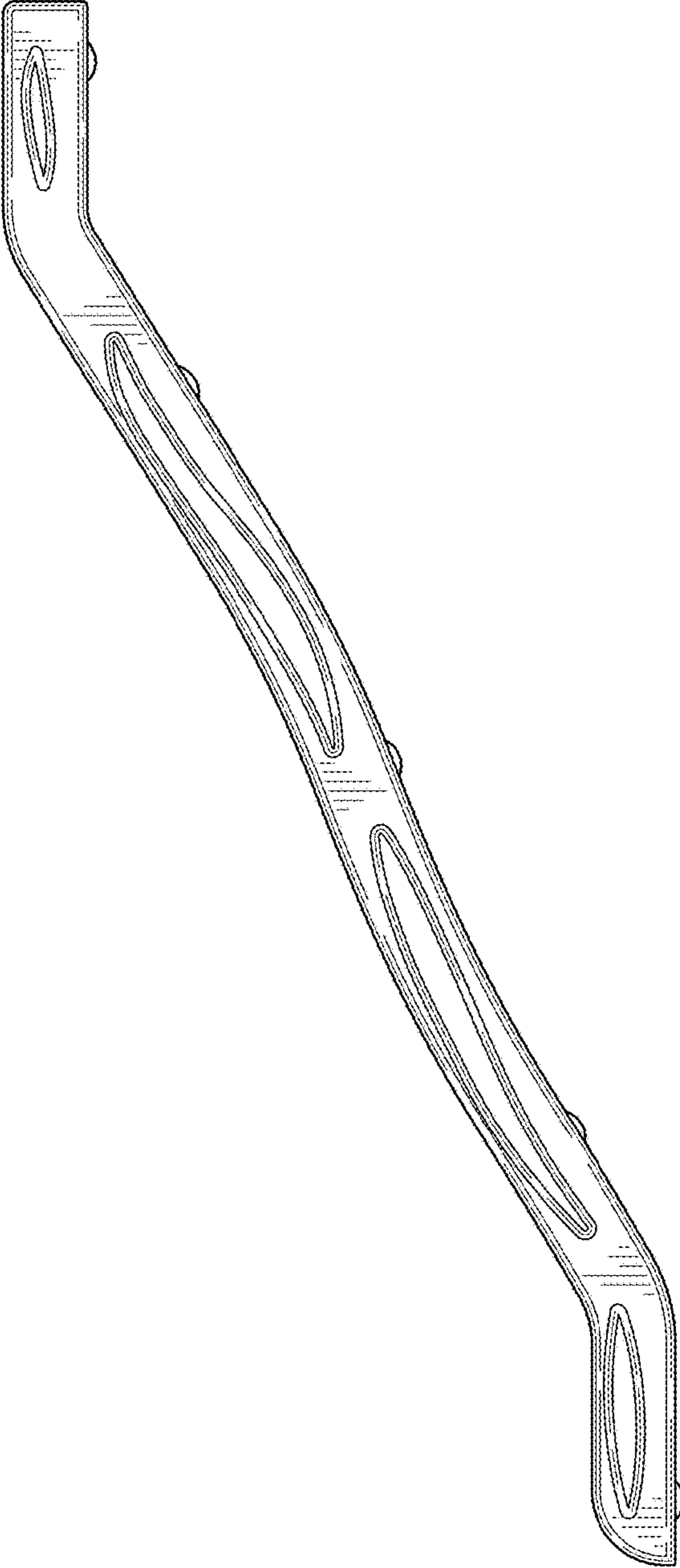


FIG. 2

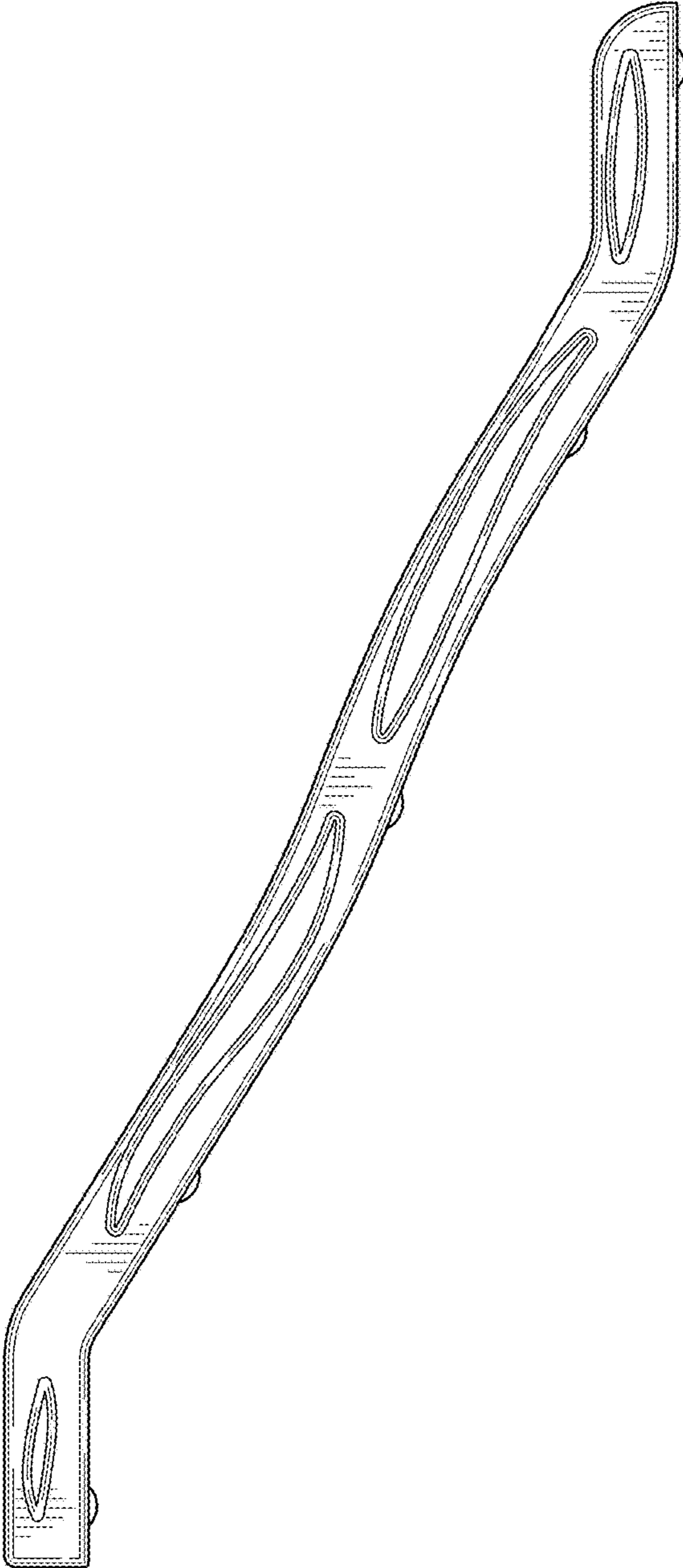


FIG. 3

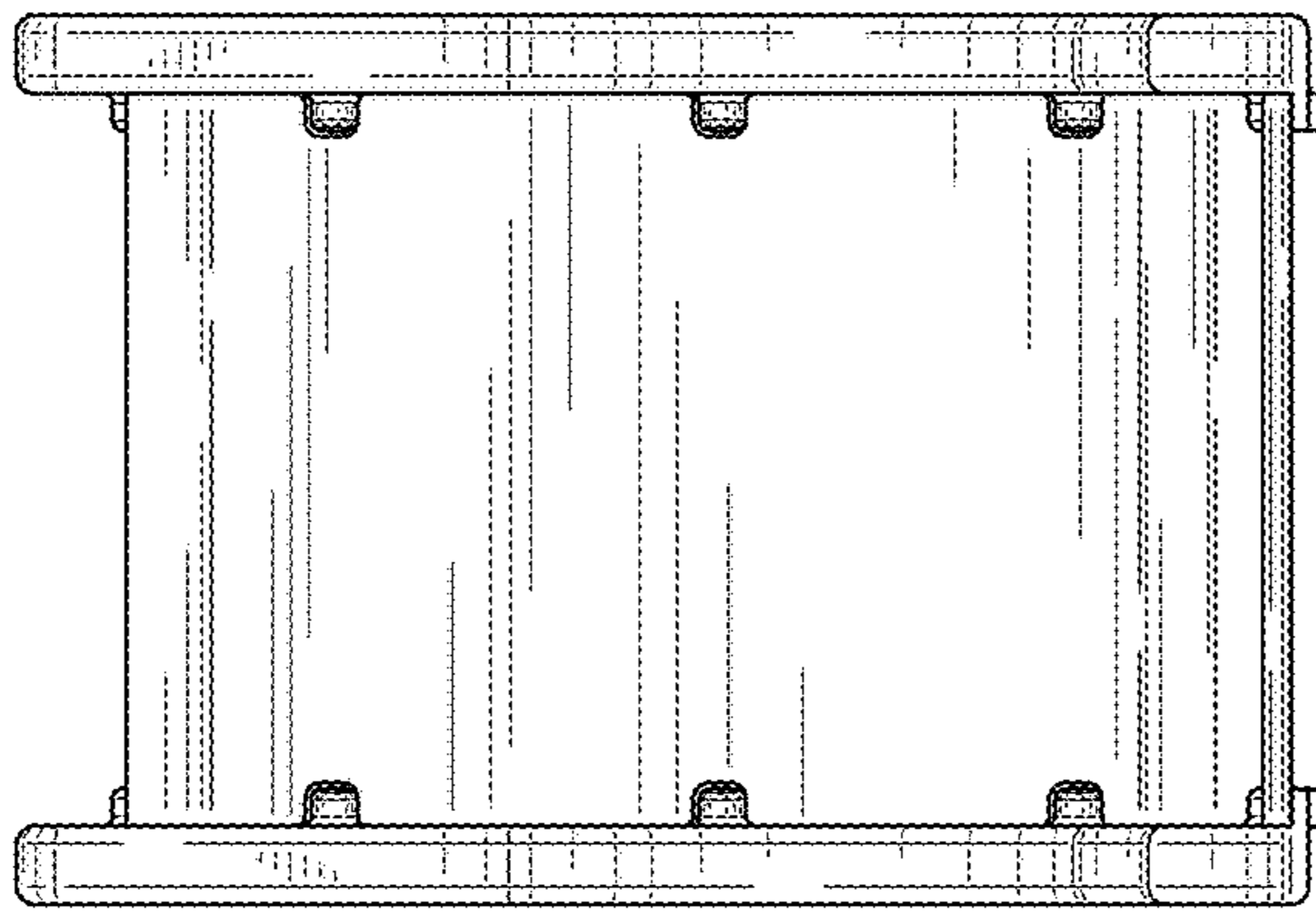


FIG. 5

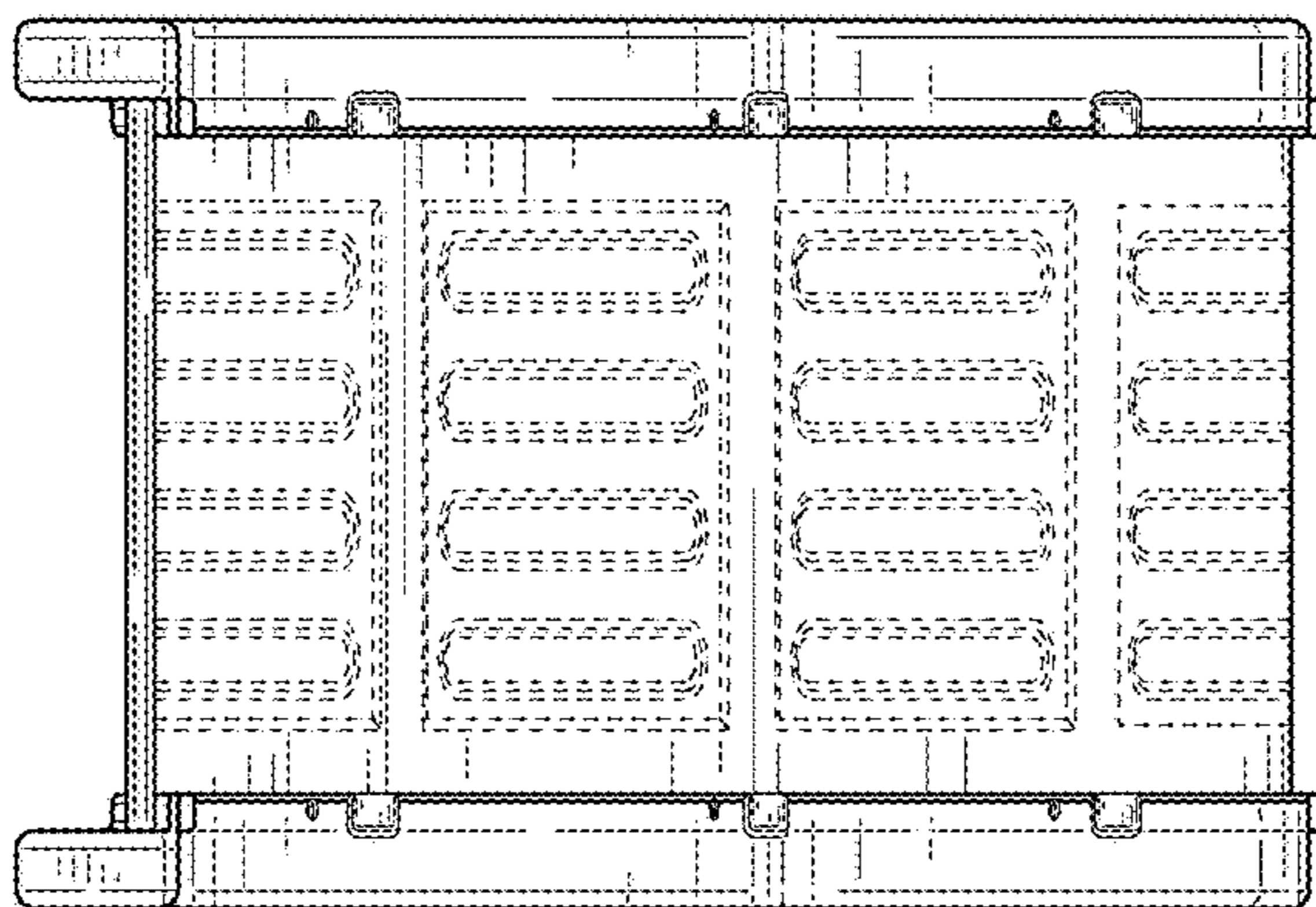


FIG. 4

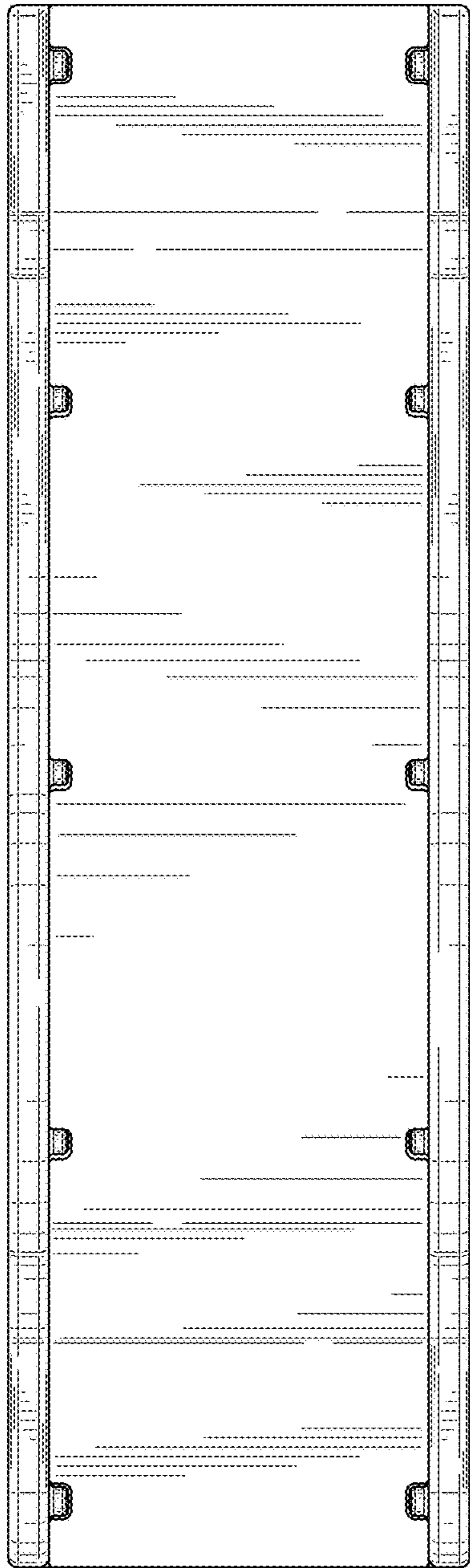


FIG. 6

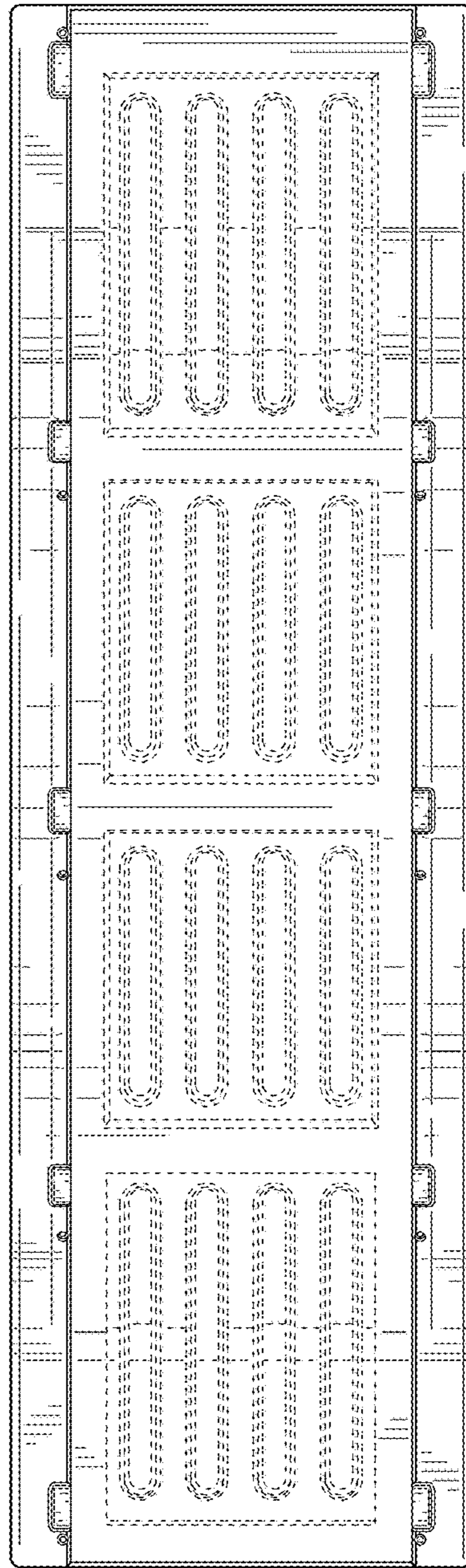


FIG. 7