



US00D847285S

(12) **United States Design Patent**  
**Ma**

(10) **Patent No.:** **US D847,285 S**

(45) **Date of Patent:** **\*\* Apr. 30, 2019**

- (54) **FOOT-DECK BASED VEHICLE**
- (71) Applicant: **KOOFY INNOVATION LIMITED**,  
Central, Sheung Wan (CN)
- (72) Inventor: **Ondy Song Qi Ma**, Hong Kong (CN)
- (73) Assignee: **KOOFY INNOVATION LIMITED**,  
Hong Kong (CN)
- (\*\*) Term: **15 Years**
- (21) Appl. No.: **29/669,293**
- (22) Filed: **Nov. 7, 2018**

D815,228 S \* 4/2018 Ma ..... D21/765  
 D821,517 S \* 6/2018 Doerksen ..... D21/765  
 10,010,784 B1 \* 7/2018 Doerksen ..... A63C 17/0046  
 D827,747 S \* 9/2018 Ma ..... D21/765

\* cited by examiner

*Primary Examiner* — Robin V Webster

*Assistant Examiner* — Keith J Wilson

(74) *Attorney, Agent, or Firm* — Millman IP Inc.

(57) **CLAIM**

The ornamental design for a foot-deck based vehicle, as shown and described.

**Related U.S. Application Data**

- (62) Division of application No. 29/636,683, filed on Feb. 9, 2018.
- (51) **LOC (11) Cl.** ..... **21-02**
- (52) **U.S. Cl.**  
USPC ..... **D21/765**
- (58) **Field of Classification Search**  
USPC ..... D21/419, 421, 423, 426, 662, 760, 765,  
D21/766, 769, 771, 776, 803  
CPC ..... A63C 17/01; A63C 17/011; A63C 17/012;  
A63C 17/014; A63C 17/015; A63C  
17/02; A63C 17/26; A63C 5/003; B60Q  
1/326  
See application file for complete search history.

**DESCRIPTION**

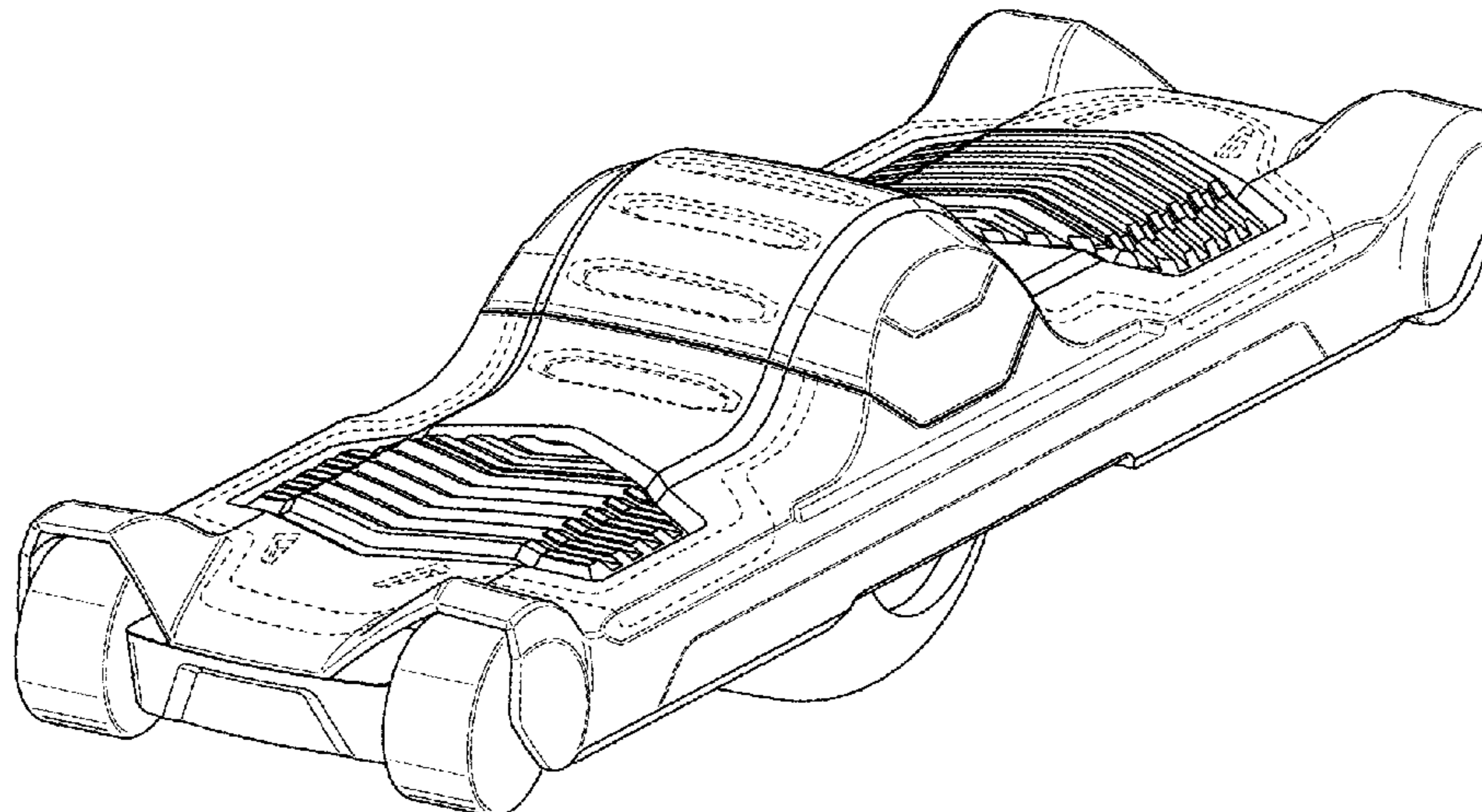
FIG. 1 is a perspective view from above, to the front and to the left side of a first embodiment of a new design for a foot-deck based vehicle;  
 FIG. 2 is a top plan view thereof;  
 FIG. 3 is a bottom plan view thereof  
 FIG. 4 is a right side elevation view thereof;  
 FIG. 5 is a left side elevation view thereof;  
 FIG. 6 is a front elevation view thereof;  
 FIG. 7 is a rear elevation view thereof;  
 FIG. 8 is a perspective view from above, to the front and to the left side of a second embodiment of a new design for a foot-deck based vehicle;  
 FIG. 9 is a top plan view thereof;  
 FIG. 10 is a bottom plan view thereof  
 FIG. 11 is a right side elevation view thereof;  
 FIG. 12 is a left side elevation view thereof;  
 FIG. 13 is a front elevation view thereof; and,  
 FIG. 14 is a rear elevation view thereof.  
 The broken lines shown in the drawings are for illustration only and form no part of the claimed design.

(56) **References Cited**

**U.S. PATENT DOCUMENTS**

D580,132 S \* 11/2008 Lin ..... D2/946  
 D785,737 S \* 5/2017 Meak ..... D21/765  
 D797,875 S \* 9/2017 Ma ..... D21/760  
 D802,693 S \* 11/2017 Lu ..... D21/765  
 D815,227 S \* 4/2018 Ma ..... D21/765

**1 Claim, 8 Drawing Sheets**



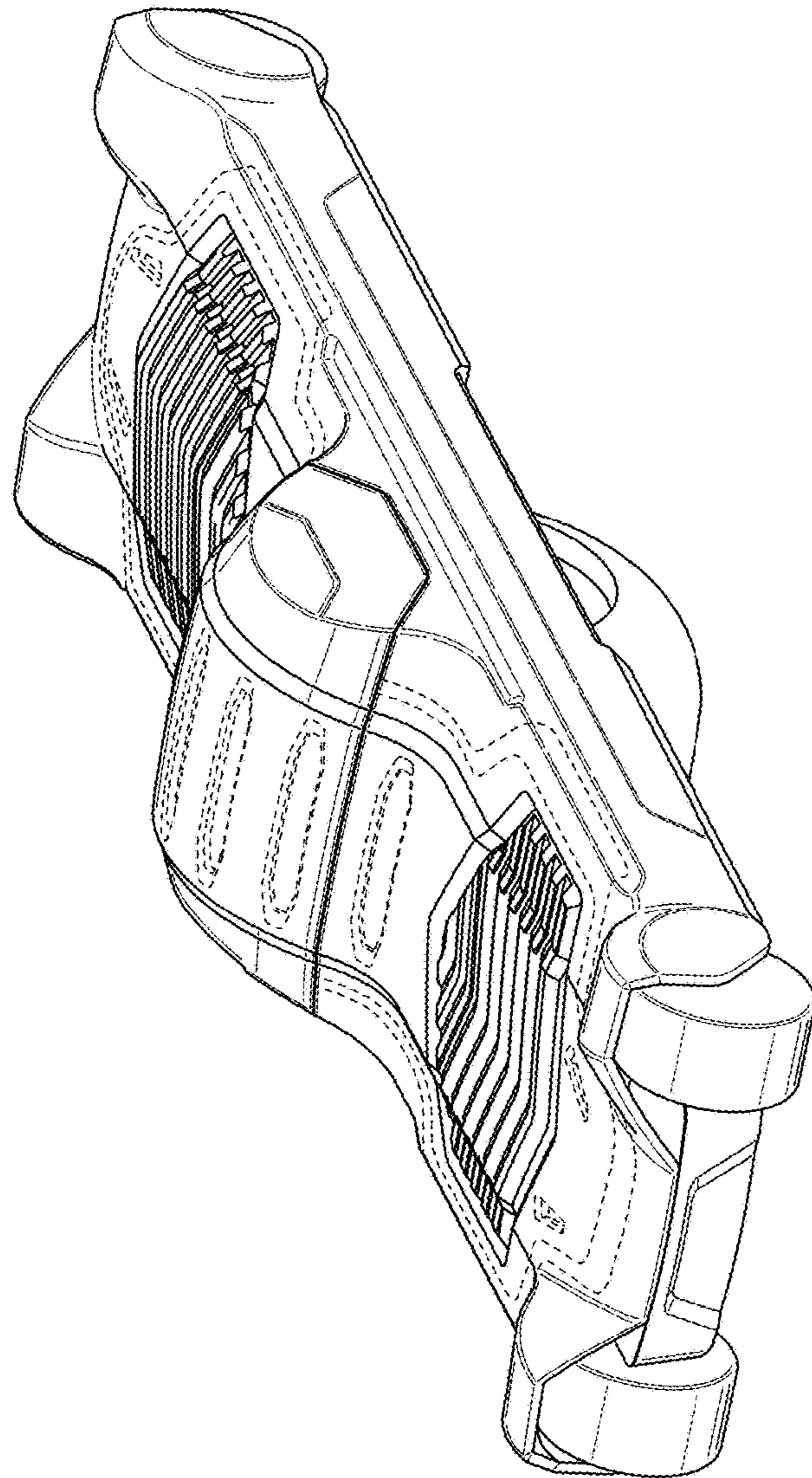


FIG. 1

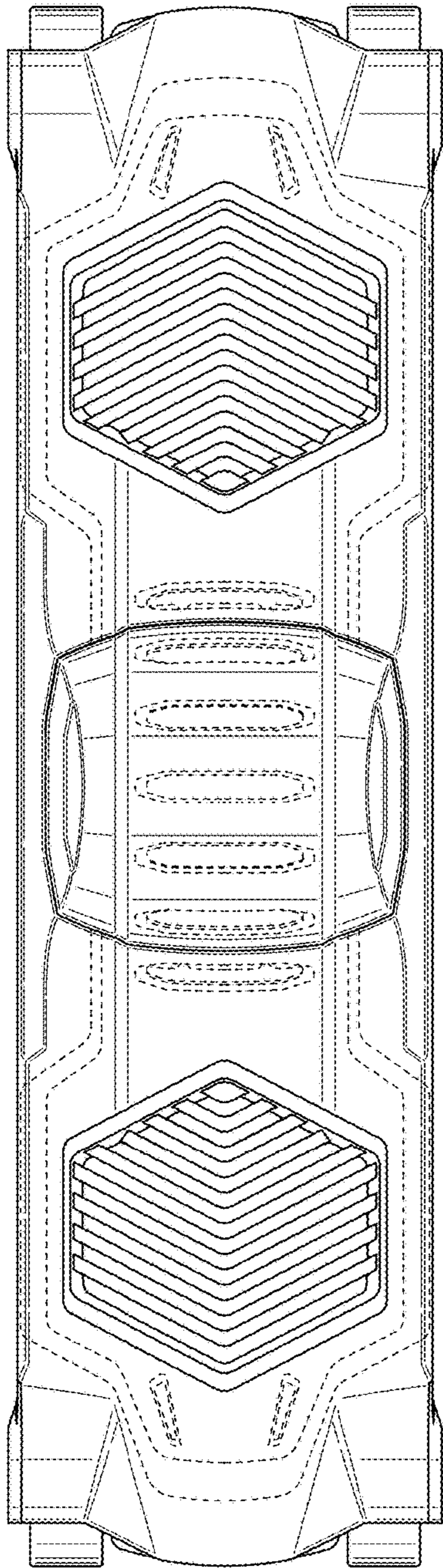


FIG. 2

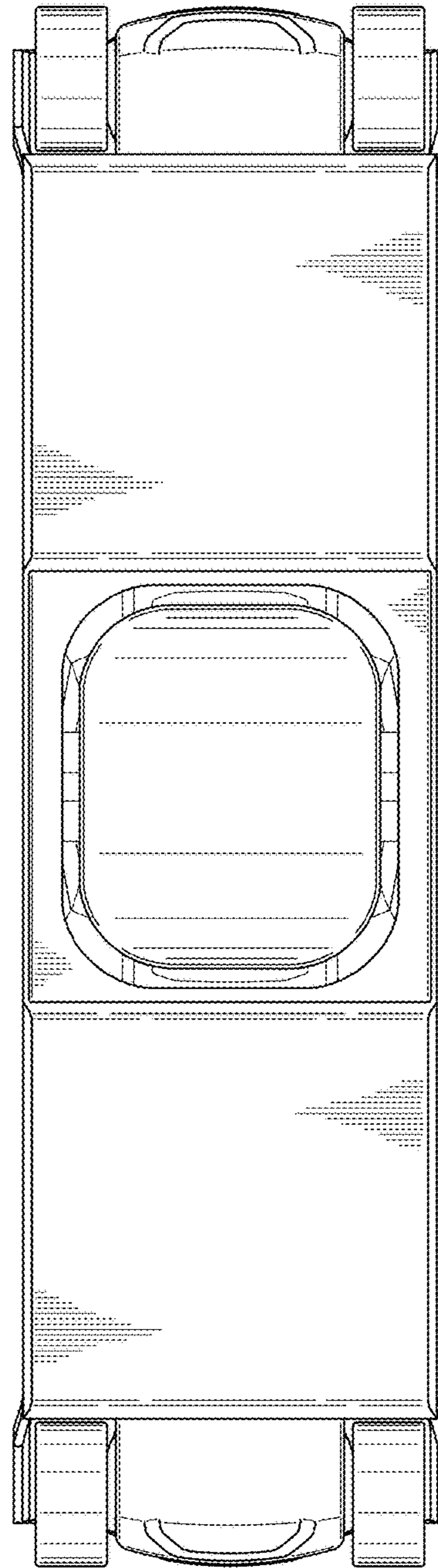


FIG. 3

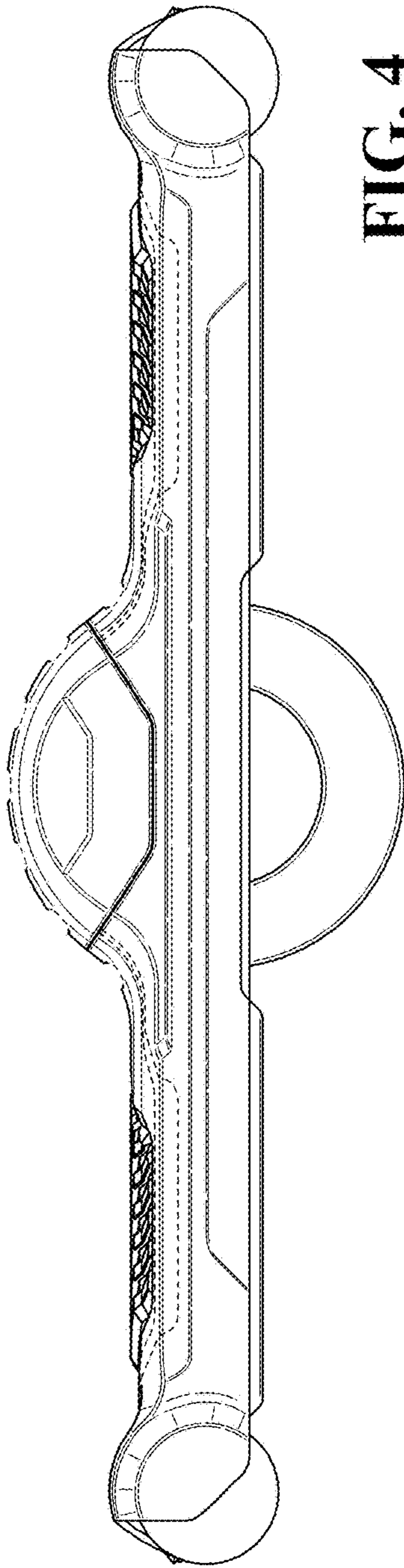


FIG. 4

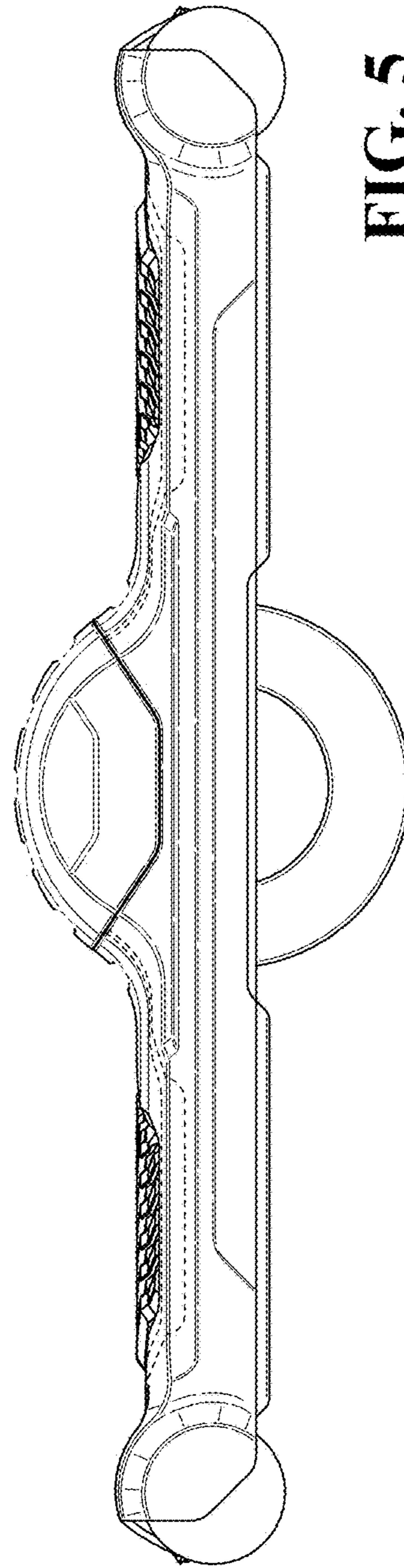


FIG. 5

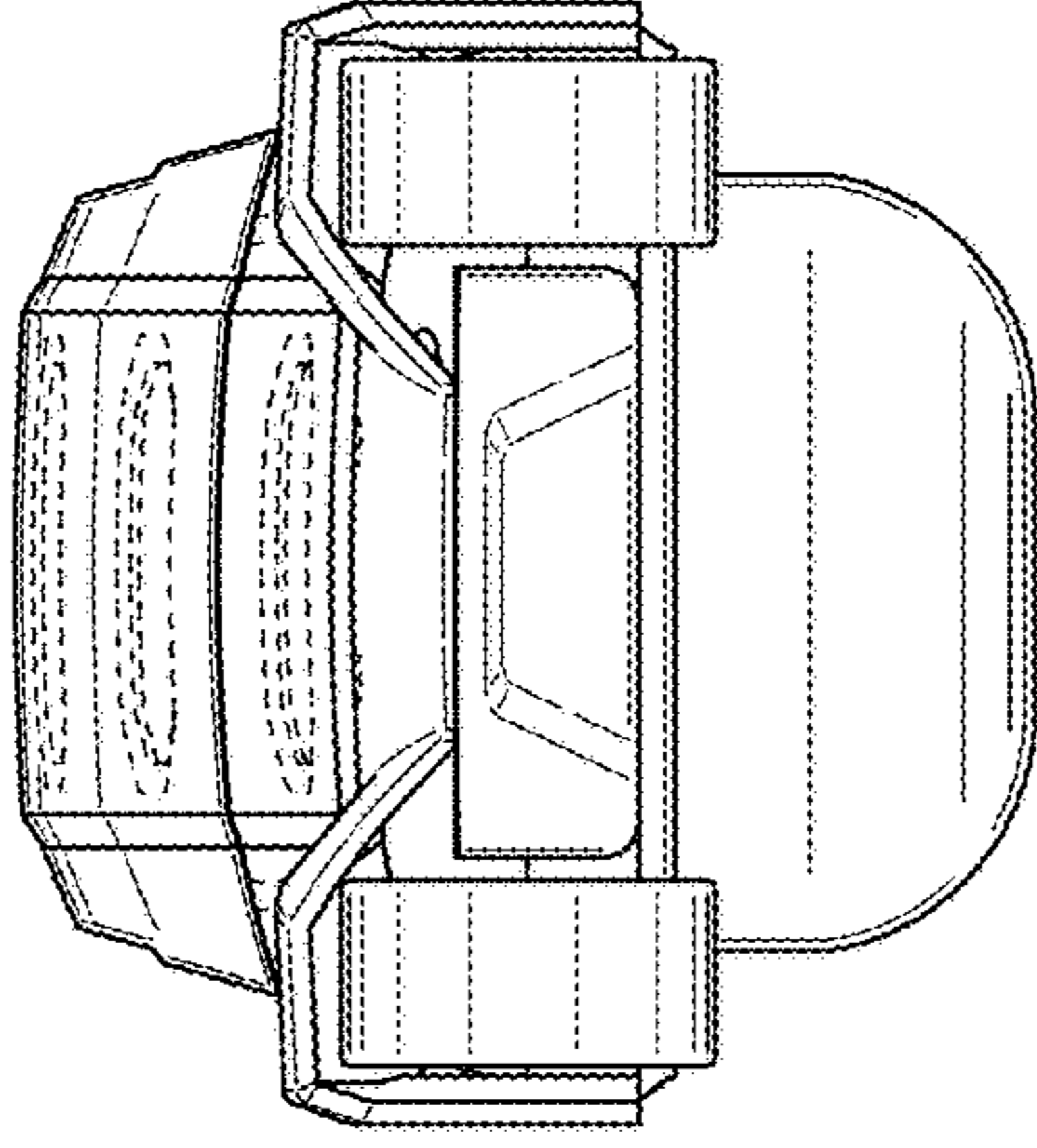


FIG. 6

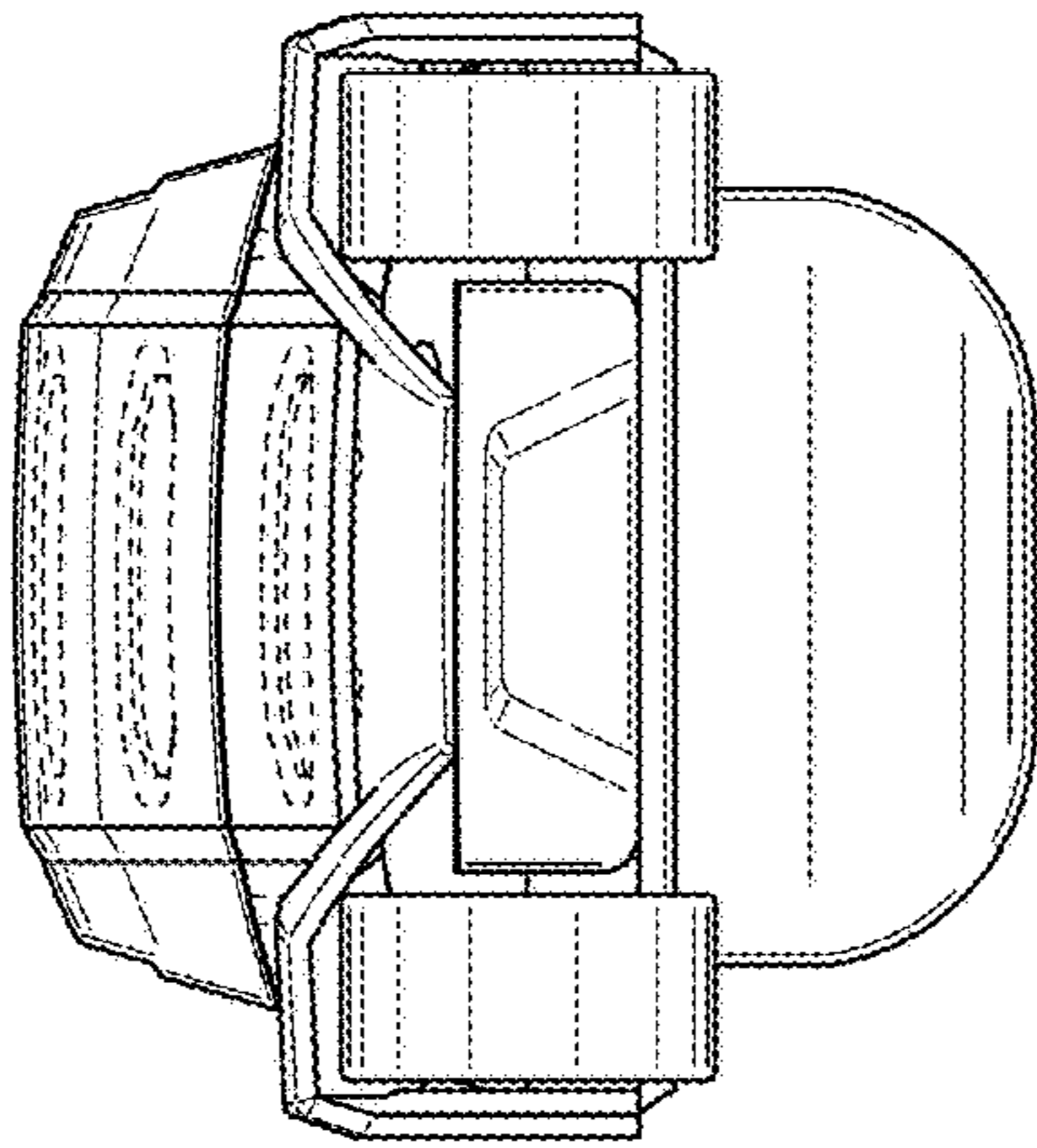


FIG. 7

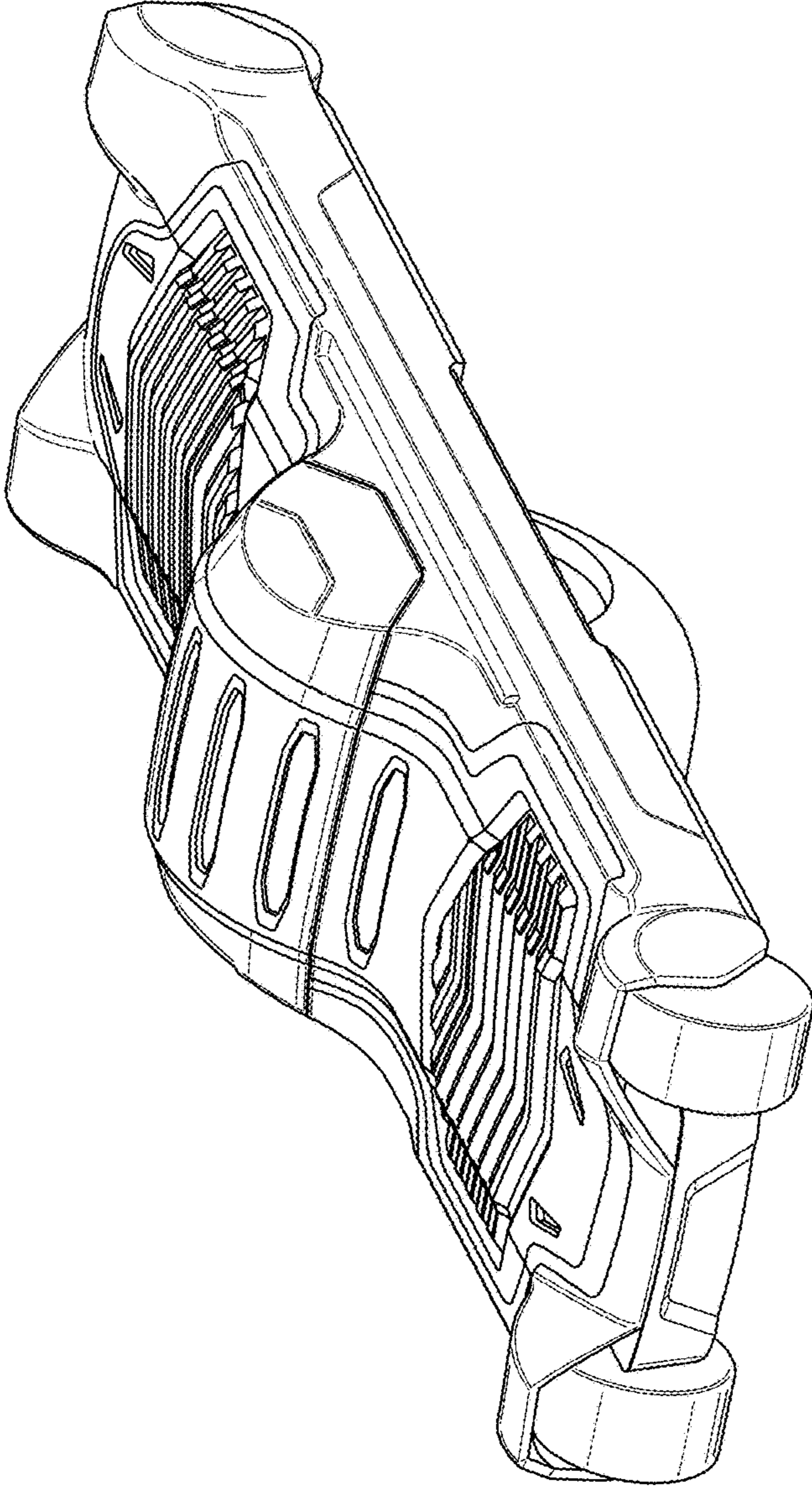


FIG. 8

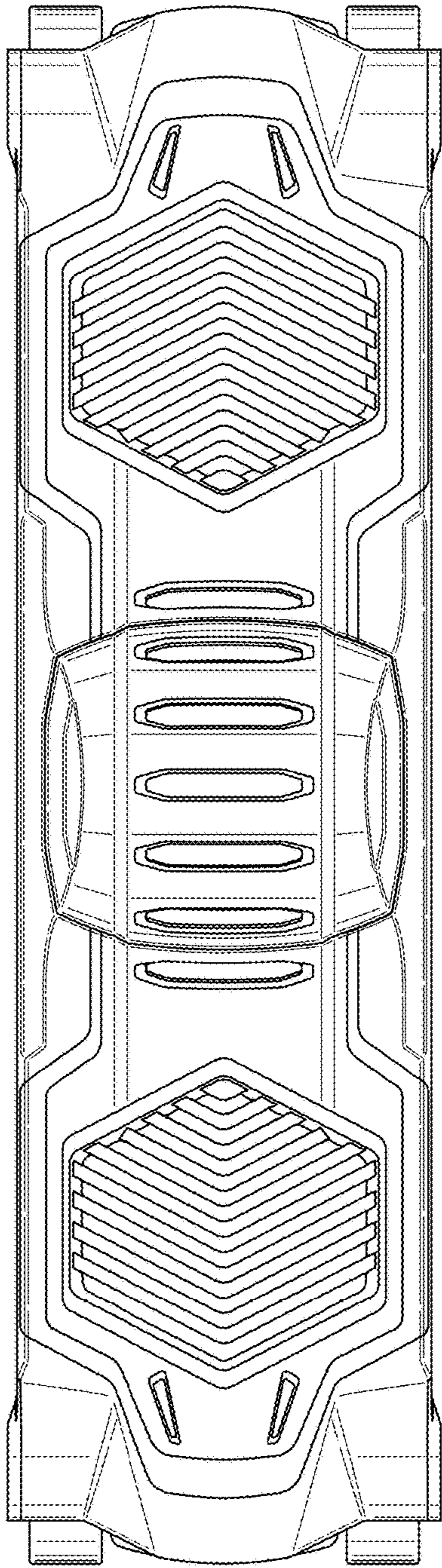


FIG. 9

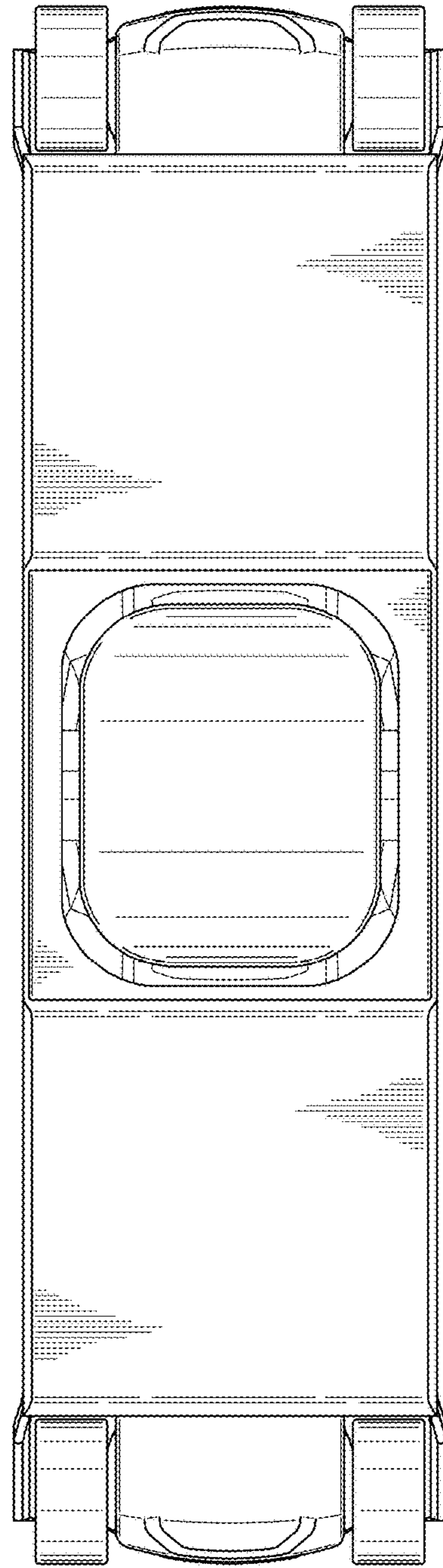
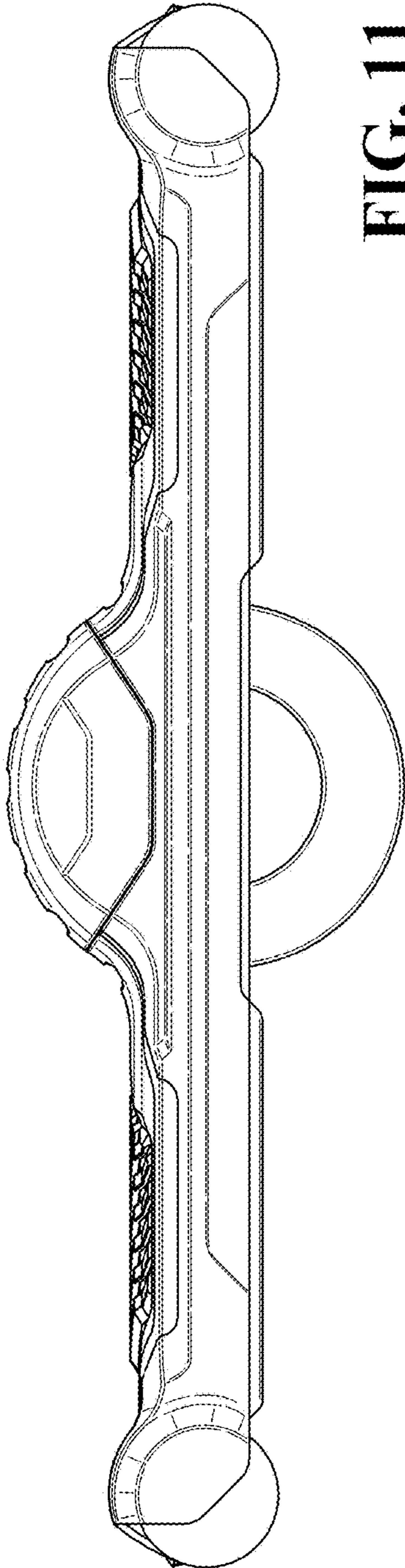
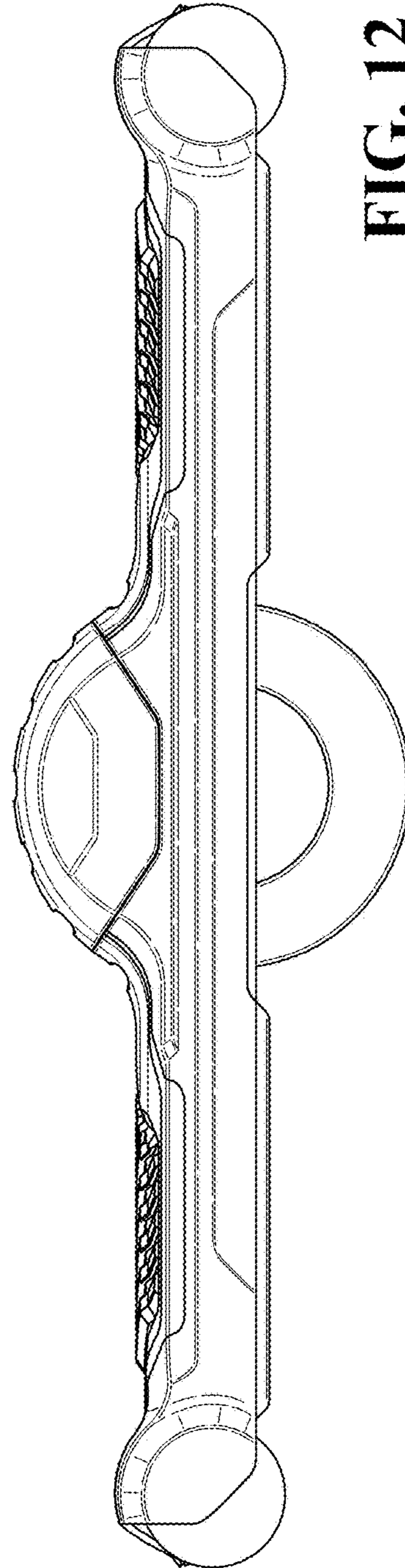


FIG. 10

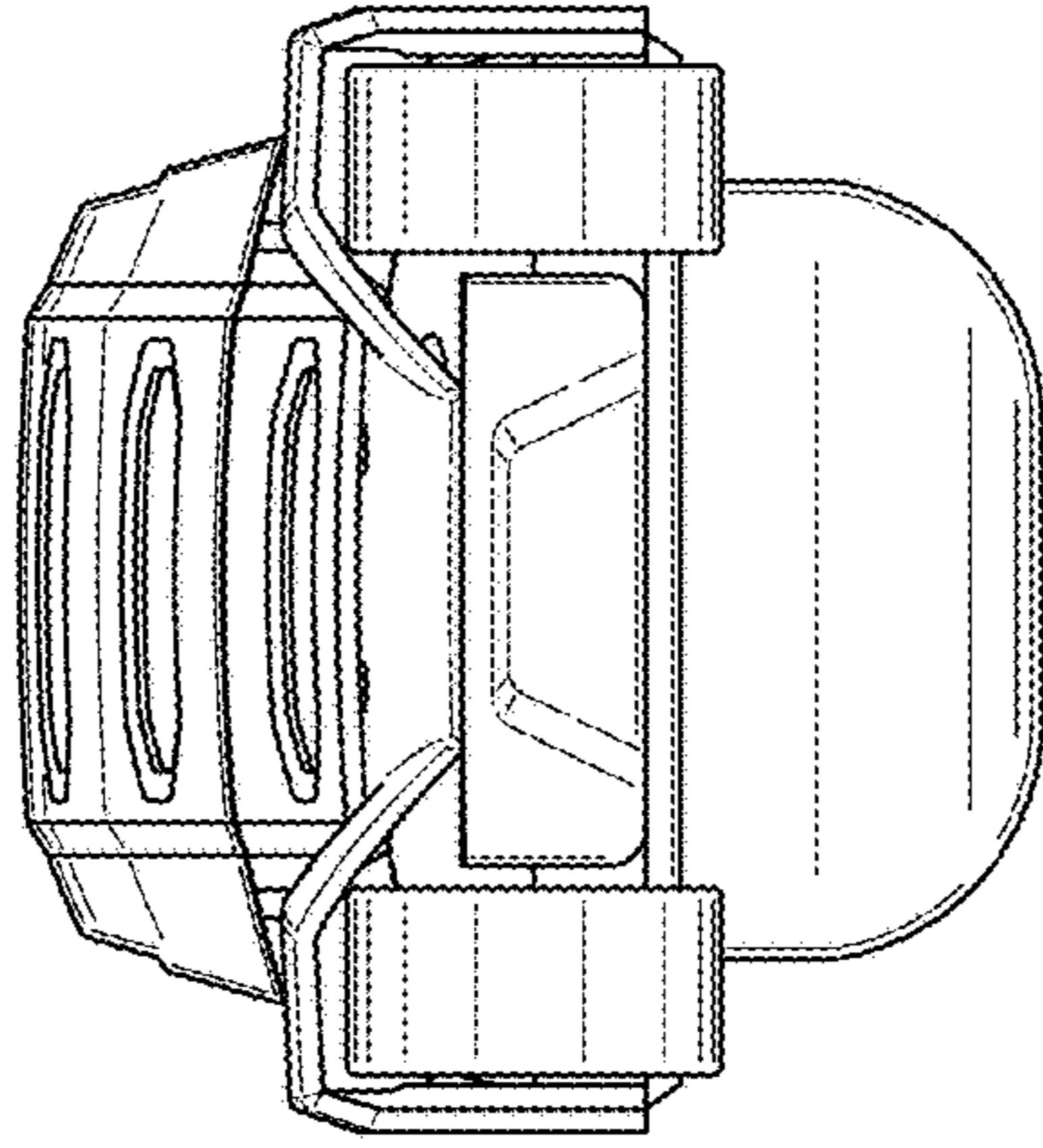


**FIG. 11**

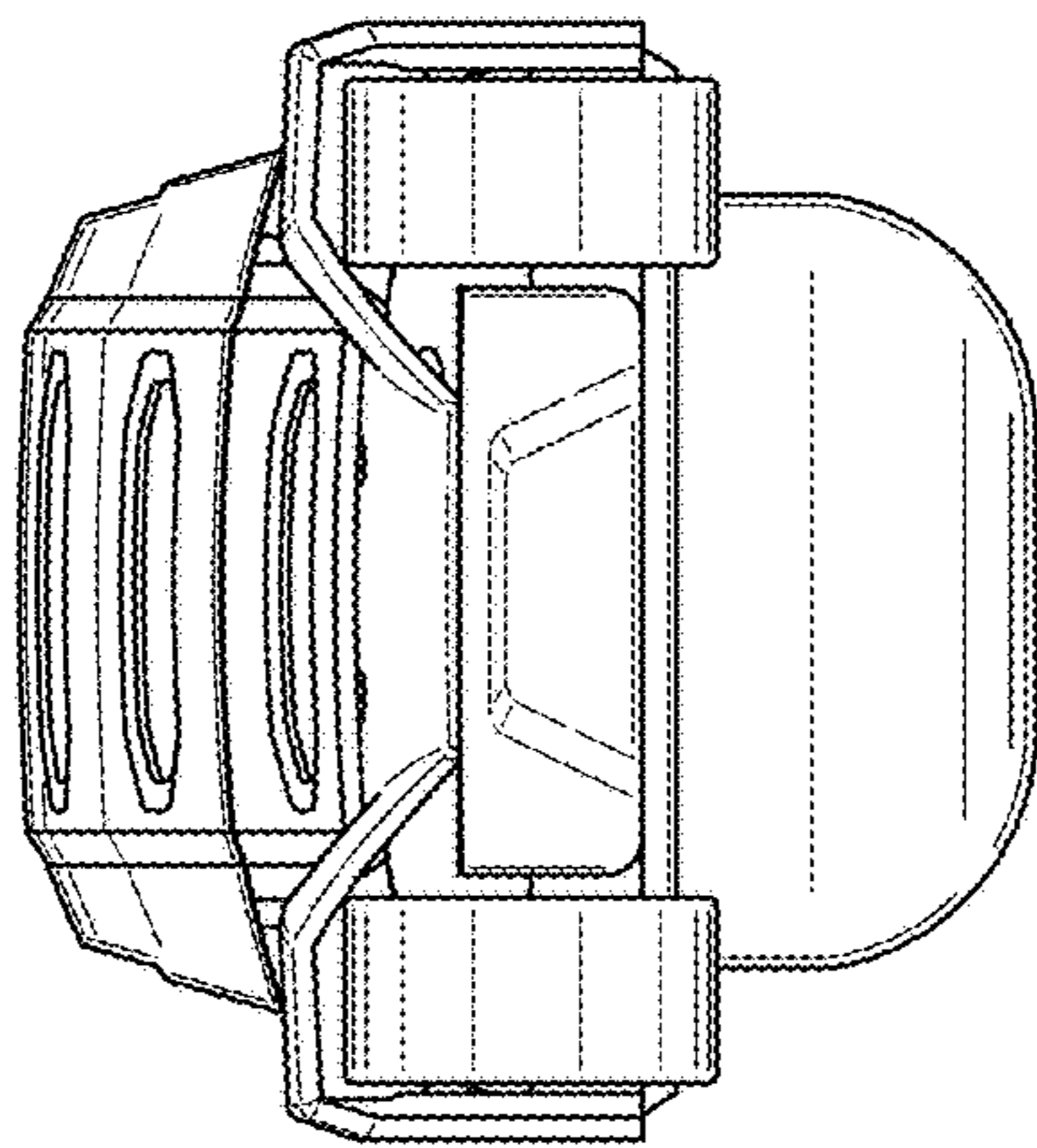


**FIG. 12**





**FIG. 13**



**FIG. 14**