



US00D847284S

(12) **United States Design Patent**
Ivanova

(10) **Patent No.:** **US D847,284 S**

(45) **Date of Patent:** **** Apr. 30, 2019**

(54) **GOLF CLUB FACE**

(71) Applicant: **Callaway Golf Company**, Carlsbad, CA (US)

(72) Inventor: **Irina Ivanova**, San Marcos, CA (US)

(73) Assignee: **Callaway Golf Company**, Carlsbad, CA (US)

(**) Term: **15 Years**

(21) Appl. No.: **29/634,681**

(22) Filed: **Jan. 24, 2018**

Related U.S. Application Data

(62) Division of application No. 29/568,332, filed on Jun. 16, 2016, now Pat. No. Des. 812,167.

(51) **LOC (11) Cl.** **21-02**

(52) **U.S. Cl.**
USPC **D21/759**

(58) **Field of Classification Search**
USPC D21/747-751, 759
CPC A63B 53/00; A63B 53/02; A63B 53/04;
A63B 53/047; A63B 53/0475; A63B
2053/0479; A63B 2053/0483; A63B
2053/0445; A63B 2053/0458; A63B
60/00; A63B 60/46

See application file for complete search history.

(56) **References Cited**

U.S. PATENT DOCUMENTS

D55,278 S * 5/1920 Krauter D21/750
D420,079 S * 2/2000 Frazetta D21/747
D422,329 S * 4/2000 Raymond D21/747
7,473,187 B2 * 1/2009 Vokey A63B 53/047
473/330
D588,221 S * 3/2009 Takahashi D21/759

D588,666 S * 3/2009 Takahashi D21/759
D596,687 S * 7/2009 Bezilla D21/759
D603,009 S * 10/2009 Bezilla D21/759
D607,071 S * 12/2009 Wada D21/759
D612,438 S * 3/2010 Carlyle D21/759
D612,439 S * 3/2010 Carlyle D21/759
D617,406 S * 6/2010 Carlyle D21/759
D633,967 S * 3/2011 Carlyle D21/759
D634,804 S * 3/2011 Beaulieu D21/759
D643,490 S * 8/2011 Wada D21/759
D707,316 S * 6/2014 Aguayo D21/759
D707,317 S * 6/2014 Aguayo D21/759
D716,387 S * 10/2014 Aguayo D21/759
D716,388 S * 10/2014 Aguayo D21/759
D756,475 S * 5/2016 Ripp D21/759
D760,854 S * 7/2016 Ripp D21/759
D764,000 S * 8/2016 Gonczi D21/759
D786,379 S * 5/2017 Ivanova D21/759
D812,167 S * 3/2018 Ivanova D21/759
2009/0247318 A1 * 10/2009 Ban A63B 53/047
473/331

* cited by examiner

Primary Examiner — Mitchell I. Siegel

(74) *Attorney, Agent, or Firm* — Rebecca Hanovice;
Michael Catania; Sonia Lari

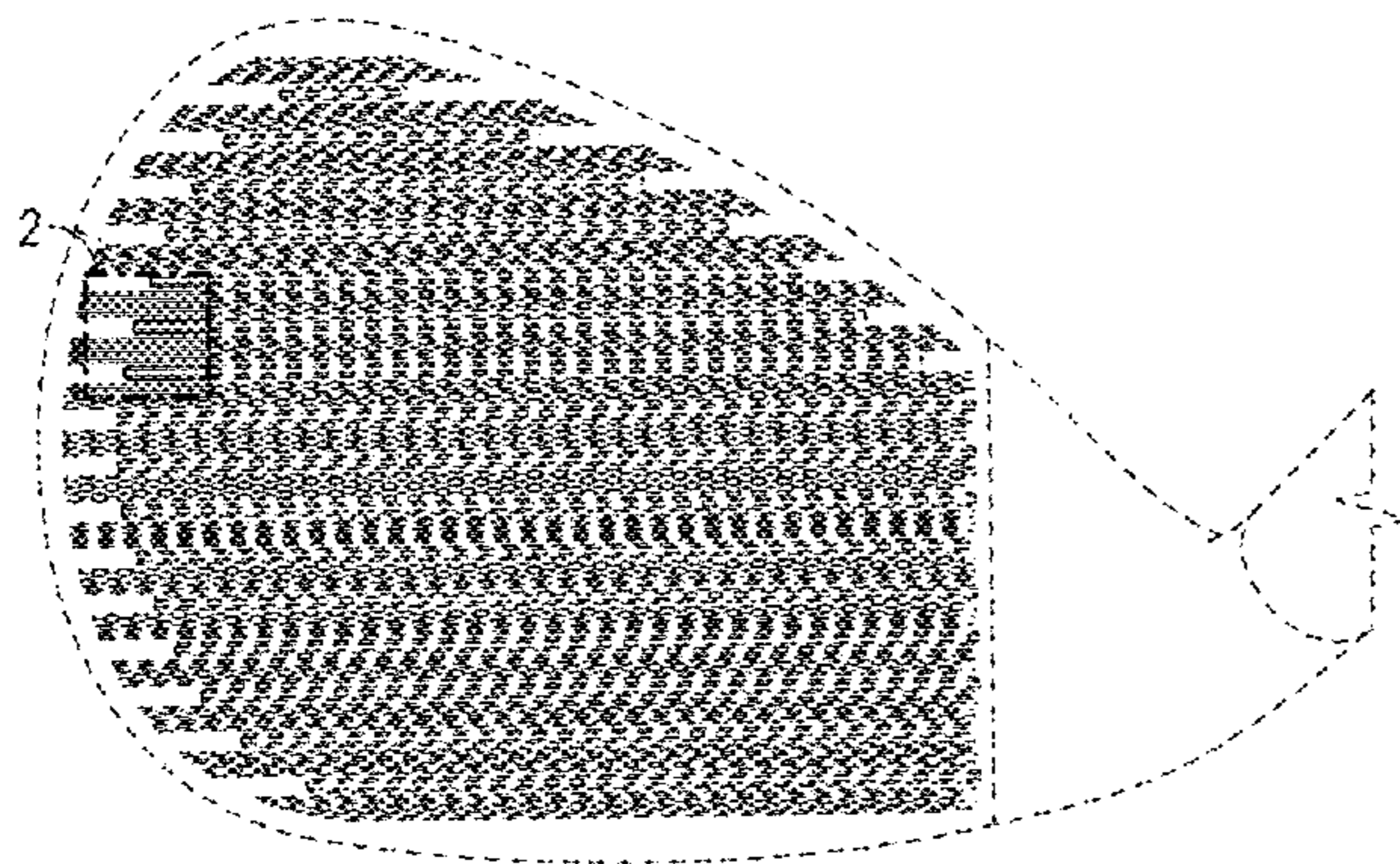
(57) **CLAIM**

The ornamental design for a golf club face, as shown and described.

DESCRIPTION

FIG. 1 is a front elevational view of the golf club face as claimed herein;
FIG. 2 is an enlarged view of the encircled area in FIG. 1; and,
FIG. 3 is a cross sectional view taken on line 3-3 of FIG. 2. The broken line showing is included for the purpose of illustrating unclaimed subject matter and forms no part of the claimed design.

1 Claim, 2 Drawing Sheets



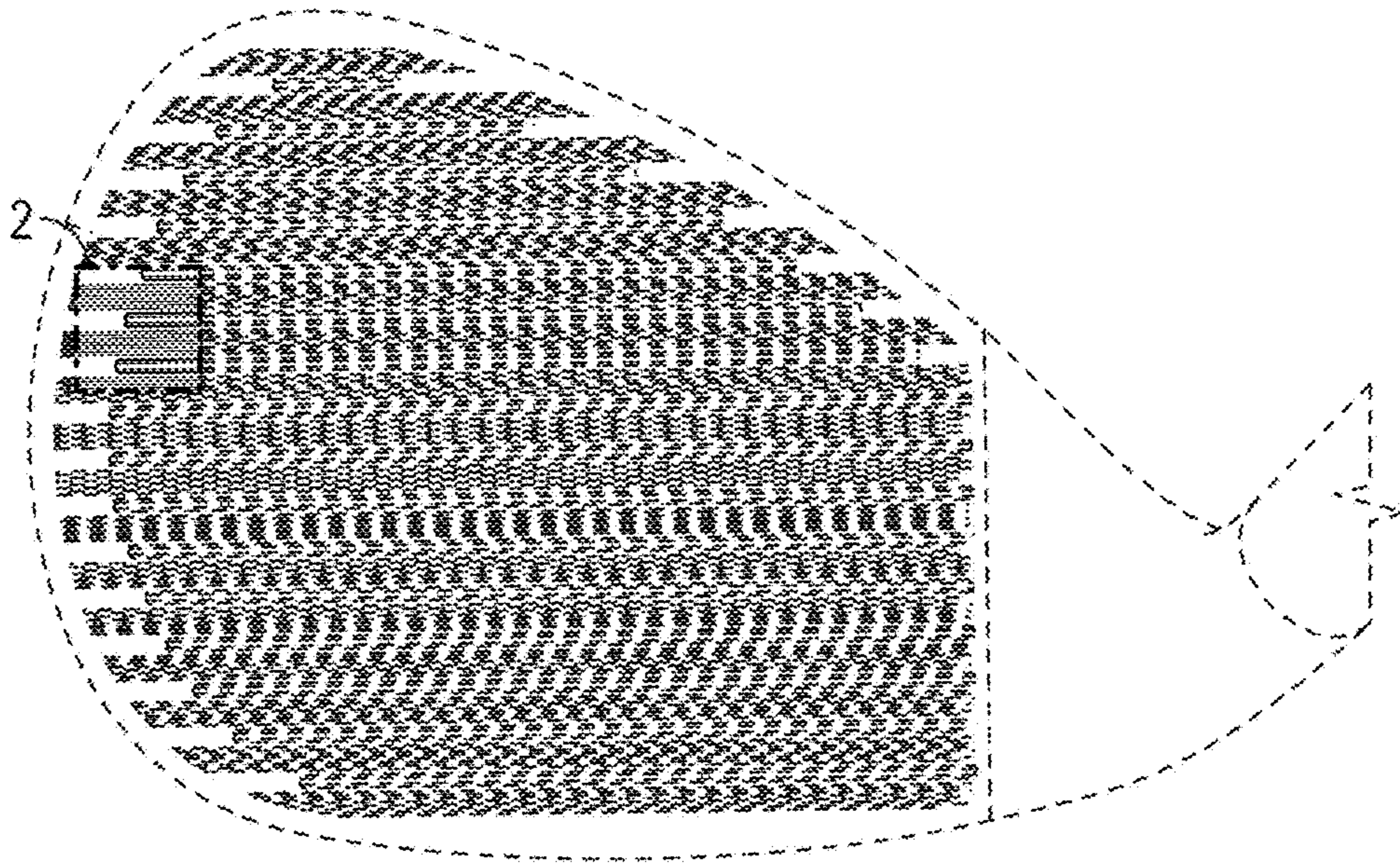


FIG. 1

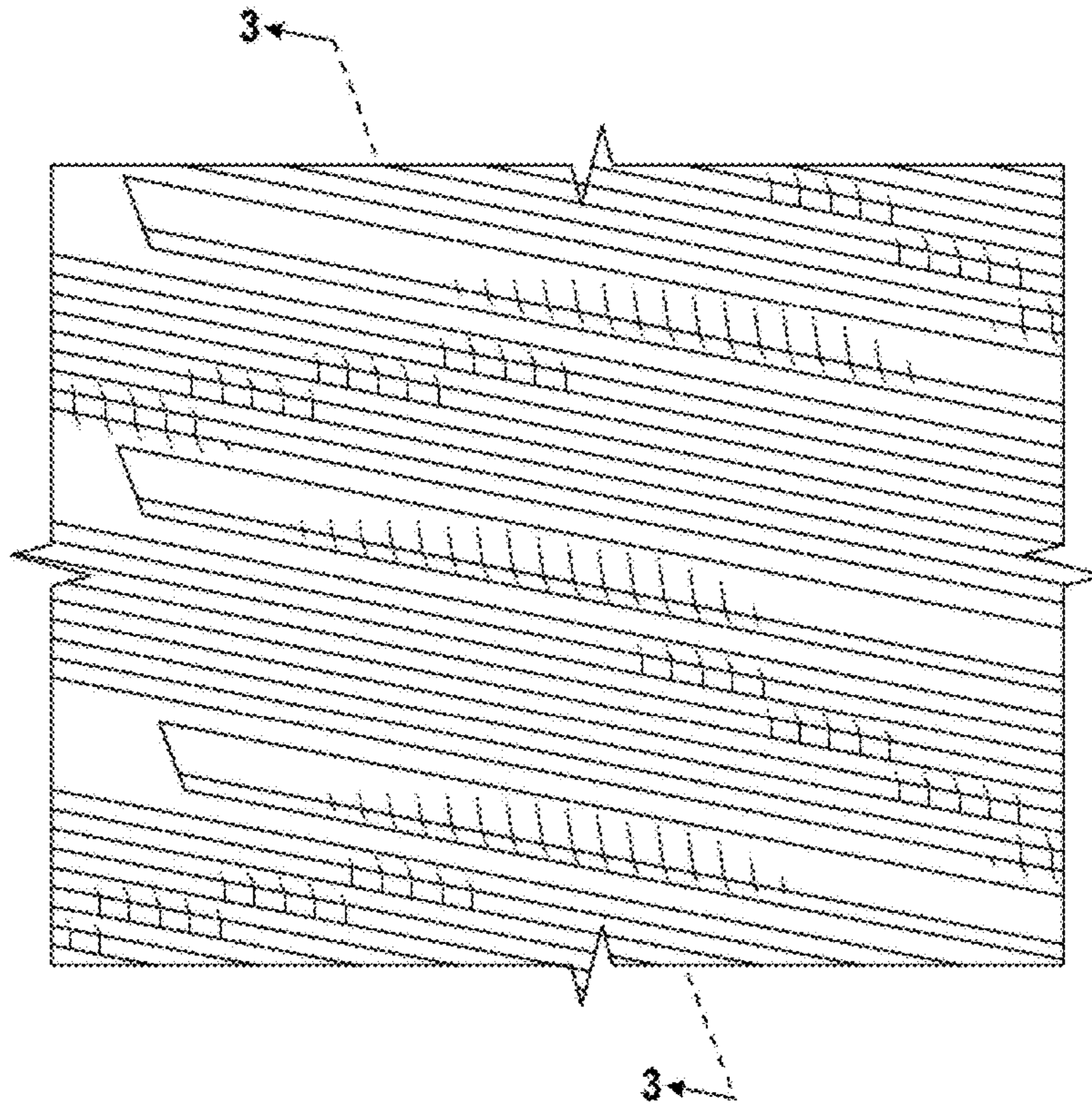


FIG. 2

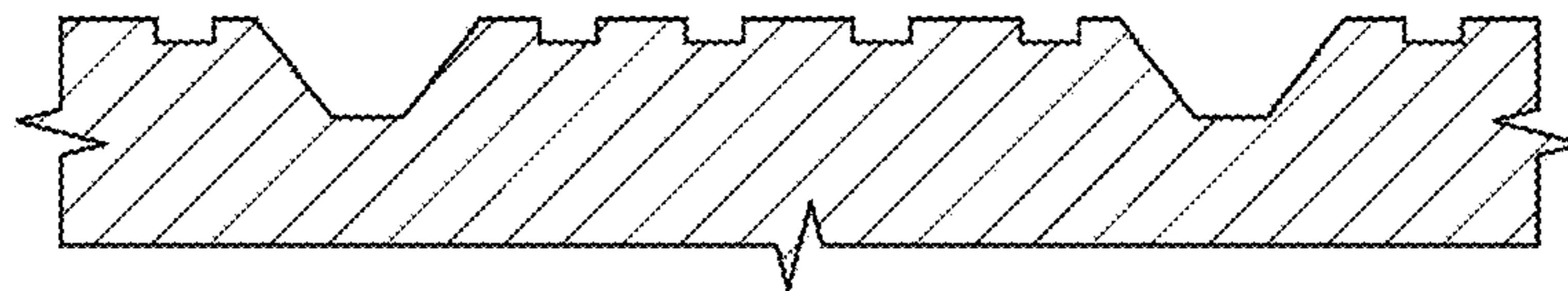


FIG. 3