

US00D847283S

(12) **United States Design Patent** (10) **Patent No.:** **US D847,283 S**  
**Yan** (45) **Date of Patent:** **\*\* Apr. 30, 2019**

(54) **RIPPLED STRAP FOR A PICKLEBALL PADDLE**

(71) Applicant: **CSL Holdings, LLC**, Salt Lake City, UT (US)

(72) Inventor: **Yang Xiao Yan**, Nanjing (CN)

(73) Assignee: **CSL HOLDINGS, LLC**, Salt Lake City, UT (US)

(\*\*) Term: **15 Years**

(21) Appl. No.: **29/614,699**

(22) Filed: **Aug. 22, 2017**

(51) **LOC (11) Cl.** ..... **21-02**

(52) **U.S. Cl.**  
USPC ..... **D21/753**; D21/731

(58) **Field of Classification Search**  
USPC ..... D21/729-732, 753, 756-758  
CPC ..... A63B 49/00-49/14; A63B 2049/0201-2049/103; A63B 59/80; A63B 59/00; A63B 59/40; A63B 59/42; A63B 59/45; A63B 60/00; A63B 60/46; A63B 51/00; A63B 2102/00; A63B 2102/10; A63B 2102/12; A63B 2102/16; A63B 2102/26; A63B 2102/28; A63B 2102/30; A63B 2102/38

See application file for complete search history.

(56) **References Cited**

U.S. PATENT DOCUMENTS

D307,930 S \* 5/1990 Sokol ..... D21/731  
D443,663 S \* 6/2001 Kuncz ..... D21/729

D448,436 S \* 9/2001 Kuncz ..... D21/729  
D509,863 S \* 9/2005 Gajderowicz ..... D21/731  
D509,864 S \* 9/2005 Gajderowicz ..... D21/731  
D620,061 S \* 7/2010 Morrison ..... D21/731  
D800,237 S \* 10/2017 Su ..... D21/731  
D807,452 S \* 1/2018 Zawitz ..... D21/729

\* cited by examiner

*Primary Examiner* — Mitchell I. Siegel

(74) *Attorney, Agent, or Firm* — Parsons Behle & Latimer

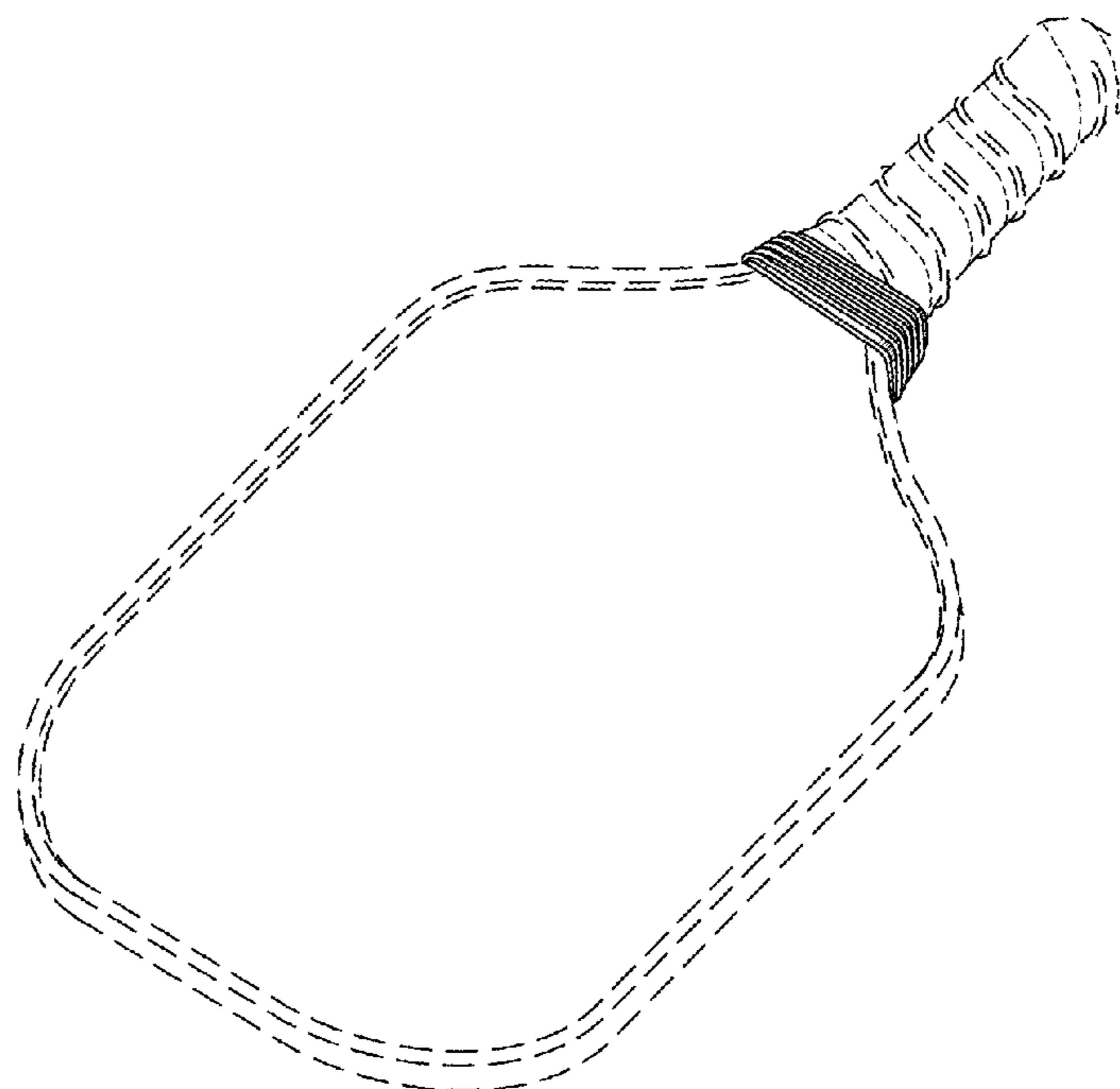
(57) **CLAIM**

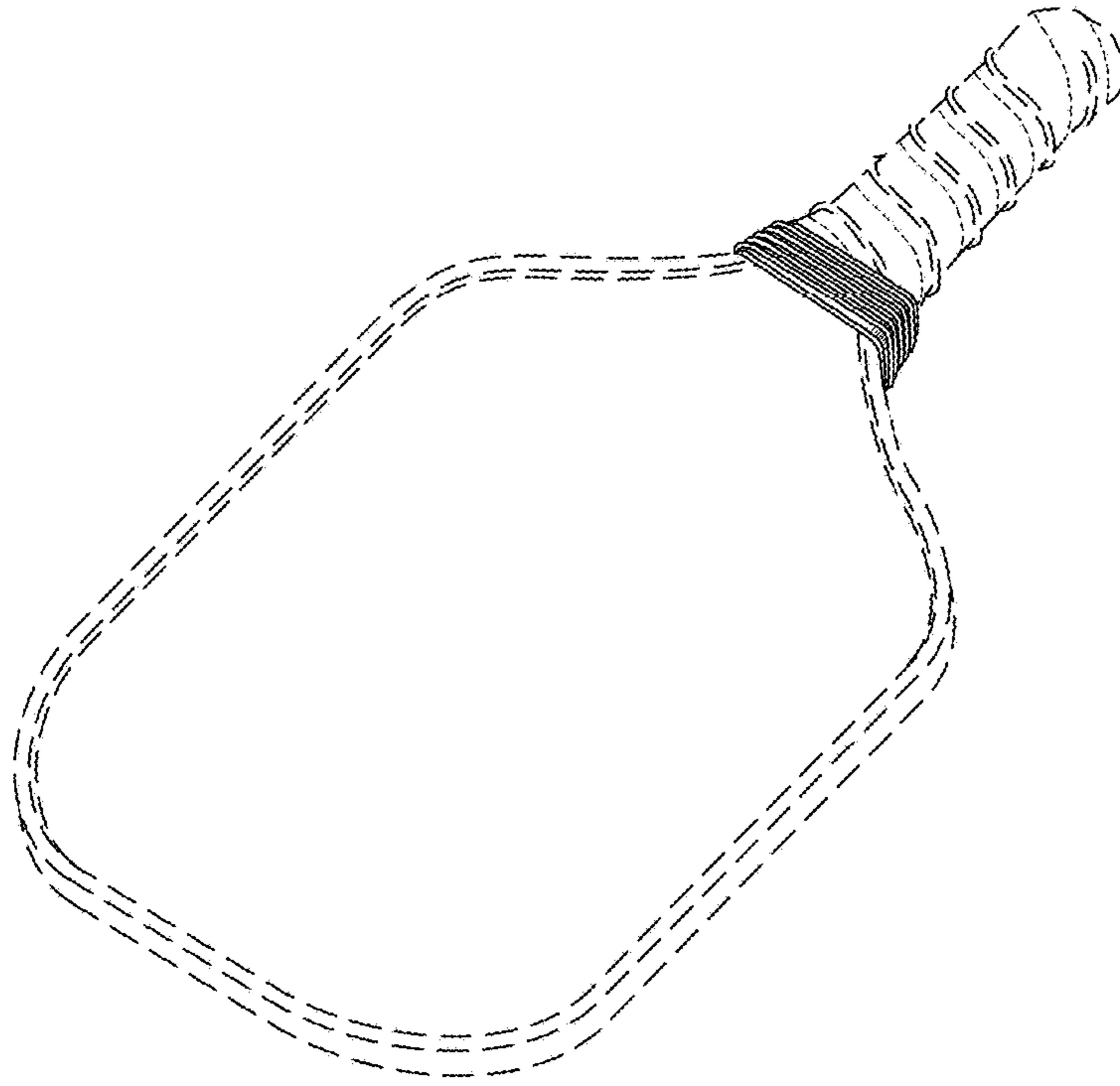
The ornamental design for a rippled strap for a pickleball paddle, as shown.

**DESCRIPTION**

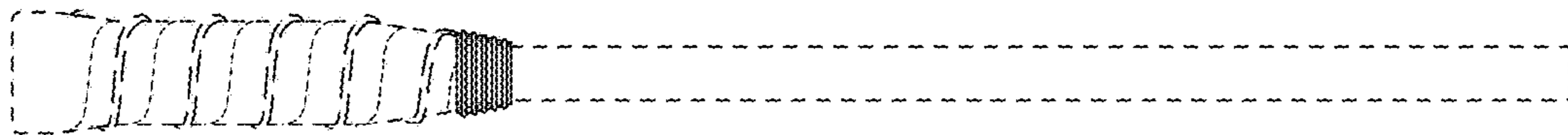
FIG. 1 is a perspective view showing the rippled strap for a pickleball paddle embodying the new design;  
FIG. 2 is a left side view thereof;  
FIG. 3 is a right side view thereof;  
FIG. 4 is a front view thereof;  
FIG. 5 is a rear view thereof;  
FIG. 6 is a top plan view thereof; and,  
FIG. 7 is a bottom plan view thereof.  
The broken line showing of the paddle and handle is included for the purpose of illustrating unclaimed subject matter and forms no part of the claimed design.

**1 Claim, 2 Drawing Sheets**

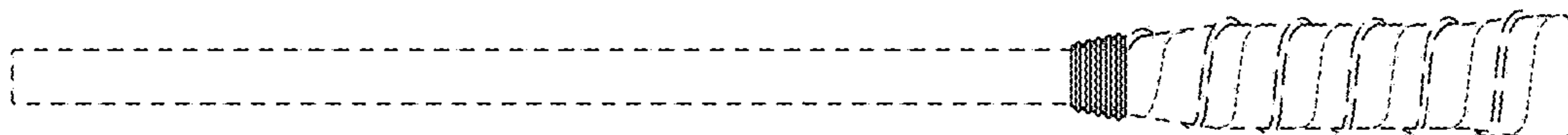




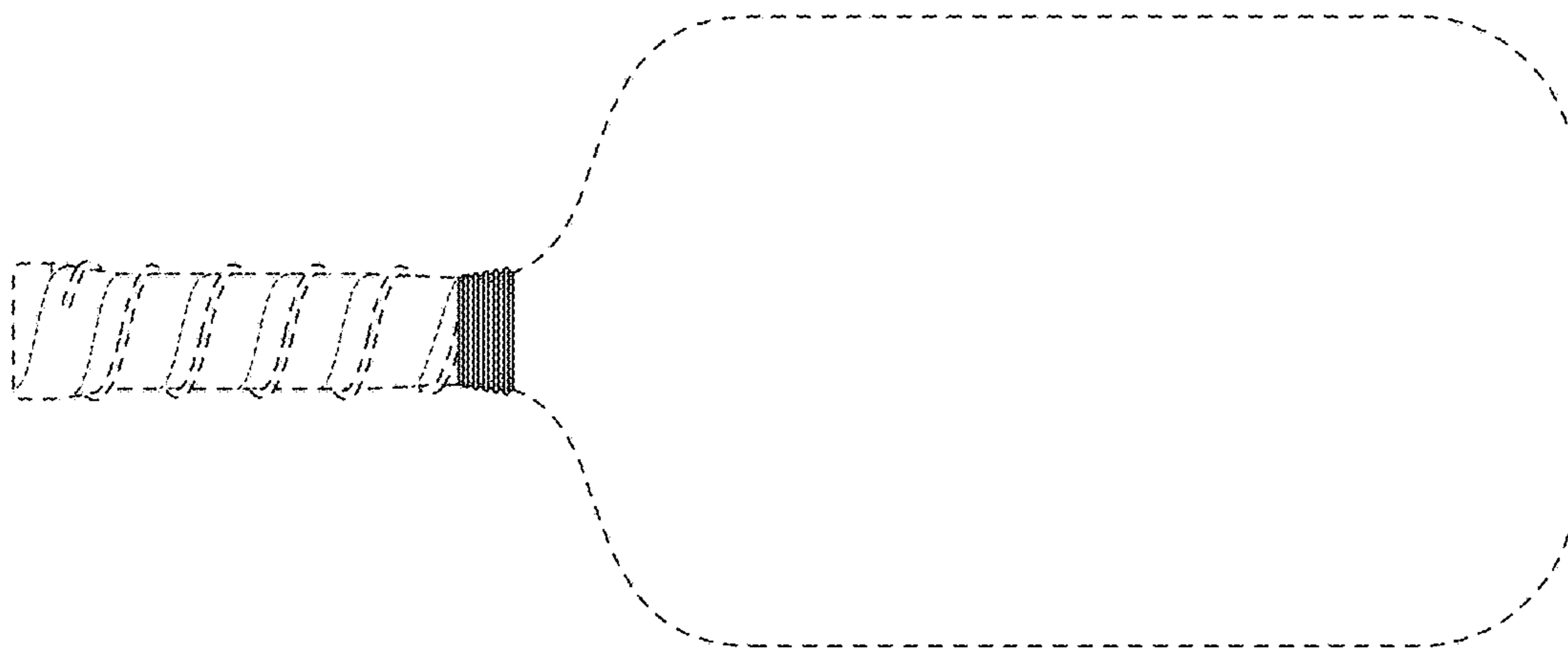
**FIG. 1**



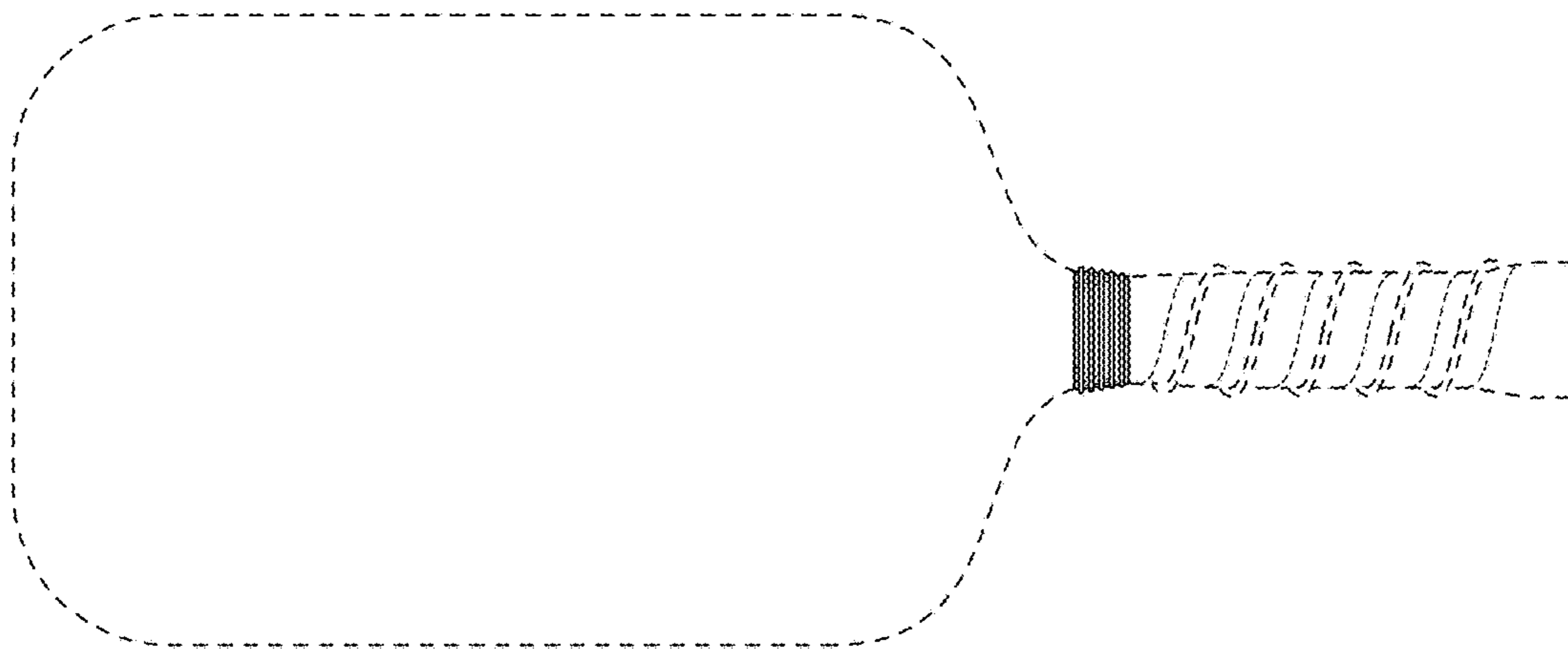
**FIG. 2**



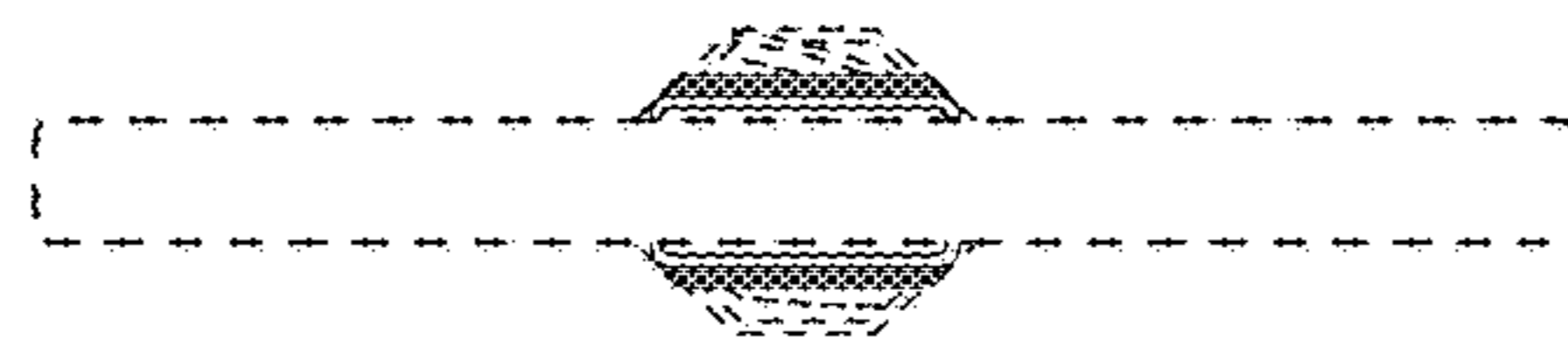
**FIG. 3**



**FIG. 4**



**FIG. 5**



**FIG. 6**



**FIG. 7**