



US00D847278S

(12) **United States Design Patent** (10) **Patent No.:** **US D847,278 S**
Rohrbacher (45) **Date of Patent:** **** Apr. 30, 2019**

(54) **DUMBBELL STAND**
(71) Applicant: **Bill Rohrbacher**, Pampa, TX (US)
(72) Inventor: **Bill Rohrbacher**, Pampa, TX (US)
(**) Term: **15 Years**
(21) Appl. No.: **29/607,378**
(22) Filed: **Jun. 13, 2017**
(51) **LOC (11) Cl.** **21-02**
(52) **U.S. Cl.**
USPC **D21/686**
(58) **Field of Classification Search**
USPC D6/656.1, 552, 549, 548; D21/827, 826,
D21/797, 694, 691, 690, 686, 679, 673,
D21/665, 662; 482/96, 95, 94, 93, 92,
482/87, 8, 77, 41, 40, 38, 36, 35, 2, 148,
482/147, 144, 142, 141, 140, 135, 133,
482/132, 130, 128, 104, 101; 472/136,
472/118
CPC A63B 21/4035; A63B 21/0552; A63B
23/0211; A63B 2210/50; A63B 21/4047;
A63B 23/12; A63B 21/068; A63B
21/154; A63B 2208/0204; A63B 23/1236;
A63B 21/00047; A63B 23/1218; A63B
23/1227; A63B 1/00
See application file for complete search history.

D495,382 S * 8/2004 Ceppo D21/686
D495,383 S * 8/2004 Ceppo D21/686
D504,164 S * 4/2005 Ceppo D21/686
D578,173 S * 10/2008 James D21/686
7,534,198 B1 * 5/2009 Strong A63B 71/0036
482/94
D755,909 S * 5/2016 James D21/686
9,895,572 B2 * 2/2018 Donato A63B 21/078
10,105,582 B1 * 10/2018 Jones A63B 71/0036
D837,560 S * 1/2019 Hendricks D6/552

(Continued)

Primary Examiner — Philip S Hyder
Assistant Examiner — Ryan Harvey
(74) *Attorney, Agent, or Firm* — Global Intellectual
Property Agency, LLC; Daniel Boudwin

(57) **CLAIM**

The ornamental design for a dumbbell stand, as shown and described.

DESCRIPTION

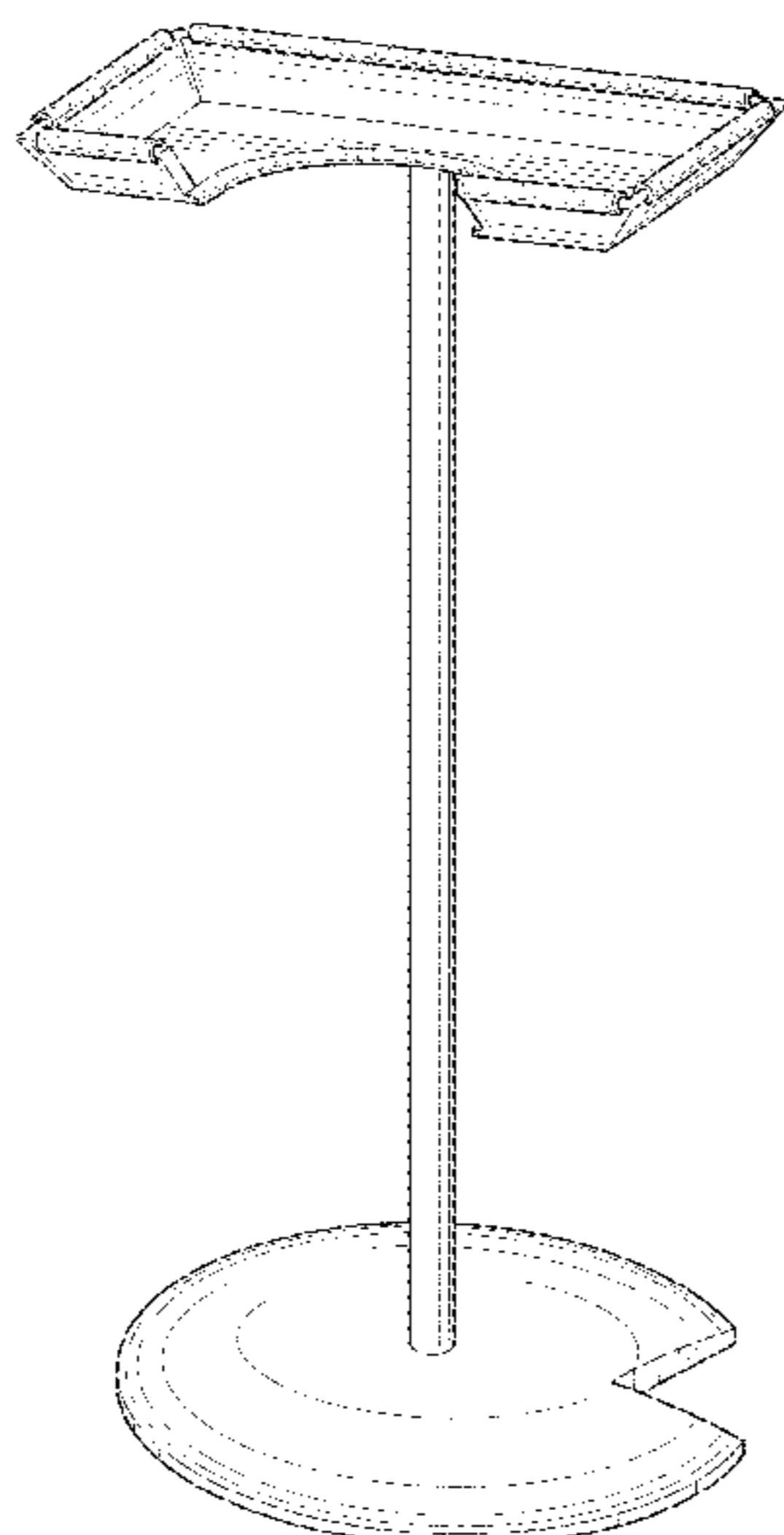
FIG. 1 shows a perspective view of a first embodiment of the dumbbell stand.
FIG. 2 shows a front elevation view thereof.
FIG. 3 shows a rear elevation view thereof.
FIG. 4 shows a right side elevation view thereof.
FIG. 5 shows a left side elevation view thereof.
FIG. 6 shows a first end elevation view thereof.
FIG. 7 shows a second end elevation view thereof.
FIG. 8 shows a perspective view of a second embodiment of the dumbbell stand.
FIG. 9 shows a front elevation view thereof.
FIG. 10 shows a rear elevation view thereof.
FIG. 11 shows a right side elevation view thereof.
FIG. 12 shows a left side elevation view thereof.
FIG. 13 shows a first end elevation view thereof; and,
FIG. 14 shows a second end elevation view thereof.

1 Claim, 12 Drawing Sheets

(56) **References Cited**

U.S. PATENT DOCUMENTS

D415,223 S * 10/1999 Gay D21/686
D425,152 S * 5/2000 Ceppo D21/662
D425,950 S * 5/2000 Ceppo D21/662
D429,295 S * 8/2000 Ceppo D21/662
D441,813 S * 5/2001 Ceppo 482/104
D443,660 S * 6/2001 Ceppo D21/662
D453,542 S * 2/2002 Louiso D21/686
D487,490 S * 3/2004 Evans A63B 21/078
D21/686
D495,380 S * 8/2004 Ceppo D21/686
D495,381 S * 8/2004 Ceppo D21/686



(56)

References Cited

U.S. PATENT DOCUMENTS

2005/0009671 A1* 1/2005 Hummer, Jr. A63B 71/0036
482/94
2012/0157271 A1* 6/2012 Bauer A63B 71/0036
482/104
2018/0178051 A1* 6/2018 Shaw, Jr. A63B 21/078

* cited by examiner

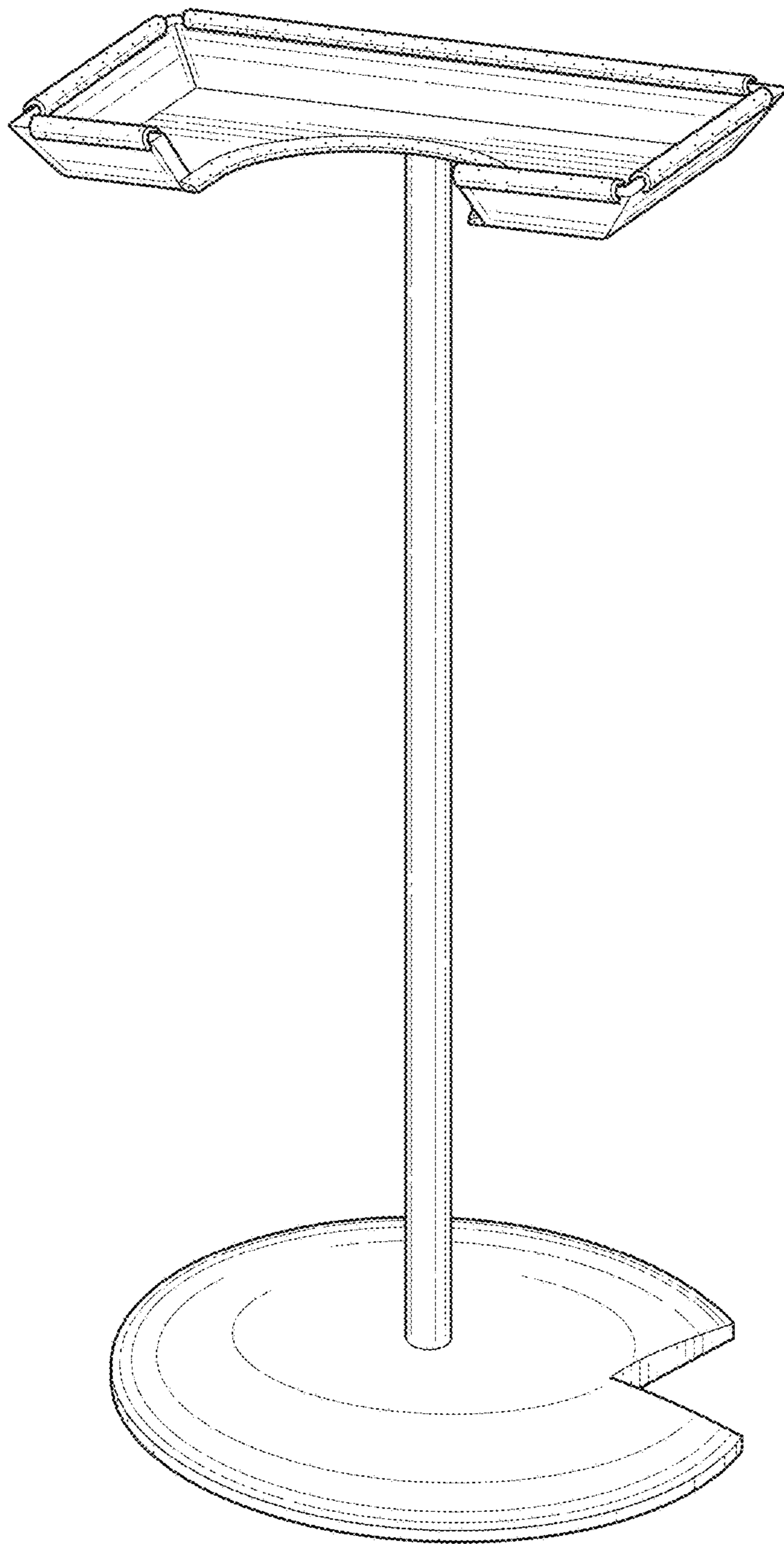


FIG. 1

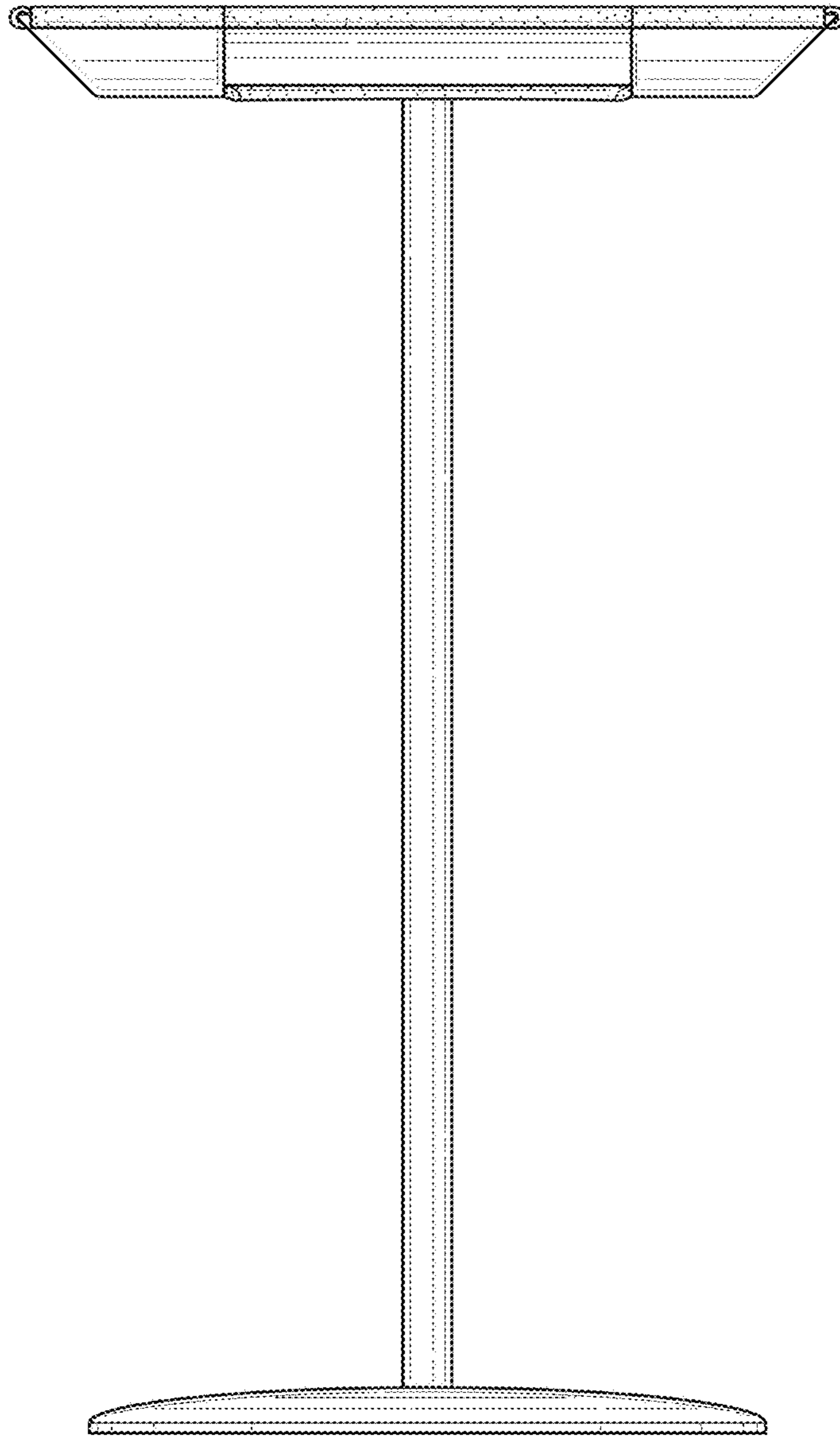


FIG. 2

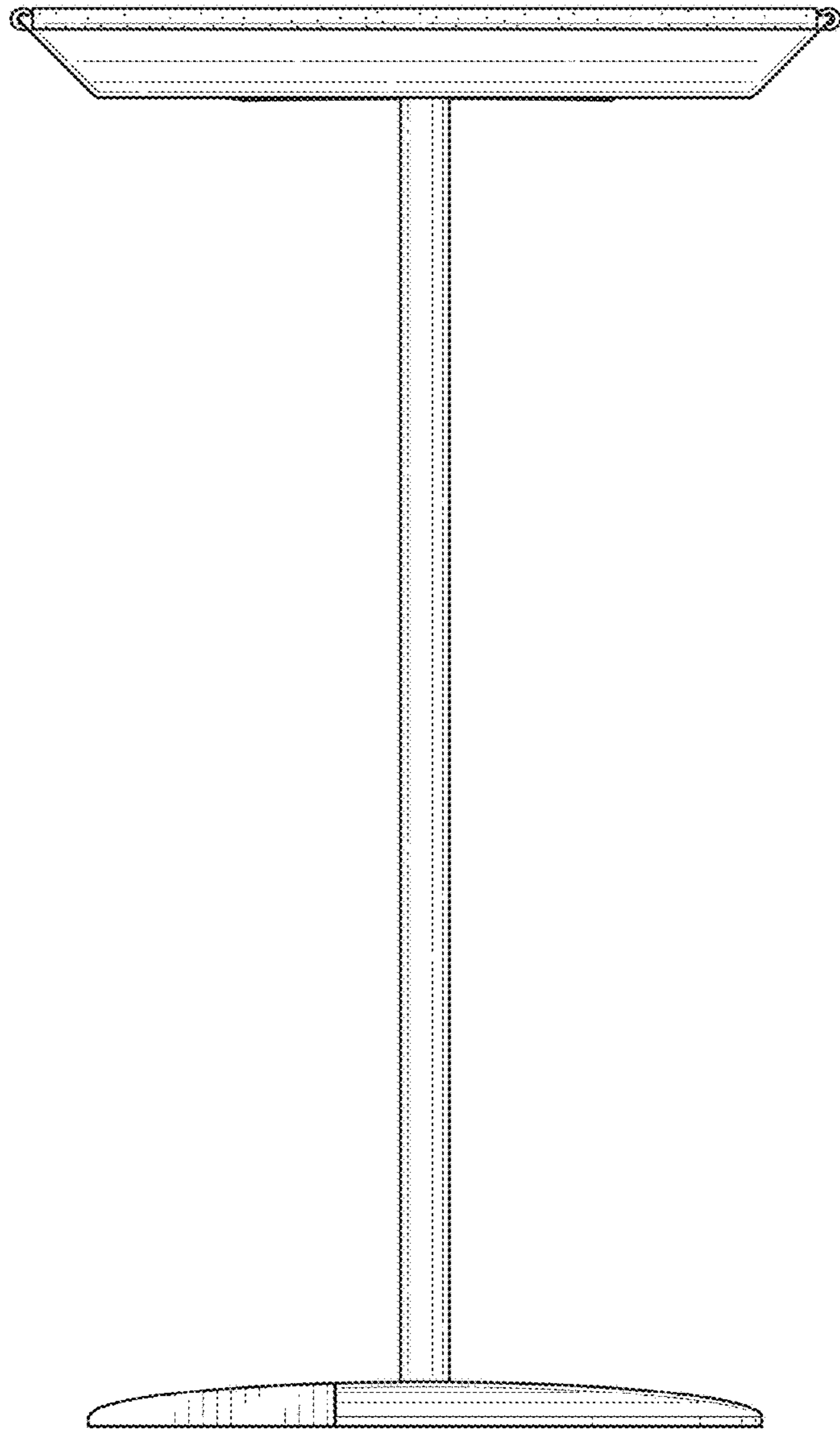


FIG. 3

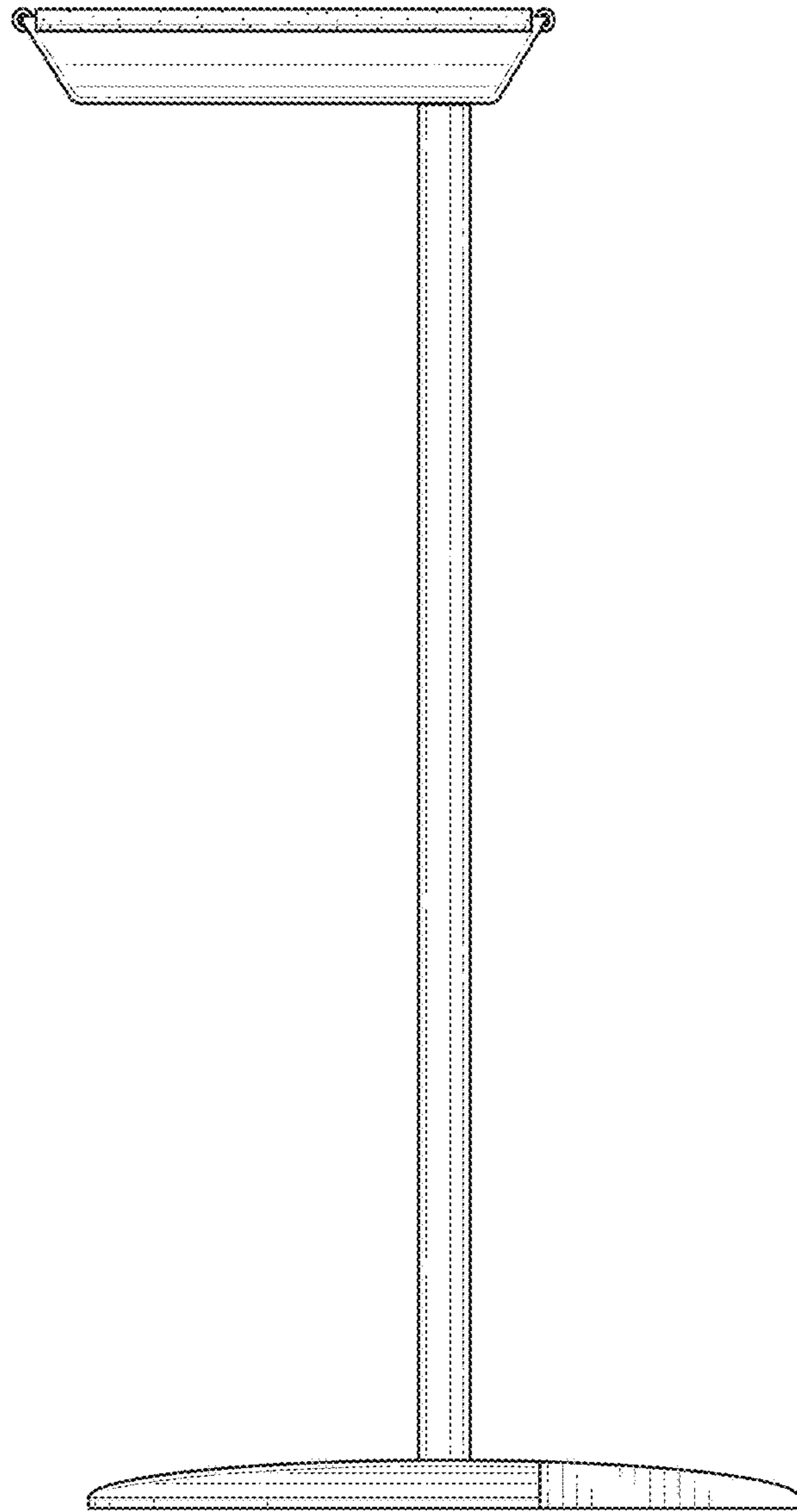


FIG. 4

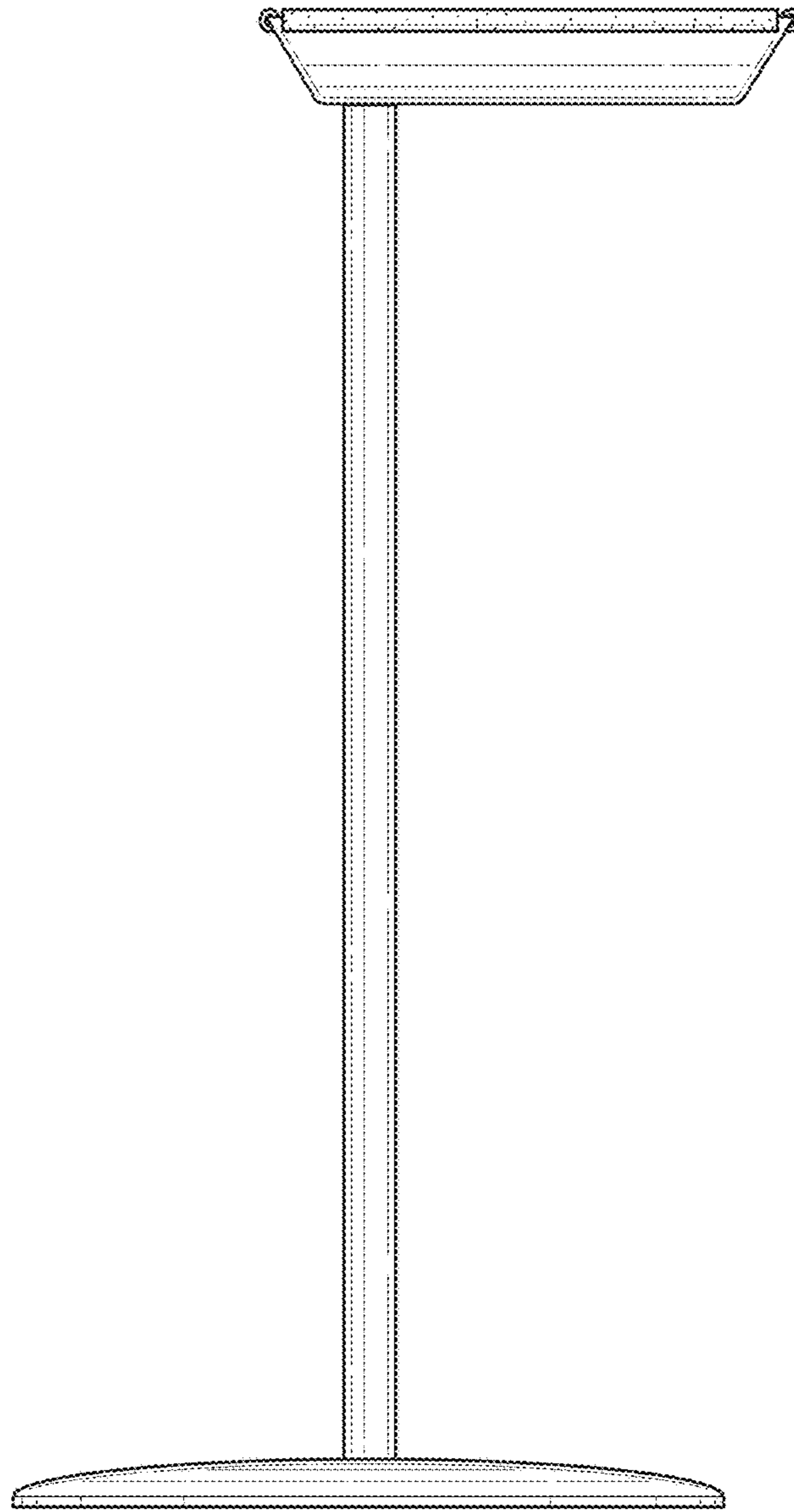


FIG. 5

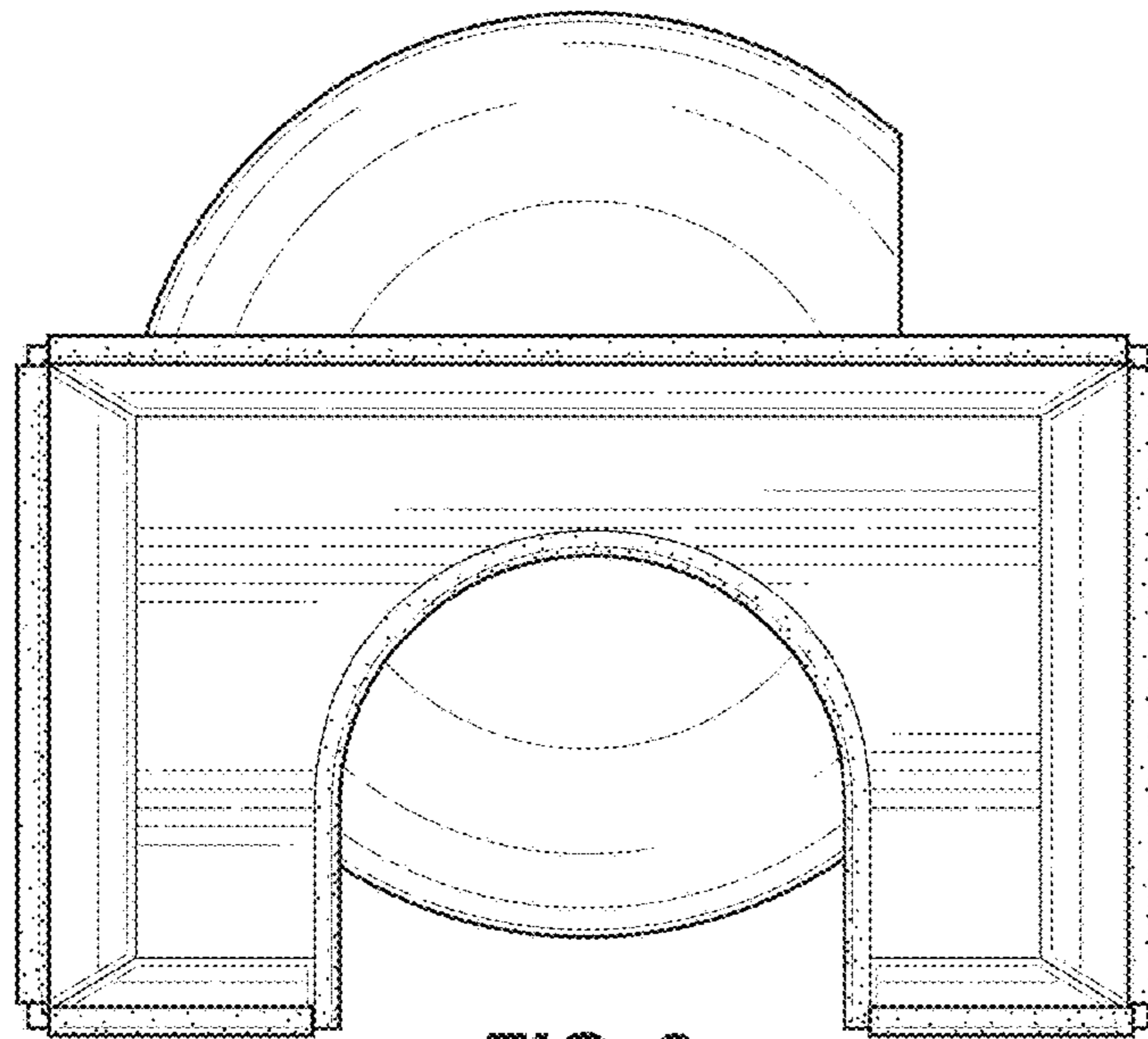


FIG. 6

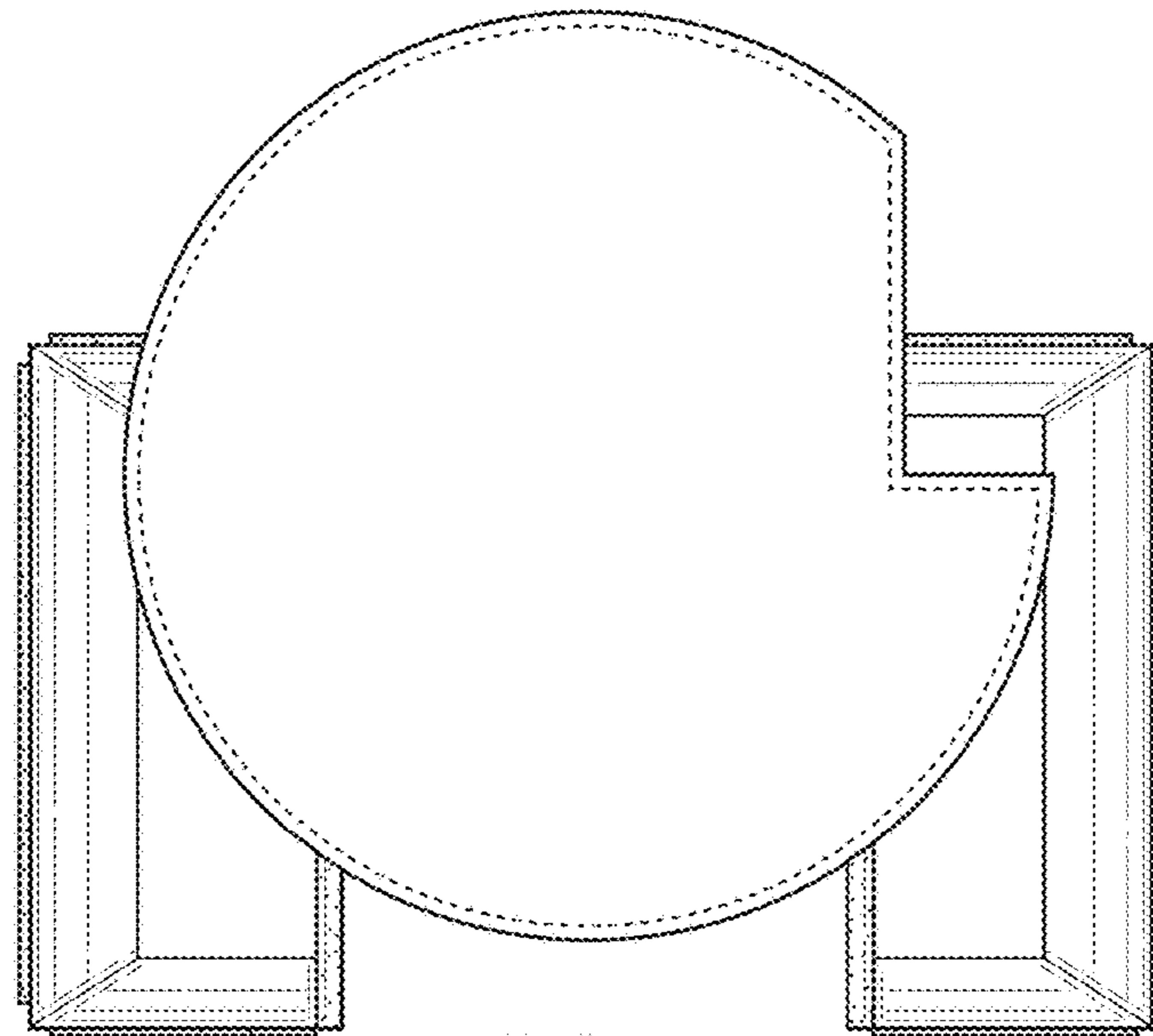


FIG. 7

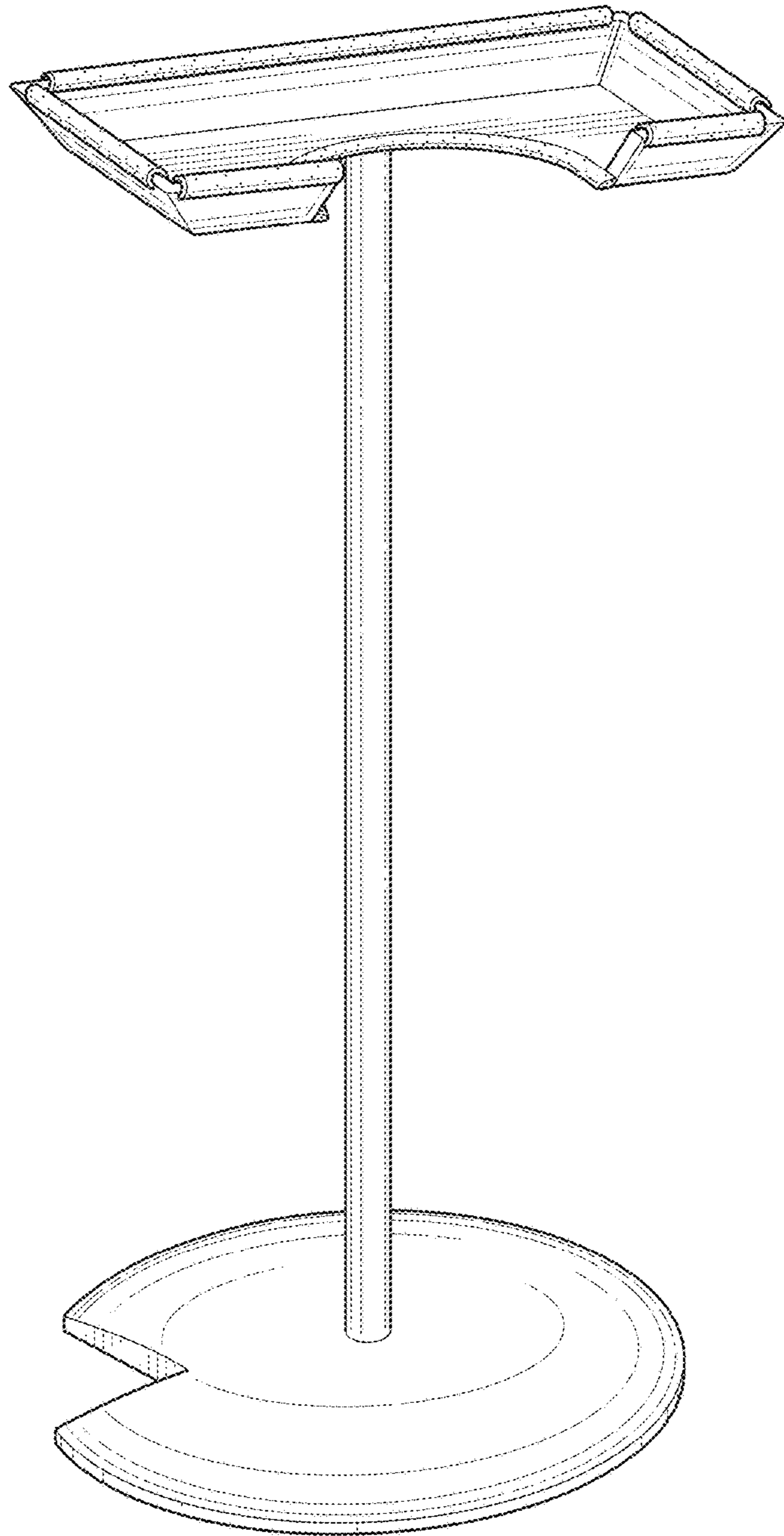


FIG. 8

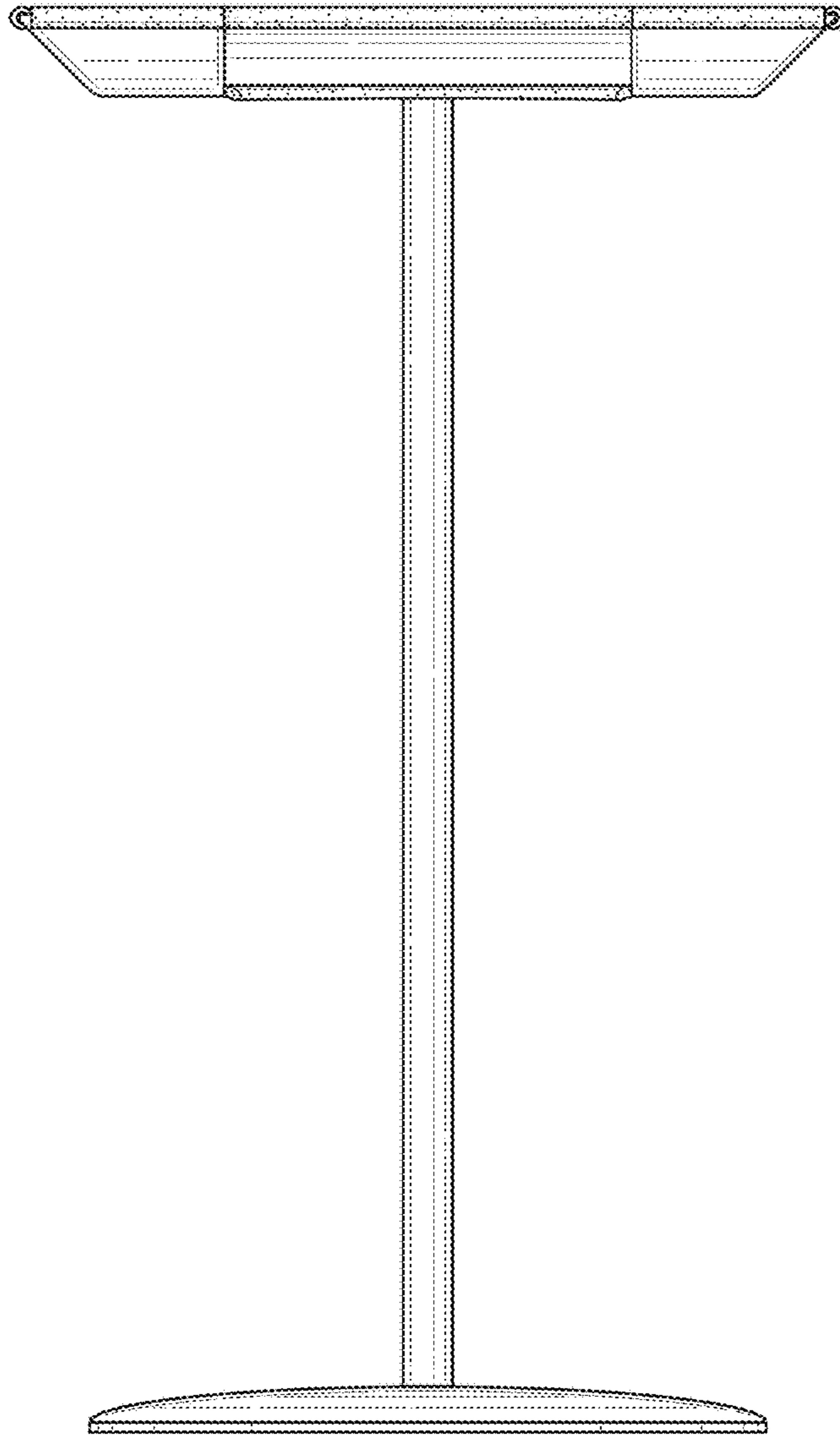


FIG. 9

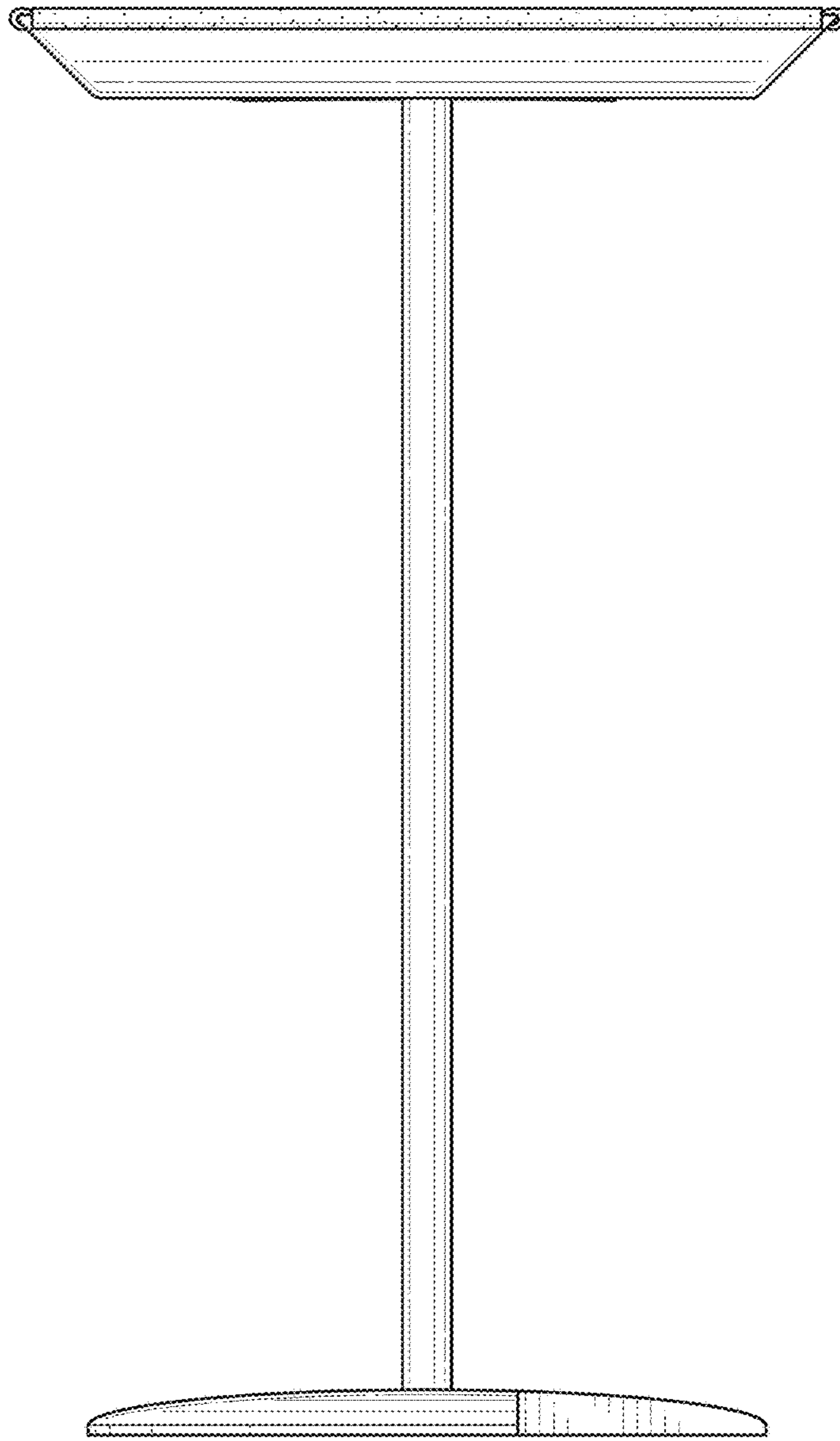


FIG. 10

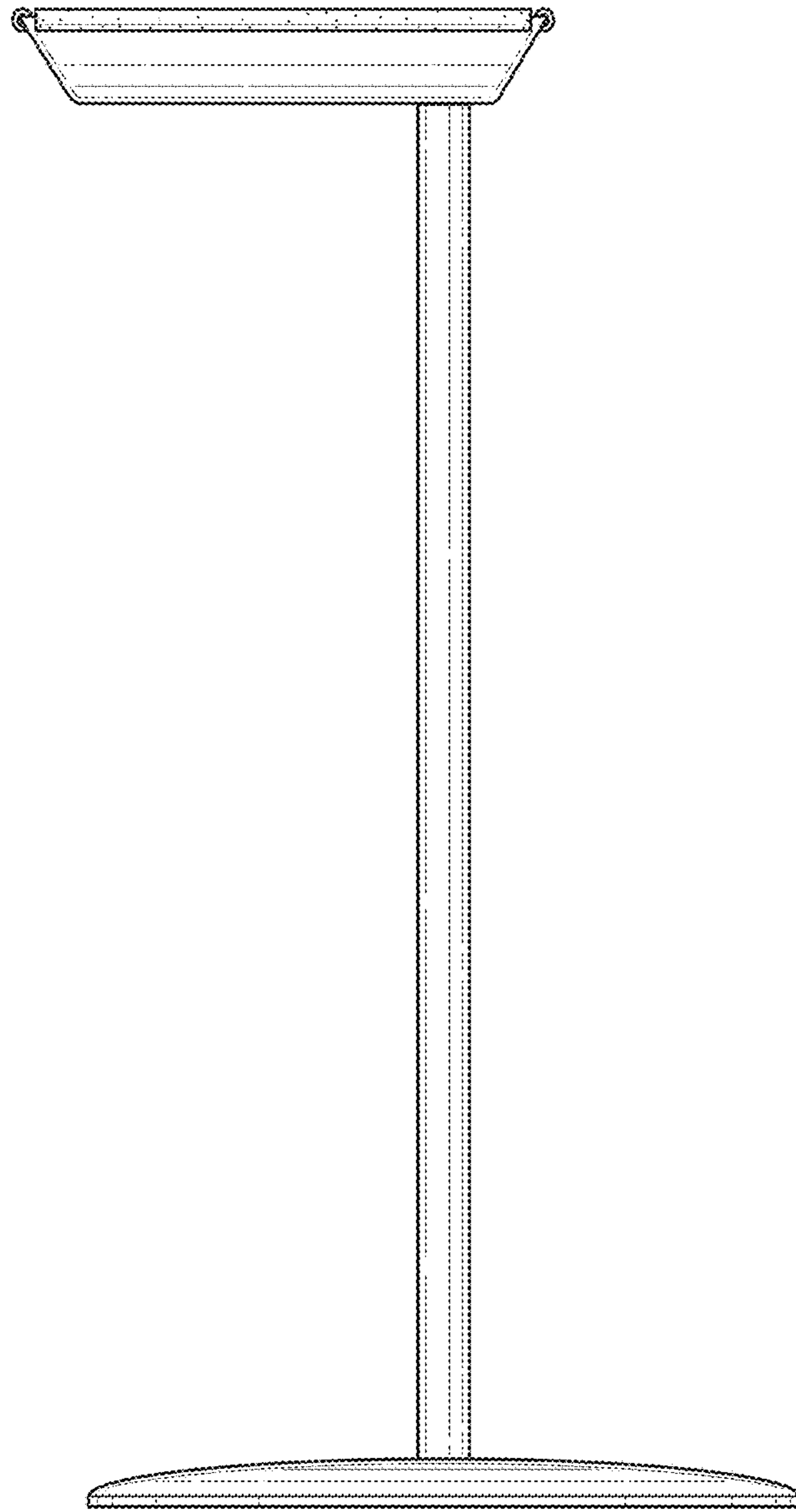


FIG. 11

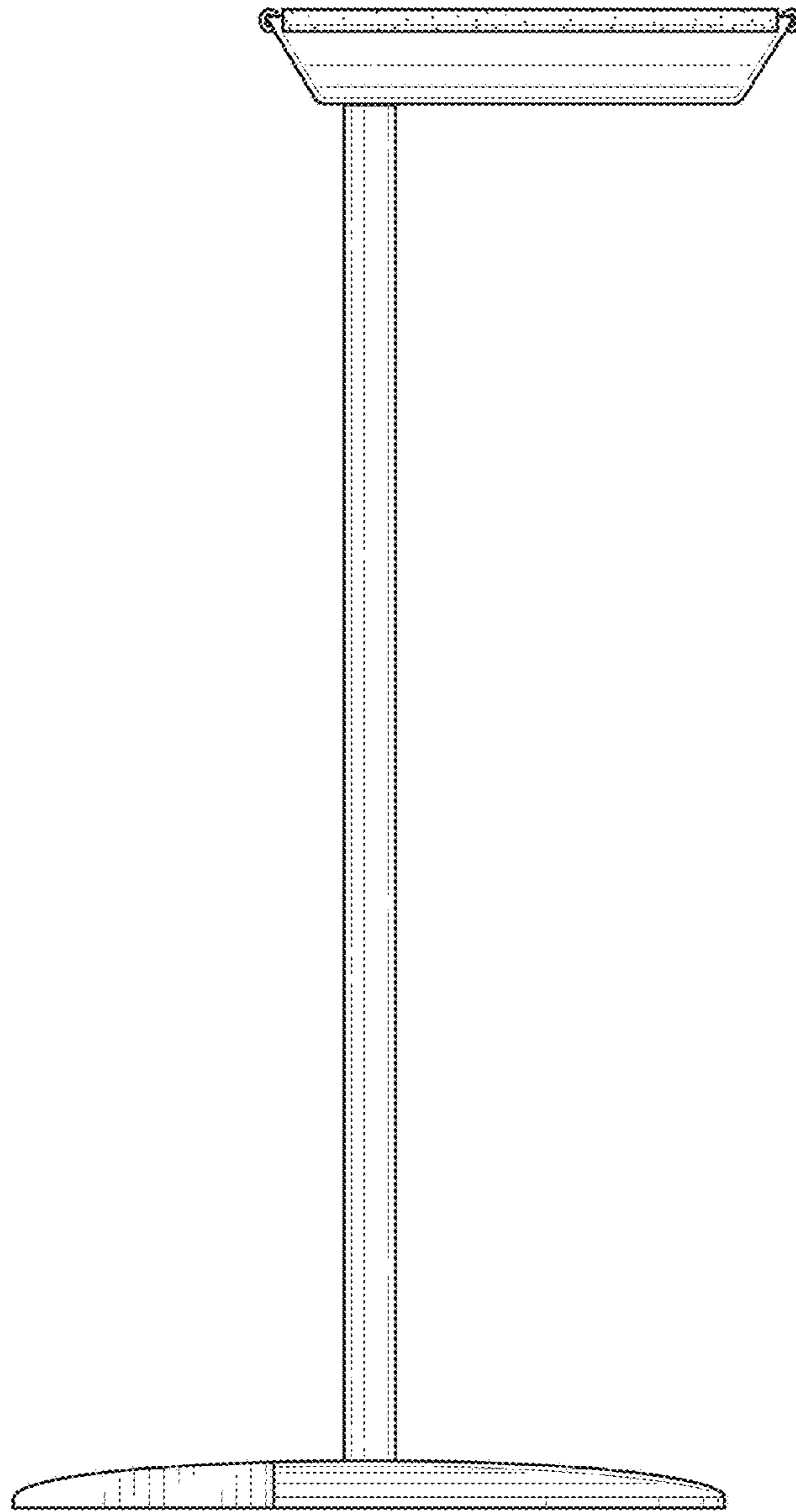


FIG. 12

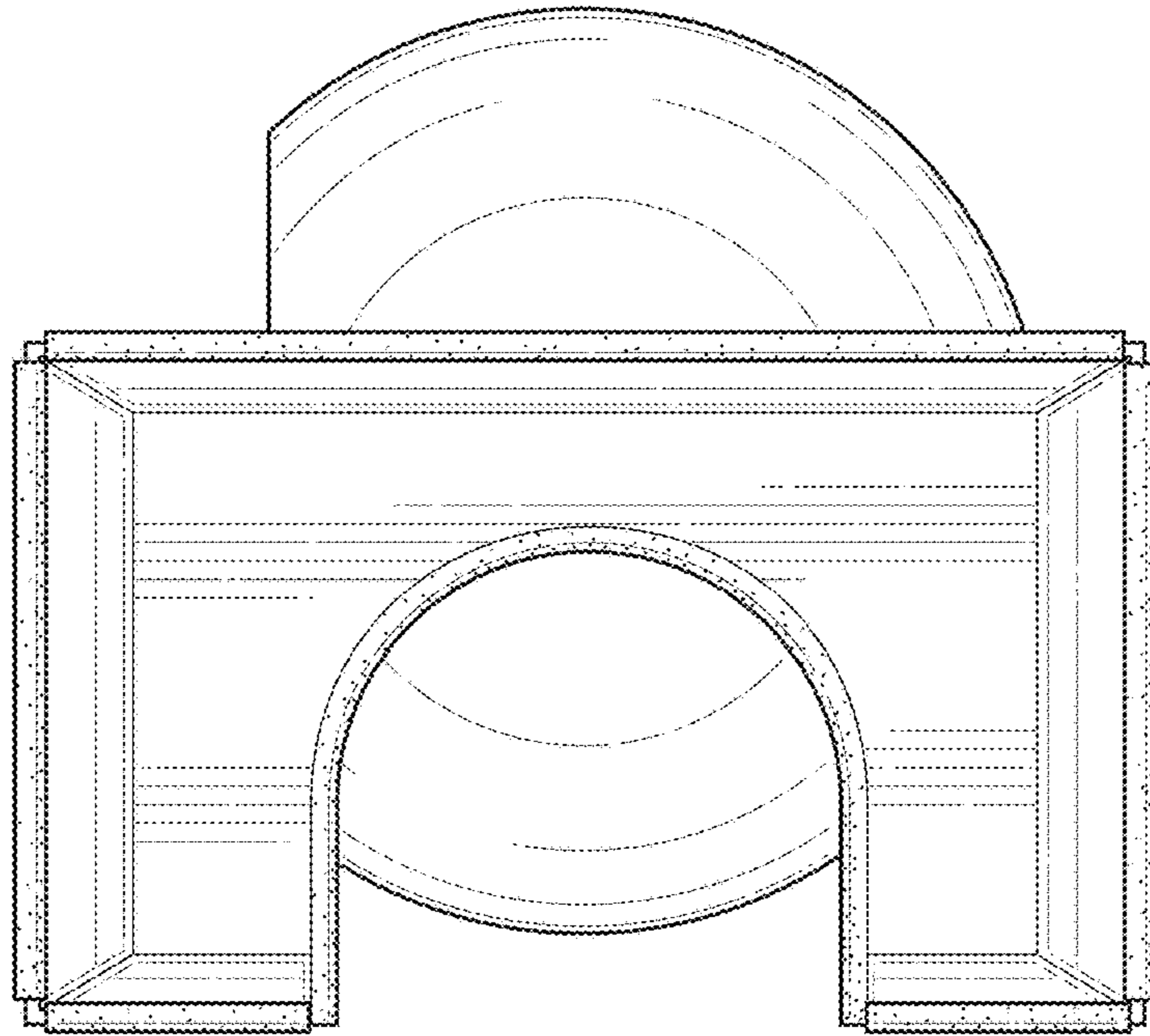


FIG. 13

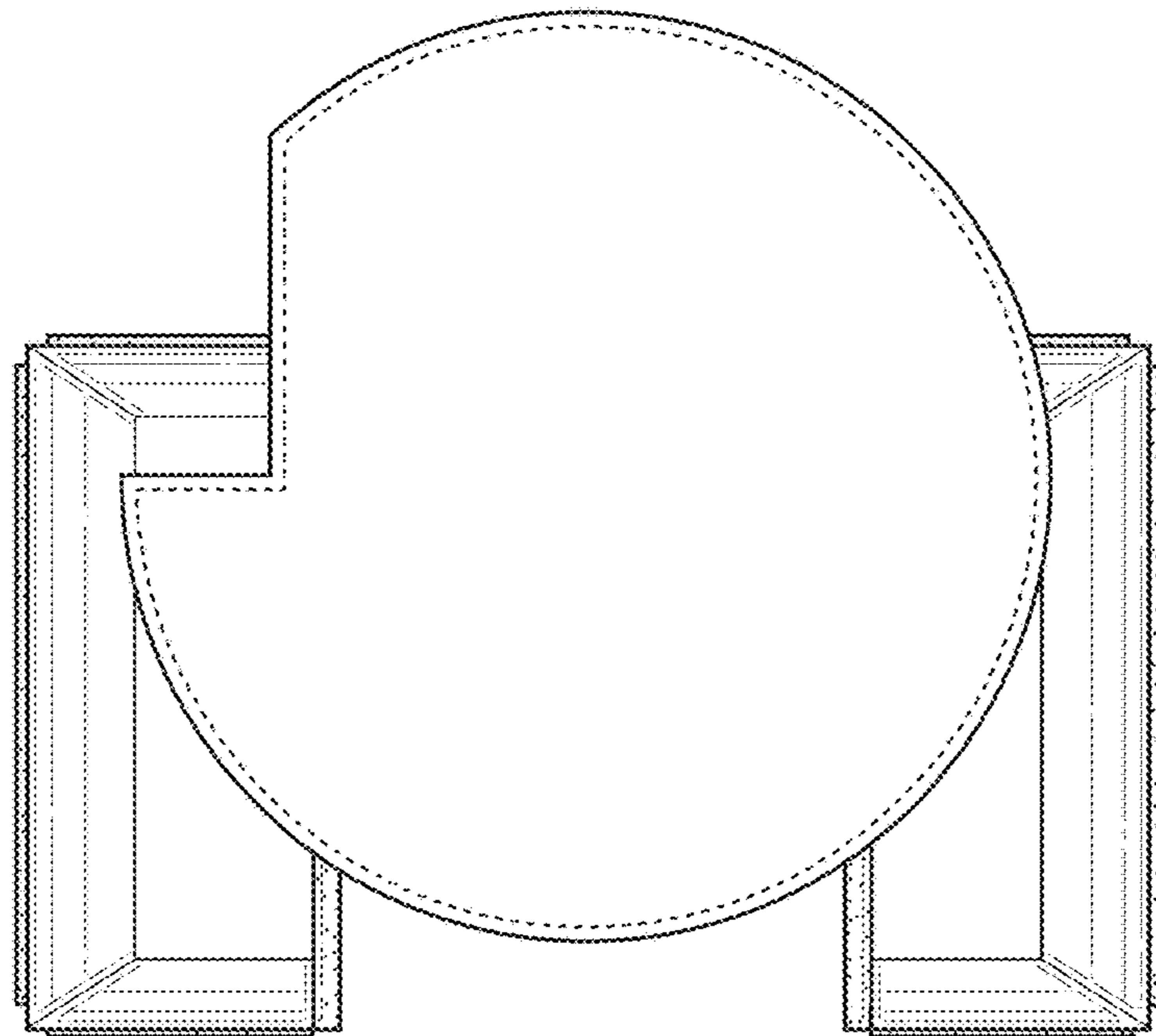


FIG. 14