



US00D847277S

(12) **United States Design Patent**  
**Hodes**

(10) **Patent No.:** **US D847,277 S**

(45) **Date of Patent:** **\*\* Apr. 30, 2019**

(54) **EXERCISE WEIGHT**

(71) Applicant: **Leon Hodes**, Great Neck, NY (US)

(72) Inventor: **Leon Hodes**, Great Neck, NY (US)

(\*\*) Term: **15 Years**

(21) Appl. No.: **29/615,689**

(22) Filed: **Aug. 30, 2017**

(51) **LOC (11) Cl.** ..... **21-02**

(52) **U.S. Cl.**  
USPC ..... **D21/682**

(58) **Field of Classification Search**  
USPC ..... D21/680, 682, 681, 686, 662; 482/108,  
482/93, 107, 98, 91, 139, 104  
CPC . A63B 21/075; A63B 21/0728; A63B 21/072;  
A63B 21/00065; A63B 21/0726; A63B  
21/063

See application file for complete search history.

(56) **References Cited**

**U.S. PATENT DOCUMENTS**

9,616,269	B1 *	4/2017	Burosh	.....	A63B 21/072
D789,461	S *	6/2017	Magloire	.....	D21/682
D818,546	S *	5/2018	Martin	.....	D21/682
2011/0263394	A1 *	10/2011	Viselman	.....	A63B 21/00061
					482/93
2011/0306475	A1 *	12/2011	Caswell	.....	A63B 21/0601
					482/93
2012/0046148	A1 *	2/2012	Aguila	.....	A63B 21/072
					482/93
2014/0024506	A1 *	1/2014	Vixathep	.....	A63B 21/0726
					482/108

**OTHER PUBLICATIONS**

Alchemy by Alchemy 365 dated Sep. 11, 2015. Found online [Jun. 12, 2018] (Year: 2015) [https://www.instagram.com/p/7gPMtFo9yg/?hl=en&taken-by=alchemy\\_365](https://www.instagram.com/p/7gPMtFo9yg/?hl=en&taken-by=alchemy_365).  
Bullybarby BullyBar dated noFound online [Nov. 26, 2018] [thebullybars.com/](http://thebullybars.com/) (Year: 2015).\*

\* cited by examiner

*Primary Examiner* — Ryan Harvey

(74) *Attorney, Agent, or Firm* — Holtz, Holtz & Volek PC

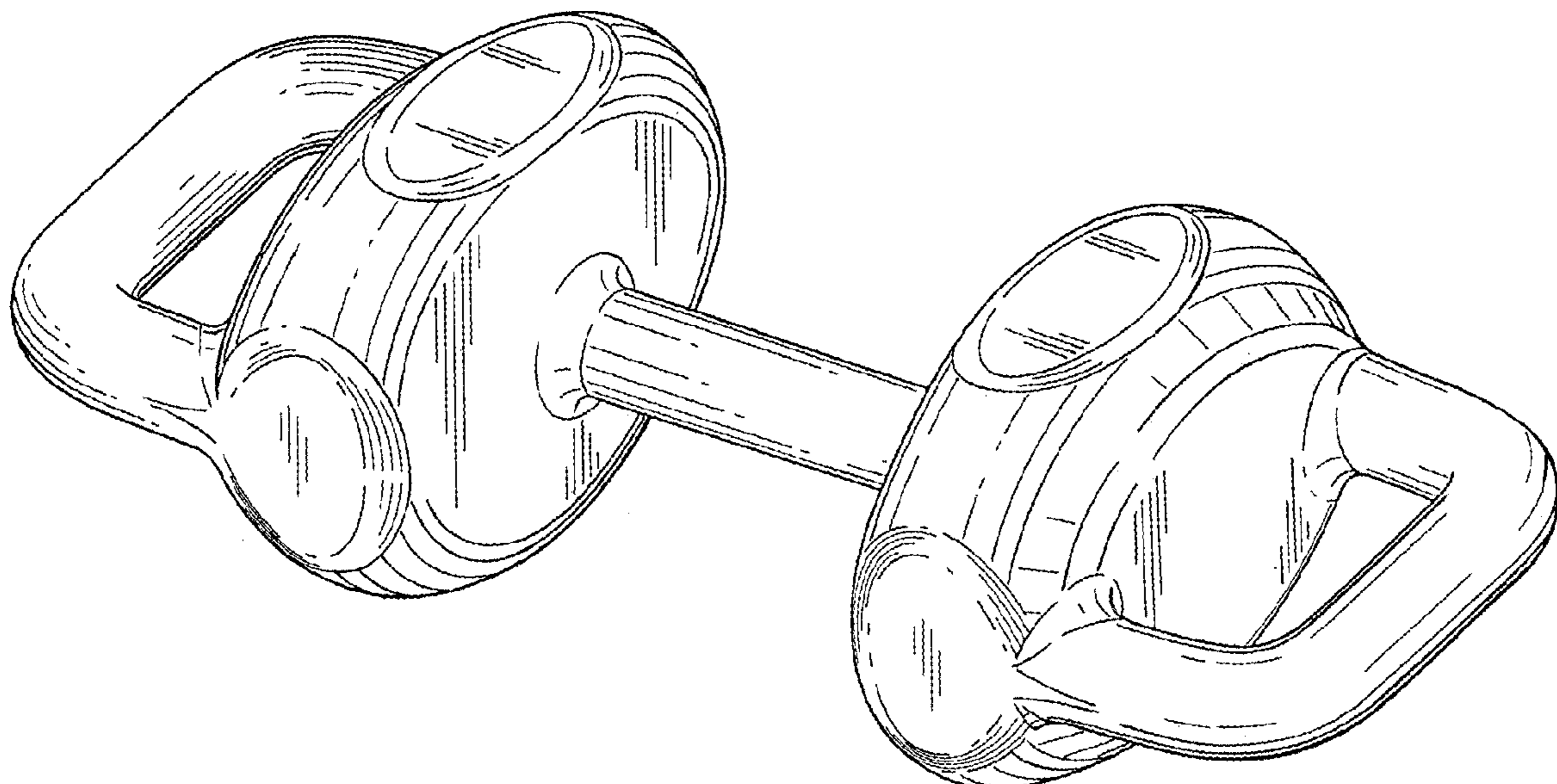
(57) **CLAIM**

The ornamental design for an exercise weight, as shown and described.

**DESCRIPTION**

FIG. 1 is a front, top and right side perspective view of an exercise weight showing my new design;  
FIG. 2 is a front and top perspective view thereof;  
FIG. 3 is a front elevational view thereof, the rear elevational view being identical;  
FIG. 4 is a left side elevational view thereof, the right side elevational view being identical; and,  
FIG. 5 is a top plan view thereof, the bottom plan view being identical.

**1 Claim, 3 Drawing Sheets**



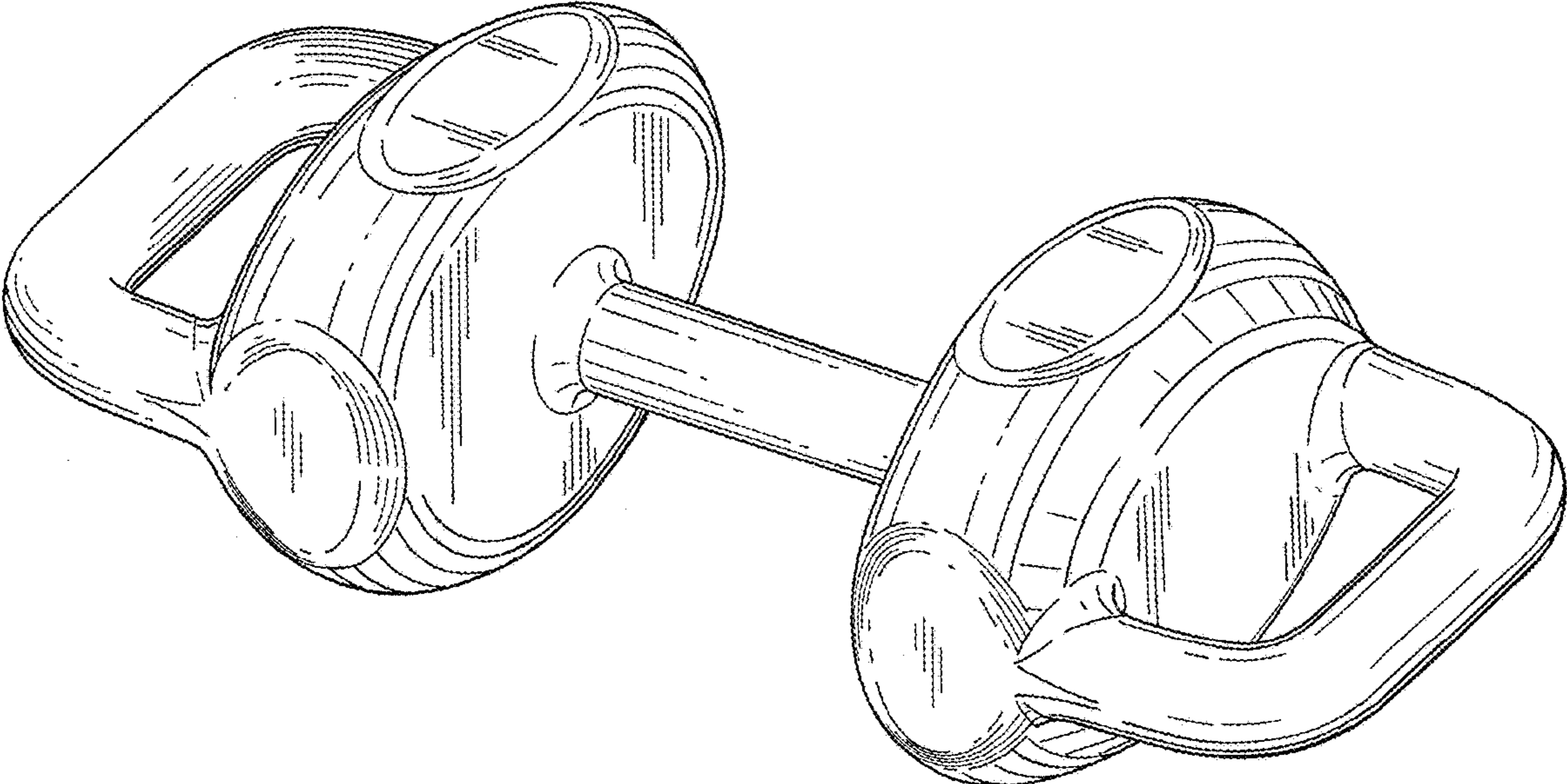


FIG. 1

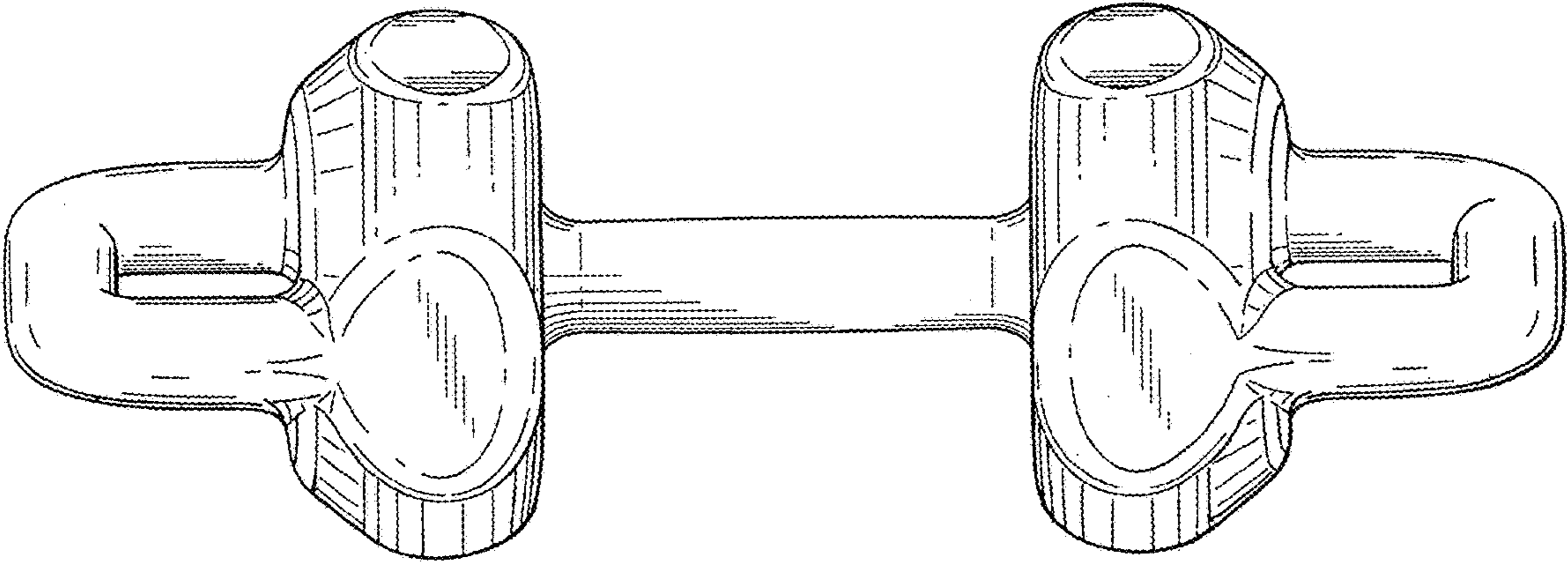


FIG. 2

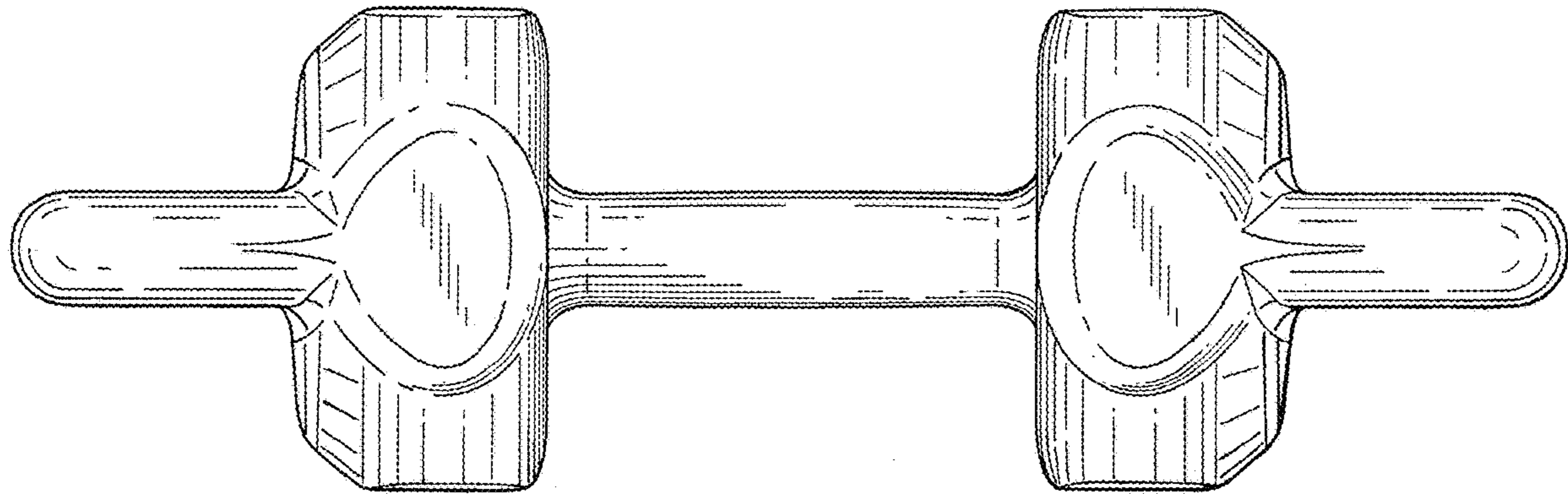


FIG. 3

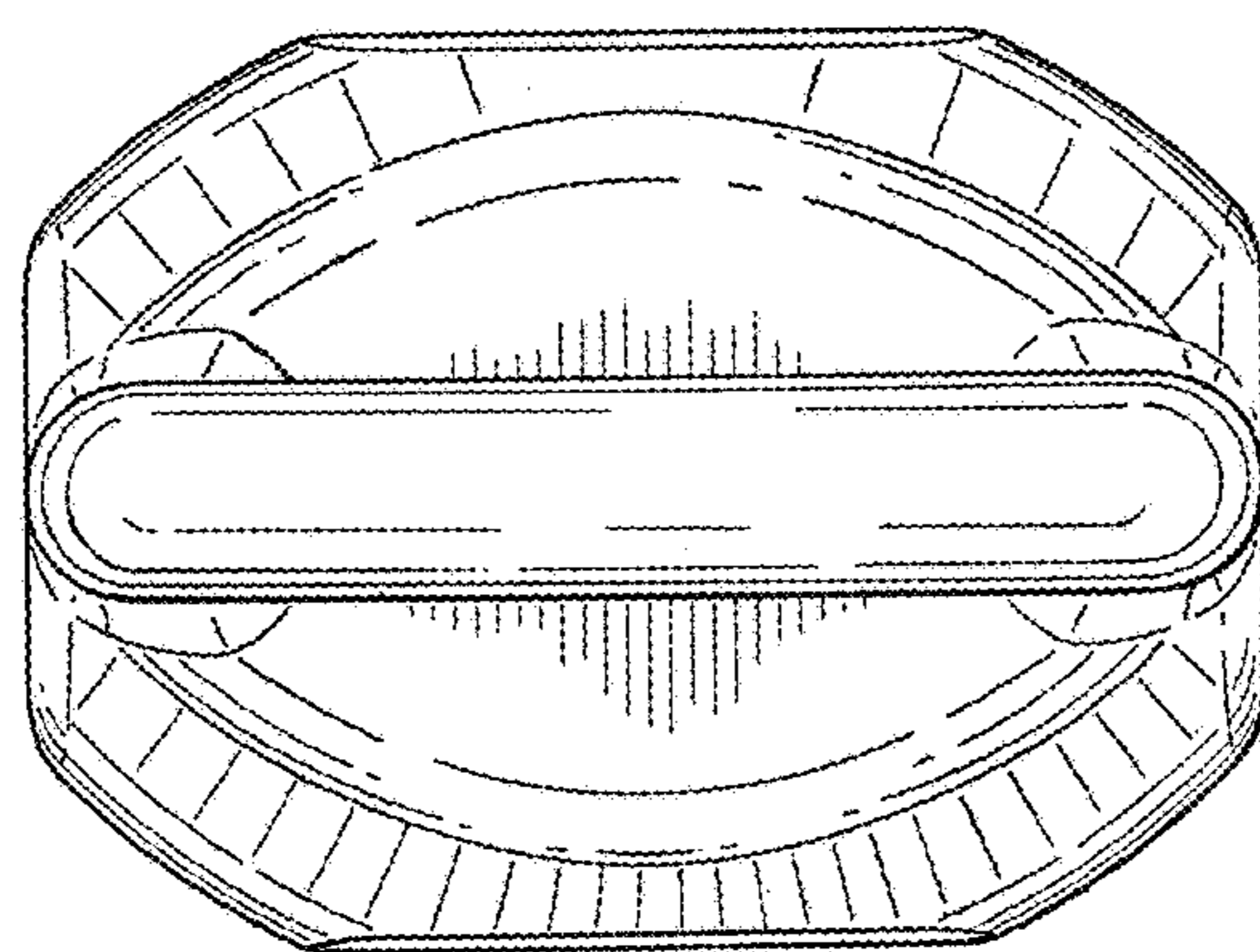


FIG. 4

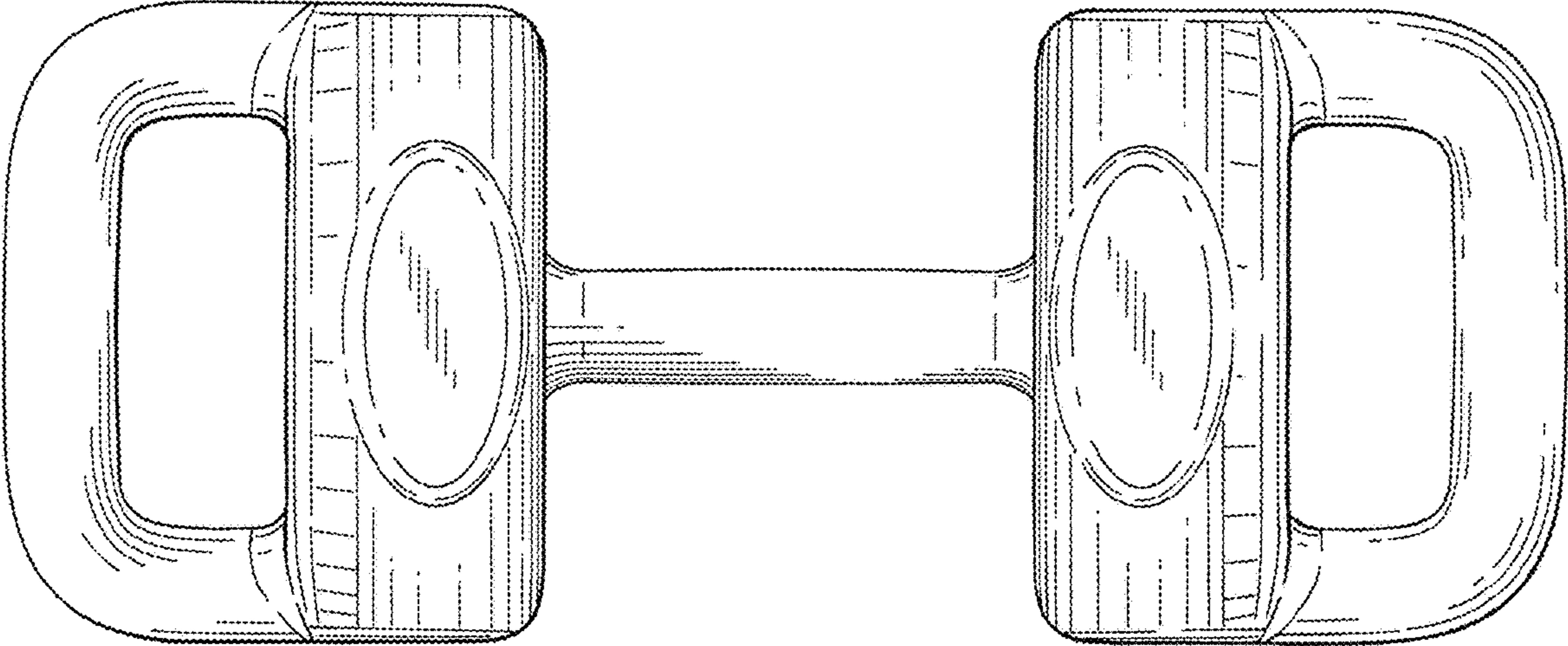


FIG. 5