



US00D847269S

(12) **United States Design Patent**
Leung

(10) **Patent No.:** **US D847,269 S**
(45) **Date of Patent:** **** Apr. 30, 2019**

(54) **COLLAPSIBLE AND PORTABLE
SHAPE-SORTING LEARNING AND
DEVELOPMENT TOY**

FOREIGN PATENT DOCUMENTS

CH 434954 A * 4/1967 G09F 1/10
DE 29910151 U1 * 11/1999 A47G 1/141

(Continued)

(71) Applicant: **Dwight N Leung**, Fallbrook, CA (US)

(72) Inventor: **Dwight N Leung**, Fallbrook, CA (US)

(**) Term: **15 Years**

(21) Appl. No.: **29/559,049**

(22) Filed: **Mar. 24, 2016**

(51) **LOC (11) Cl.** **21-01**

(52) **U.S. Cl.**

USPC **D21/470**; D19/59

(58) **Field of Classification Search**

USPC D21/334-337, 392, 393, 396, 468, 470,
D21/475, 476, 478-480; D19/20, 21, 25,
D19/40, 101, 102, 113, 114, 59, 60, 62;
D6/300-314, 332, 655.17, 656.1, 672,
D6/673, 675, 675.5, 676, 676.2, 676.4,
D6/676.5, 680, 680.1, 680.2, 680.3, 682,
D6/682.1, 682.2, 700, 701; D20/1, 12,
D20/15, 19, 40, 42, 43, 99;
D11/132-140, 142; 40/124.14, 124.15,
40/120, 592, 606.01, 606.18, 610, 700,
40/720, 725, 726, 729, 733, 734, 743,
40/745, 750, 754, 779, 780, 781, 786,
40/788, 789; 248/441.1, 444.1, 450, 455,
248/457, 459, 460, 461, 469, 472, 174;
434/128, 259, 365, 393, 403, 407, 429,
434/430; 446/75, 227, 487-489;
273/398, 400, 402, 404, 406-410, 285,
273/287, 148 R, 309, 153 R, 157 R;
D10/109.1, 109.2, 113.1-113.4

(Continued)

(56) **References Cited**

U.S. PATENT DOCUMENTS

1,931,378 A * 10/1933 Fancher A63H 33/30
281/28
2,506,189 A * 5/1950 Attridge A63F 9/1044
273/157 R

(Continued)

Primary Examiner — Catherine A Tuttle

(74) *Attorney, Agent, or Firm* — Law Office of Scott C
Harris, Inc

(57) **CLAIM**

I claim the ornamental design for a collapsible and portable
shape-sorting learning and development toy, as shown and
described.

DESCRIPTION

FIG. 1 is an isometric view of the collapsible and portable
shape-sorting learning and development toy embodying
my new design;

FIG. 2 is a top plan view thereof;

FIG. 3 is a front elevational view thereof;

FIG. 4 is a left side elevational view thereof;

FIG. 5 is a right side elevational view thereof, seen in the
direction of arrows 5 in

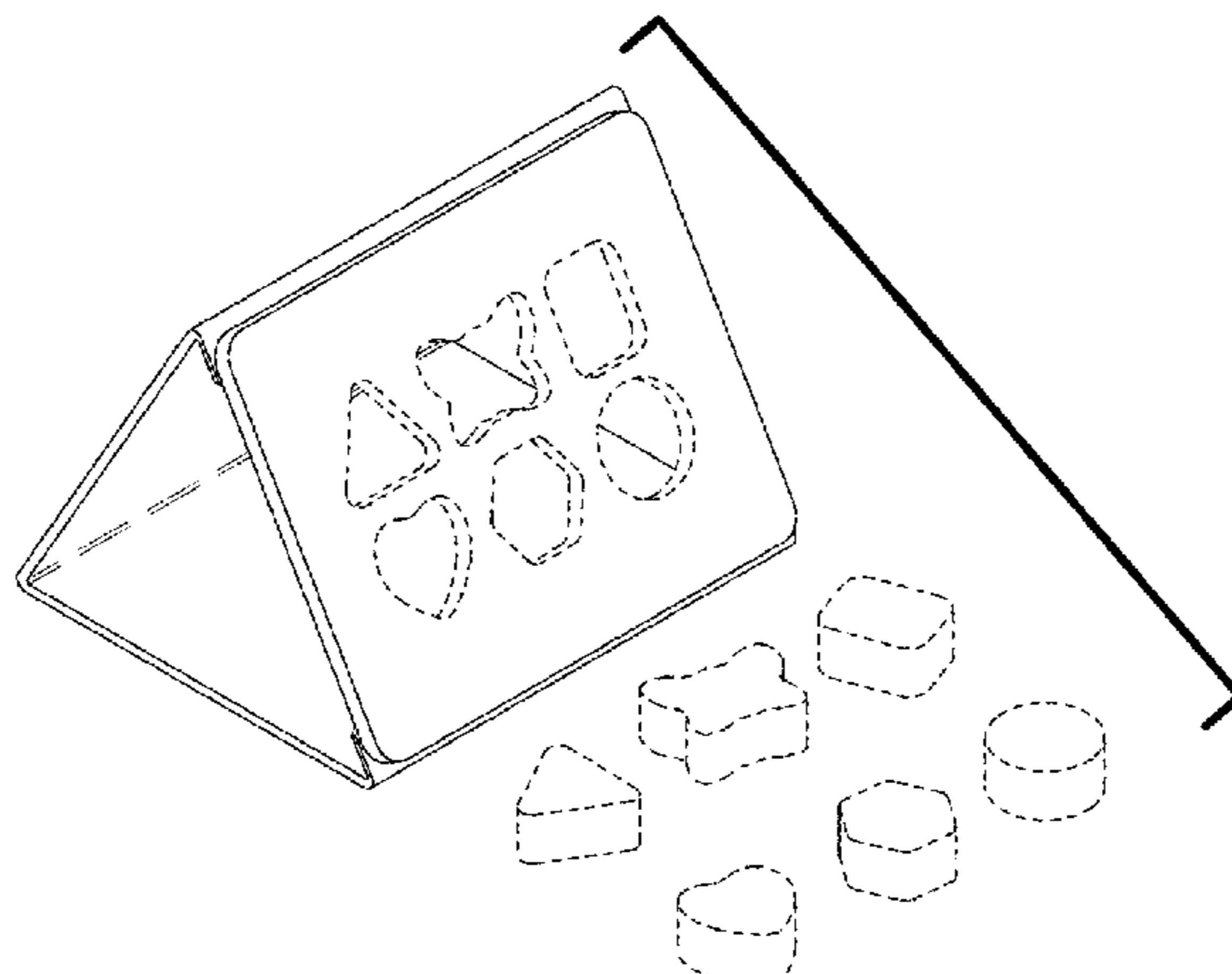
FIG. 6 is an upper rear view thereof, seen in the direction of
arrows 6 in FIG. 5;

FIG. 7 is an upper front view thereof, seen in the direction
of arrows 7 in FIG. 5; and,

FIG. 8 is a bottom plan view thereof, seen in the direction
of arrows 8 in FIG.

The broken lines shown are included for the purpose of
illustrating portions of the shape-sorting learning and devel-
opment toy invention that form no part of the claimed
invention.

1 Claim, 2 Drawing Sheets



(58) **Field of Classification Search**

CPC A63F 2009/0035; A63F 2009/0668; A63F 9/06; A63F 9/0666; A63F 2250/18; A63F 2250/285; A47D 15/00; A47D 15/008; A63H 33/00; A63H 33/006; A63H 33/22; A47G 1/02; A47G 1/06; A47G 1/14; A47G 1/141; G09B 1/06; G09B 1/10; G09F 7/00; G09F 7/18; G09F 1/06; G09F 1/10; G09F 1/12; A47B 97/04; A47B 97/08; B42D 15/042; B42D 5/043; B42D 5/045

See application file for complete search history.

(56) **References Cited**

U.S. PATENT DOCUMENTS

2,921,388 A * 1/1960 Stefany G09B 1/08
335/285
3,088,738 A * 5/1963 Meyer F41J 3/0004
206/45.2
3,690,620 A * 9/1972 Matson E01F 9/688
248/459
4,366,636 A * 1/1983 Hearsh G09F 1/12
229/71
4,450,638 A * 5/1984 Bader A47G 1/141
40/754
4,604,062 A * 8/1986 Woods G09B 11/10
434/259
5,190,287 A * 3/1993 Ishiyama A63F 9/0666
273/156
5,332,230 A * 7/1994 Benedict A63B 67/06
273/400
D353,671 S * 12/1994 Goldman D24/130

5,418,020 A * 5/1995 Crane B42D 15/042
428/12
6,142,786 A * 11/2000 Culberson G09B 1/06
273/440
D544,922 S * 6/2007 Shaffer D20/10
9,713,776 B1 * 7/2017 Leung A63H 33/006
2001/0016996 A1 * 8/2001 Olson A47G 1/141
40/789
2003/0038423 A1 * 2/2003 Turner A63F 9/0666
273/157 R
2004/0259070 A1 * 12/2004 Goodstein A63H 33/006
434/428
2006/0134589 A1 * 6/2006 Goodwin G09B 23/28
434/259
2007/0039218 A1 * 2/2007 Shaffer G09F 1/06
40/605
2007/0278740 A1 * 12/2007 Mao A63F 9/10
273/157 R
2010/0223824 A1 * 9/2010 Mandelbaum B42D 15/022
40/463
2014/0194031 A1 * 7/2014 Tobias A63H 33/008
446/227
2014/0215869 A1 * 8/2014 Emoff G09F 1/04
40/124.14
2015/0173221 A1 * 6/2015 Yoo H05K 5/0234
248/455
2016/0114613 A1 * 4/2016 Bogdanski B42D 15/042
40/124.03

FOREIGN PATENT DOCUMENTS

DE 10218205 A1 * 11/2003 G09F 7/00
DE 102015016126 A1 * 10/2016 G09F 1/06
GB 338830 A * 11/1930 B42D 5/041

* cited by examiner

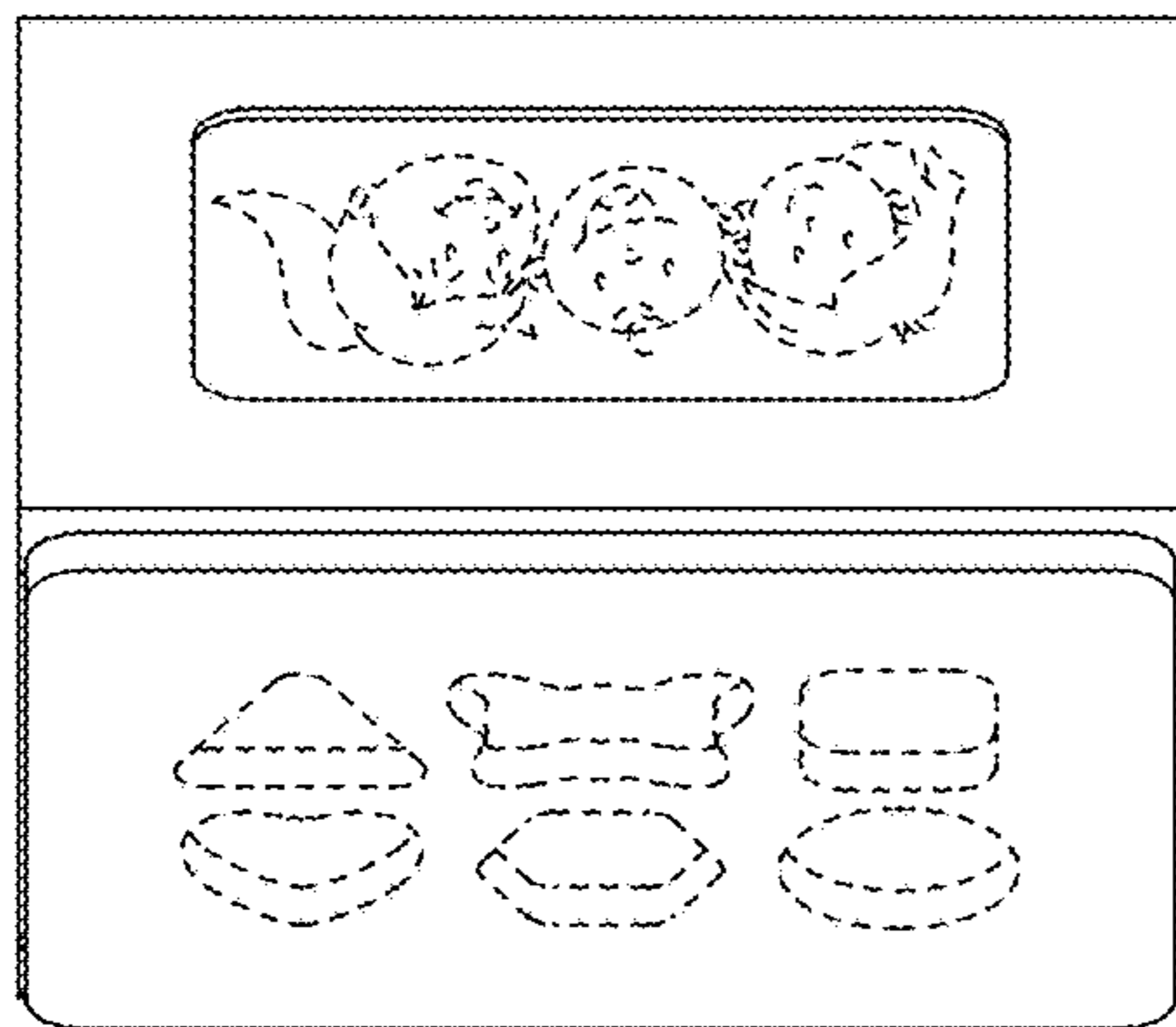
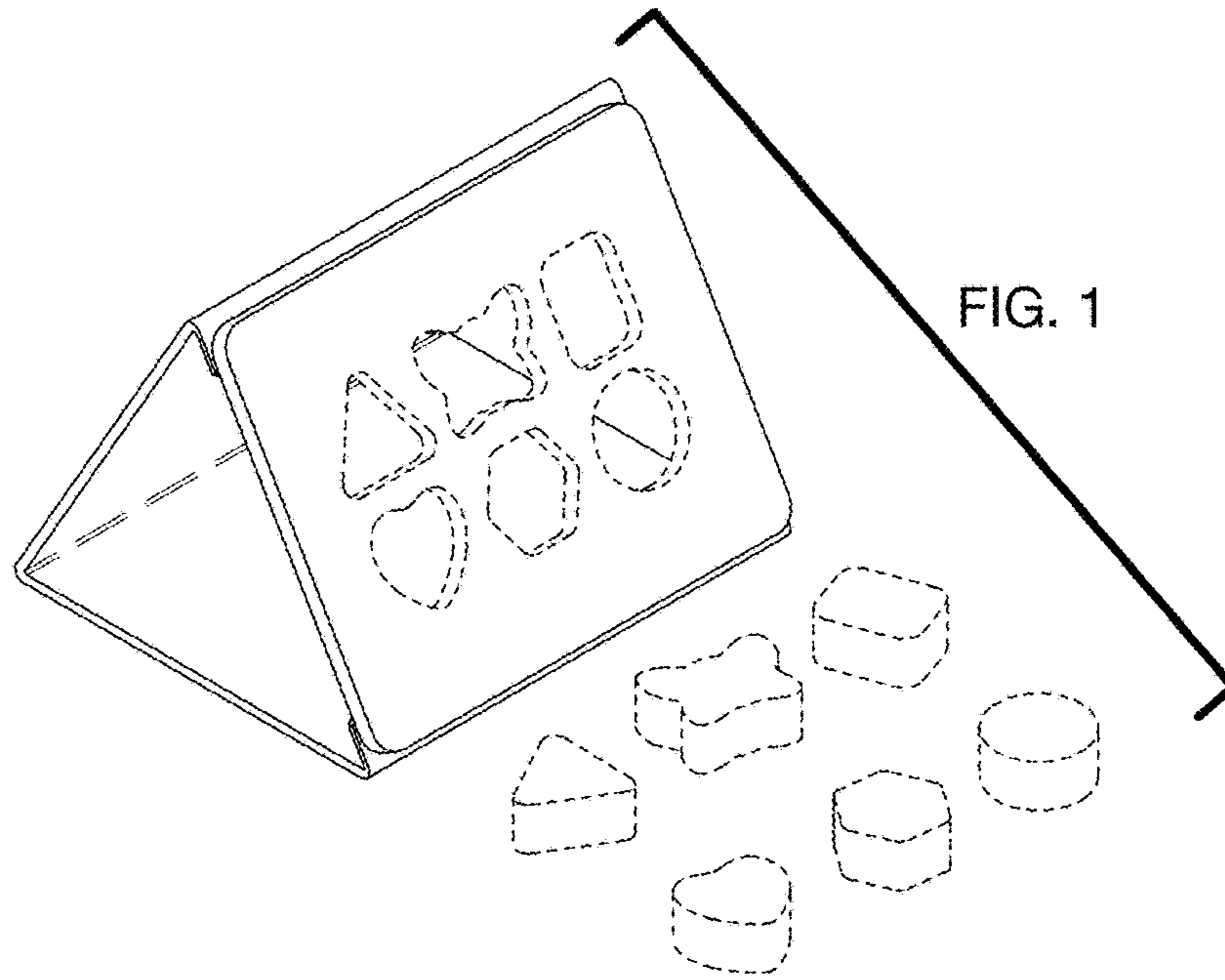


FIG. 2

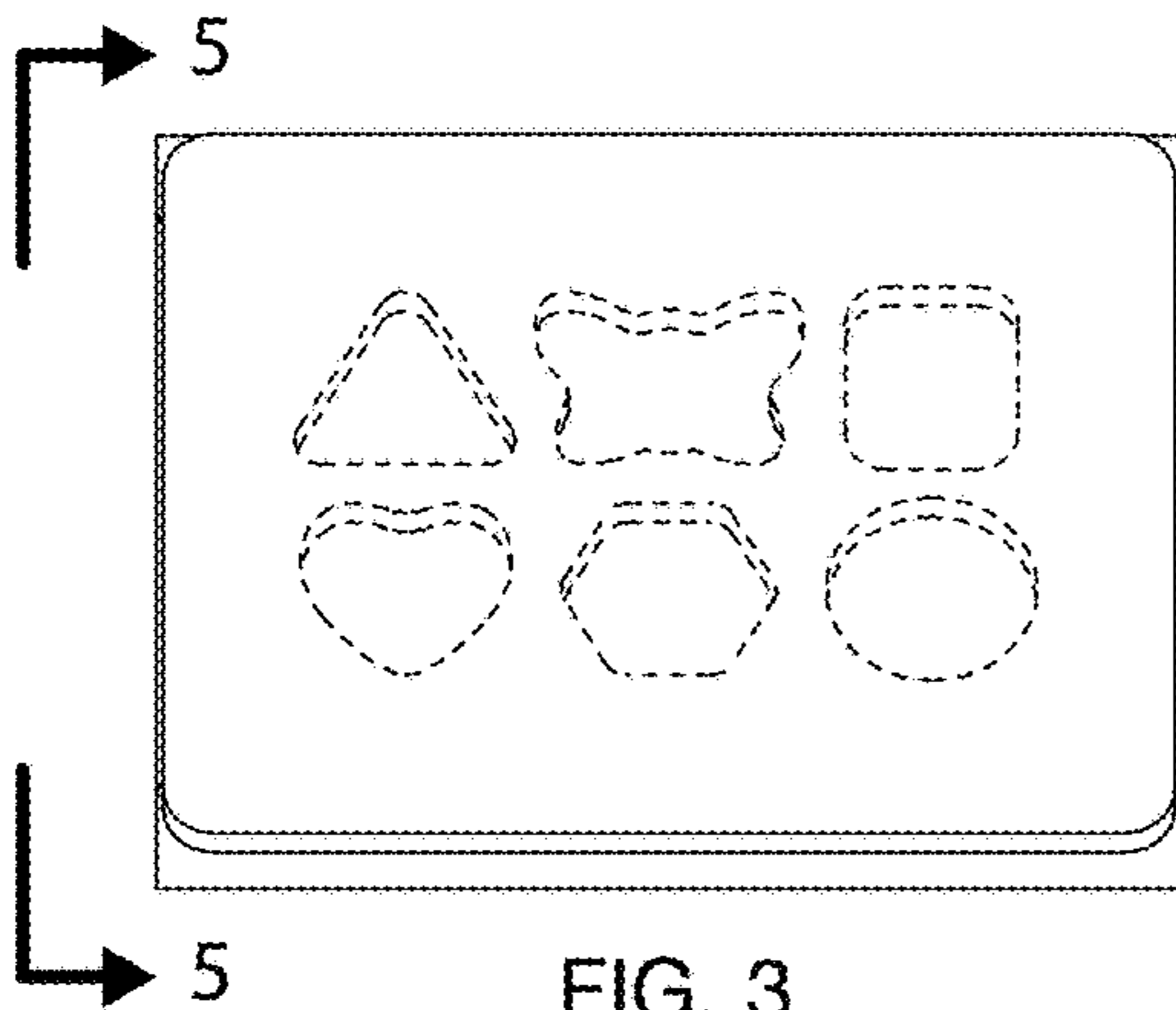


FIG. 3

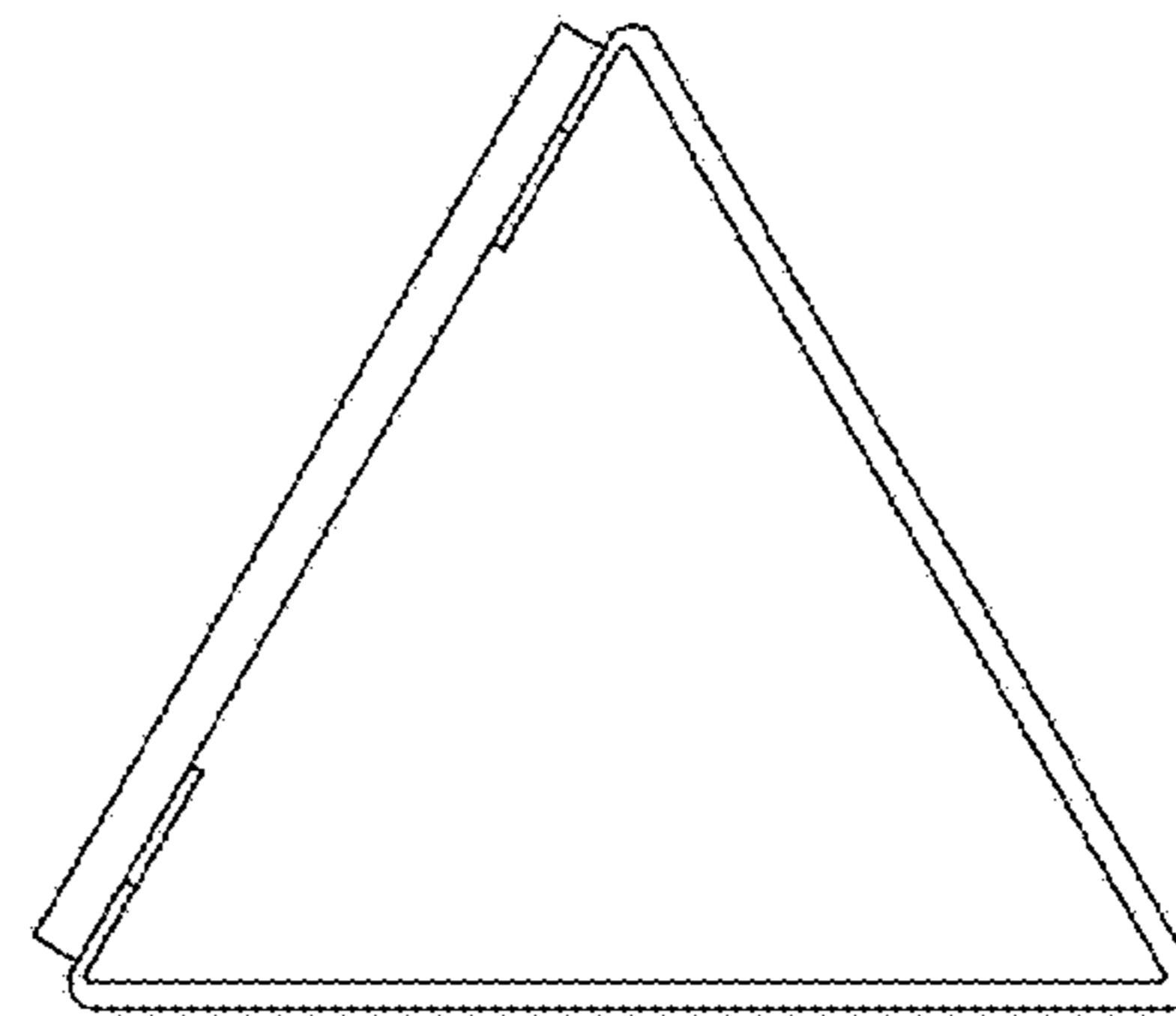


FIG. 4

