



US00D847262S

(12) **United States Design Patent**
Schnug

(10) **Patent No.:** **US D847,262 S**

(45) **Date of Patent:** **** Apr. 30, 2019**

(54) **PEN**

(71) Applicant: **PAGANI PENS SA**, Cadempino (CH)

(72) Inventor: **Christoph Schnug**, Berlin (DE)

(**) Term: **15 Years**

(21) Appl. No.: **35/504,551**

(22) Filed: **Feb. 14, 2018**

(80) **Hague Agreement Data**

Int. Filing Date: **Feb. 14, 2018**

Int. Reg. No.: **DM/099964**

Int. Reg. Date: **Feb. 14, 2018**

Int. Reg. Pub. Date: **Mar. 9, 2018**

(51) **LOC (11) Cl.** **19-06**

(52) **U.S. Cl.**
USPC **D19/171**

(58) **Field of Classification Search**
USPC D19/115-204; D14/411
CPC B43K 24/03; B43K 23/12; B43K 23/001;
G09B 5/04; G06F 3/03545
See application file for complete search history.

(56) **References Cited**

U.S. PATENT DOCUMENTS

- D146,335 S * 2/1947 Colomy D19/171
- D168,715 S * 1/1953 Spatz D19/171
- D463,491 S * 9/2002 Hwang D19/171

- D471,930 S * 3/2003 Stropkay D19/174
- D476,685 S * 7/2003 Metaxatos D19/171
- D488,188 S * 4/2004 Keda D19/174
- D553,678 S * 10/2007 Cram D19/171
- D558,826 S * 1/2008 Tam D19/132
- D579,497 S * 10/2008 Yoon D19/171
- D580,493 S * 11/2008 Fei D19/171
- D590,881 S * 4/2009 Slempe D19/171
- D612,888 S * 3/2010 Rolion D19/171
- D672,816 S * 12/2012 Li D19/171
- D689,933 S * 9/2013 Li D19/171
- D694,326 S * 11/2013 Cambianica D19/173
- D717,941 S * 11/2014 Mach D24/113
- D730,987 S * 6/2015 Schnug D19/171
- D780,268 S * 2/2017 Laemle D19/170
- D797,191 S * 9/2017 Schnug D19/171
- D826,330 S * 8/2018 Bo D19/173

* cited by examiner

Primary Examiner — Khawaja Anwar

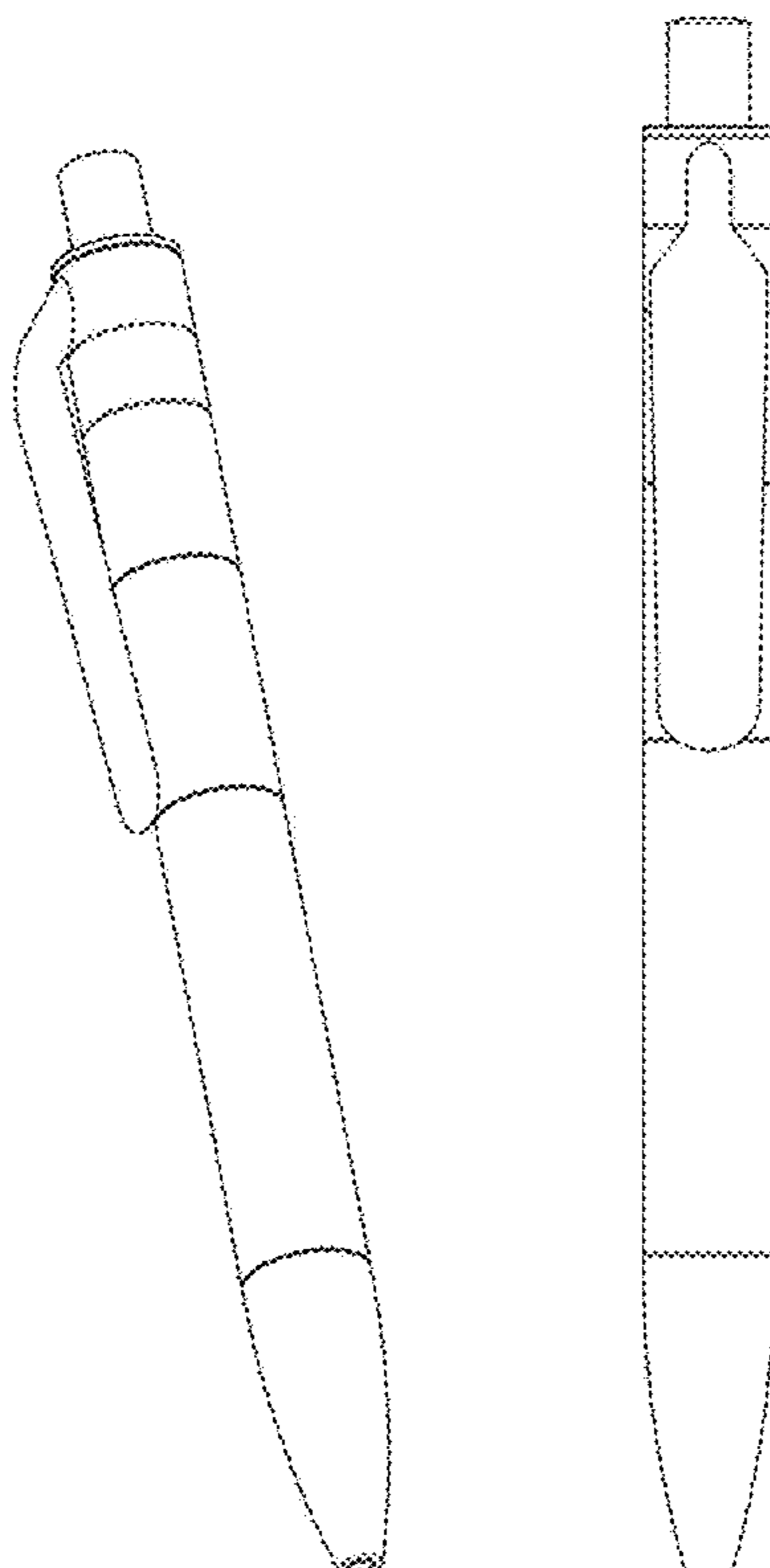
(57) **CLAIM**

The ornamental design for a pen, as shown and described.

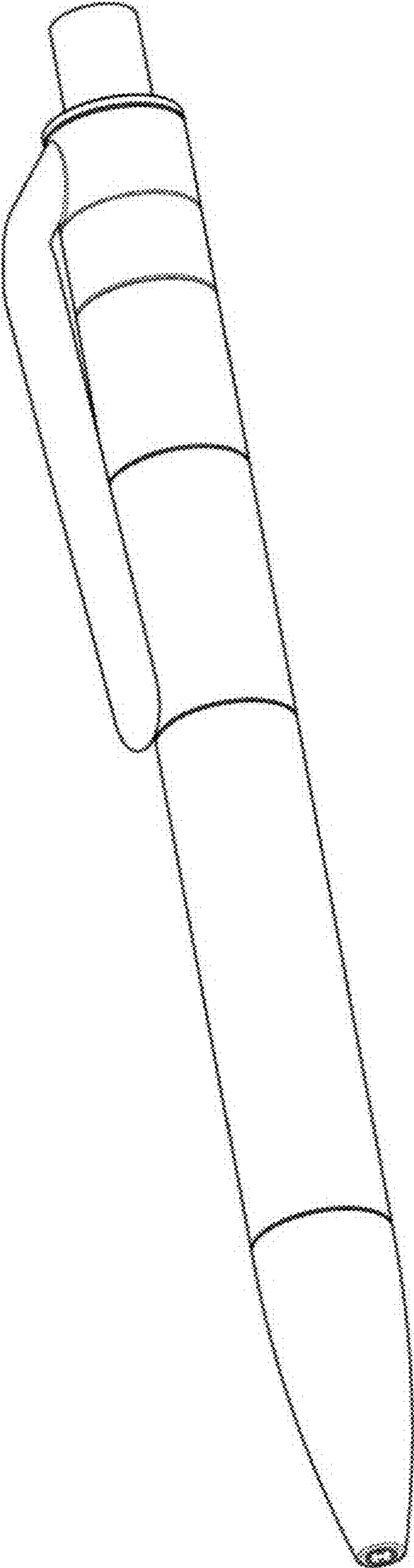
DESCRIPTION

- 1. Pen
- 1.1 : Perspective
- 1.2 : Left
- 1.3 : Right
- 1.4 : Front
- 1.5 : Back
- 1.6 : Top
- 1.7 : Bottom

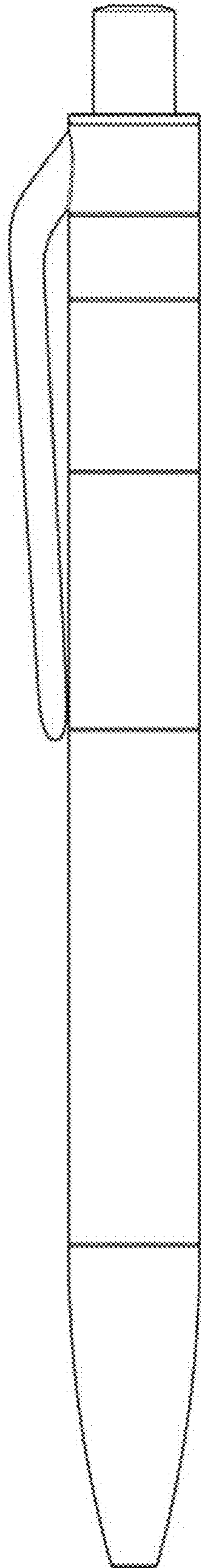
1 Claim, 7 Drawing Sheets



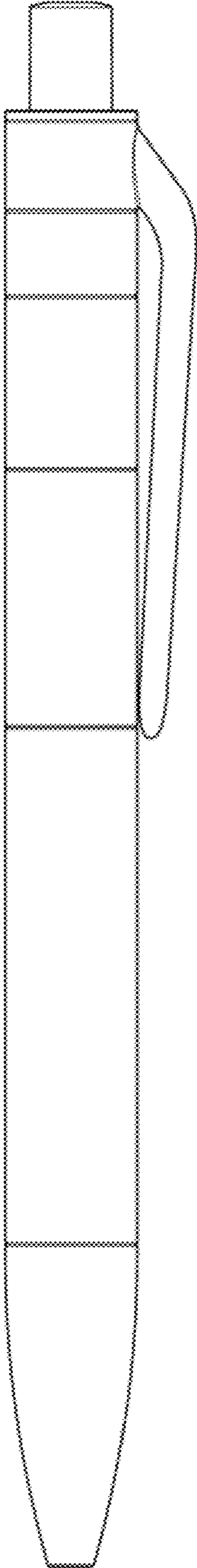
1.1



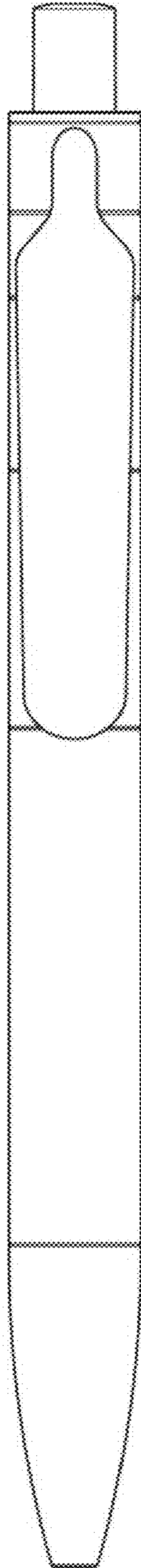
1.2



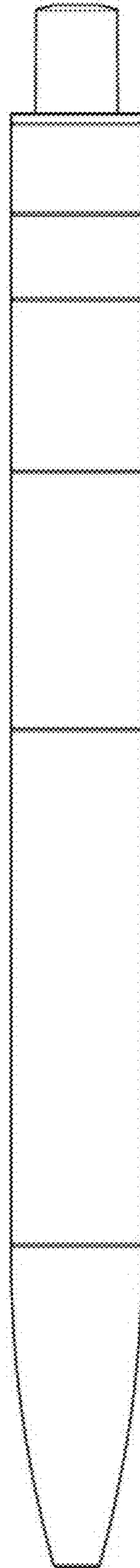
1.3



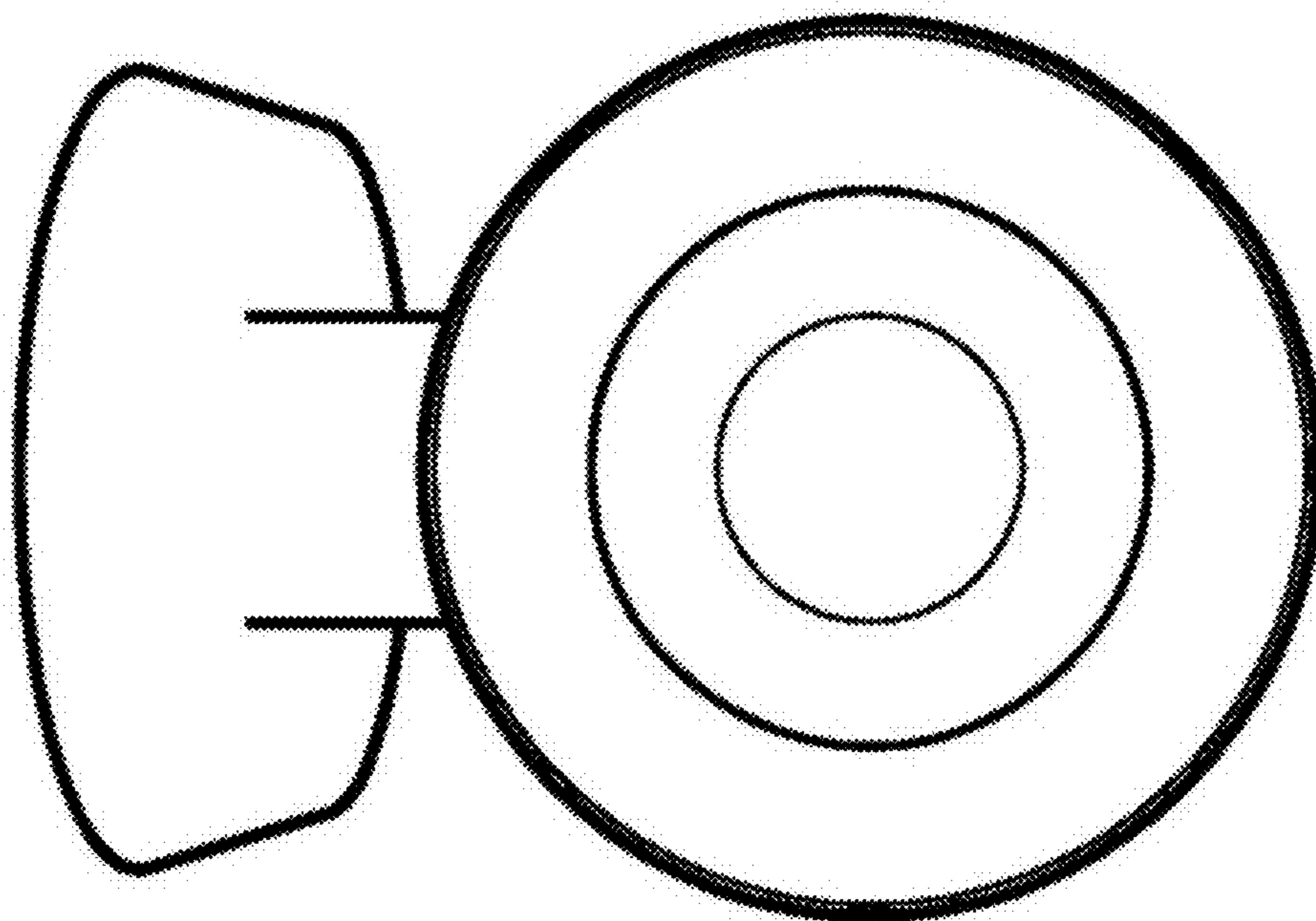
1.4



1.5



1.6



1.7

