



US00D847258S

(12) **United States Design Patent** (10) **Patent No.:** **US D847,258 S**
Kang (45) **Date of Patent:** **** Apr. 30, 2019**

(54) **ADHESIVE TAPE**
(71) Applicant: **Heejoong Kang**, Gyeonggi-Do (KR)
(72) Inventor: **Heejoong Kang**, Icheon-si (KR)
(**) Term: **15 Years**
(21) Appl. No.: **35/504,349**
(22) Filed: **Jul. 23, 2017**

D571,859 S * 6/2008 Harmston D19/69
D572,156 S * 7/2008 Payne D10/71
D602,989 S * 10/2009 Alicea D19/69
D633,213 S * 2/2011 Cowles D24/189
D634,128 S * 3/2011 Alicea D5/7
D663,778 S * 7/2012 Fung D19/69
D708,255 S * 7/2014 Stevens D19/69
D741,406 S * 10/2015 Doucette D19/69
D759,754 S * 6/2016 Stevens D19/69
D782,687 S * 3/2017 Mackay D24/189
D812,306 S * 3/2018 Gill D29/101.1

* cited by examiner

(80) **Hague Agreement Data**
Int. Filing Date: **Jul. 23, 2017**
Int. Reg. No.: **DM/099225**
Int. Reg. Date: **Jul. 23, 2017**
Int. Reg. Pub. Date: **Jan. 26, 2018**

Primary Examiner — Khawaja Anwari
(74) *Attorney, Agent, or Firm* — Renaissance IP Law Group LLP

(51) **LOC (11) Cl.** **19-99**
(52) **U.S. Cl.**
USPC **D19/69**
(58) **Field of Classification Search**
USPC D19/69; D10/71; D24/189; D5/99;
D7/585; D13/182
CPC C08F 220/18; B65H 35/00; B65H 27/00
See application file for complete search history.

(57) **CLAIM**

The ornamental design for an adhesive tape, as shown and described.

(56) **References Cited**

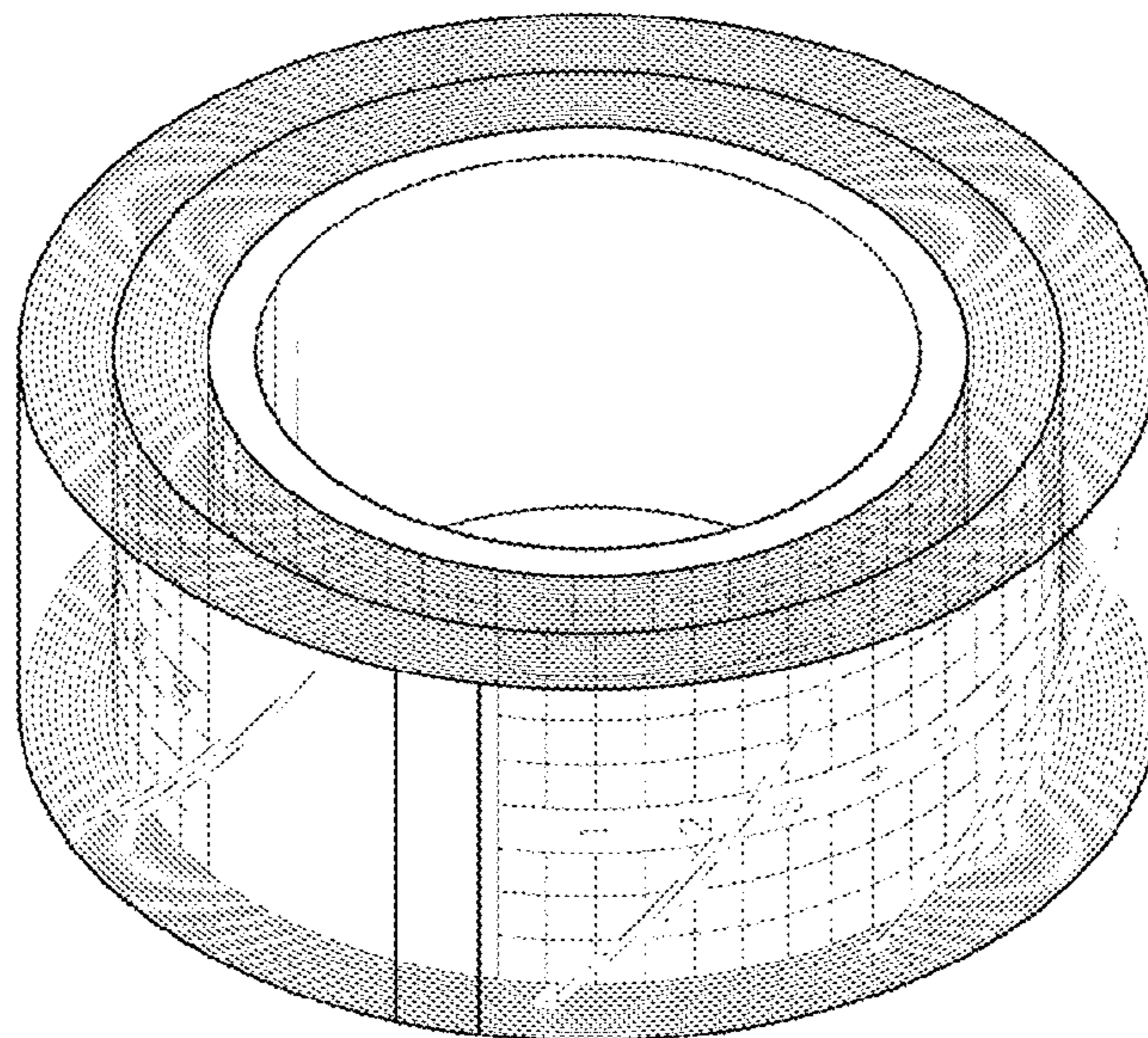
DESCRIPTION

U.S. PATENT DOCUMENTS

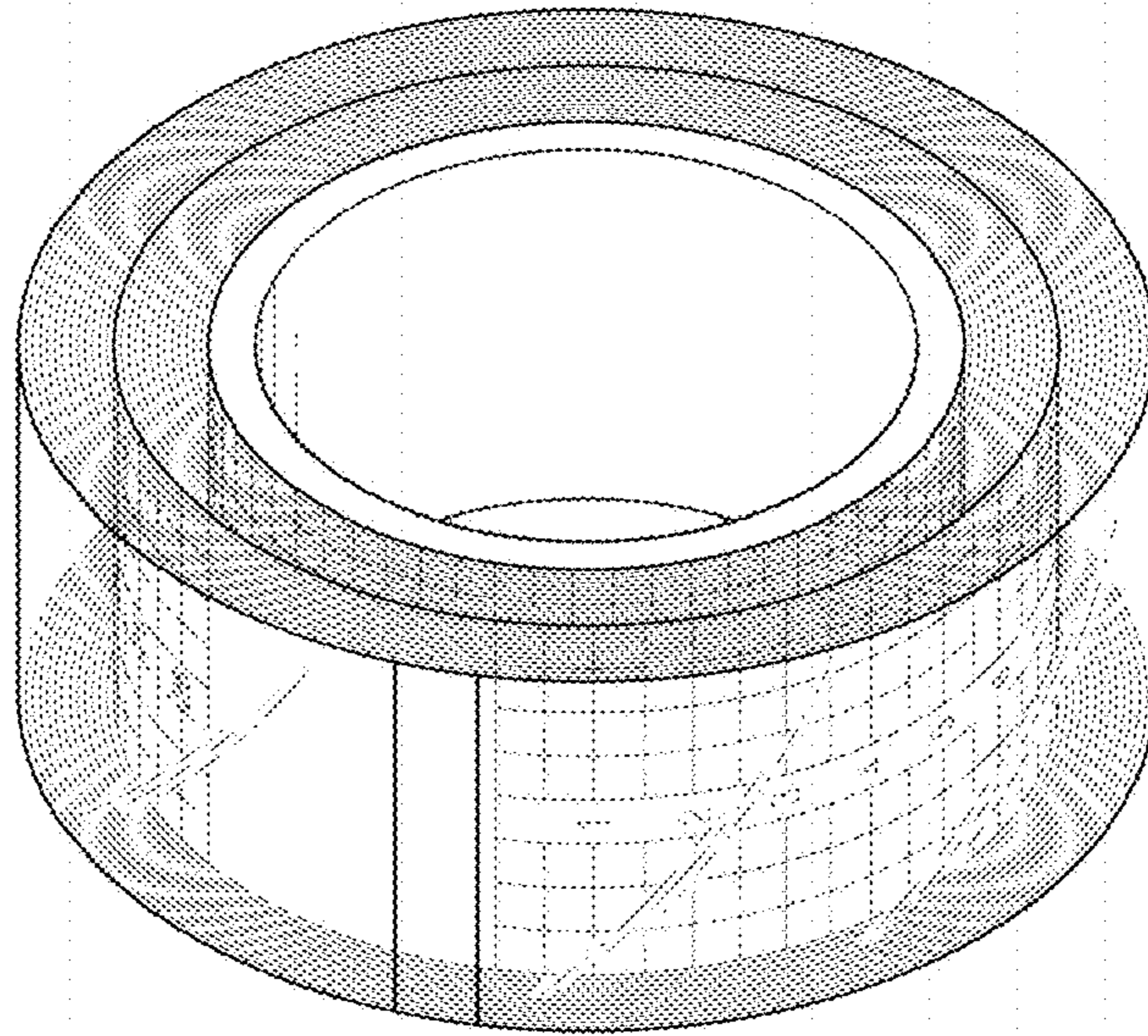
D472,319 S * 3/2003 Oltmann D24/189
6,617,007 B1 * 9/2003 Cram B65H 19/2207
156/184

- 1. Adhesive tape
- 1.1 : Perspective
- 1.2 : Front
- 1.3 : Back
- 1.4 : Top
- 1.5 : Bottom
- 1.6 : Left
- 1.7 : Right

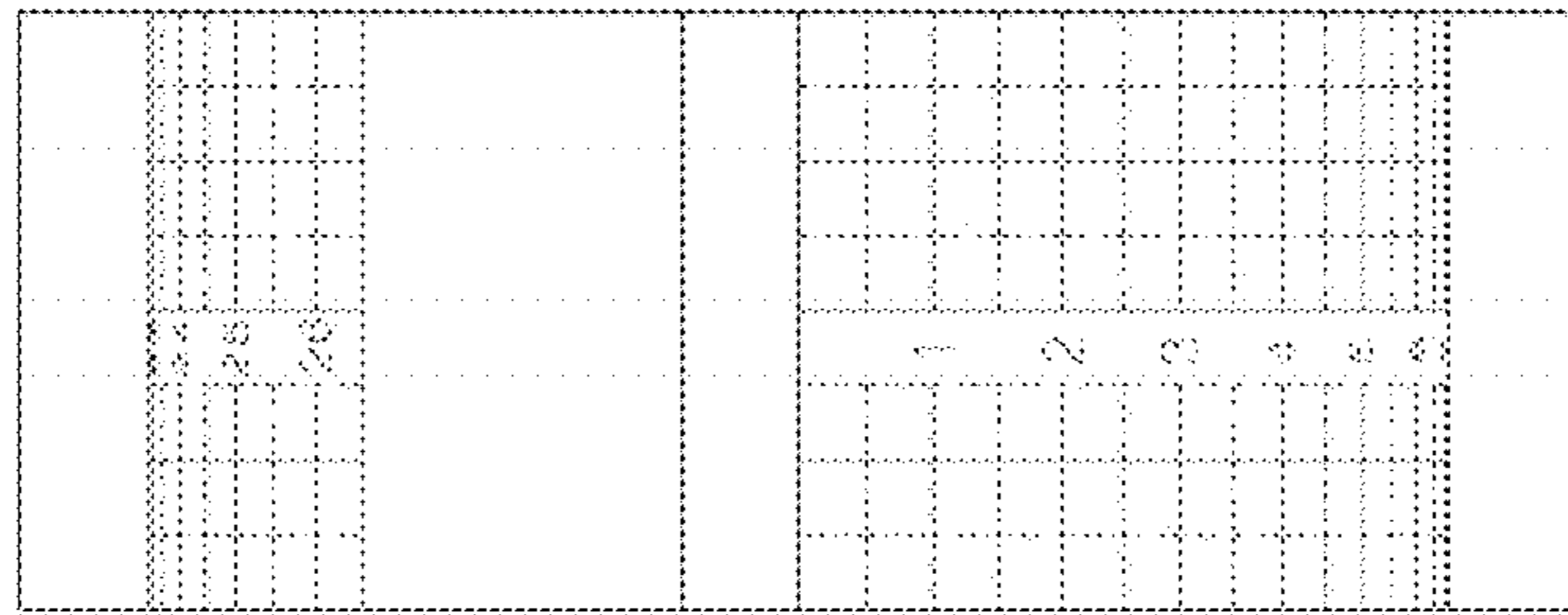
1 Claim, 7 Drawing Sheets



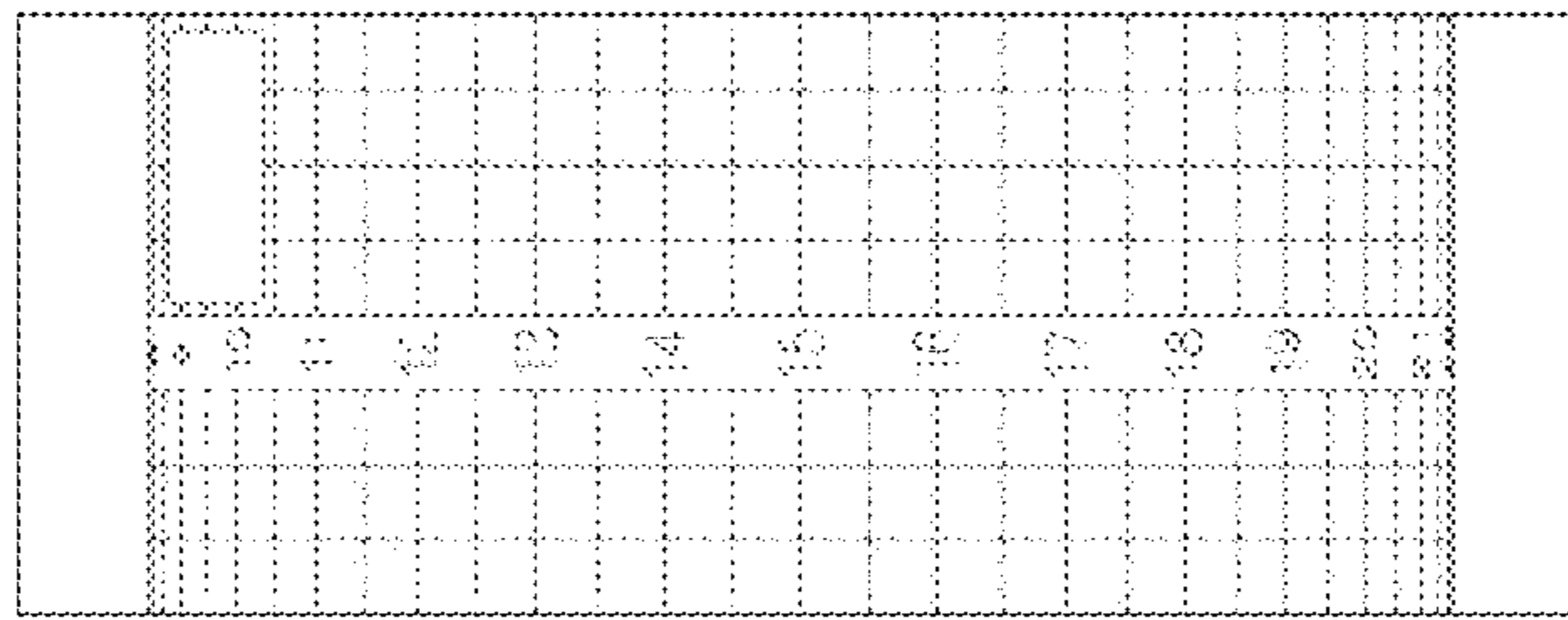
1.1



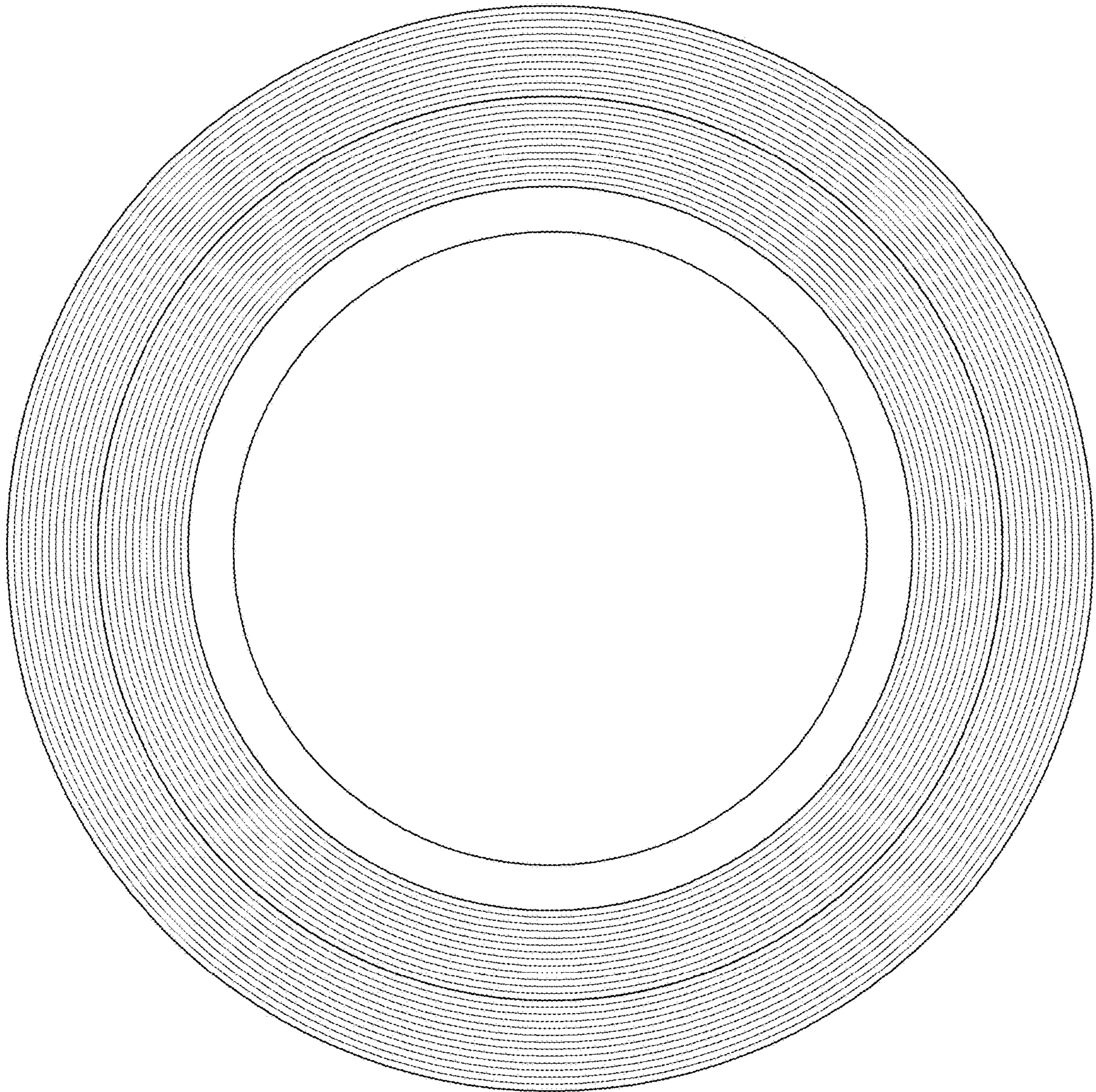
1.2



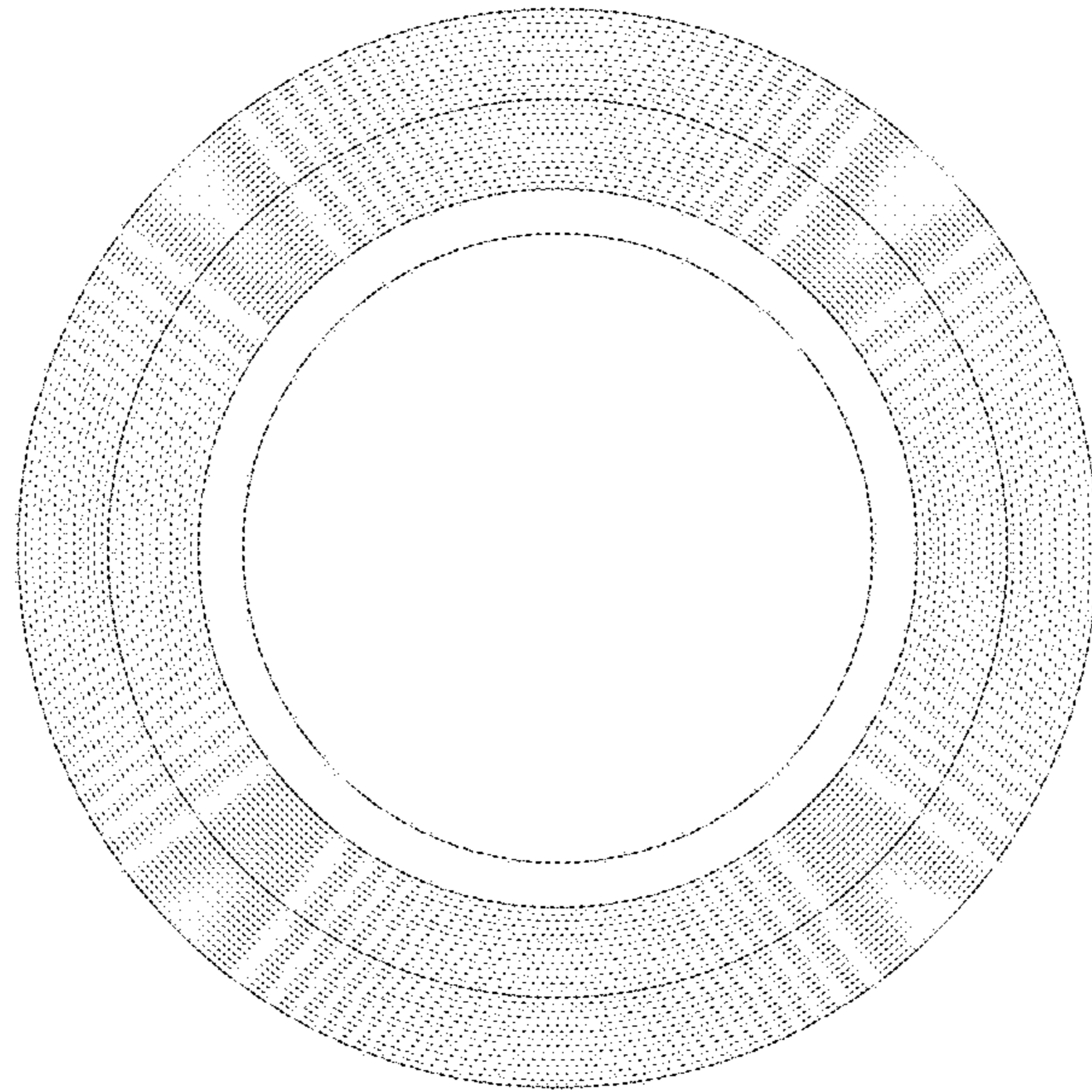
1.3



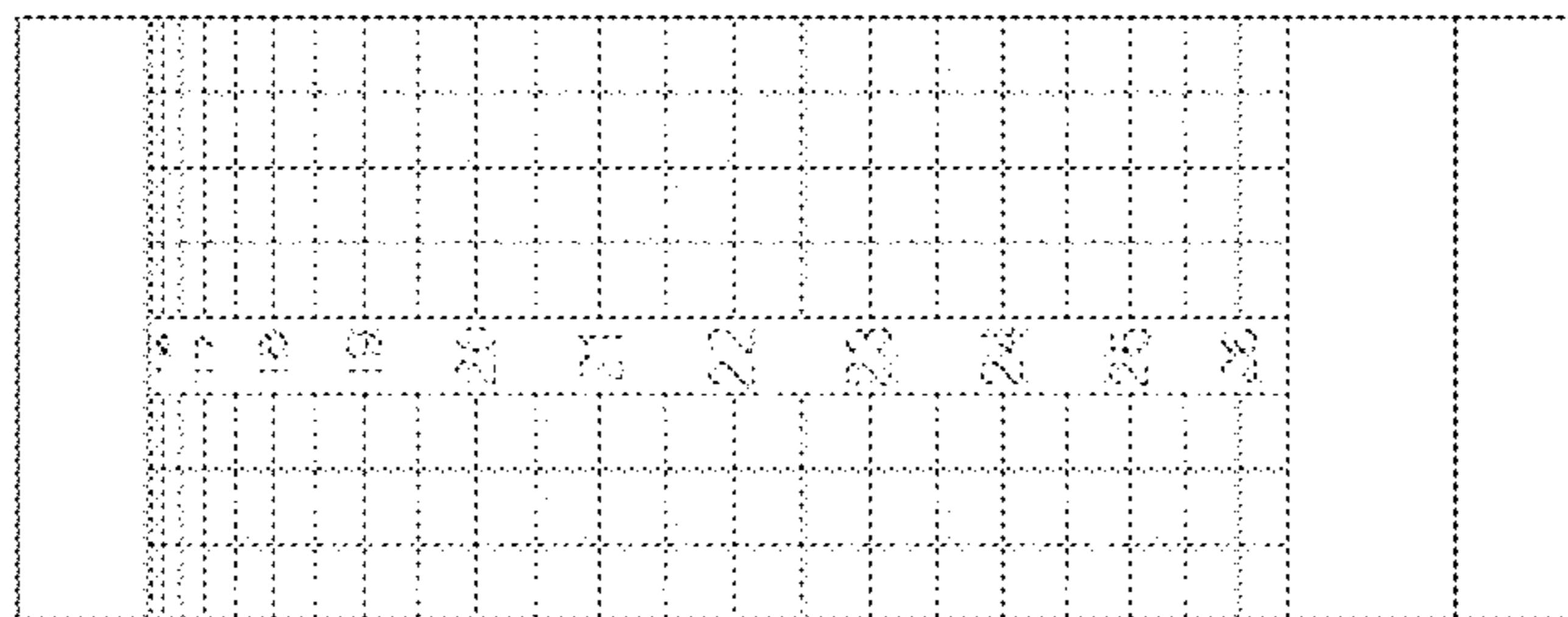
1.4



1.5



1.6



1.7

