



US00D847257S

(12) **United States Design Patent**  
**Phang et al.**

(10) **Patent No.:** **US D847,257 S**  
(45) **Date of Patent:** **\*\* Apr. 30, 2019**

- (54) **TERRESTRIAL GLOBE**
- (71) Applicant: **IDT Electronics (Shenzhen) Co., Ltd.**,  
Shenzhen, Guangdong (CN)
- (72) Inventors: **Foo Piau Phang**, Shenzhen (CN); **Jiao Chen**,  
Shenzhen (CN); **Yongsheng Ou**, Shenzhen (CN)
- (73) Assignee: **IDT Electronics (Shenzhen) Co., Ltd.**,  
Shenzhen (CN)

- (\*\*) Term: **15 Years**
- (21) Appl. No.: **29/613,200**
- (22) Filed: **Aug. 8, 2017**

(30) **Foreign Application Priority Data**

Apr. 21, 2017 (CN) ..... 2017 3 036409

- (51) **LOC (11) Cl.** ..... **19-07**
- (52) **U.S. Cl.**  
USPC ..... **D19/61**
- (58) **Field of Classification Search**  
USPC ..... D19/59-64  
CPC ..... G06N 99/005; G09B 27/00; G09B 27/02;  
G09B 27/04; G09B 27/06; G09B 27/08  
See application file for complete search history.

(56) **References Cited**

**U.S. PATENT DOCUMENTS**

- 1,897,580 A \* 2/1933 Lawton ..... G09B 27/08  
434/131
- 2,102,413 A \* 12/1937 Hall ..... G09B 27/02  
33/1 SA
- 2,200,821 A \* 5/1940 Colberg ..... G09B 27/08  
362/809
- 2,967,358 A \* 1/1961 Fay ..... B64G 7/00  
434/140
- D249,534 S \* 9/1978 Denney ..... D19/61
- D260,779 S \* 9/1981 Wenger ..... D19/61
- D352,312 S \* 11/1994 Butler ..... 434/131

- D417,466 S \* 12/1999 Ho ..... D19/59
- D506,223 S \* 6/2005 Green ..... D19/61
- D531,671 S \* 11/2006 Chan ..... D19/61
- 8,082,271 B2 \* 12/2011 Chan ..... G06F 3/03545  
707/781

(Continued)

**FOREIGN PATENT DOCUMENTS**

- KR 20020096019 A \* 12/2002 ..... G09B 27/02
- WO WO-2008140279 A2 \* 11/2008 ..... G09B 27/02

**OTHER PUBLICATIONS**

Overstock. Link: <https://www.overstock.com/Food-Gifts/IntelliGlobe-II-World-Globe/13742612/product.html>. Feb. 22, 2018. IntelliGlobe II World Globe. (Year: 2018).\*

*Primary Examiner* — Ian Simmons  
*Assistant Examiner* — Lauren D McVey

(74) *Attorney, Agent, or Firm* — Peter J. Ims; Westman, Champlin & Koehler, P.A.

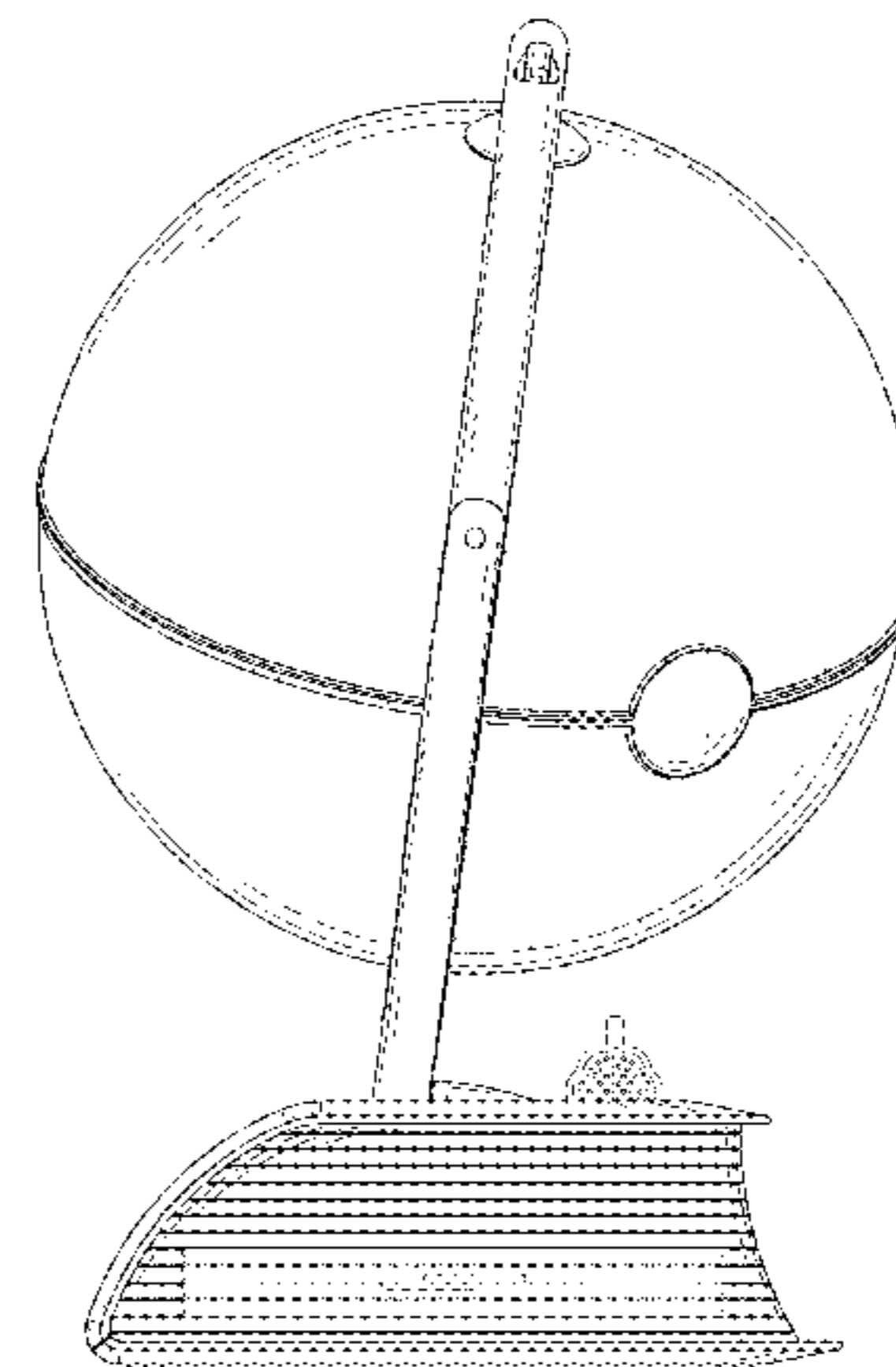
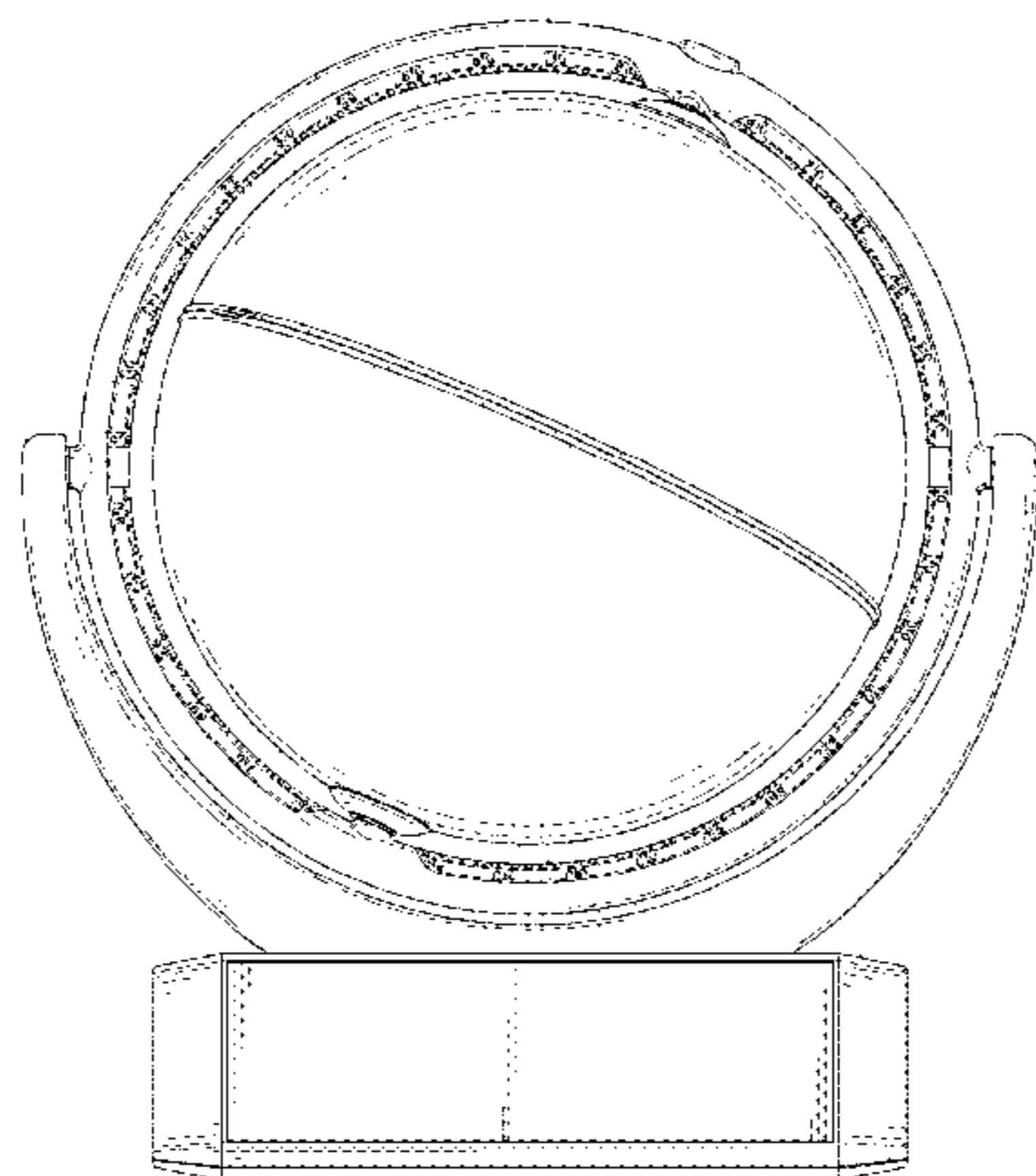
(57) **CLAIM**

The ornamental design for a terrestrial globe, as shown and described.

**DESCRIPTION**

FIG. 1 is a perspective view of the terrestrial globe; FIG. 2 is a front view of the terrestrial globe; FIG. 3 is a back view of the terrestrial globe; FIG. 4 is a left side view of the terrestrial globe; FIG. 5 is a right side view of the terrestrial globe; FIG. 6 is a top view of the terrestrial globe; and, FIG. 7 is a bottom view of the terrestrial globe. The broken lines immediately adjacent the shaded areas represent the bounds of the claimed design while all other broken lines are directed to environment and are for illustrative purposes only; the broken lines form no part of the claimed design.

**1 Claim, 7 Drawing Sheets**



(56)

**References Cited**

U.S. PATENT DOCUMENTS

2003/0215773 A1\* 11/2003 Green ..... G09B 27/08  
434/131

\* cited by examiner

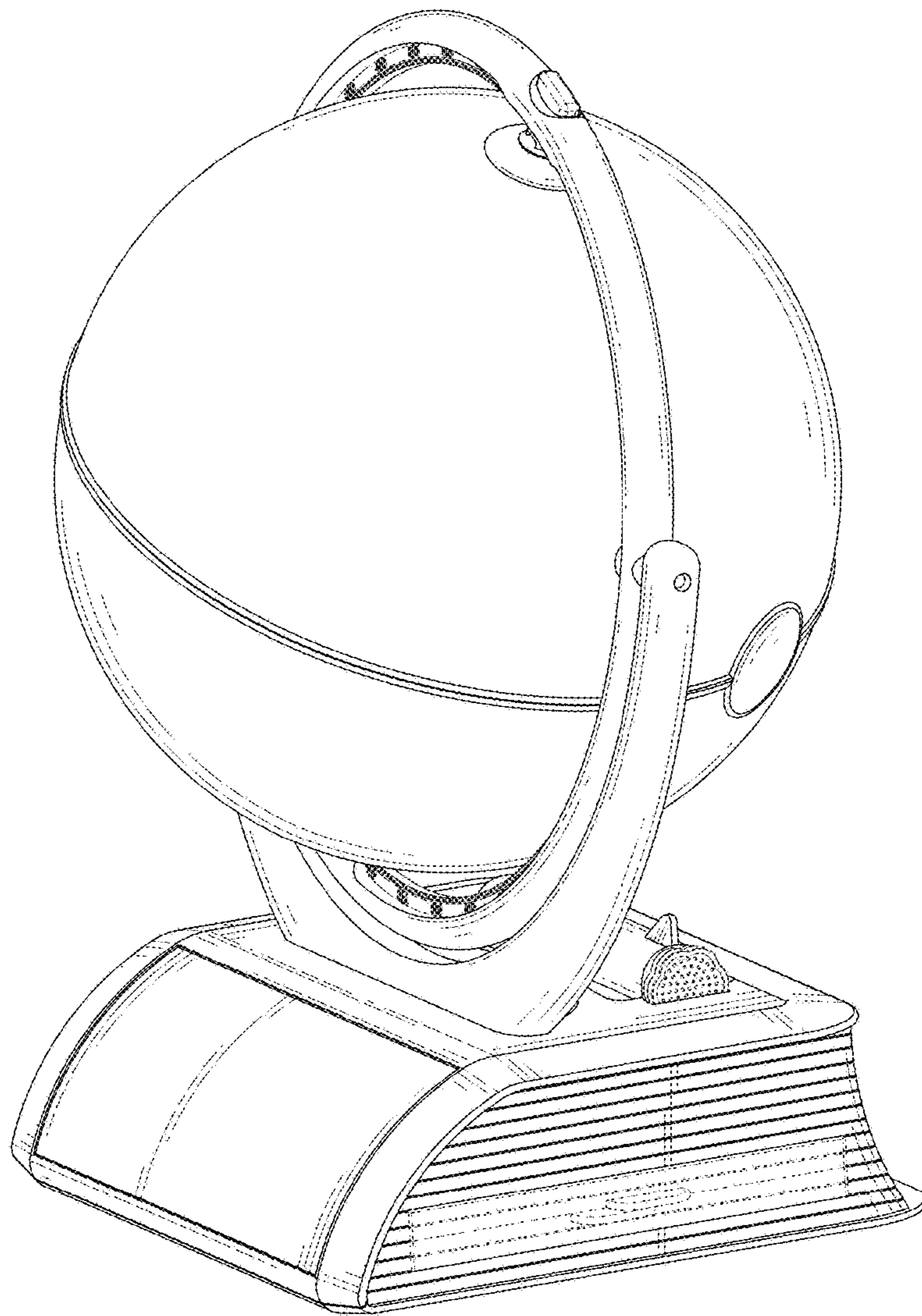


FIG. 1

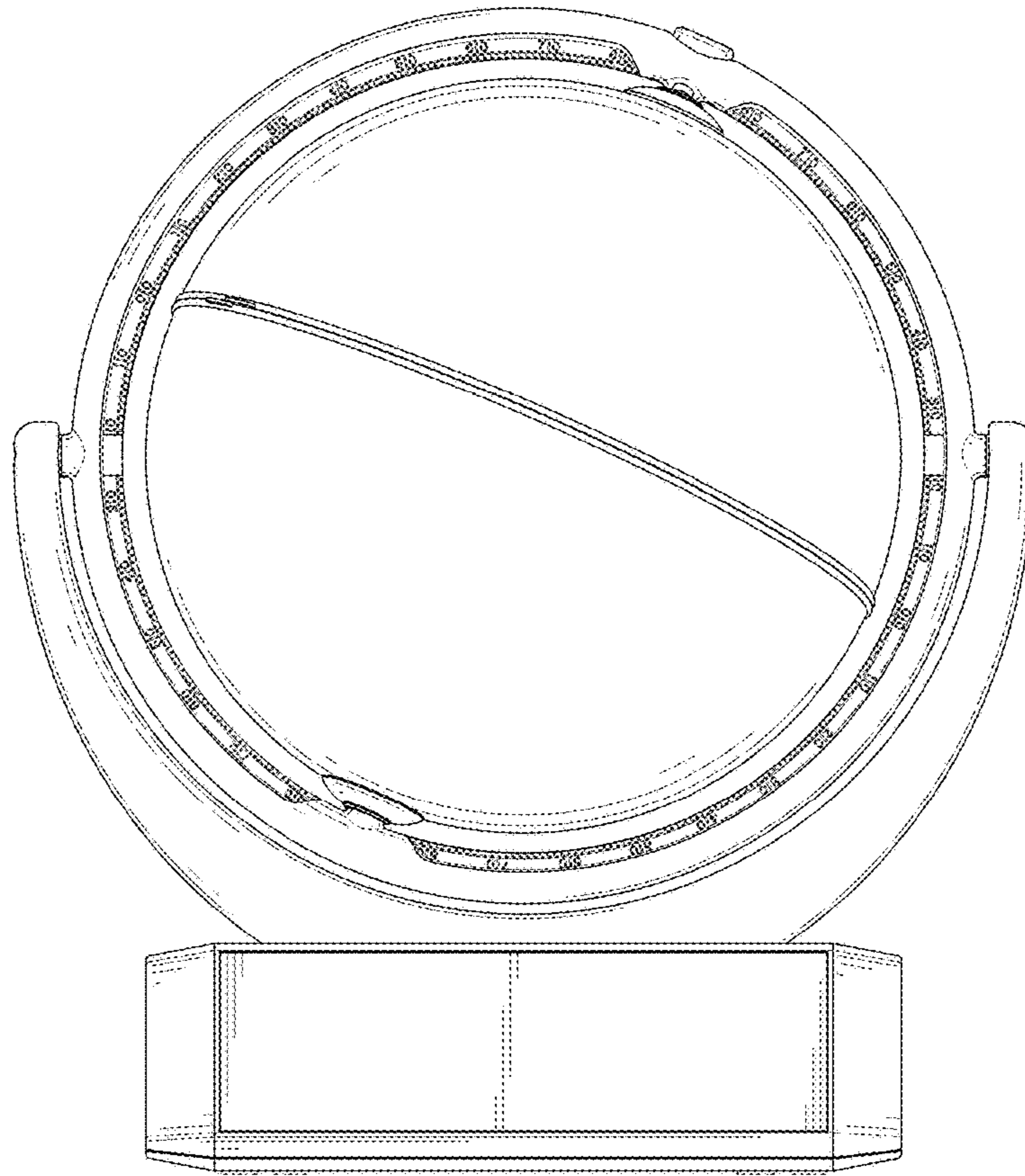


FIG. 2

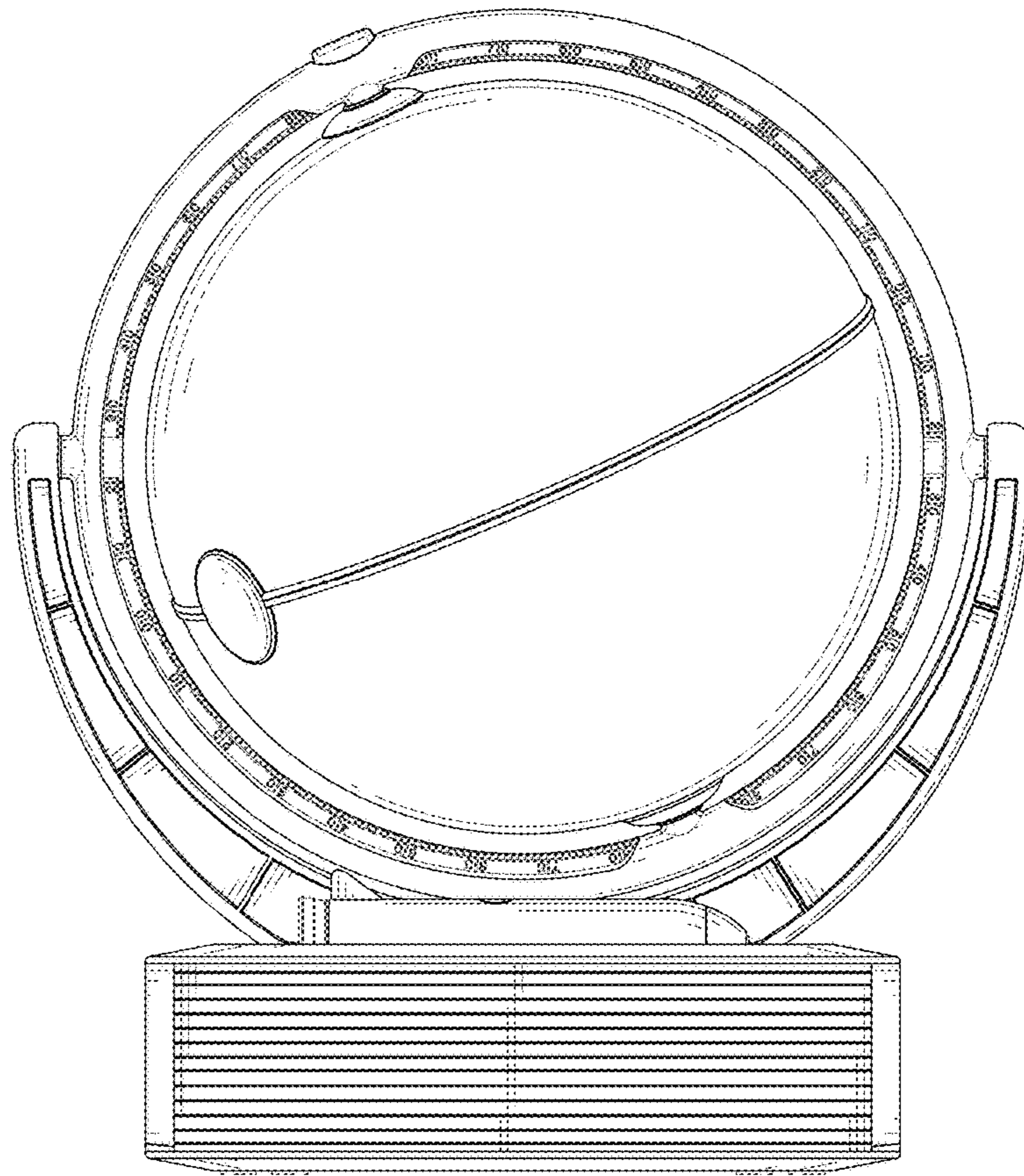


FIG. 3

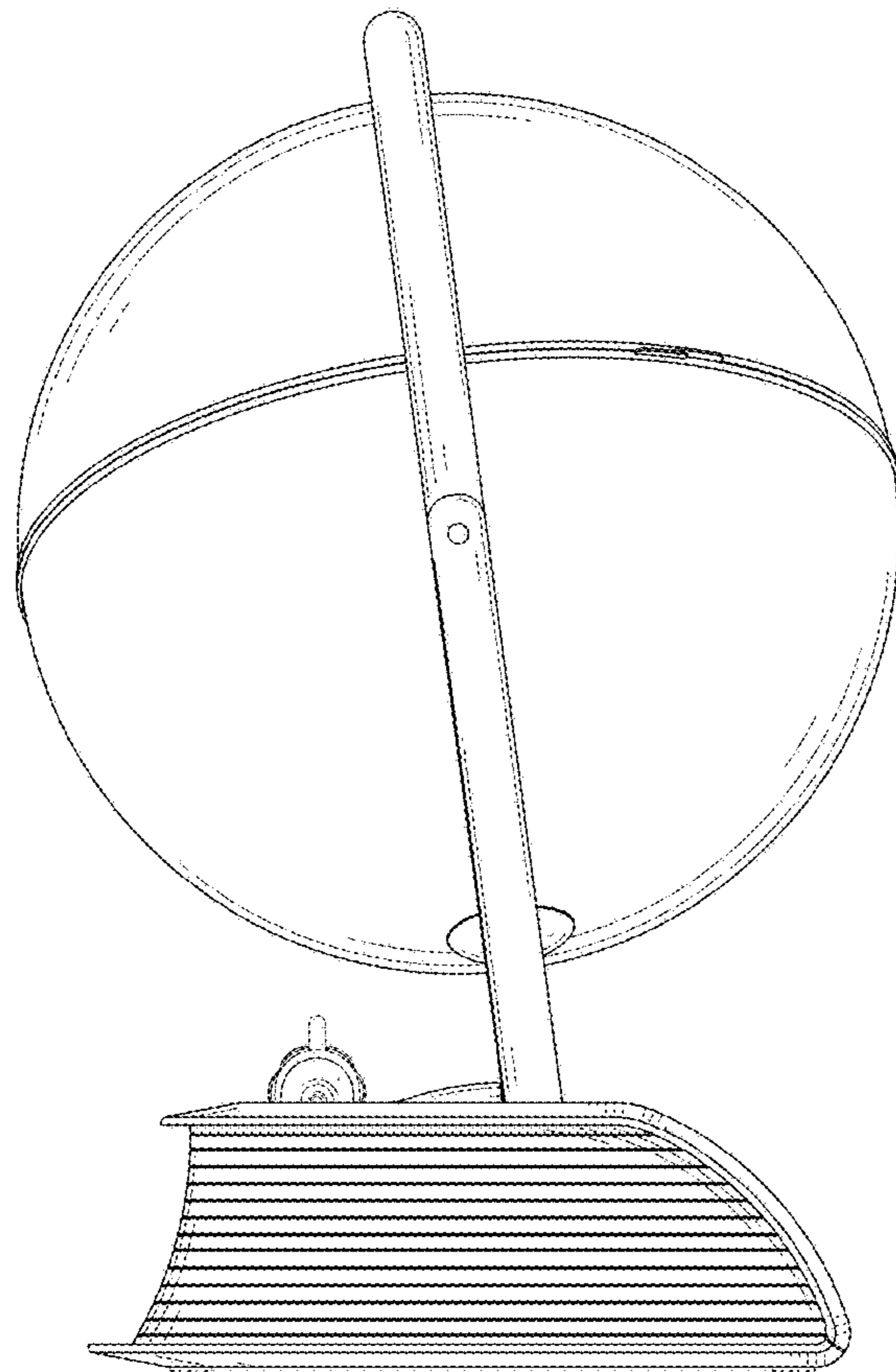


FIG. 4

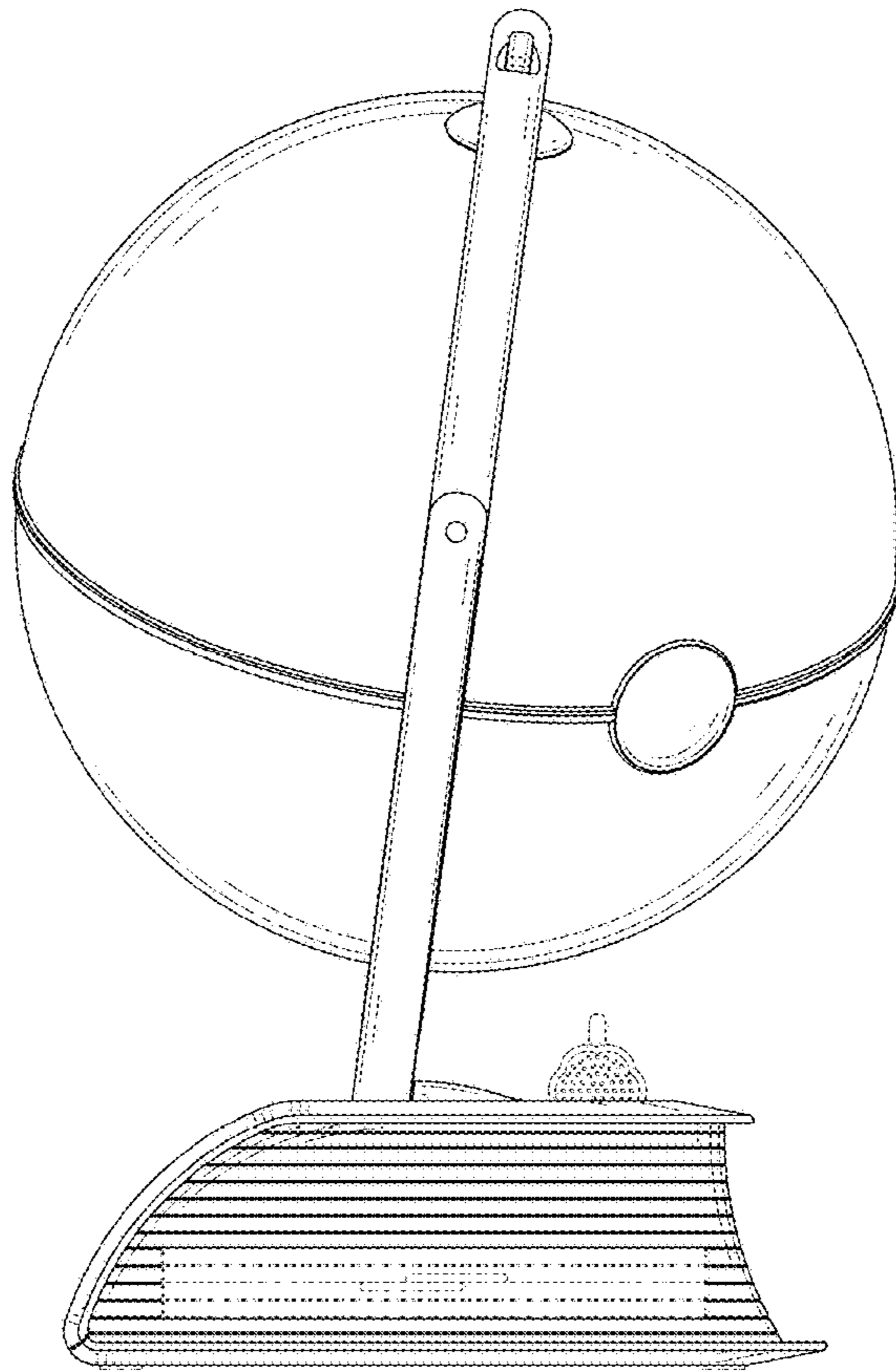


FIG. 5

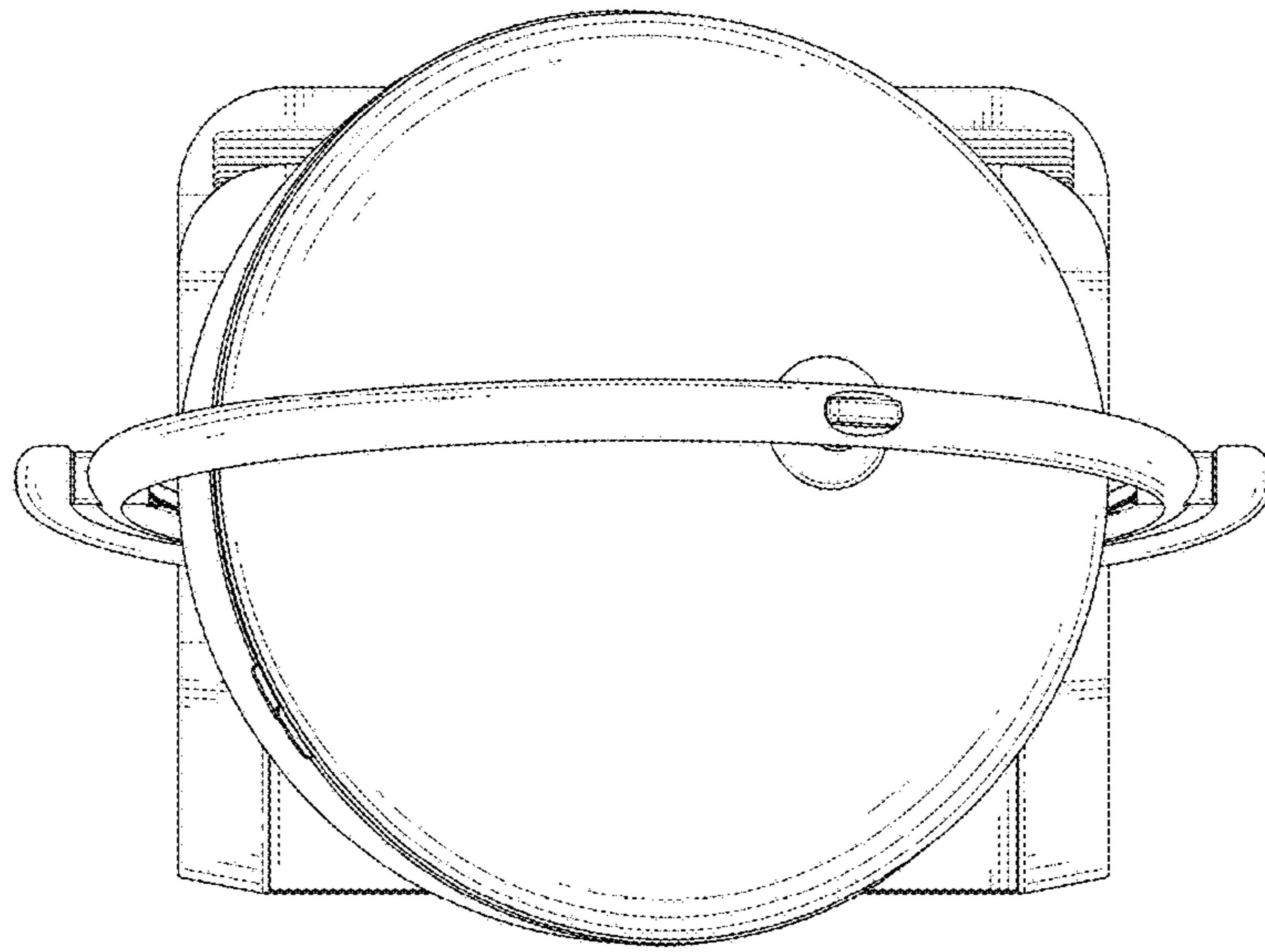


FIG. 6



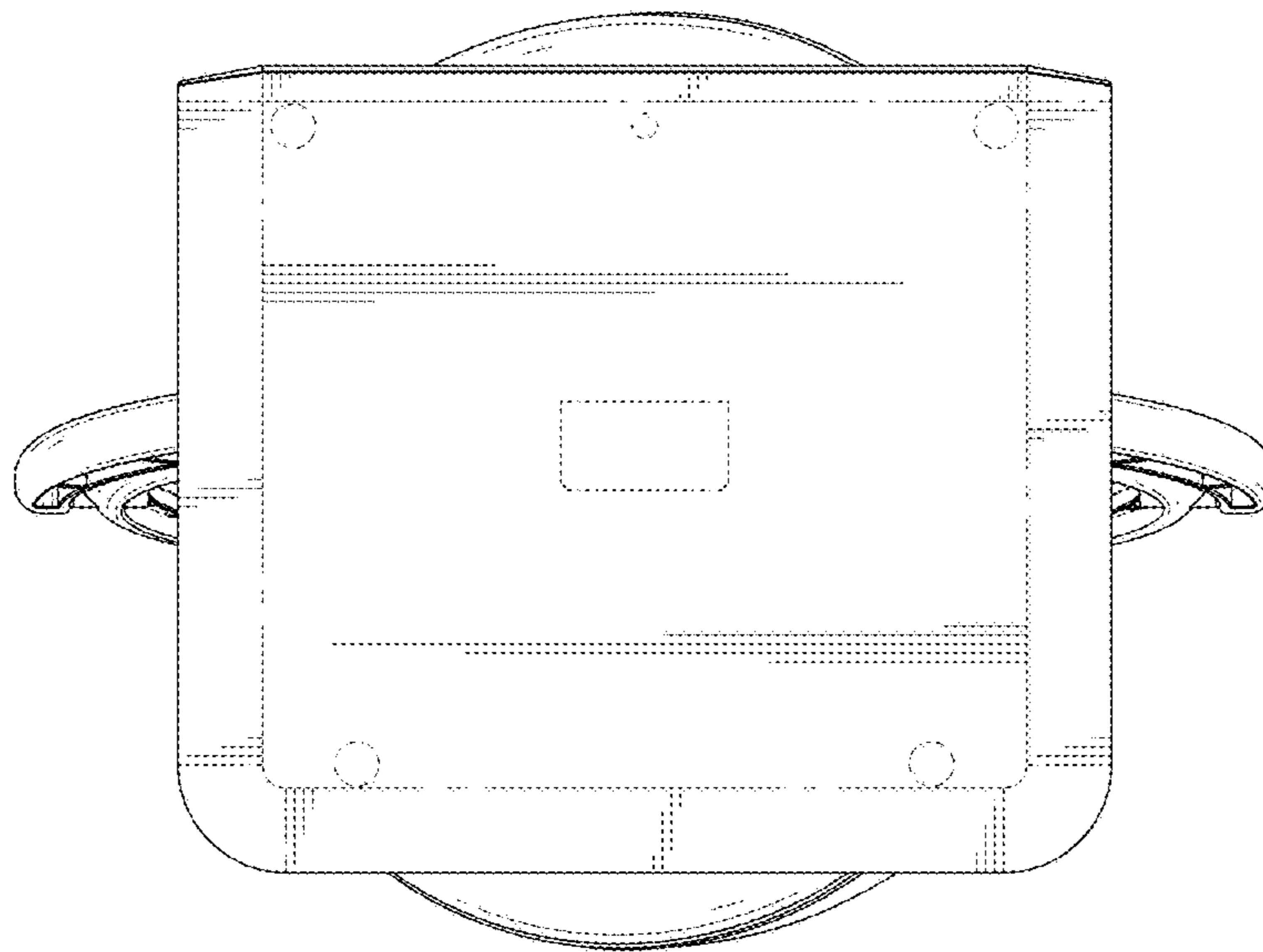


FIG. 7