



US00D847255S

(12) **United States Design Patent** (10) **Patent No.:** **US D847,255 S**  
**Takahashi et al.** (45) **Date of Patent:** **\*\* Apr. 30, 2019**

(54) **INK CARTRIDGE**  
(71) Applicant: **BROTHER INDUSTRIES, LTD.**,  
Nagoya-shi, Aichi-ken (JP)  
(72) Inventors: **Hiroaki Takahashi**, Nagoya (JP);  
**Toshiya Inada**, Nagoya (JP); **Masahide**  
**Asano**, Nagoya (JP)

D481,756 S \* 11/2003 Shinada ..... 347/86  
D529,084 S \* 9/2006 Myers ..... D18/56  
D563,463 S \* 3/2008 Ishizawa ..... 347/86  
D603,895 S \* 11/2009 Hattori ..... D18/56  
D627,818 S \* 11/2010 Ishizawa ..... 347/86  
8,052,260 B2 \* 11/2011 Hattori ..... B41J 2/17513  
347/86

(Continued)

(73) Assignee: **BROTHER INDUSTRIES, LTD.**,  
Nagoya (JP)

**OTHER PUBLICATIONS**

The Design U.S. Appl. No. 29/613,770, filed Aug. 14, 2017 in the name of Akihito Ono.

(\*\*) Term: **15 Years**

(Continued)

(21) Appl. No.: **29/623,697**

*Primary Examiner* — Robin V Webster

(22) Filed: **Oct. 26, 2017**

*Assistant Examiner* — J. Thorn, Sr.

(30) **Foreign Application Priority Data**

(74) *Attorney, Agent, or Firm* — Oliff PLC

Apr. 27, 2017 (JP) ..... 2017-9292

(51) **LOC (11) Cl.** ..... **18-02**

(52) **U.S. Cl.**  
USPC ..... **D18/56**

(58) **Field of Classification Search**  
USPC ..... D18/56, 18, 40, 44, 58, 99  
CPC . B41J 2/17; B41J 2/1721; B41J 2/1572; B41J  
2/1574; B41J 2/17503; B41J 2/17553;  
B41J 2/17556; B41J 2/16547  
See application file for complete search history.

(57) **CLAIM**

The ornamental design for an ink cartridge, as shown and described.

(56) **References Cited**

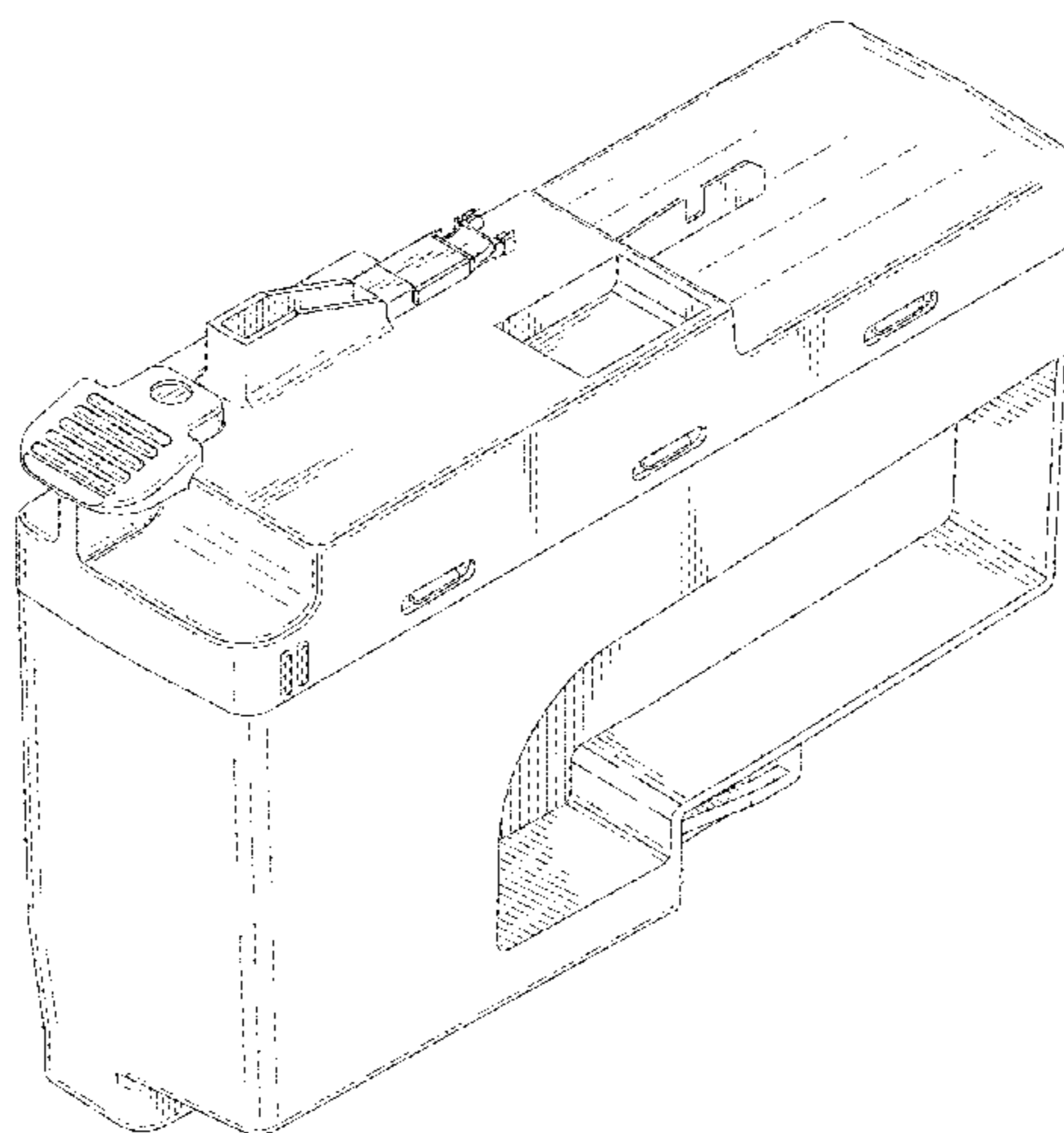
**DESCRIPTION**

**U.S. PATENT DOCUMENTS**

680,165 A 8/1901 Yuki et al.  
681,728 A 9/1901 Yuki et al.  
721,132 A 2/1903 Tetsuro et al.  
783,089 A 2/1905 Wildmann  
783,090 A 2/1905 Acklin  
783,091 A 2/1905 Alvord  
786,347 A 4/1905 Darby  
D450,083 S \* 11/2001 Bishop ..... 347/86  
D466,151 S \* 11/2002 Shinada ..... 347/86

FIG. 1 is a front, left-side perspective view of an ink cartridge;  
FIG. 2 is a front view thereof;  
FIG. 3 is a top view thereof;  
FIG. 4 is a right-side view thereof;  
FIG. 5 is a left-side view thereof;  
FIG. 6 is a rear view thereof;  
FIG. 7 is a bottom view thereof;  
FIG. 8 is a cross-sectional view taken along line 8-8 in FIG. 5;  
FIG. 9 is a cross-sectional view taken along line 9-9 in FIG. 2;  
FIG. 10 is a rear, right-side perspective view thereof; and,  
FIG. 11 is a bottom, left-side perspective view thereof.  
The broken lines depict unclaimed portions of the ink cartridge and form no part of the claimed design.

**1 Claim, 10 Drawing Sheets**



(56)

**References Cited**

U.S. PATENT DOCUMENTS

8,109,615 B2 \* 2/2012 Kanbe ..... B41J 2/17513  
347/7  
8,157,364 B2 \* 4/2012 Sasaki ..... B41J 2/17513  
347/85  
D659,188 S \* 5/2012 Kanbe ..... D18/56  
8,317,307 B2 \* 11/2012 Ishizawa ..... B41J 2/17513  
347/7  
D677,721 S \* 3/2013 Kawate ..... D18/56  
D680,164 S \* 4/2013 Kawate ..... D18/56  
D692,052 S \* 10/2013 Ishizawa ..... D18/56  
D692,947 S \* 11/2013 Nozawa ..... D18/56  
8,657,423 B2 \* 2/2014 Gonzales ..... B41J 2/17513  
347/85  
D707,290 S \* 6/2014 Harvey ..... D18/56  
D712,464 S \* 9/2014 Harvey ..... D18/56  
D712,466 S \* 9/2014 Nagashima ..... D18/56  
D729,312 S \* 5/2015 Harvey ..... D18/56  
9,597,882 B2 \* 3/2017 Gonzales ..... B41J 2/17513

D794,708 S \* 8/2017 Iinuma ..... D18/56  
D798,382 S \* 9/2017 Smith ..... D18/56  
9,802,418 B2 \* 10/2017 Nagashima ..... B41J 2/17536  
D815,200 S \* 4/2018 Ishizawa ..... D18/56  
2018/0288869 A1 \* 10/2018 Ota ..... B41J 2/17523

OTHER PUBLICATIONS

The Design U.S. Appl. No. 29/613,786, filed Aug. 14, 2017 in the name of Hiroaki Takahashi.  
The Design U.S. Appl. No. 29/614,077, filed Aug. 16, 2017 in the name of Hiroaki Takahashi et al.  
The Design U.S. Appl. No. 29/614,125, filed Aug. 16, 2017 in the name of Hiroaki Takahashi et al.  
The Design U.S. Appl. No. 29/614,544, filed Aug. 21, 2017 in the name of Hiroaki Takahashi.  
The Design U.S. Appl. No. 29/614,558, filed Aug. 21, 2017 in the name of Hiroaki Takahashi.

\* cited by examiner

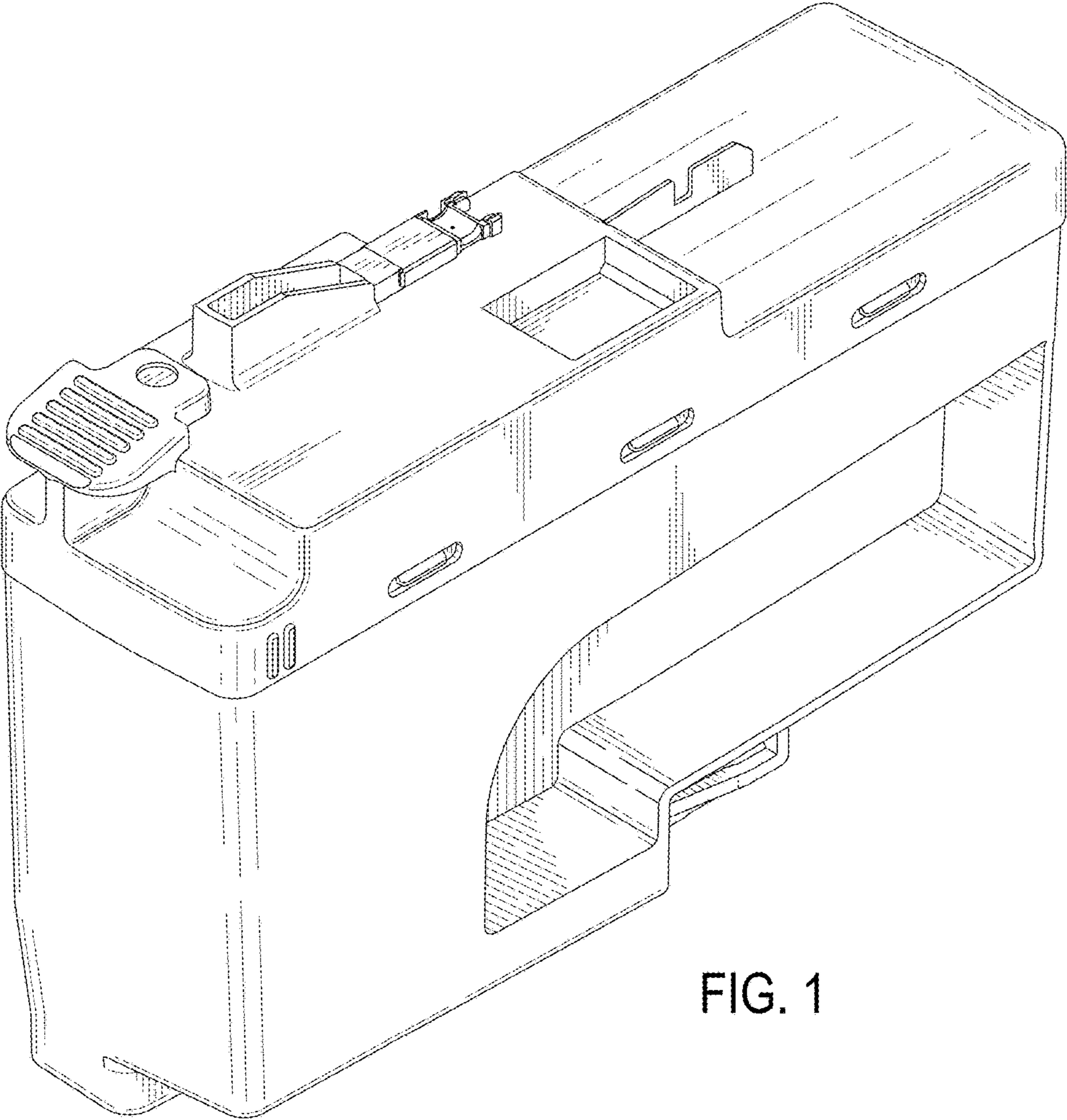


FIG. 1

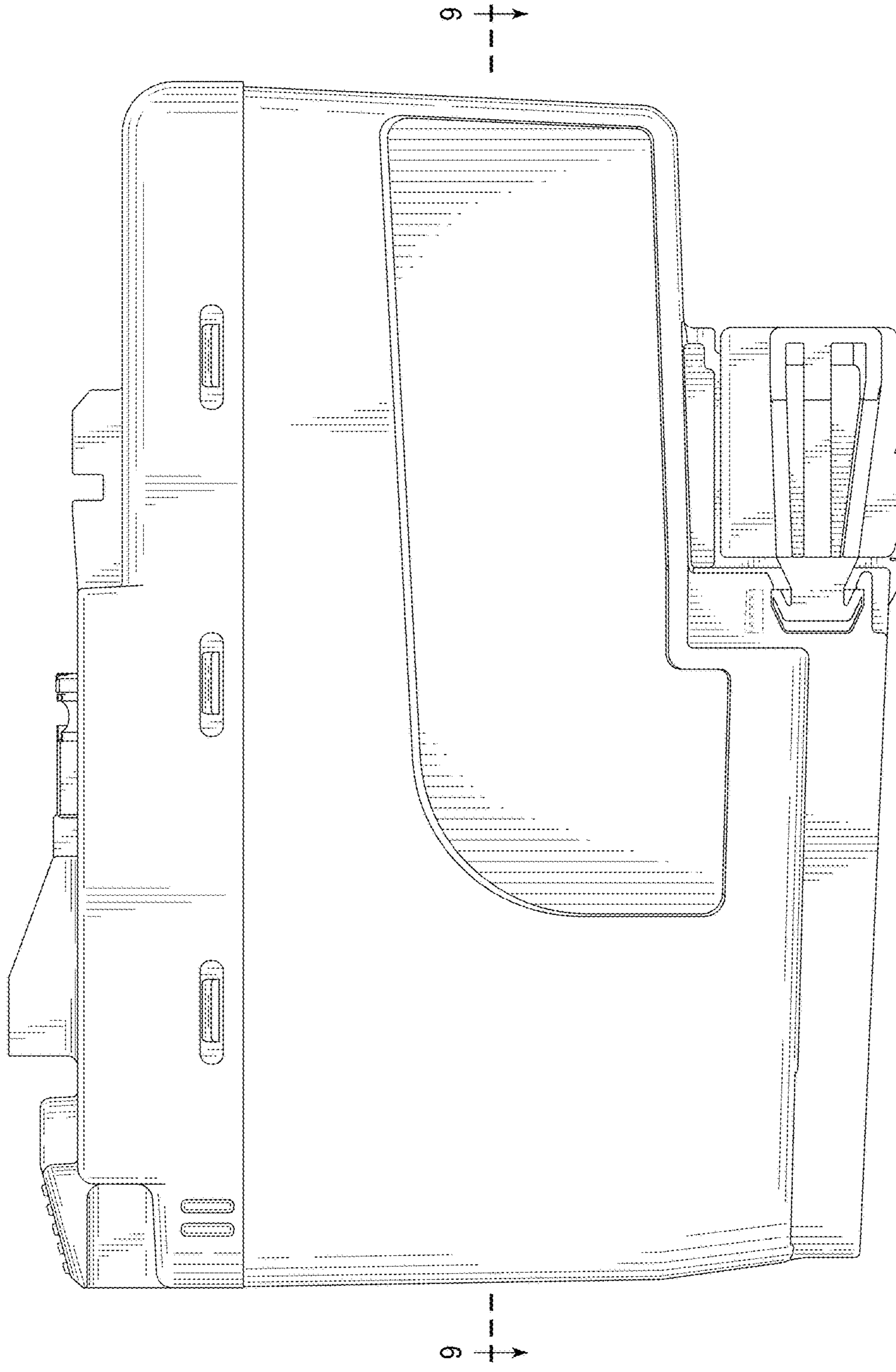


FIG. 2

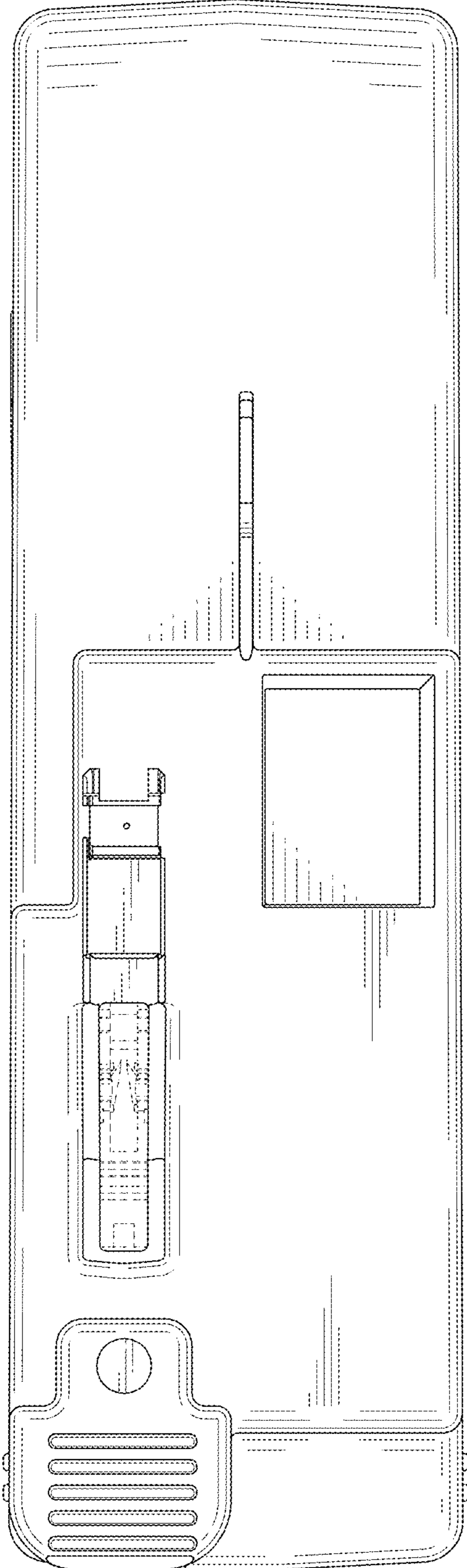


FIG. 3

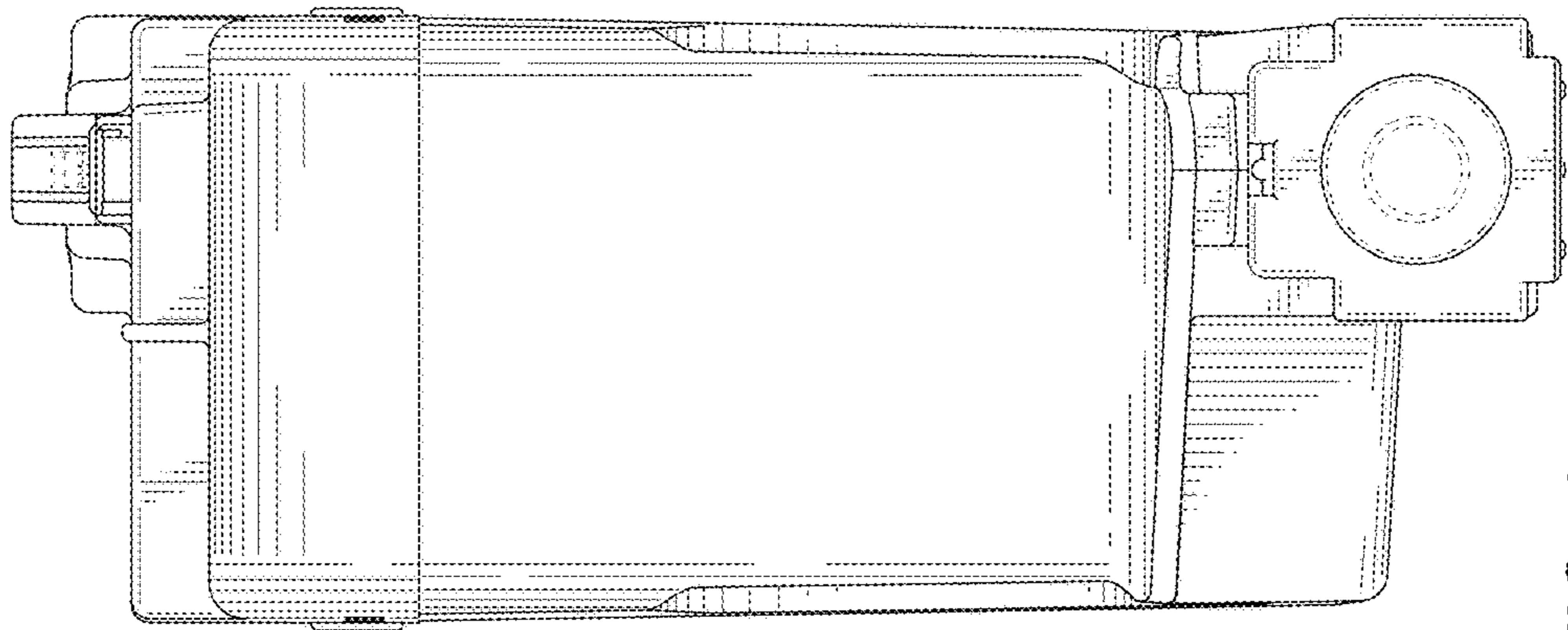
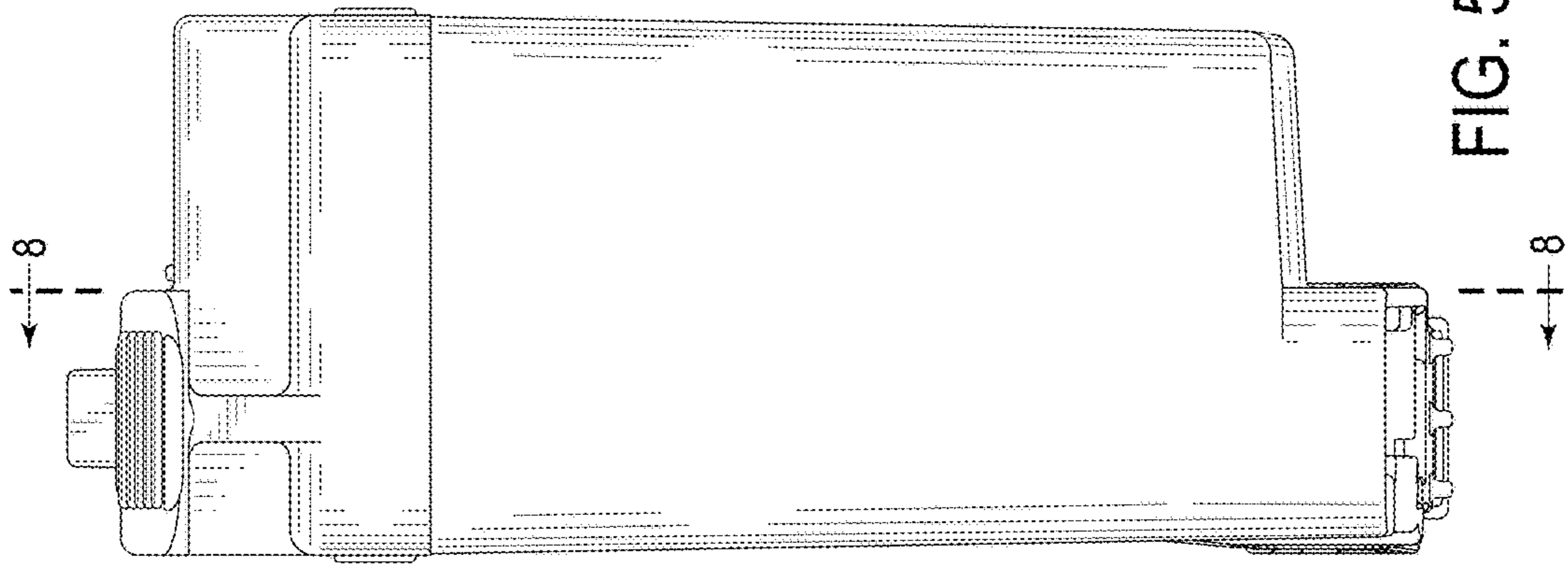


FIG. 4

FIG. 5

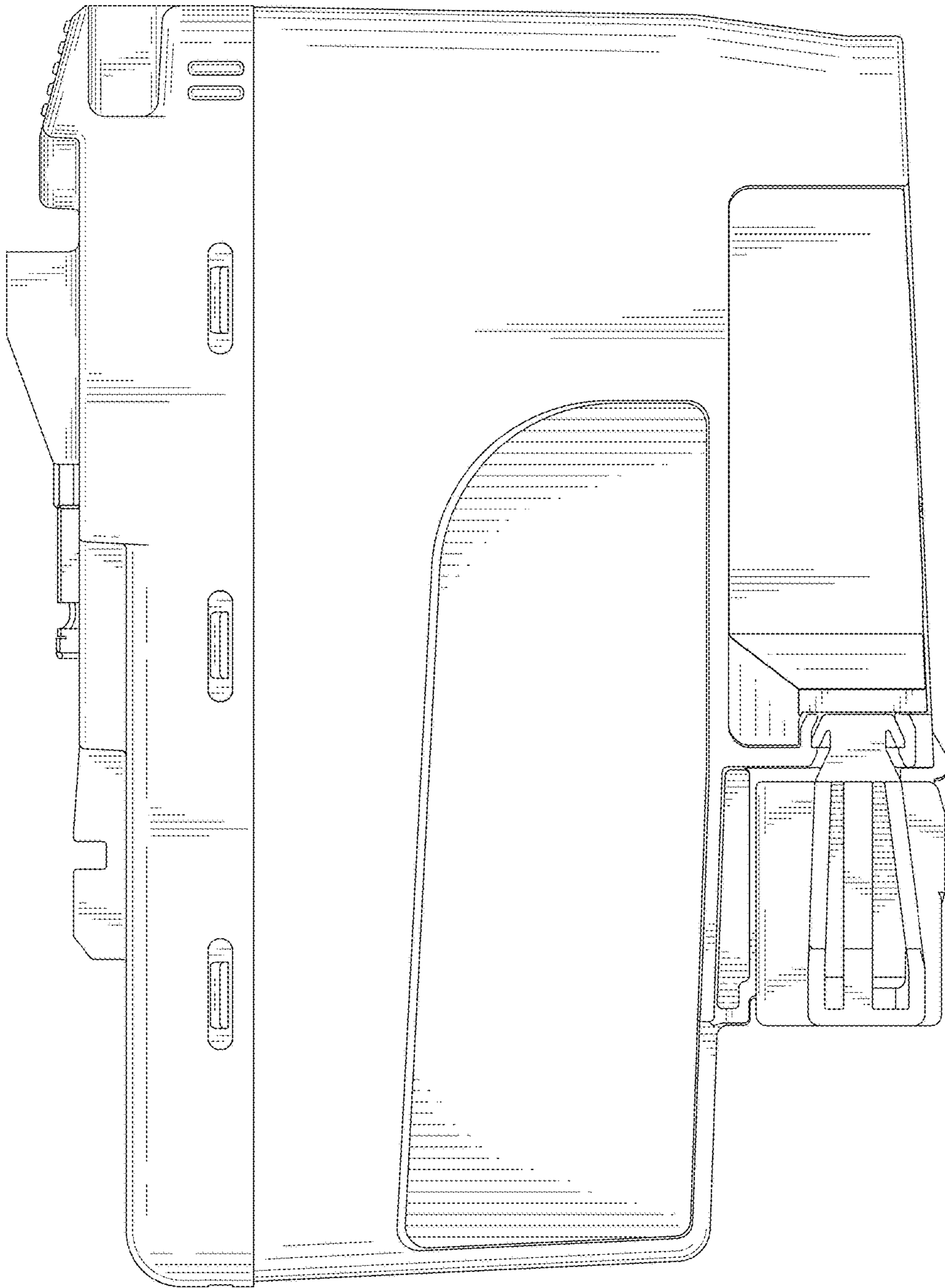


FIG. 6

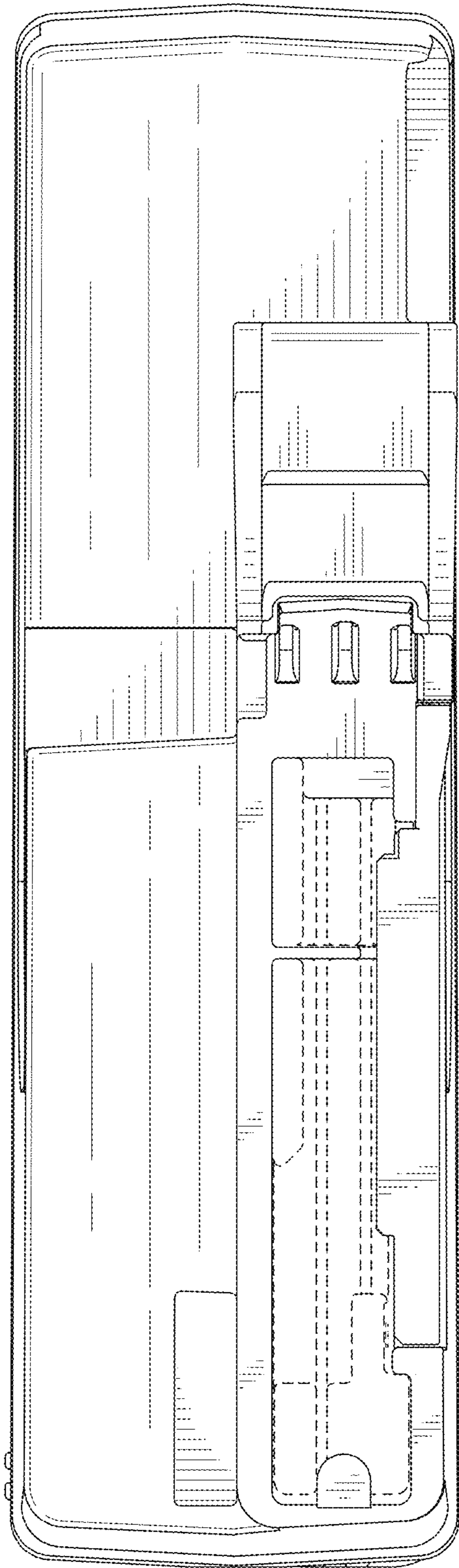


FIG. 7



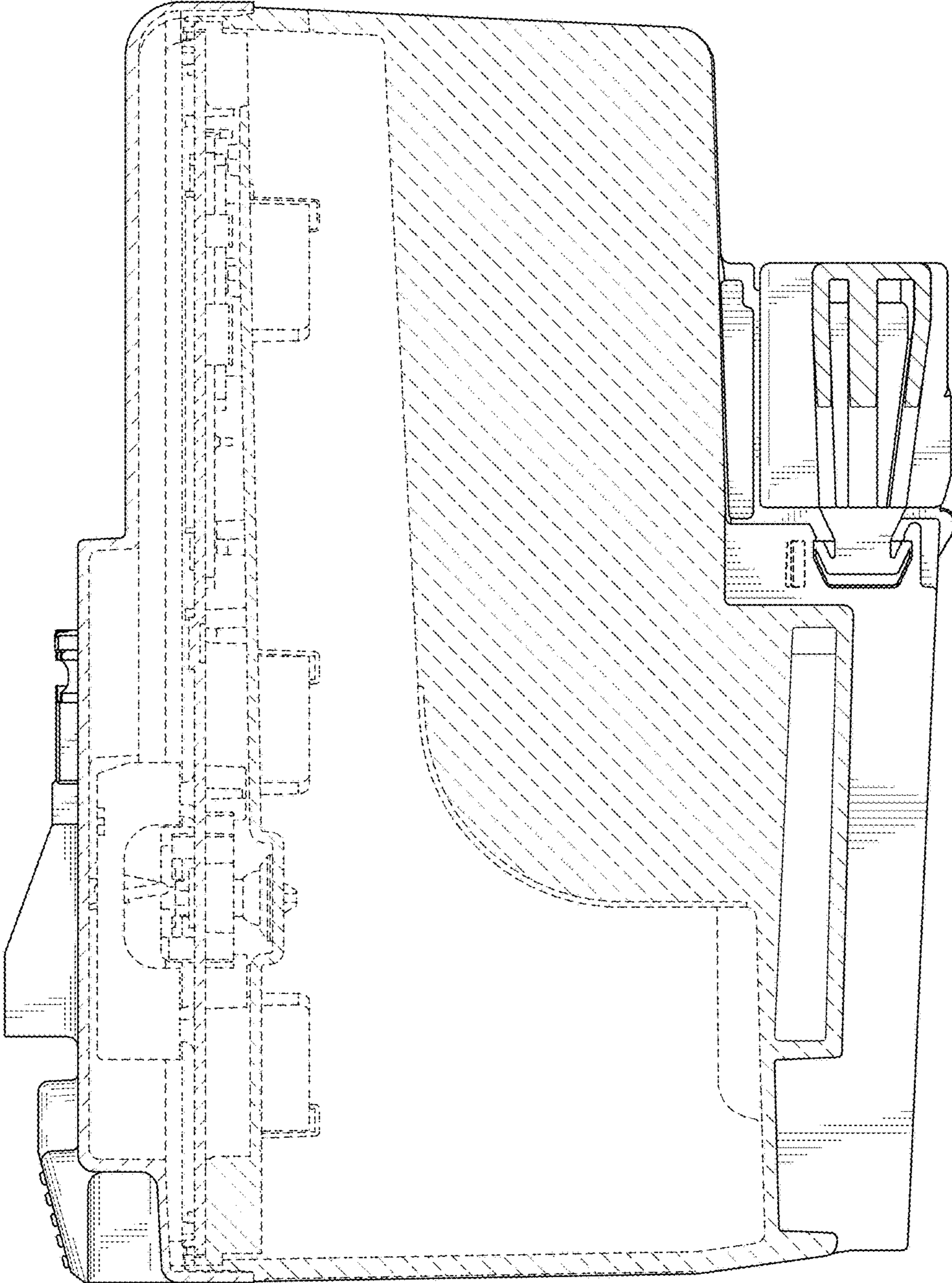


FIG. 8

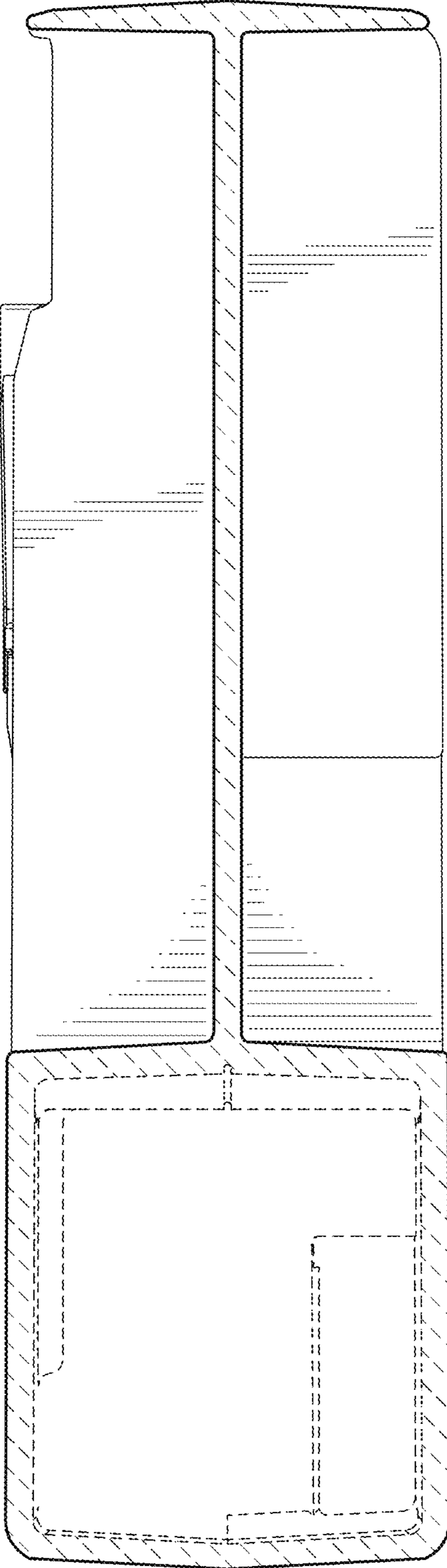


FIG. 9

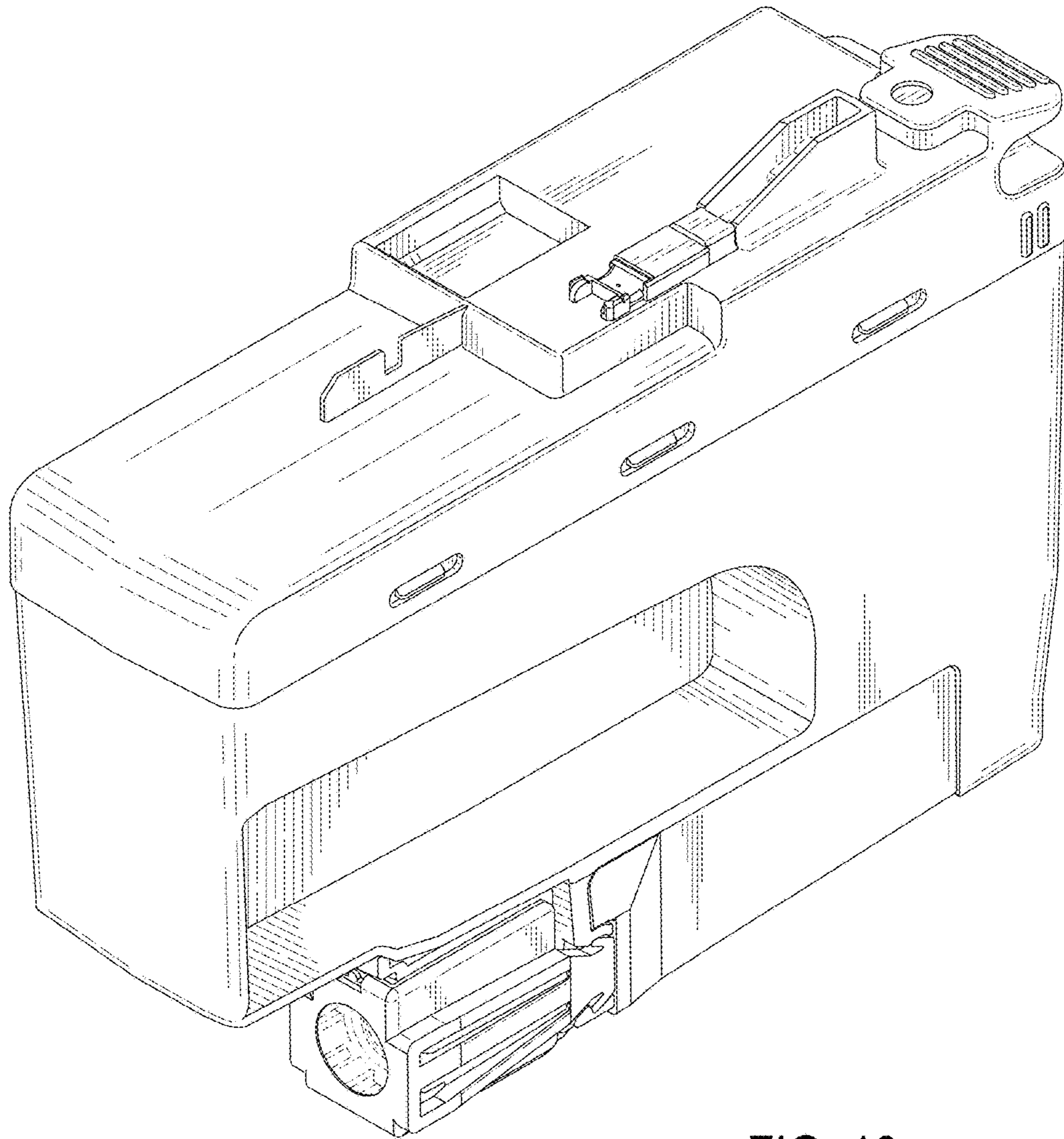


FIG. 10

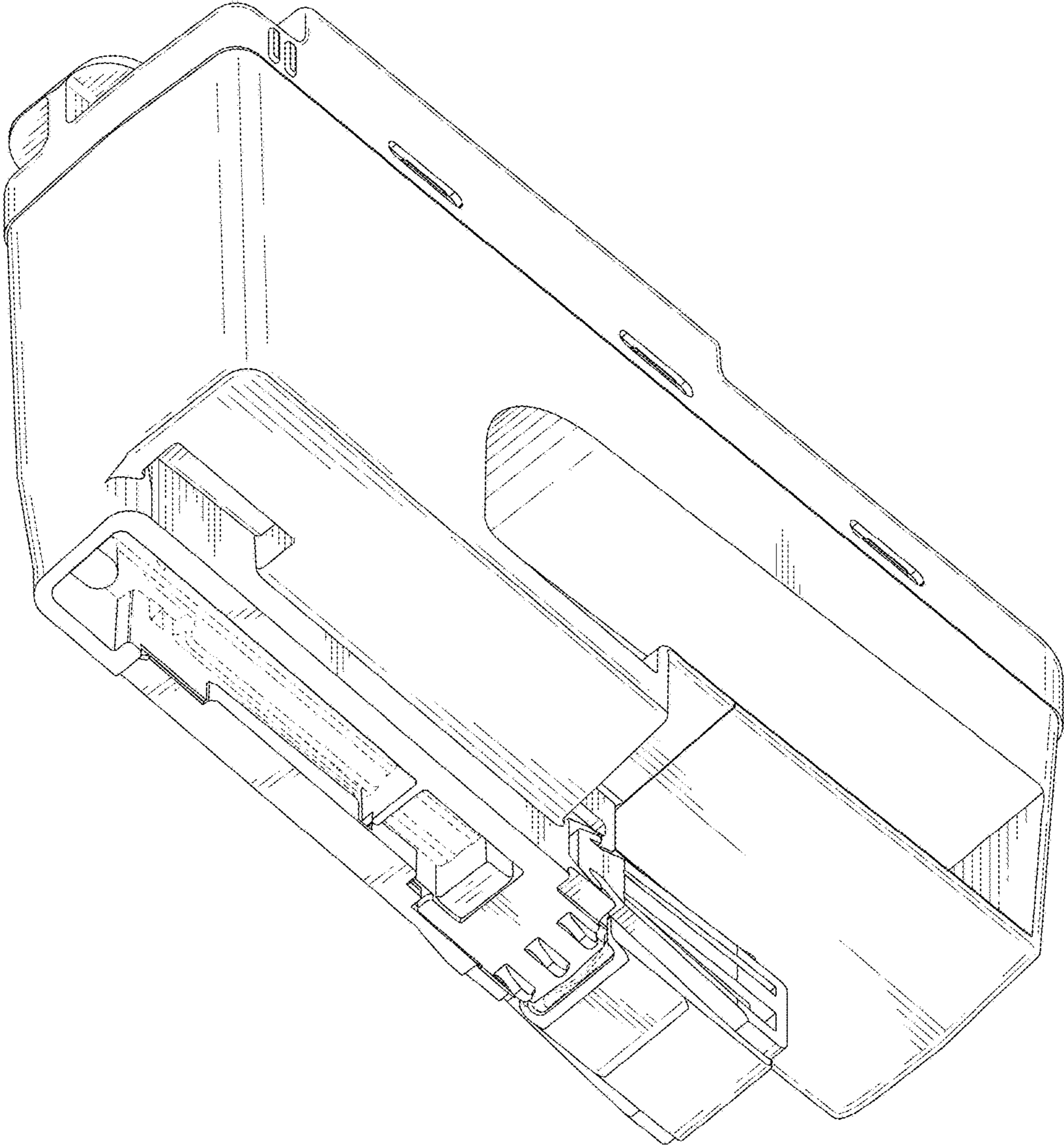


FIG. 11