



US00D847254S

(12) **United States Design Patent** (10) **Patent No.:** **US D847,254 S**
Tsuritani et al. (45) **Date of Patent:** **** Apr. 30, 2019**

(54) **TONER CONTAINER**

(71) Applicants: **Shoh Tsuritani**, Ohta-ku (JP); **Masato Tsuji**, Ohta-ku (JP); **Akinori Harada**, Ohta-ku (JP)

(72) Inventors: **Shoh Tsuritani**, Ohta-ku (JP); **Masato Tsuji**, Ohta-ku (JP); **Akinori Harada**, Ohta-ku (JP)

(73) Assignee: **Ricoh Company, Ltd.**, Tokyo (JP)

(**) Term: **15 Years**

(21) Appl. No.: **29/594,391**

(22) Filed: **Feb. 17, 2017**

(30) **Foreign Application Priority Data**

Nov. 18, 2016 (JP) 2016-025238

(51) **LOC (11) Cl.** **16-03**

(52) **U.S. Cl.**
USPC **D18/43**

(58) **Field of Classification Search**
USPC D18/40-45, 56
CPC G03G 15/0894; G03G 15/0896; G03G 15/0898; G03G 21/1661; G03G 21/1666; G03G 21/1671; G03G 21/1676; G03G 21/168; G03G 21/1685; G03G 21/169; G03G 21/1695; G03G 21/18; G03G (Continued)

(56) **References Cited**

U.S. PATENT DOCUMENTS

D313,615 S * 1/1991 Tokuda D18/36
D313,616 S * 1/1991 Tokuda D18/36
(Continued)

FOREIGN PATENT DOCUMENTS

JP D1363875 * 6/2009

OTHER PUBLICATIONS

Amazon. <URL: [14&keywords=Universal+ink+replacement+cartridge.> Jun. 2, 2015. Speedy Inks Remanufactured Canon Toner Cartridge Replacement.*](https://www.amazon.com/Speedy-Inks-Remanufactured-7833A001AA-Replacement/dp/B00YQL0PUO/ref=sr_1_14?s=office-products&ie=UTF8&qid=1520983991&sr=1-14&keywords=Universal+ink+replacement+cartridge.> Jun. 2, 2015. Speedy Inks Remanufactured Canon Toner Cartridge Replacement.*</p></div>
<div data-bbox=)

Primary Examiner — Thomas Johannes
Assistant Examiner — Lauren D McVey
(74) *Attorney, Agent, or Firm* — Oblon, McClelland, Maier & Neustadt, L.L.P.

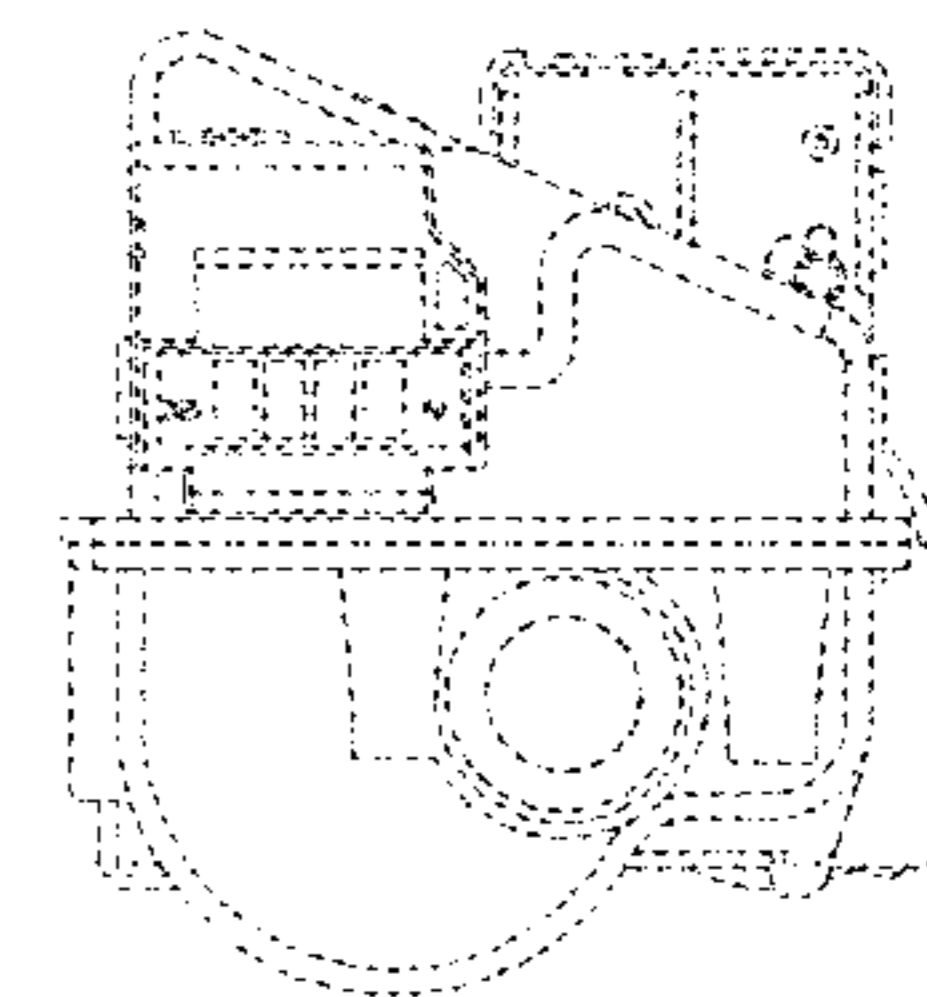
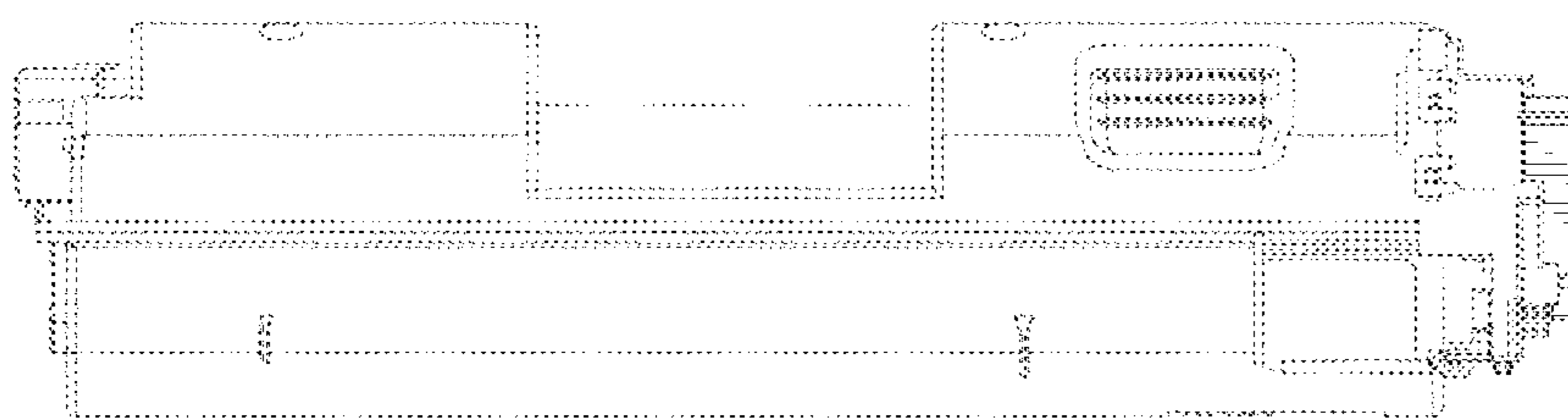
(57) **CLAIM**

The ornamental design for a toner container, as shown and described.

DESCRIPTION

FIG. 1 is a front, top, left side perspective view of a toner container showing our design;
FIG. 2 is a front, top, right side perspective view thereof;
FIG. 3 is a rear, bottom, left side perspective view thereof;
FIG. 4 is a front elevational view thereof;
FIG. 5 is a rear elevational view thereof;
FIG. 6 is a top plan view thereof;
FIG. 7 is a bottom plan view thereof;
FIG. 8 is a partially enlarged perspective view thereof of the portion delineated in FIG. 1;
FIG. 9 is a partially enlarged perspective view thereof of the portion delineated in FIG. 3;
FIG. 10 is a left side elevation view thereof;
FIG. 11 is a right side elevation view thereof; and,
FIG. 12 is a partially enlarged left side elevation view thereof of the portion delineated in FIG. 10.
The broken lines immediately adjacent to the shaded surfaces represent the bounds of the claimed design, while all other broken lines are directed to environment and form no part of the claimed design. The dot-dot-dash broken lines in FIGS. 1, 3, 8, 9, 10, and 12 delineate portions of the claimed design that are illustrated in enlargements, and form no part of the claimed design.

1 Claim, 12 Drawing Sheets



(58) **Field of Classification Search**

CPC 21/1803; G03G 21/1807; G03G 15/0868;
G03G 15/087; G03G 15/0872; G03G
15/0874; G03G 15/0875; G03G 15/0877
See application file for complete search history.

(56) **References Cited**

U.S. PATENT DOCUMENTS

D378,830	S *	4/1997	Kim	D18/43
D431,260	S *	9/2000	Kohno	D18/43
D580,968	S *	11/2008	Tatsumi	D18/43
D590,012	S *	4/2009	Tatsumi	D18/43
D597,129	S *	7/2009	Tatsumi	D18/43
8,160,476	B2 *	4/2012	Shimizu	G03G 15/16 399/111
8,275,285	B2 *	9/2012	Kawakami	G03G 21/1842 399/111
2008/0279586	A1 *	11/2008	Tatsumi	G03G 15/0813 399/119
2008/0292356	A1 *	11/2008	Furuichi	G03G 21/1853 399/112
2011/0052255	A1 *	3/2011	Yoshida	G03G 21/1821 399/111
2012/0269540	A1 *	10/2012	Kawai	G03G 21/181 399/109

* cited by examiner

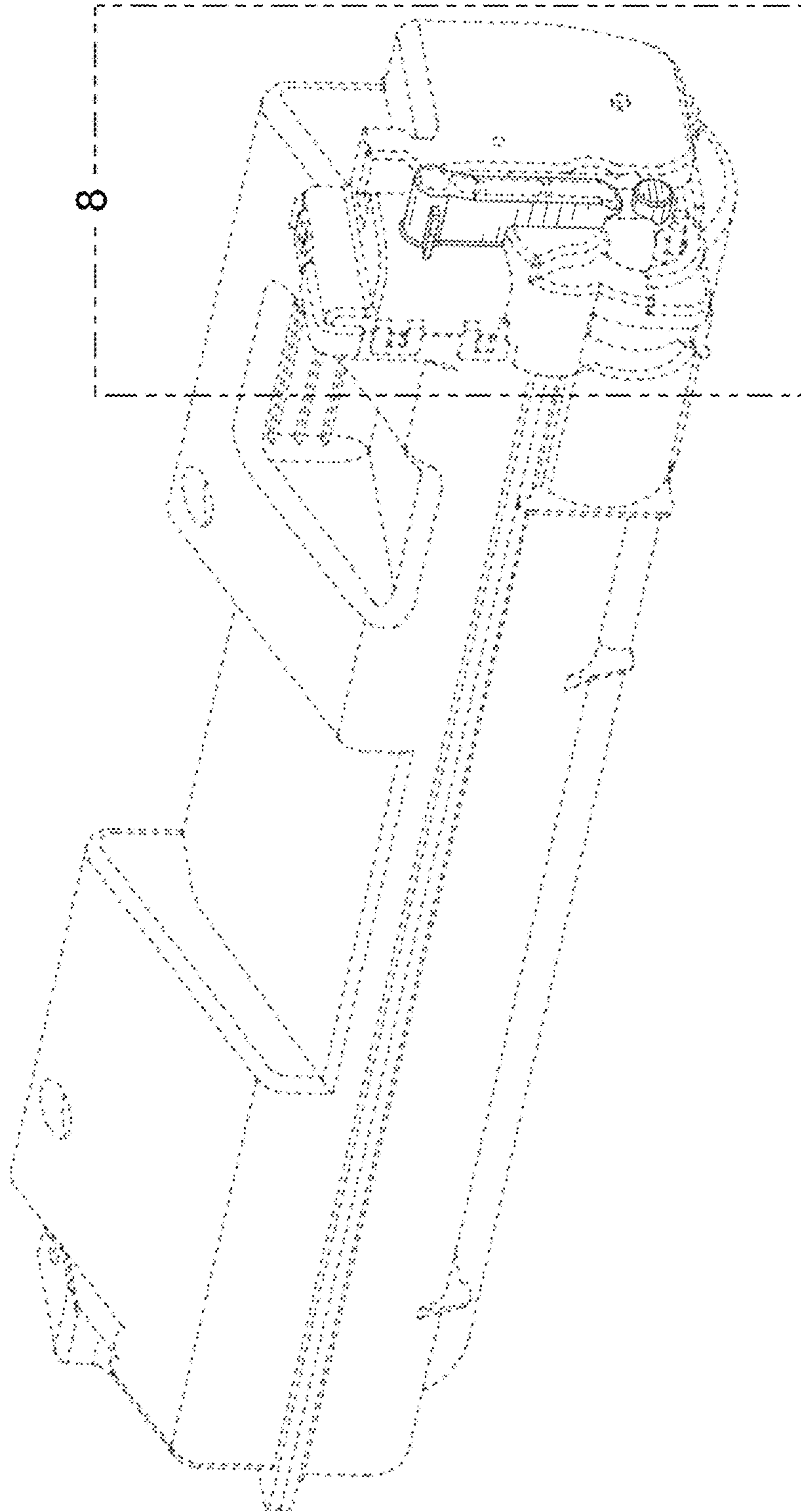


FIG. 1

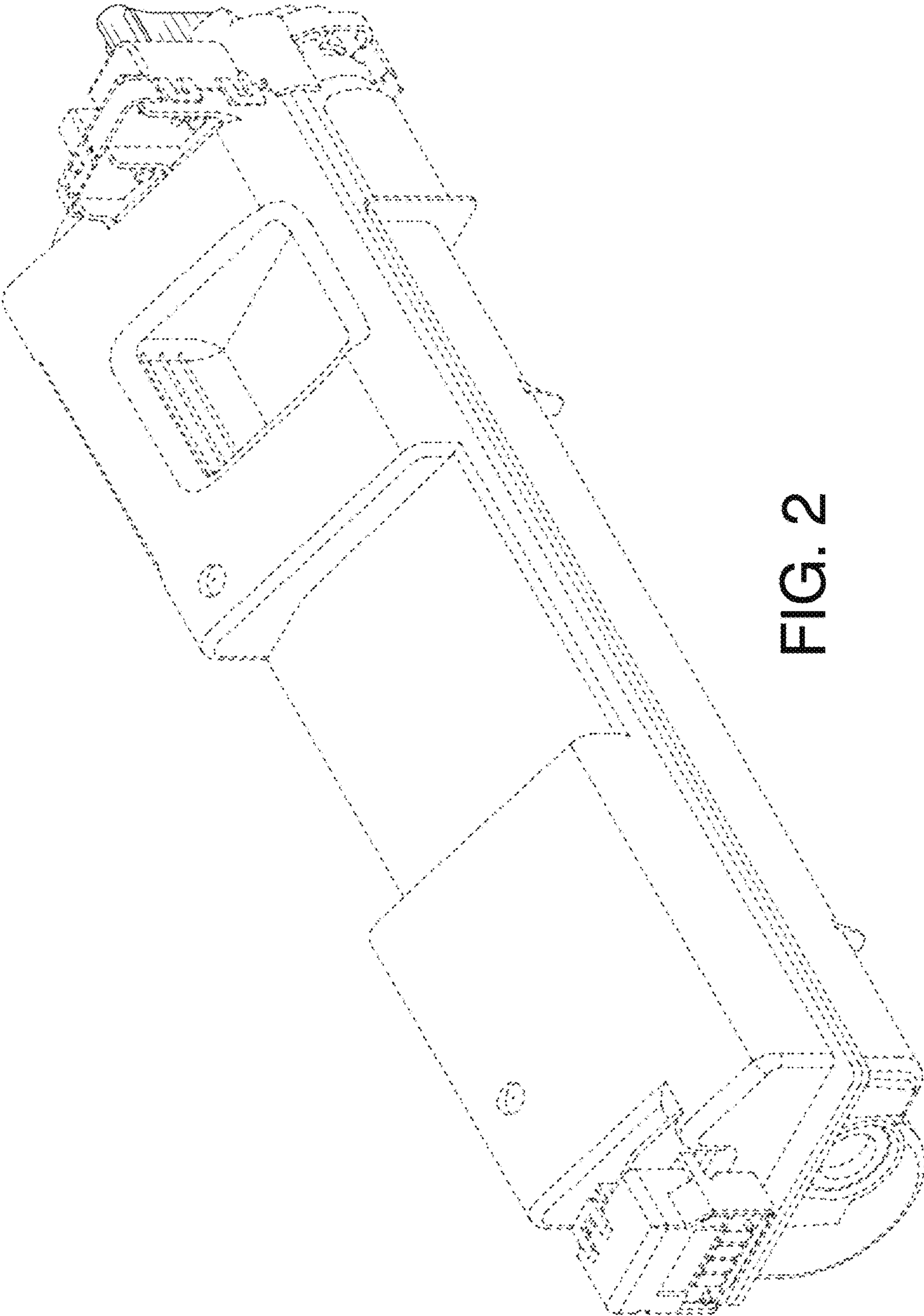


FIG. 2

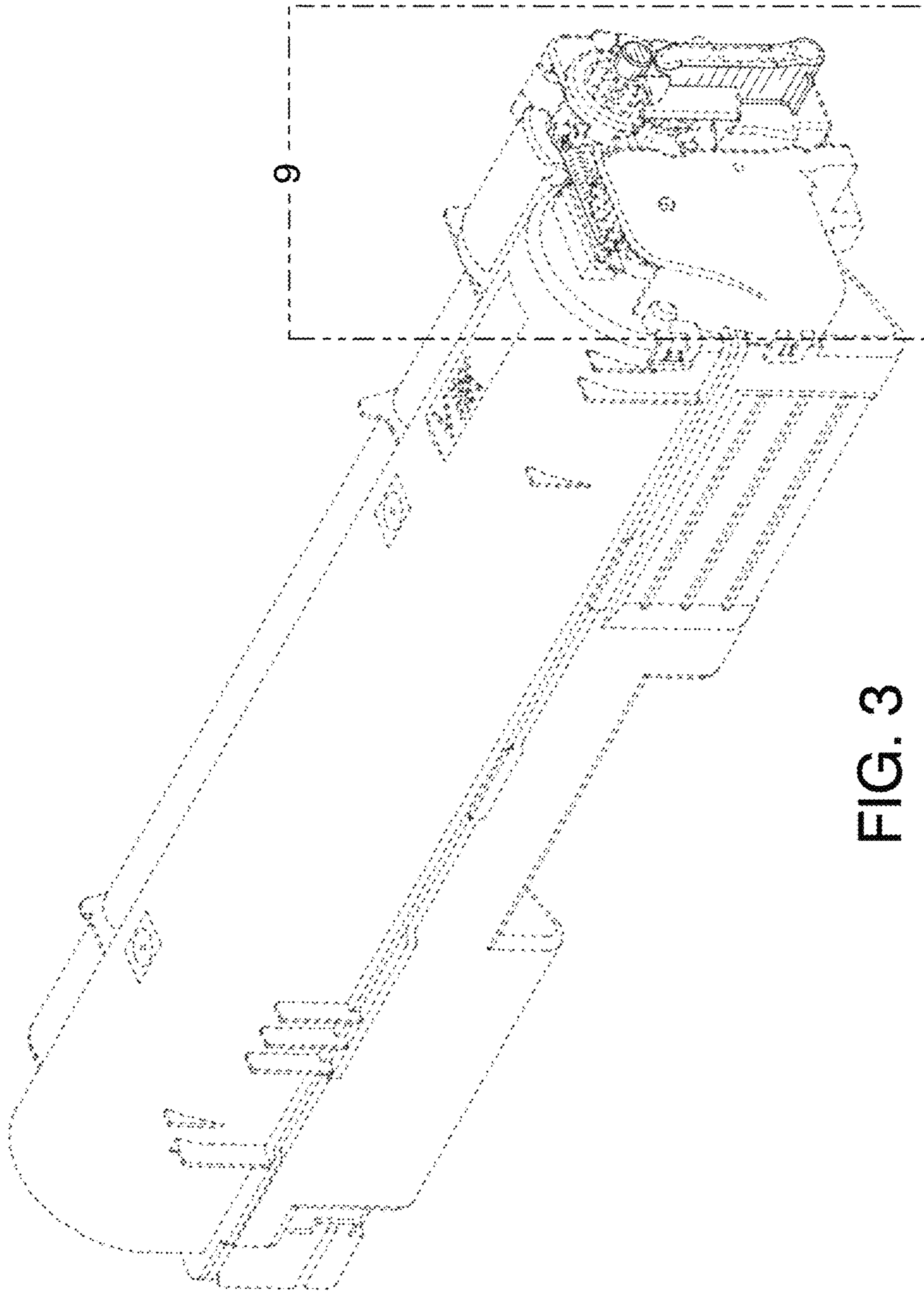


FIG. 3

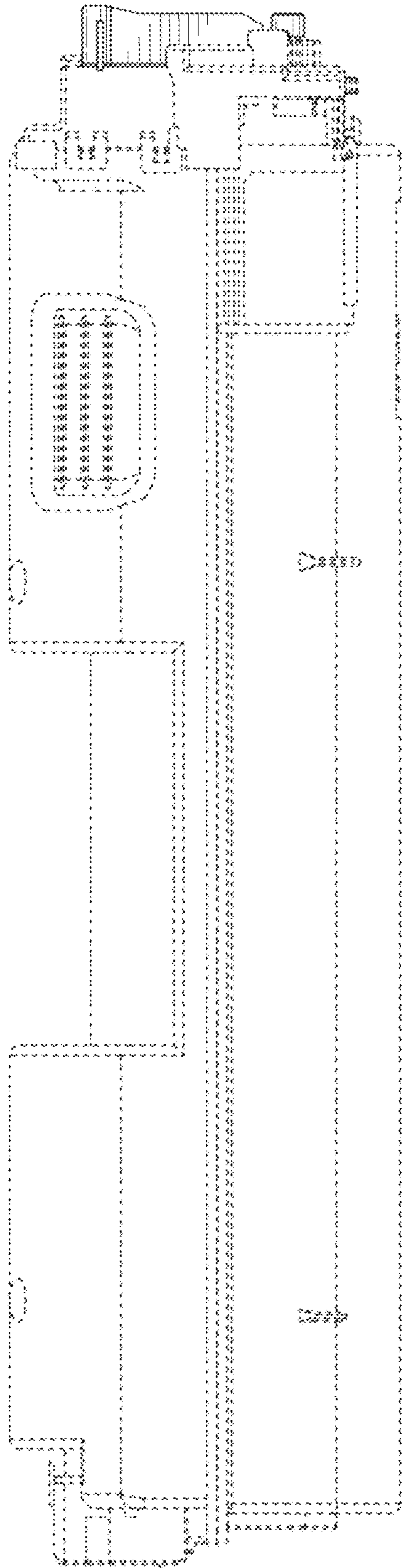


FIG. 4

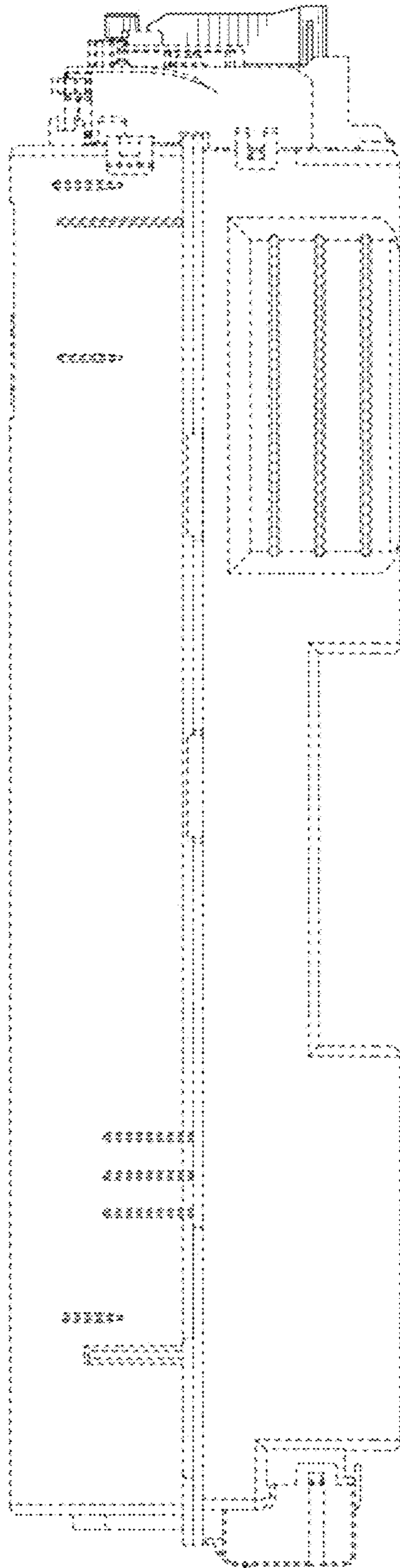


FIG. 5

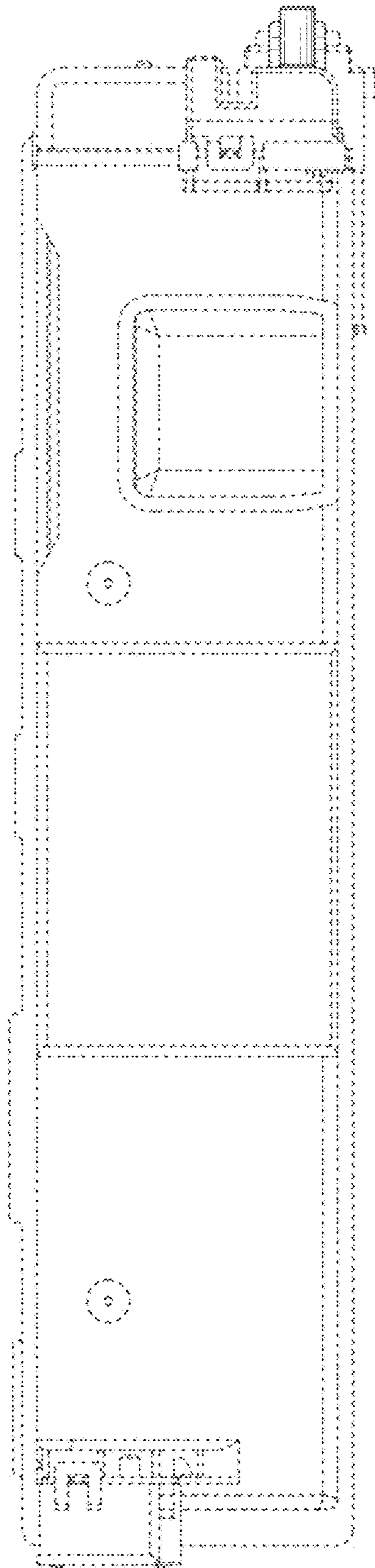


FIG. 6

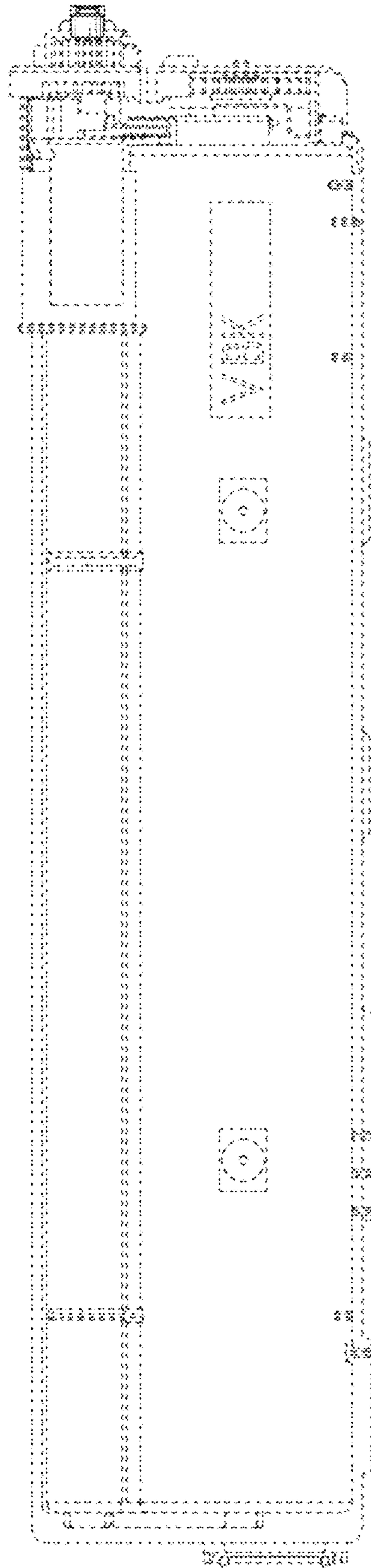


FIG. 7

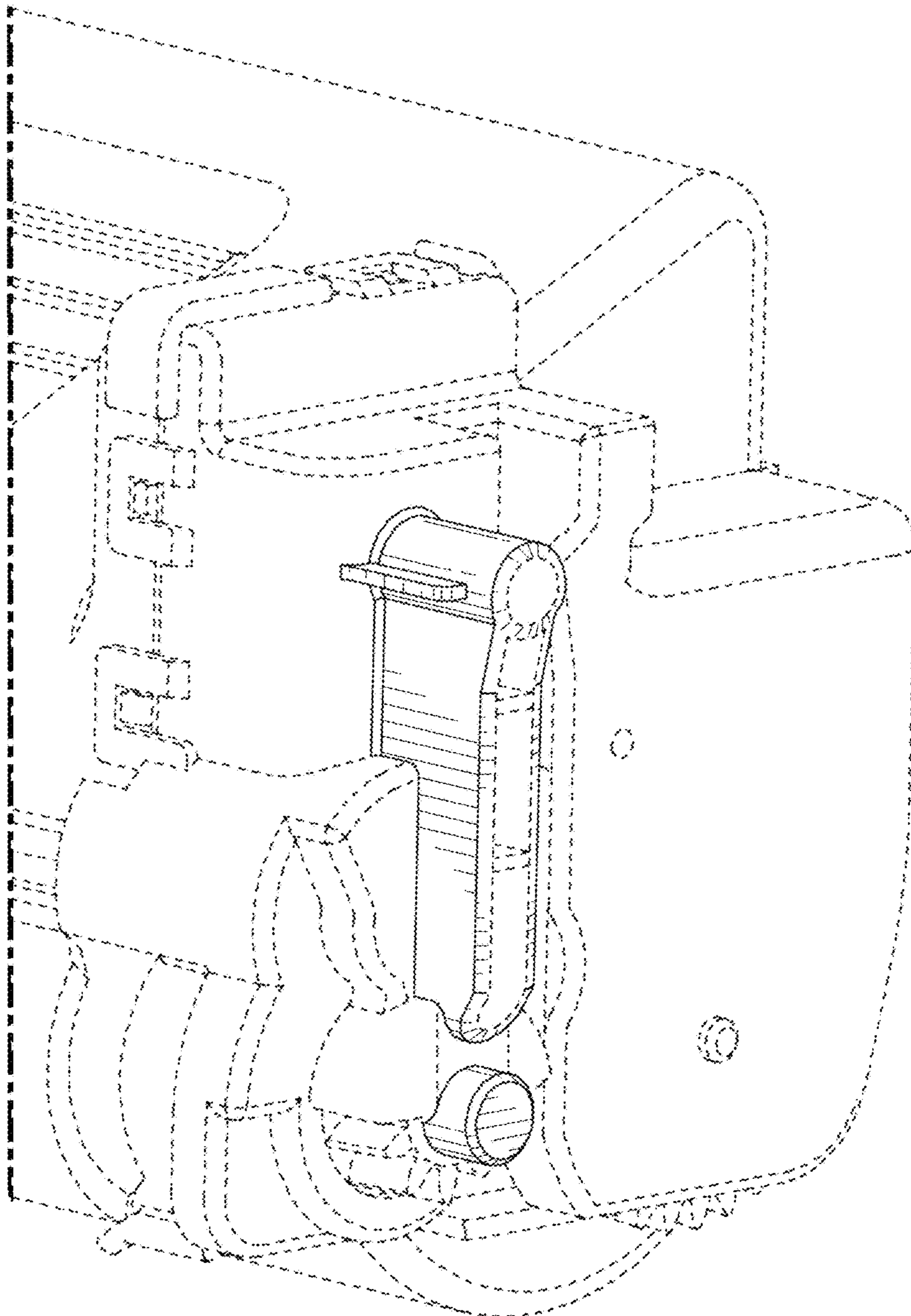


FIG. 8

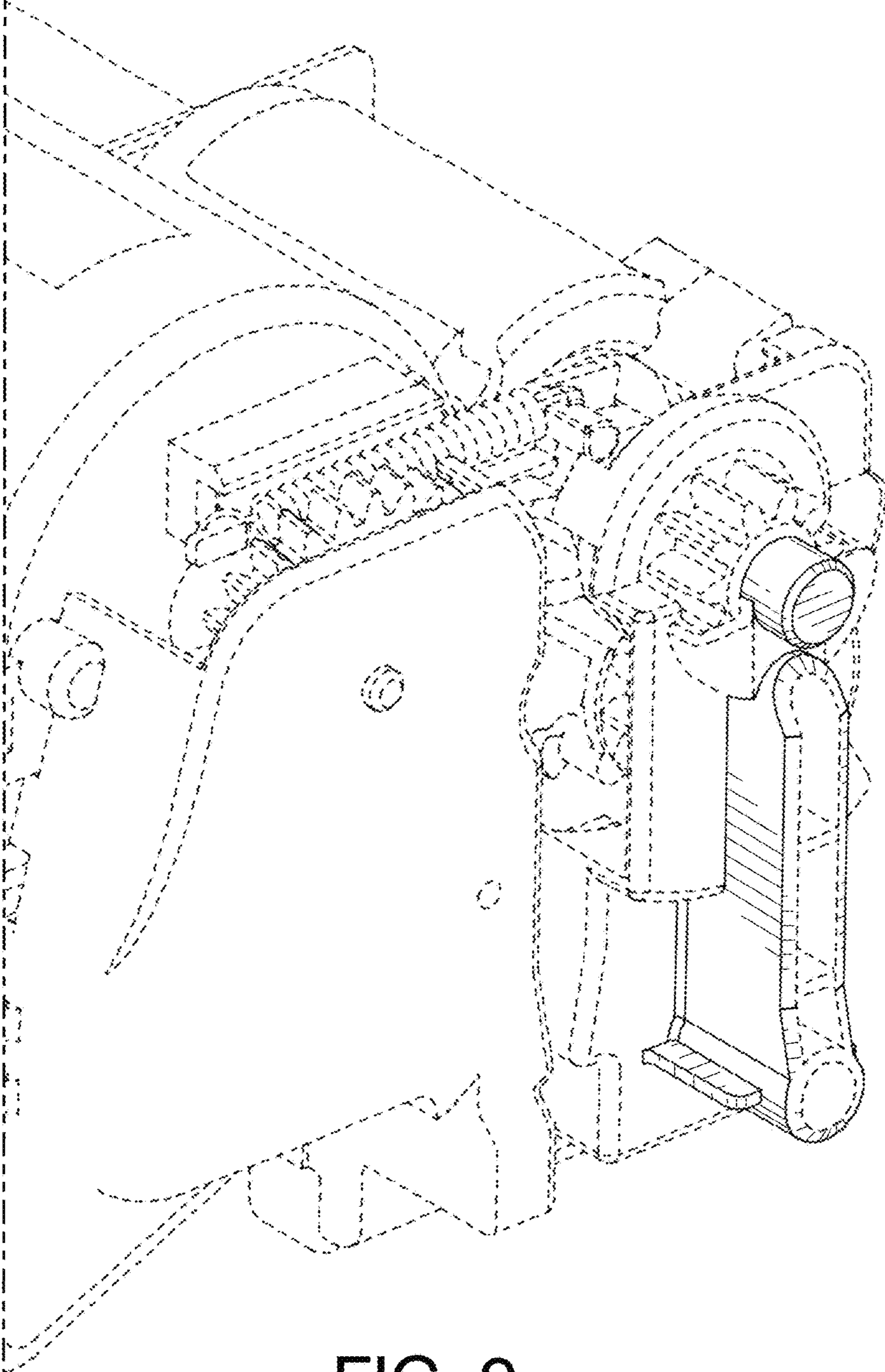


FIG. 9

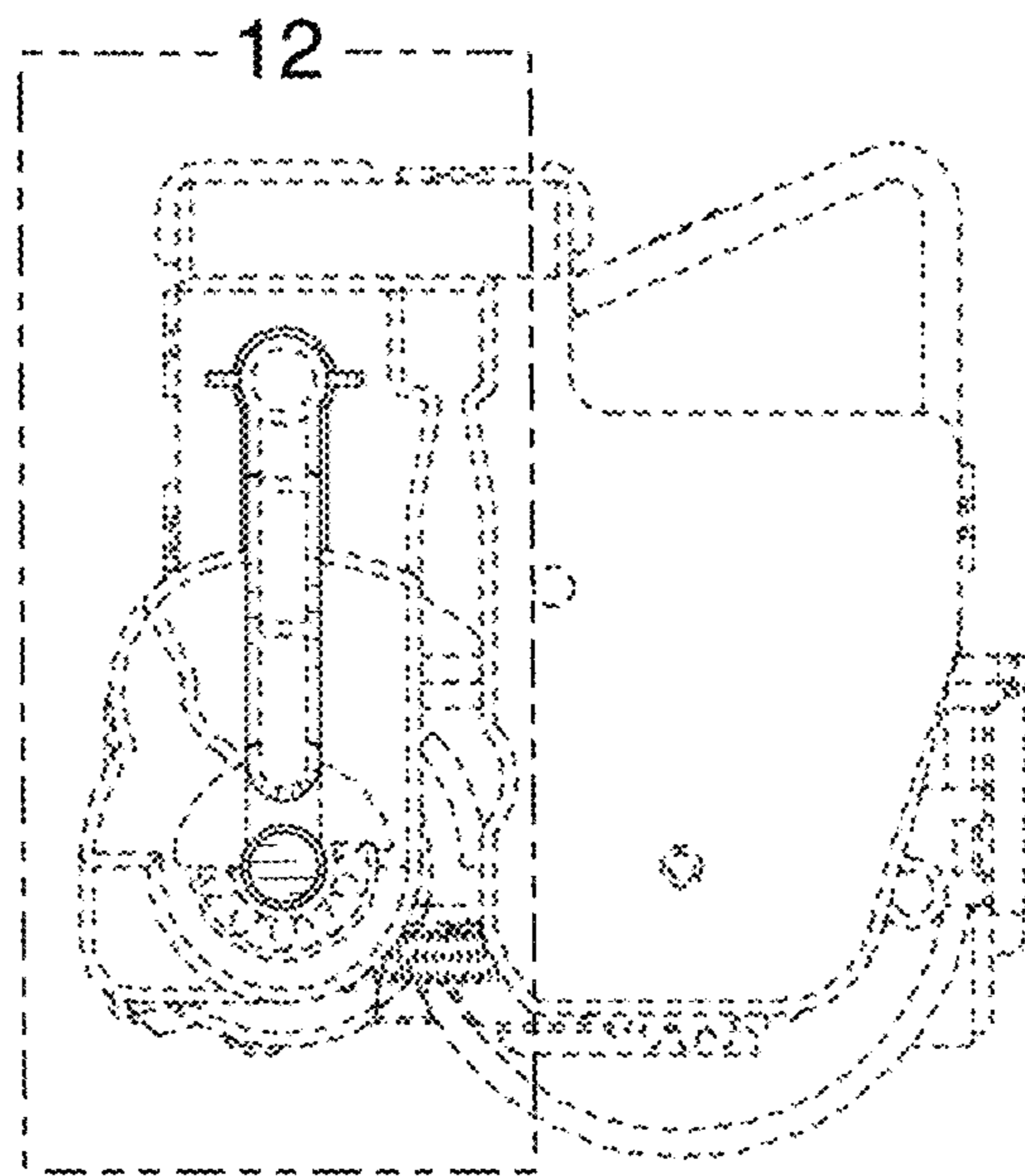


FIG. 10

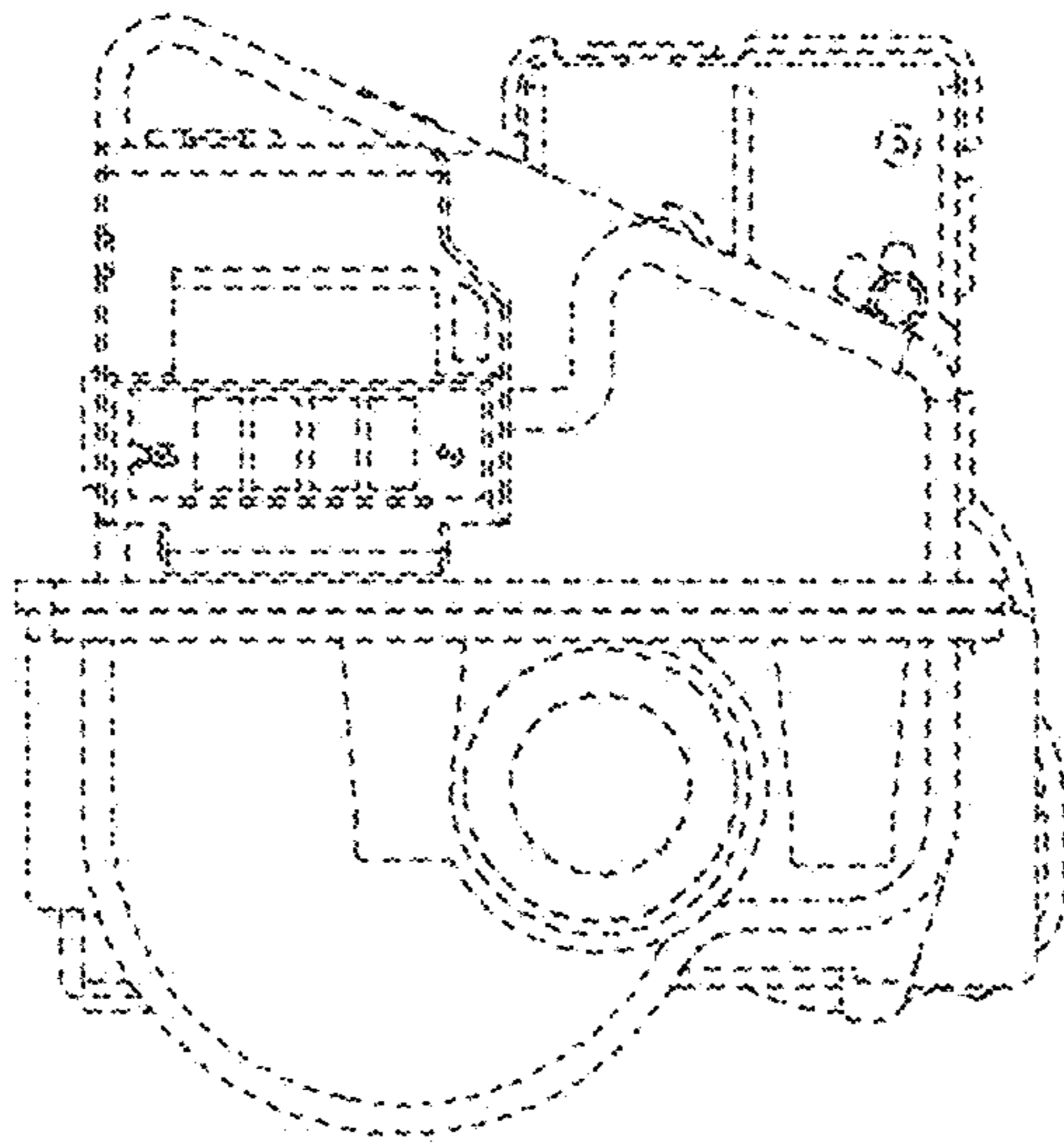


FIG. 11

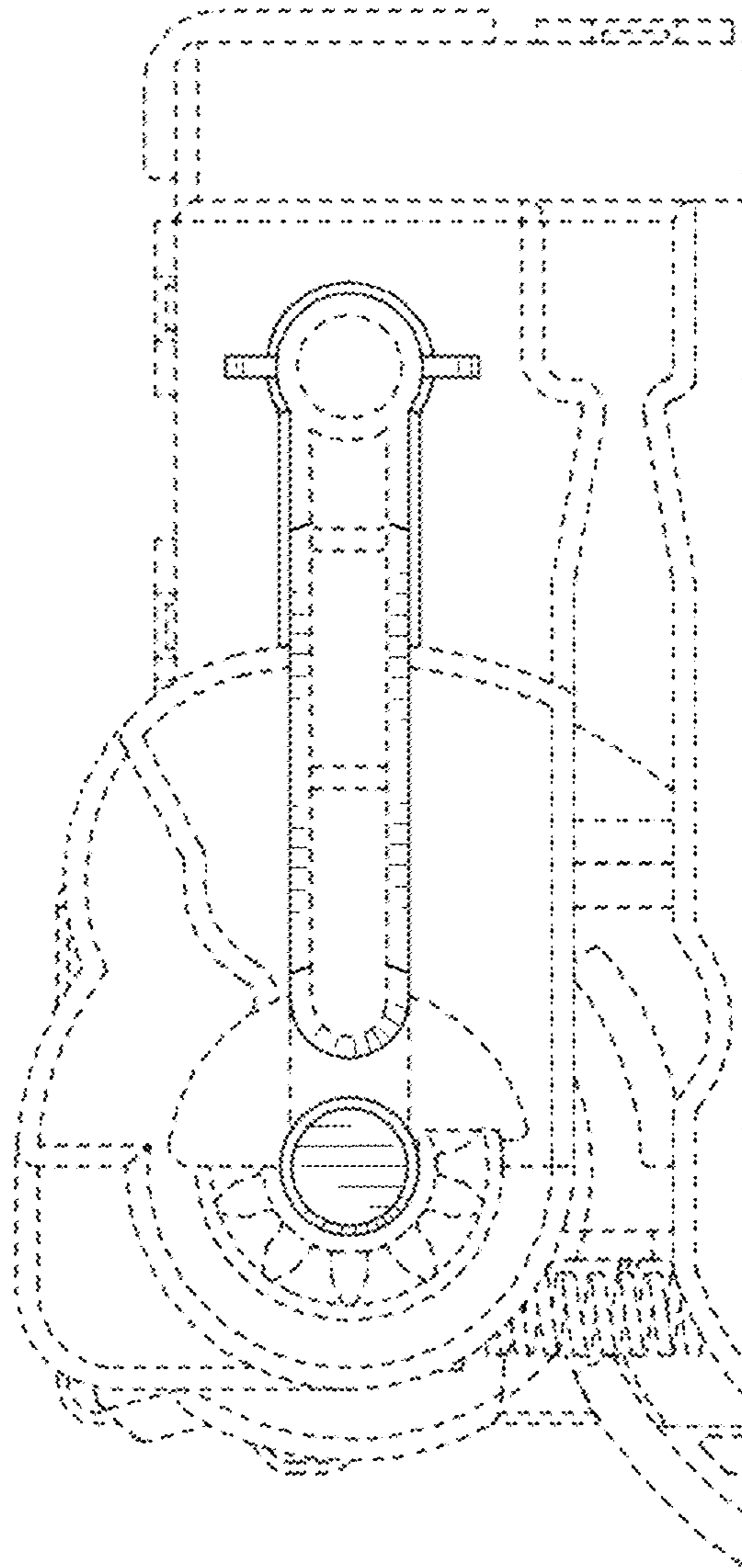


FIG. 12