



US00D847250S

(12) **United States Design Patent**
Li et al.

(10) **Patent No.:** **US D847,250 S**
(45) **Date of Patent:** **** Apr. 30, 2019**

(54) **NOSE PAD**
(71) Applicant: **SHENZHEN DLODLO NEW TECHNOLOGY CO., LTD.**,
Shenzhen, Guangdong (CN)
(72) Inventors: **Gang Li**, Guangdong (CN); **Fengxue Zhang**, Guangdong (CN)
(73) Assignee: **SHENZHEN DLODLO NEW TECHNOLOGY CO., LTD.**,
Shenzhen, Guangdong (CN)
(**) Term: **15 Years**

D386,777 S * 11/1997 Hall D16/332
D389,506 S * 1/1998 Conway D16/332
D444,491 S * 7/2001 Iwanaga D16/333
6,601,955 B1 * 8/2003 Le Van Meutte G02C 5/12
351/130
D509,528 S * 9/2005 Cole D16/309
D516,112 S * 2/2006 Cole D16/309
D543,577 S * 5/2007 Lennox D16/327
D543,578 S * 5/2007 Lennox D16/327
D676,897 S * 2/2013 Seo D16/332
8,371,691 B2 * 2/2013 Chiou G02C 9/00
351/47
D726,246 S * 4/2015 Shalon D16/300
D728,003 S * 4/2015 Astapenko D16/300
D745,082 S * 12/2015 Ooba D16/311
D795,951 S * 8/2017 Alex D16/300

(Continued)

(21) Appl. No.: **29/631,422**

(22) Filed: **Dec. 29, 2017**

(30) **Foreign Application Priority Data**

Jun. 30, 2017 (CN) 2017 3 0283544

(51) **LOC (11) Cl.** **16-06**

(52) **U.S. Cl.**
USPC **D16/332**

(58) **Field of Classification Search**
USPC D16/300-342, 101; D29/109-110;
D21/483, 659-661; 351/41, 44, 45-48,
351/51-52, 62, 158, 92, 103-123,
351/140-153, 63, 59; 2/13, 15, 426-432,
2/447-449, 441, 434-437
CPC . G02C 5/16; G02C 5/14; G02C 5/146; G02C
5/2254; G02C 5/008; G02C 2200/08;
G02C 2200/22; G02C 1/06; G02C 11/02;
G02C 11/04; A61M 2021/0044; A63B
33/002

See application file for complete search history.

(56) **References Cited**

U.S. PATENT DOCUMENTS

D310,229 S * 8/1990 Anger D16/337
5,526,070 A * 6/1996 Simioni G02C 5/126
351/136

Primary Examiner — Michelle E. Wilson
Assistant Examiner — Sanjeev Paul
(74) *Attorney, Agent, or Firm* — Apex Attorneys at Law,
LLP; Yue(Robert) Xu

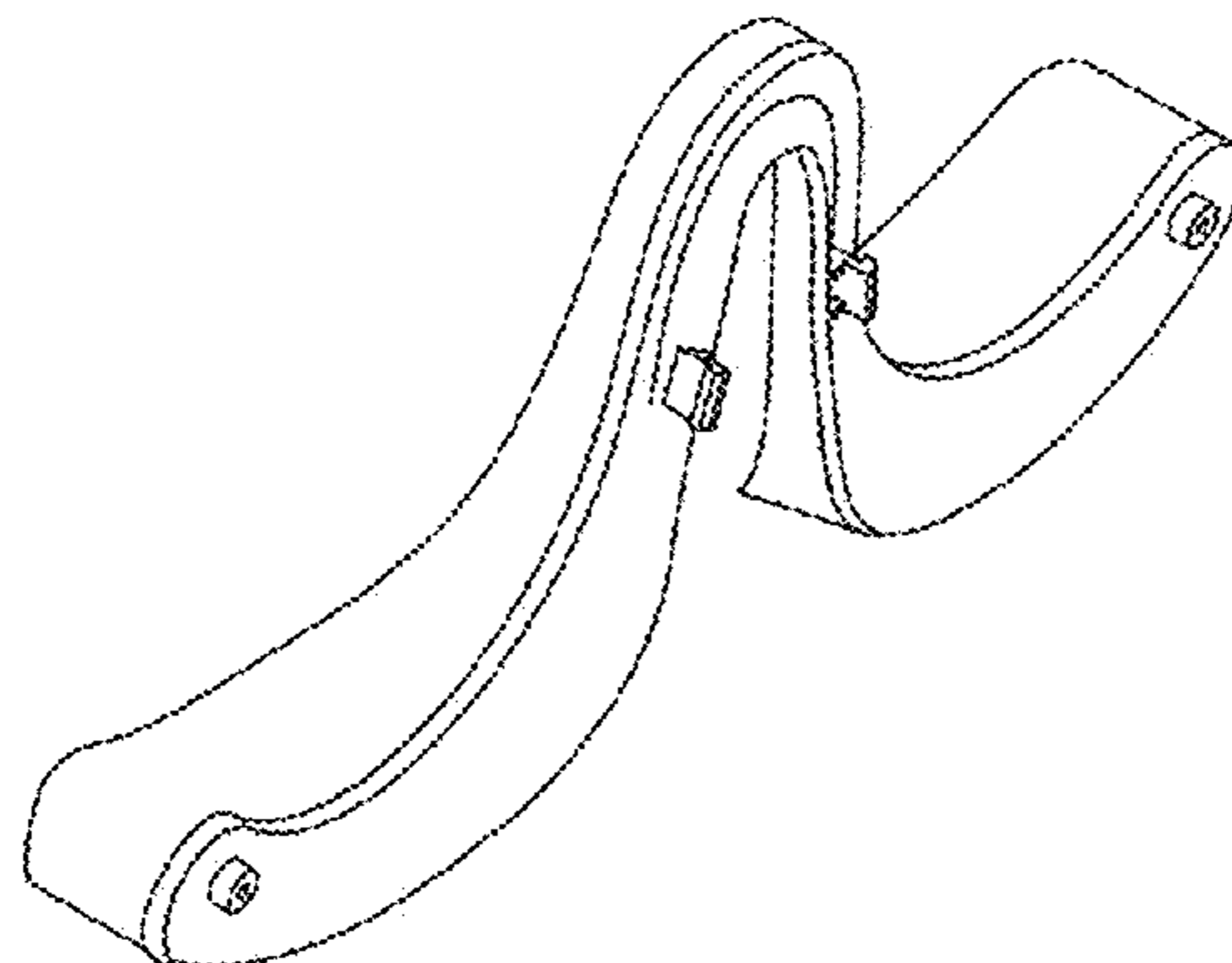
(57) **CLAIM**

The ornamental design for a nose pad, as shown and described.

DESCRIPTION

FIG. 1 is a front view of a nose pad, showing our new design;
FIG. 2 is a rear view thereof;
FIG. 3 is a left view thereof;
FIG. 4 is a right view thereof;
FIG. 5 is a top view thereof;
FIG. 6 is a bottom view thereof; and,
FIG. 7 is a perspective view thereof.
The broken lines shown in the figures are included for the purpose of illustrating portions of the nose pad and form no part of the claimed design.

1 Claim, 7 Drawing Sheets



(56)

References Cited

U.S. PATENT DOCUMENTS

2008/0266515 A1* 10/2008 Hou G02C 3/003
351/140
2011/0296574 A1* 12/2011 Morency G02C 9/00
2/2.5
2011/0317122 A1* 12/2011 Havens-Olmstead ... G02C 5/12
351/136

* cited by examiner

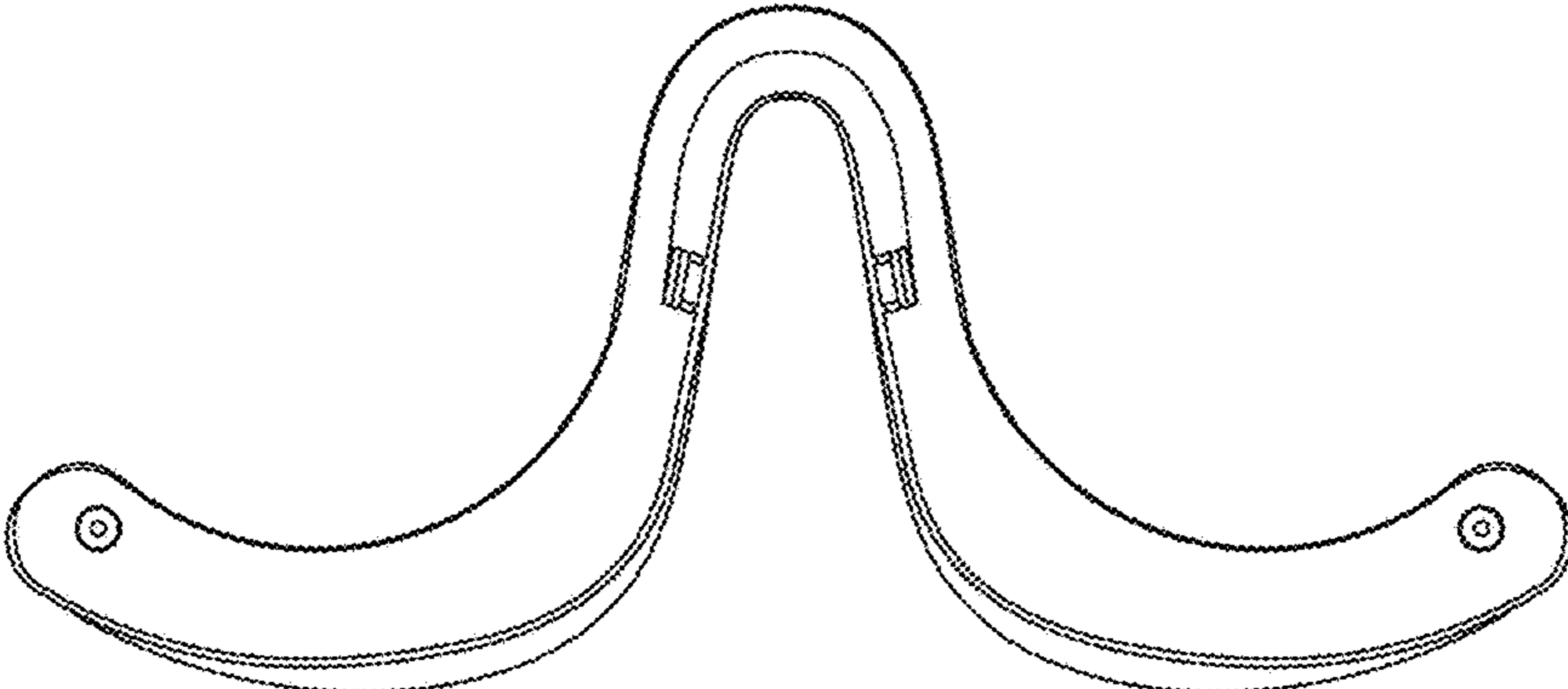


FIG. 1

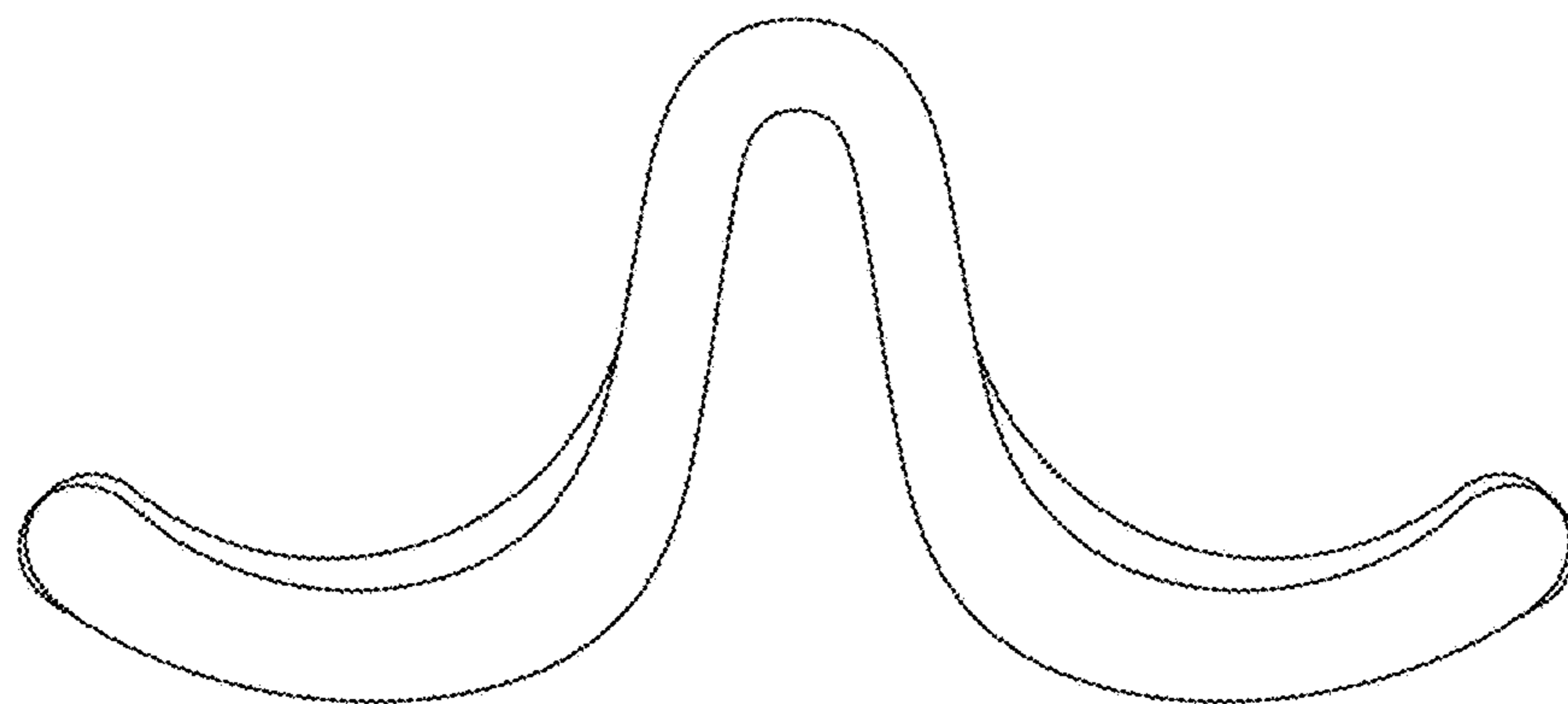


FIG. 2

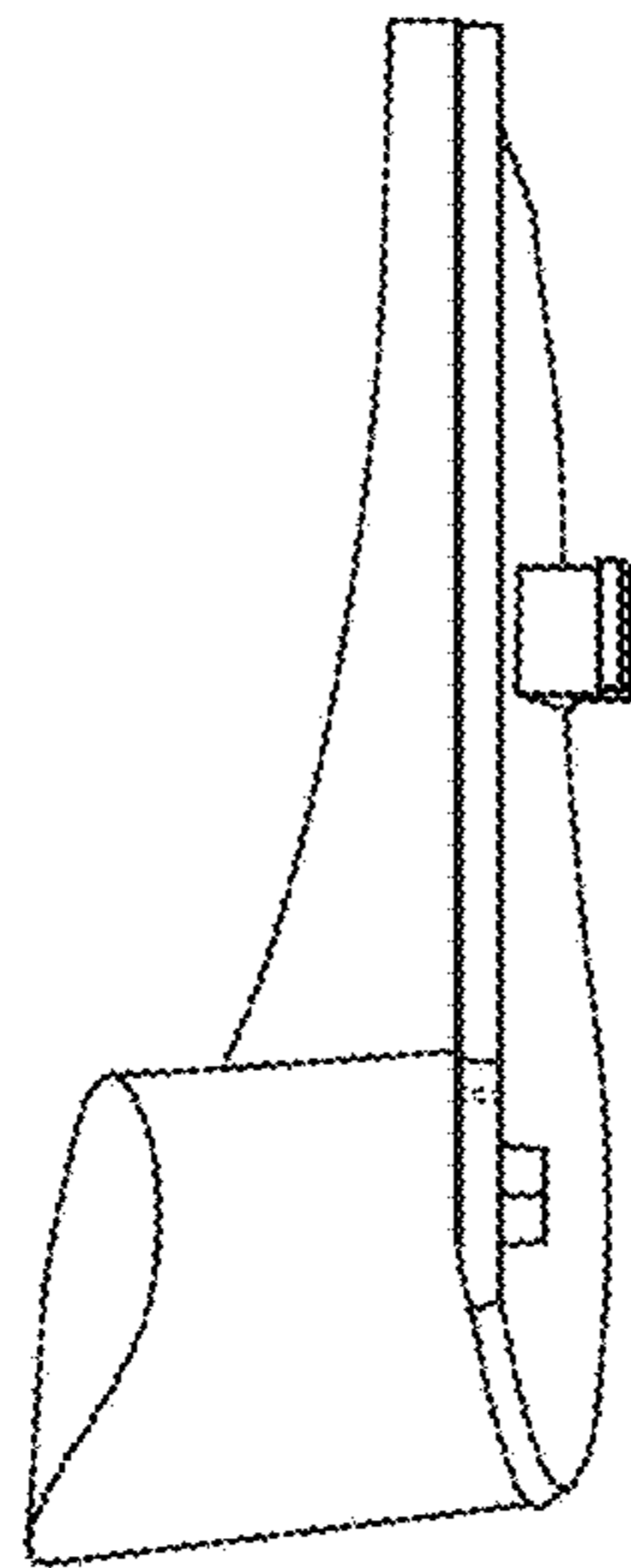


FIG. 3

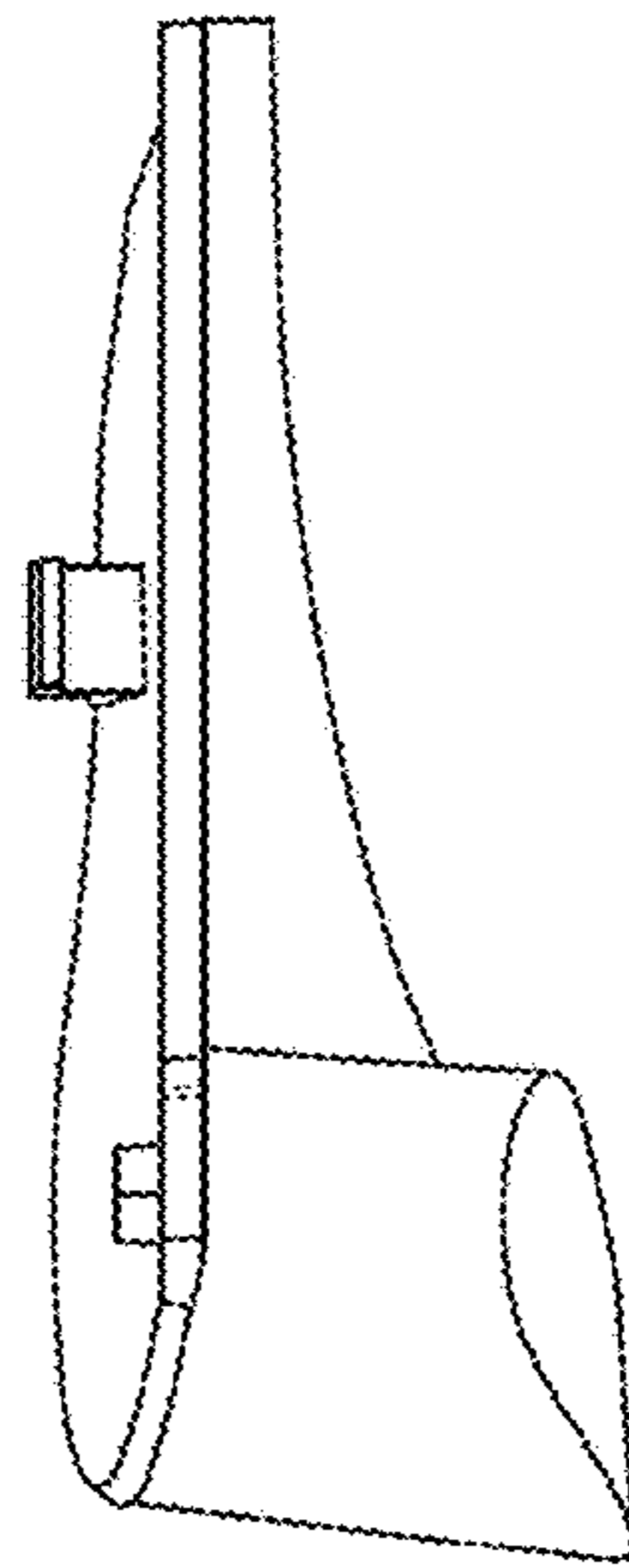


FIG. 4

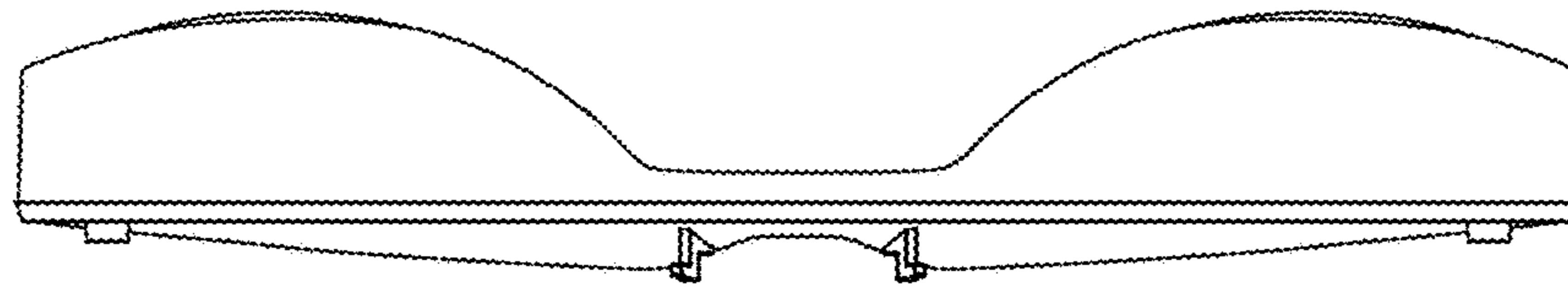


FIG. 5

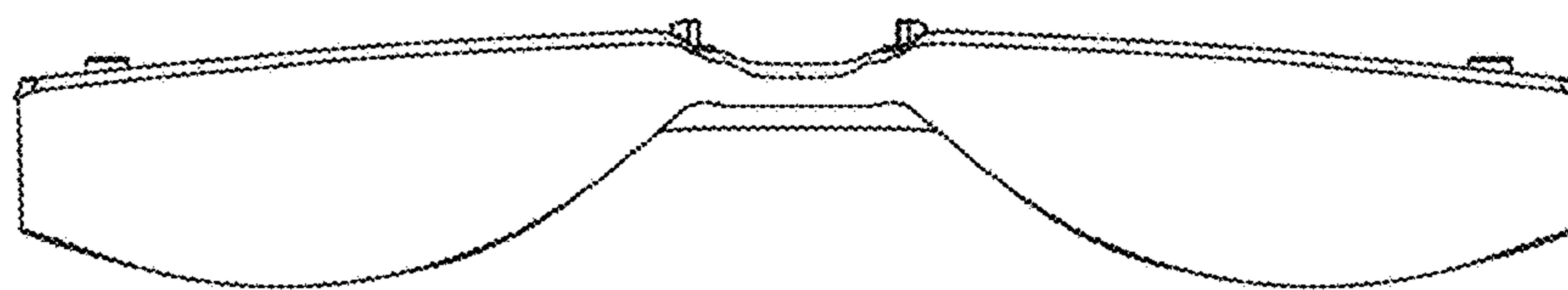


FIG. 6

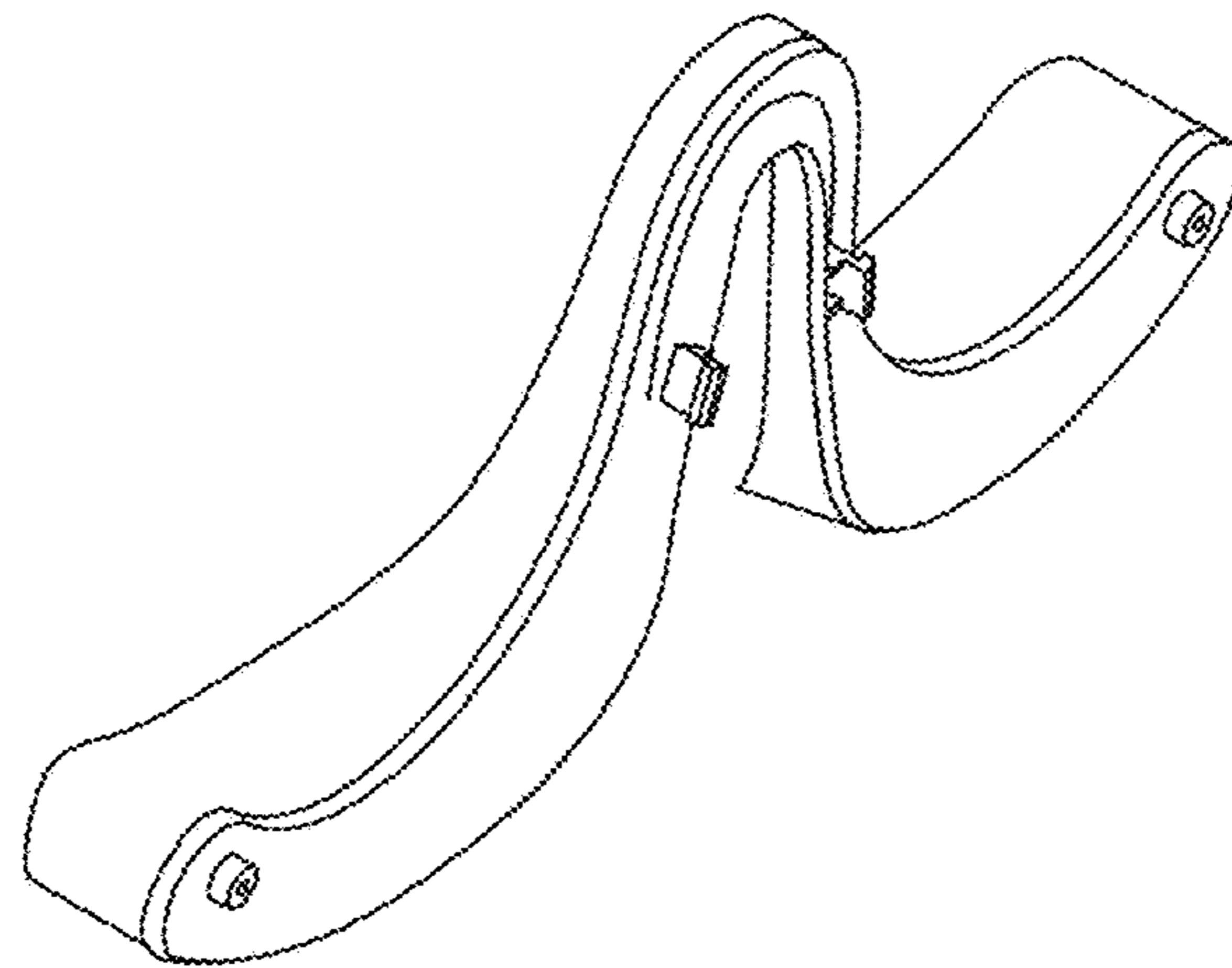


FIG. 7