



US00D847246S

(12) **United States Design Patent**  
**Fischbach**

(10) **Patent No.:** **US D847,246 S**

(45) **Date of Patent:** **\*\* Apr. 30, 2019**

(54) **BINOCULARS**

(71) Applicant: **STEINER-OPTIK GMBH**, Bayreuth  
(DE)

(72) Inventor: **Manfred Fischbach**,  
Himmelkron-Gössenreuth (DE)

(73) Assignee: **STEINER-OPTIK GMBH** (DE)

(\*\*) Term: **15 Years**

(21) Appl. No.: **29/571,379**

(22) Filed: **Jul. 18, 2016**

(30) **Foreign Application Priority Data**

Jan. 18, 2016 (DE) ..... 40 2016 100 036

(51) **LOC (11) Cl.** ..... **16-06**

(52) **U.S. Cl.**  
USPC ..... **D16/133**

(58) **Field of Classification Search**  
USPC ..... D3/136; D16/130, 132, 133, 136  
CPC .... G02B 2027/0123; G02B 2027/0132; G02B  
7/06; G02B 7/12; G02B 23/00; G02B  
23/16; G02B 2027/0134; G02B 27/26;  
G02B 23/18

See application file for complete search history.

(56) **References Cited**

**U.S. PATENT DOCUMENTS**

D575,315 S \* 8/2008 Inaba ..... D16/133  
D592,690 S \* 5/2009 Steiner ..... D16/133  
D623,676 S \* 9/2010 Yanagisawa ..... D16/133  
D662,119 S \* 6/2012 Hoshi ..... D16/133  
D666,232 S \* 8/2012 Fischbach ..... D16/133  
D671,974 S \* 12/2012 Wunnicke ..... D16/133

D681,709 S \* 5/2013 Radau ..... D16/133  
D693,867 S \* 11/2013 Radau ..... D16/133  
D700,644 S \* 3/2014 Asano ..... D16/133  
D783,073 S \* 4/2017 Radau ..... D16/133  
2016/0054125 A1\* 2/2016 Hofmann ..... G02B 23/00  
359/809

\* cited by examiner

*Primary Examiner* — Mark A Goodwin

*Assistant Examiner* — Benjamin M Weeks

(74) *Attorney, Agent, or Firm* — Rimôn, P.C.

(57) **CLAIM**

I claim the ornamental design for a binoculars, as shown and described.

**DESCRIPTION**

FIG. 1 is an upper perspective view of binoculars in a first position;

FIG. 2 is a lower perspective view of the binoculars shown in FIG. 1;

FIG. 3 is a top plan view of the binoculars shown in FIG. 1;

FIG. 4 is a bottom plan view of the binoculars shown in FIG. 1;

FIG. 5 is a side plan view of the binoculars shown in FIG. 1;

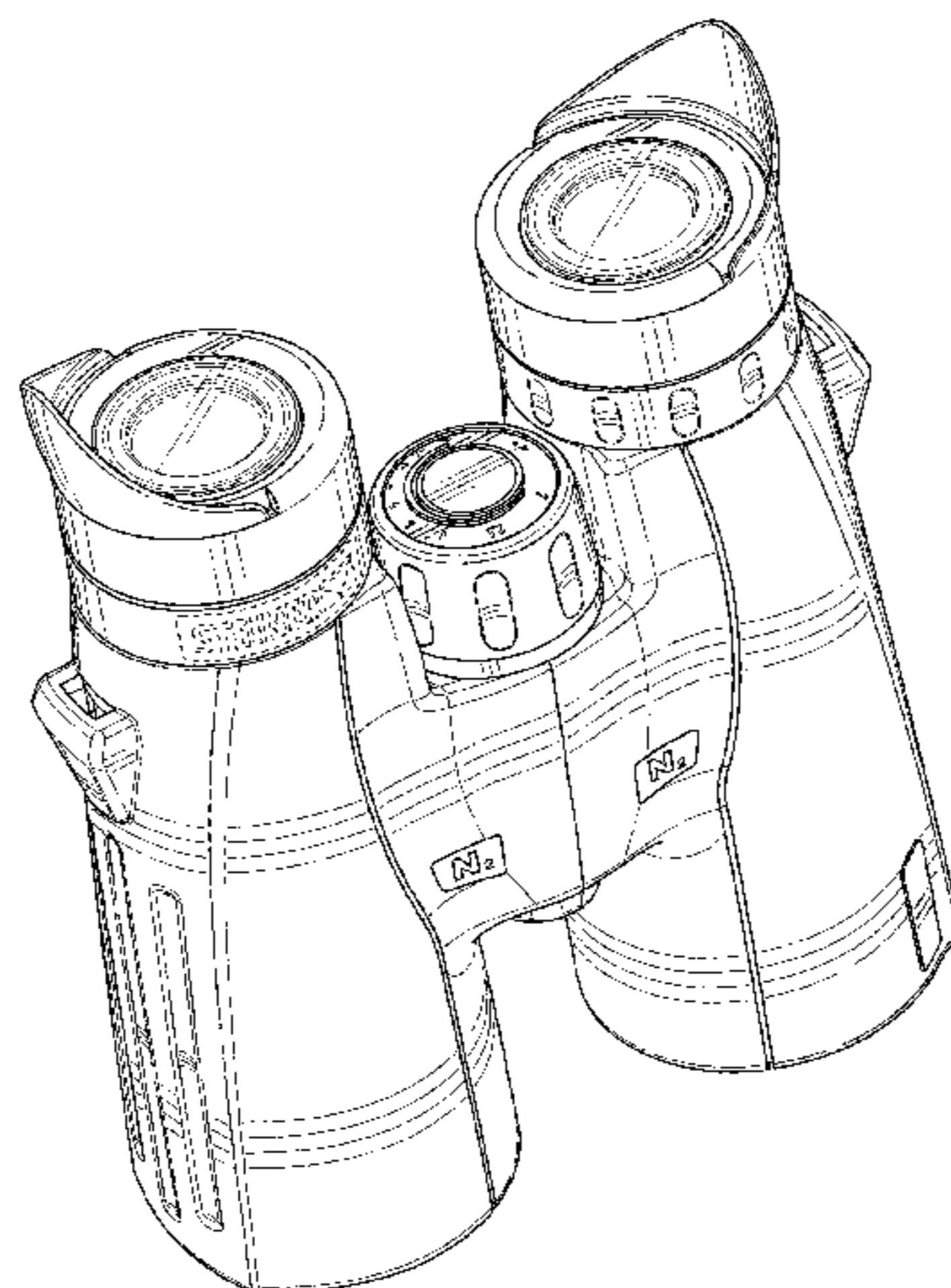
FIG. 6 is a side plan view of the binoculars shown in FIG. 1;

FIG. 7 is a rear plan view of the binoculars shown in FIG. 1; and,

FIG. 8 is a front plan view of the binoculars shown in FIG. 1.

The broken lines represent portions of the binoculars that form no part of the claimed design.

**1 Claim, 8 Drawing Sheets**



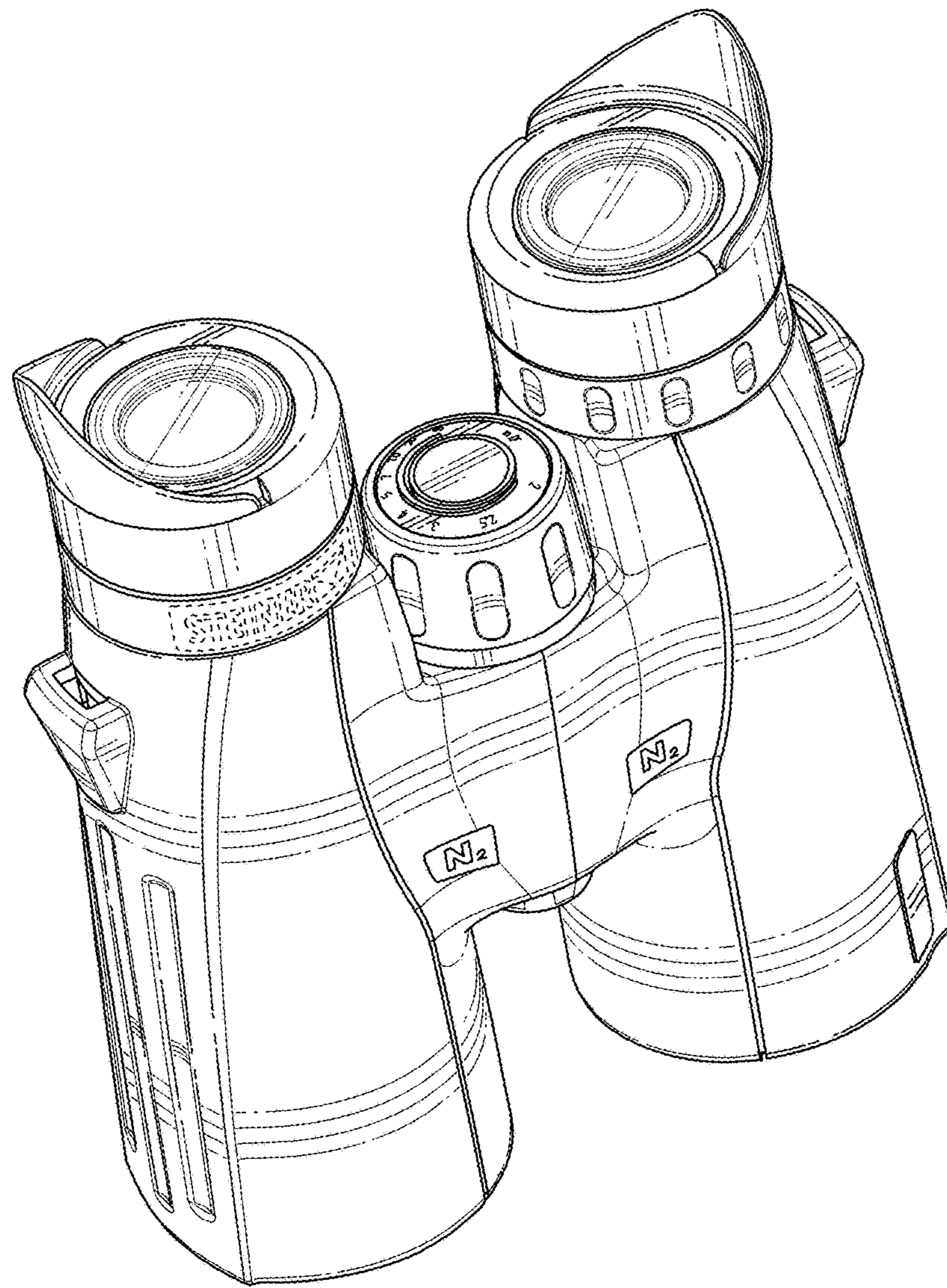


FIG. 1

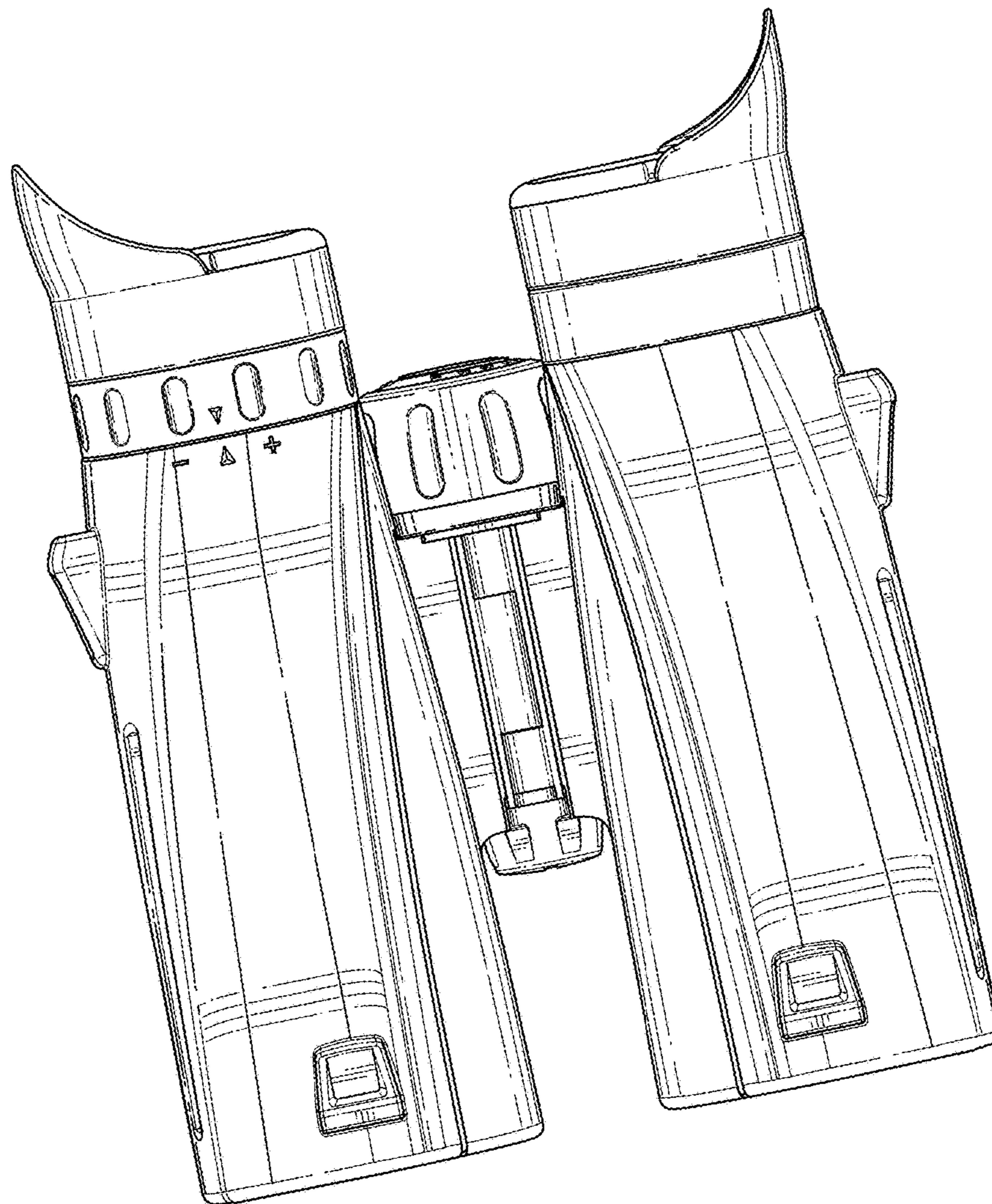


FIG. 2

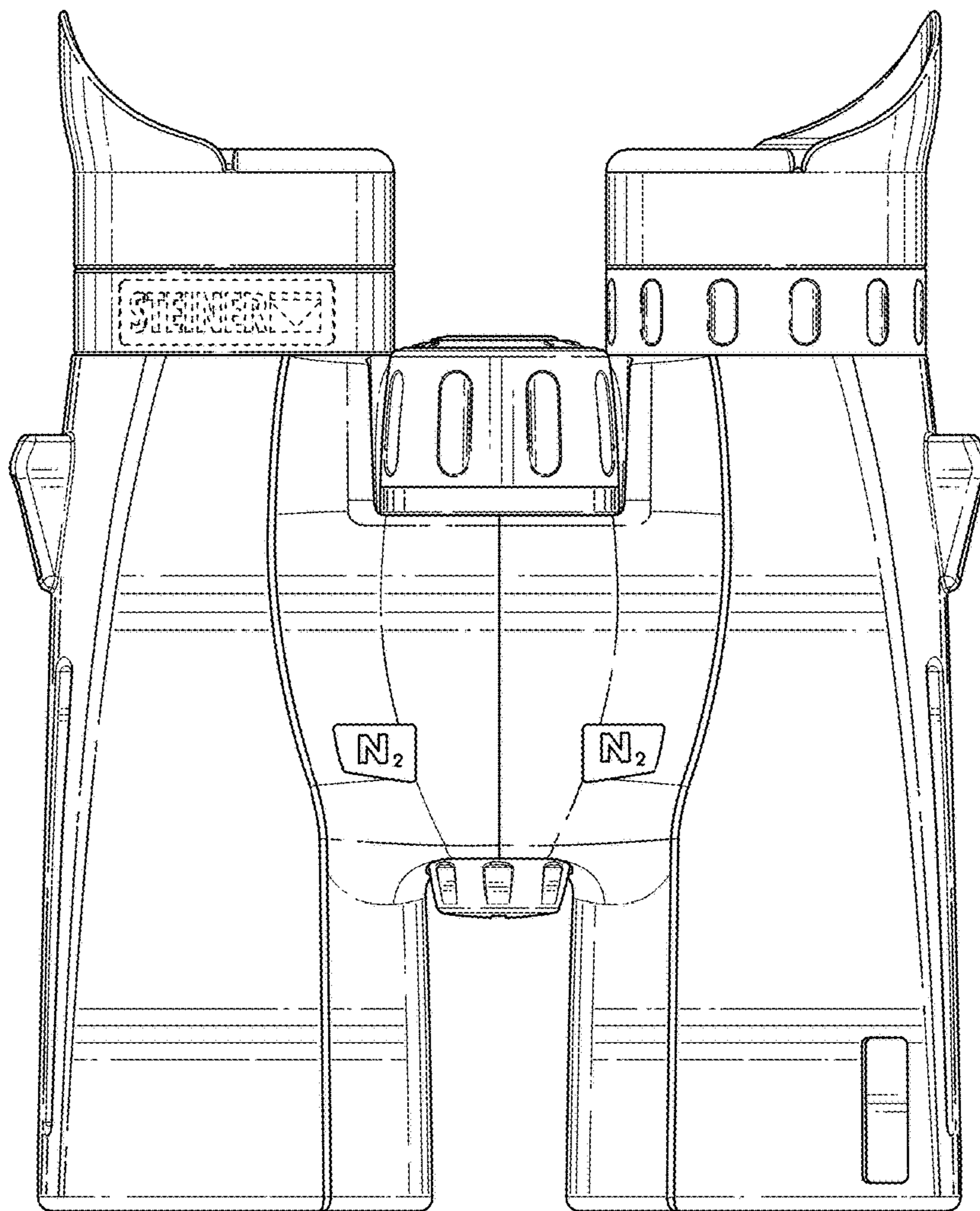


FIG. 3

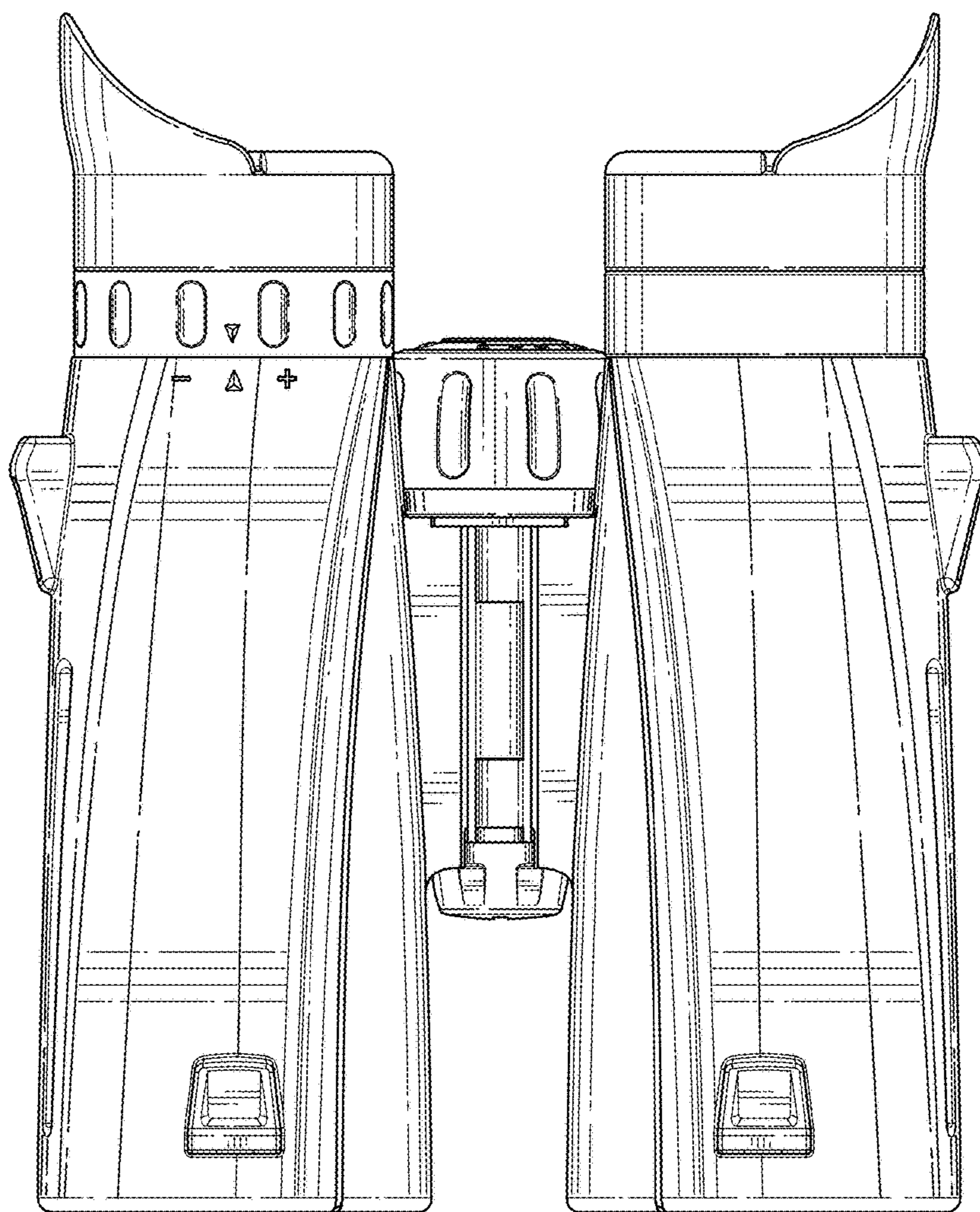


FIG. 4

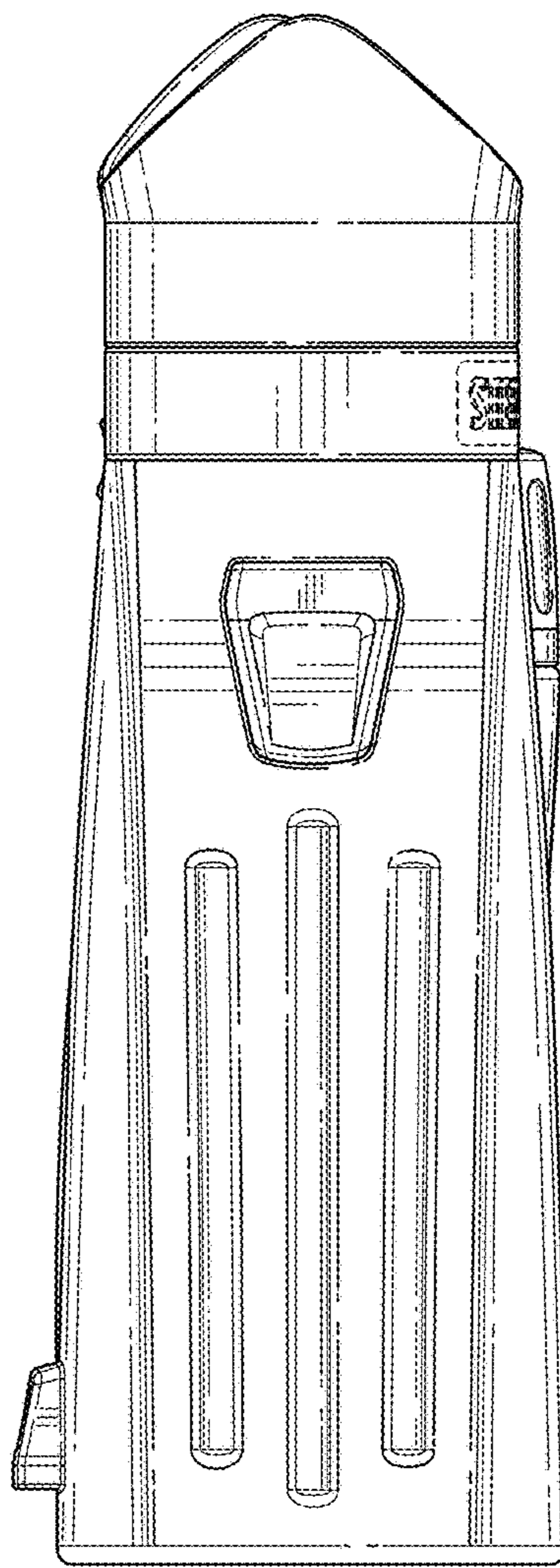


FIG. 5

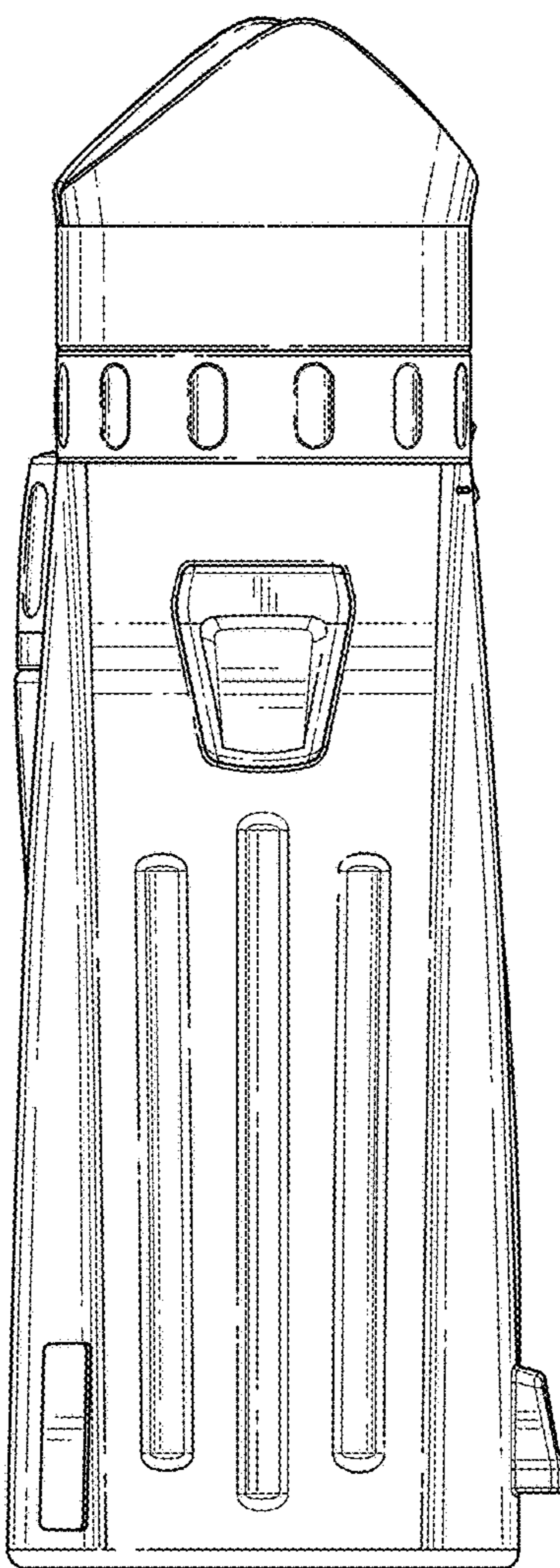


FIG. 6

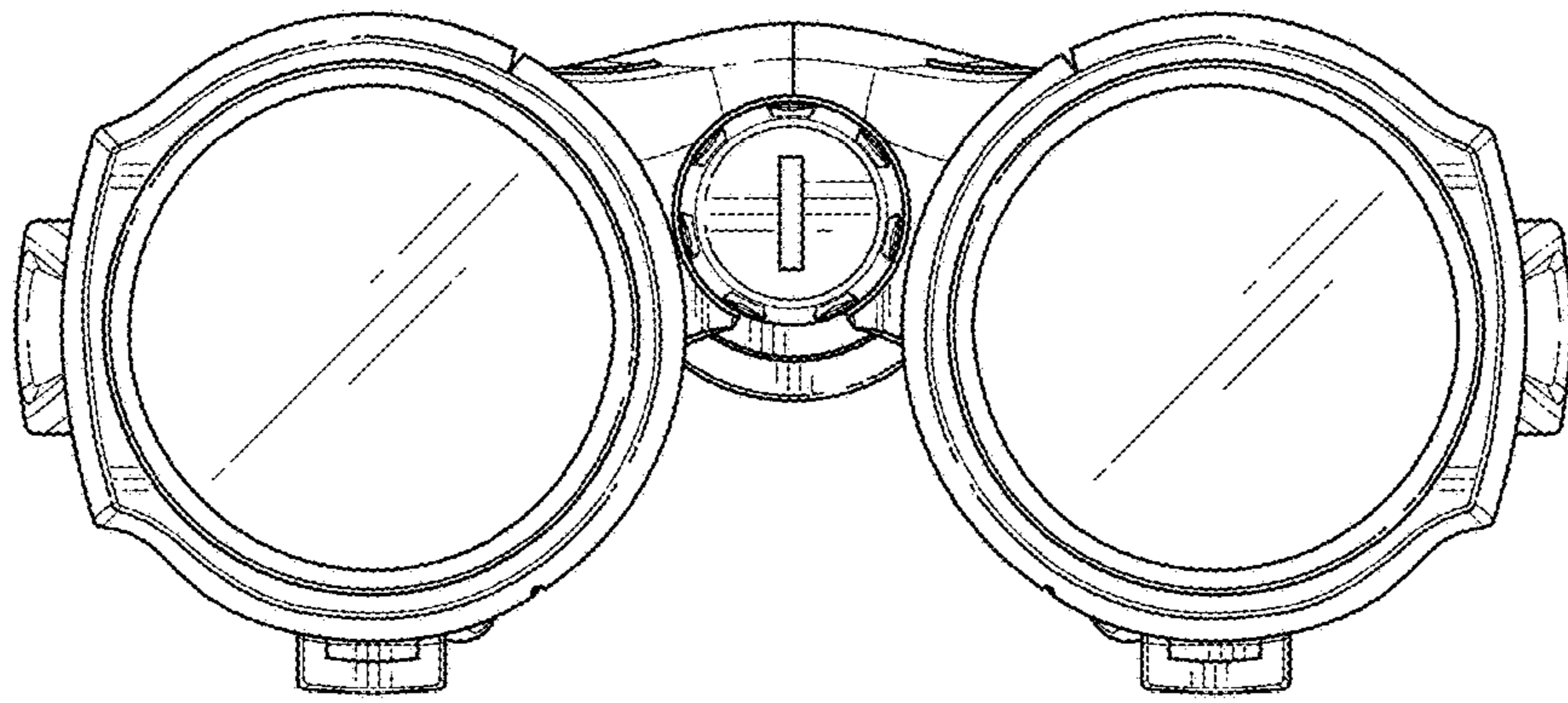


FIG. 7



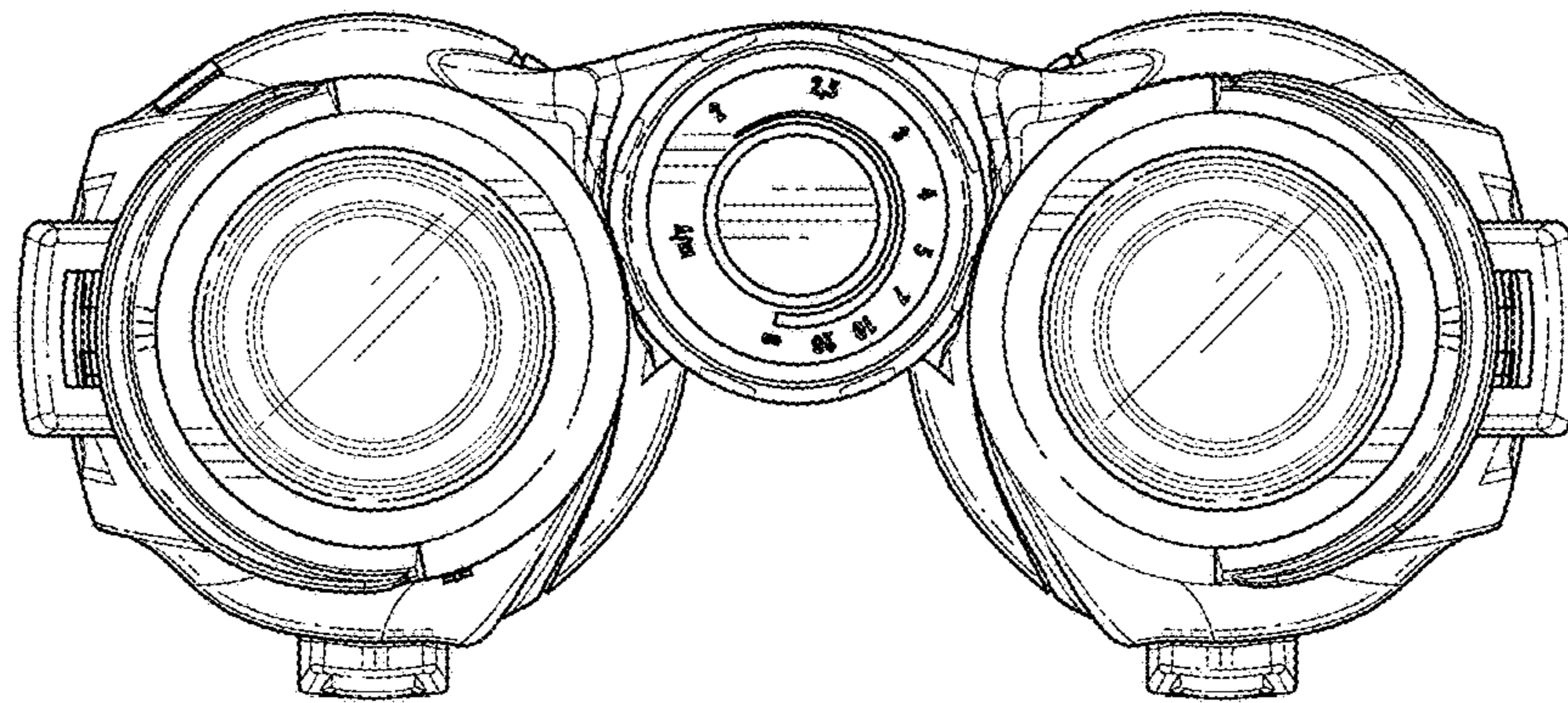


FIG. 8