



US00D847245S

(12) **United States Design Patent**
Siminou

(10) **Patent No.:** **US D847,245 S**

(45) **Date of Patent:** **** *Apr. 30, 2019**

(54) **VISION AID DEVICE**

(71) Applicant: **ENHANCED VISION SYSTEMS, INC.**, Huntington Beach, CA (US)

(72) Inventor: **Kamran Siminou**, Newport Coast, CA (US)

(73) Assignee: **Freedom Scientific, Inc.**, Clearwater, FL (US)

(*) Notice: This patent is subject to a terminal disclaimer.

(**) Term: **15 Years**

(21) Appl. No.: **29/613,239**

(22) Filed: **Aug. 8, 2017**

(51) **LOC (11) Cl.** **16-06**

(52) **U.S. Cl.**
USPC **D16/132**

(58) **Field of Classification Search**
USPC D16/130, 132, 133; D22/100, 108
CPC .. F41G 3/08; G02B 23/00; G02B 1/00; G02B 21/00; H04N 5/2259
See application file for complete search history.

(56) **References Cited**

U.S. PATENT DOCUMENTS

D274,915 S * 7/1984 Keil D16/133
D351,397 S * 10/1994 Dor D16/130

D397,127 S * 8/1998 Chang D16/133
D424,083 S * 5/2000 Lee D16/133
D425,532 S * 5/2000 Lee D16/133
D425,922 S * 5/2000 Huckenbeck D16/133
D482,711 S * 11/2003 Kishigami D16/133
D597,575 S * 8/2009 Steiner D16/133
D666,654 S * 9/2012 Fischbach D16/133
D816,749 S * 5/2018 Kung D16/133
D817,376 S * 5/2018 Vogl D16/132

* cited by examiner

Primary Examiner — John Windmuller

Assistant Examiner — Benjamin M Weeks

(74) *Attorney, Agent, or Firm* — GrayRobinson, P.A.;
Michael J. Colitz, III

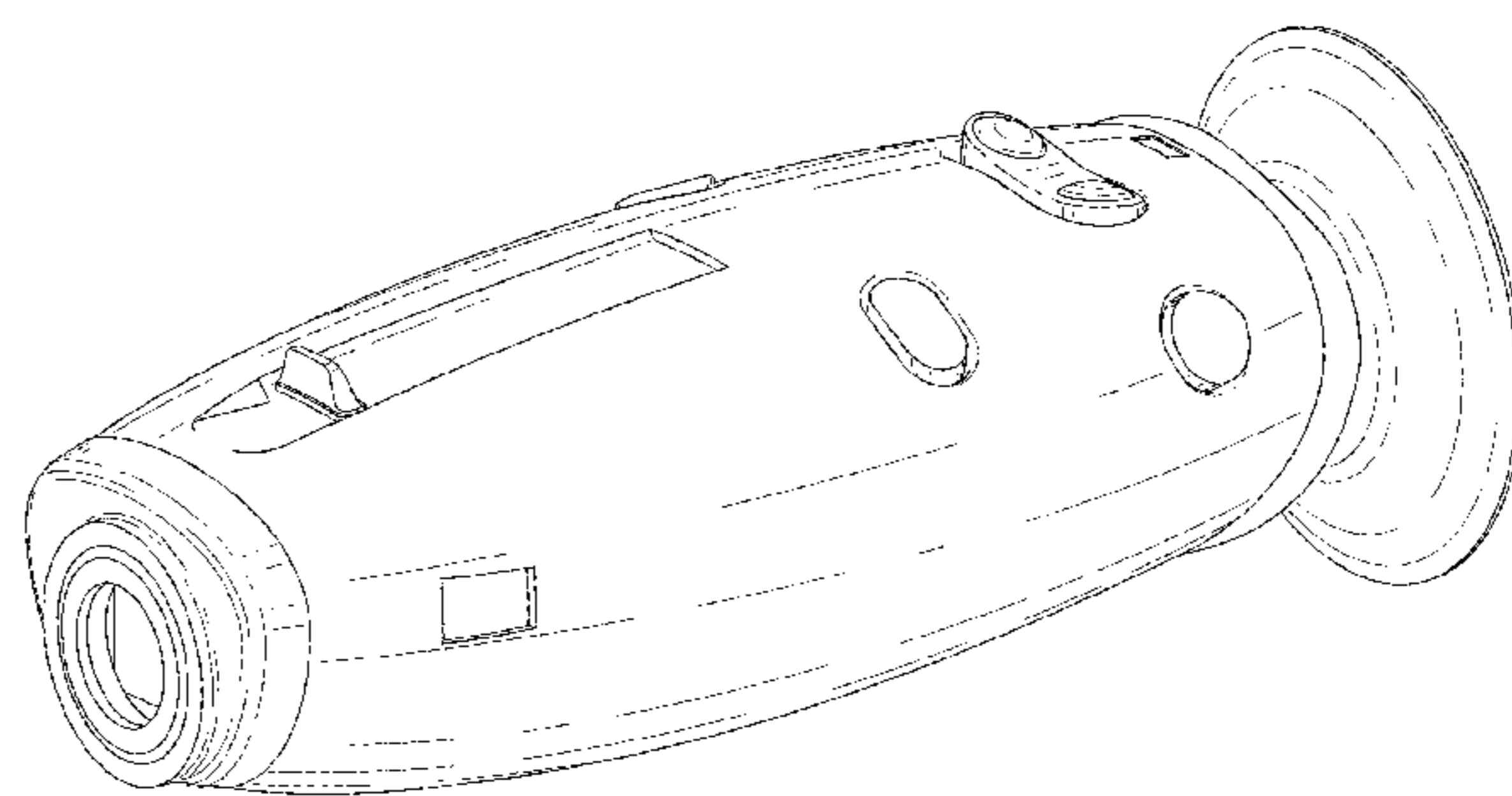
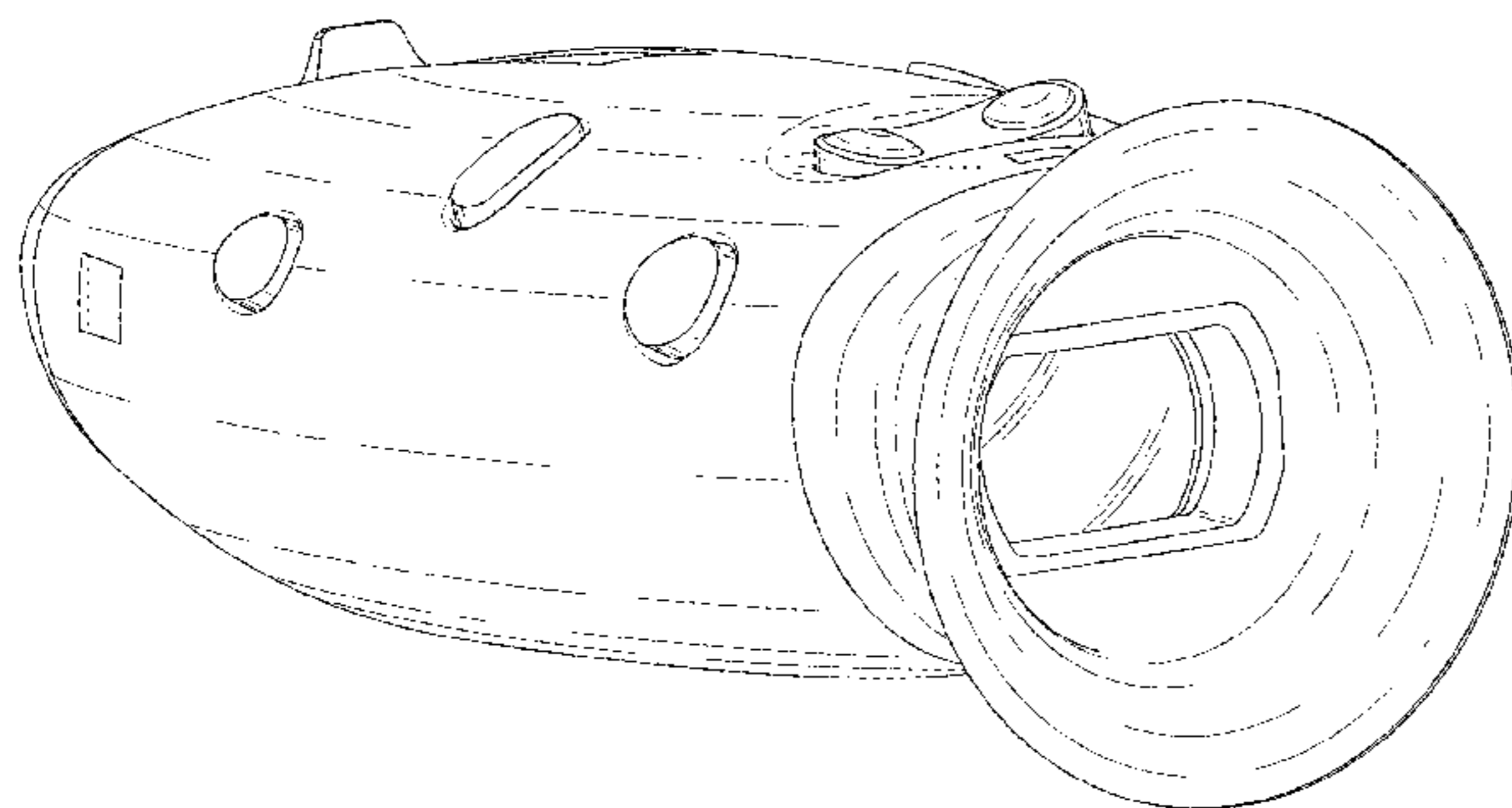
(57) **CLAIM**

What is claimed is the ornamental design for a vision aid device, as shown and described.

DESCRIPTION

FIG. 1 is a front and left side perspective view of a vision aid device embodying the new design;
FIG. 2 is a rear and left side perspective view thereof;
FIG. 3 is a rear and bottom perspective view thereof
FIG. 4 is a top view thereof;
FIG. 5 is a bottom view thereof;
FIG. 6 is a left side view thereof;
FIG. 7 is a right side view thereof;
FIG. 8 is a rear view thereof; and,
FIG. 9 is a front view thereof.

1 Claim, 5 Drawing Sheets



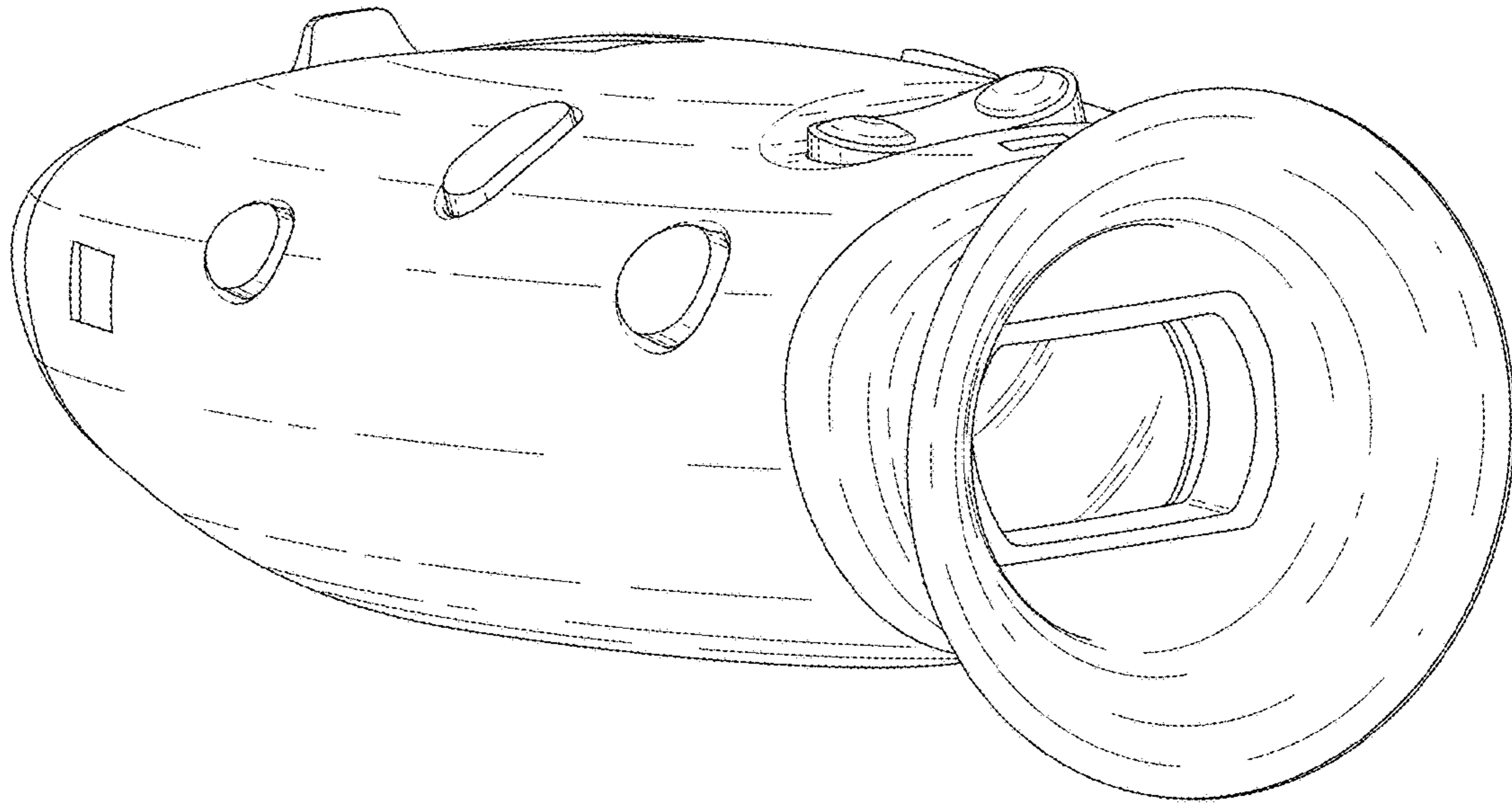


Fig. 1

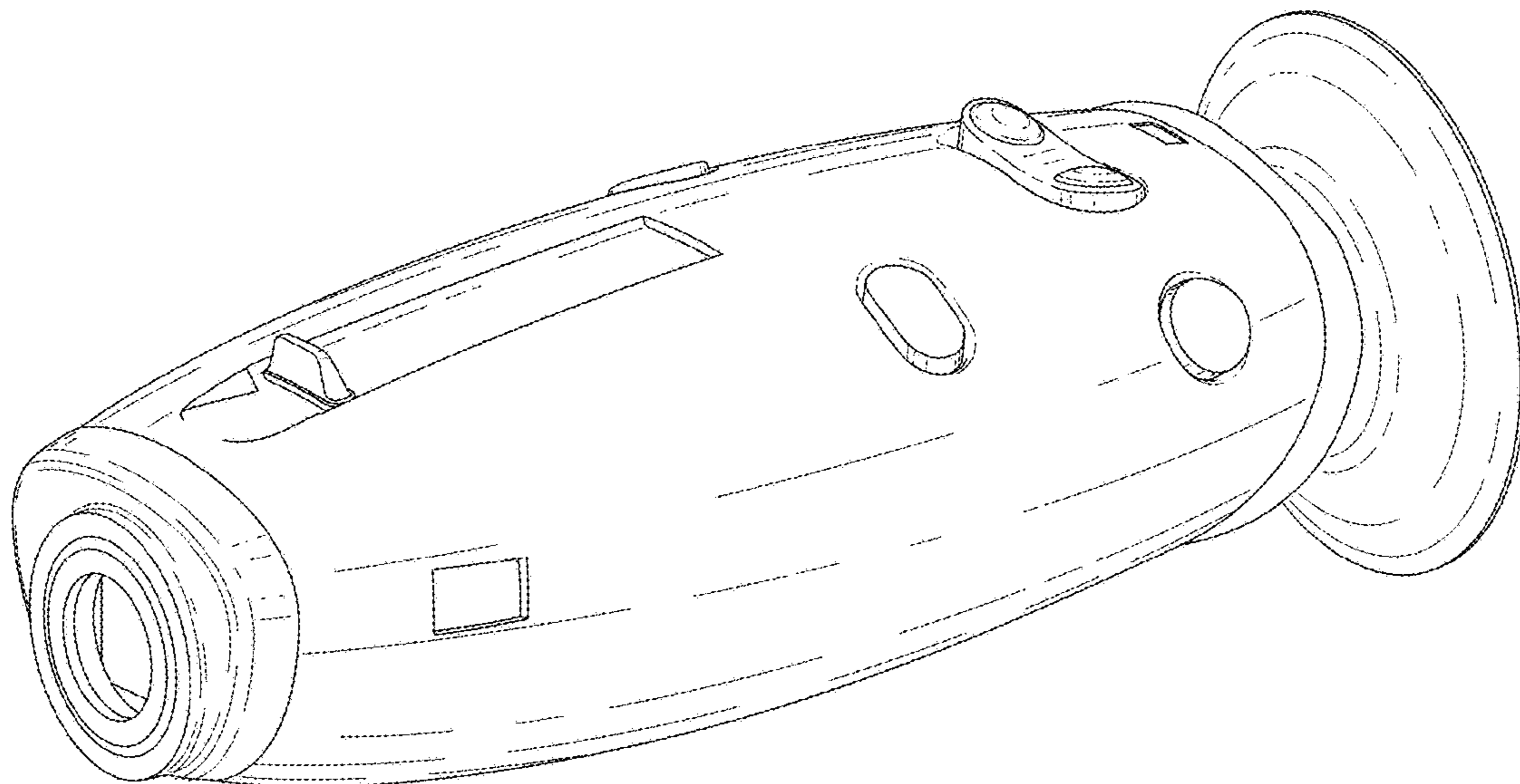


Fig. 2

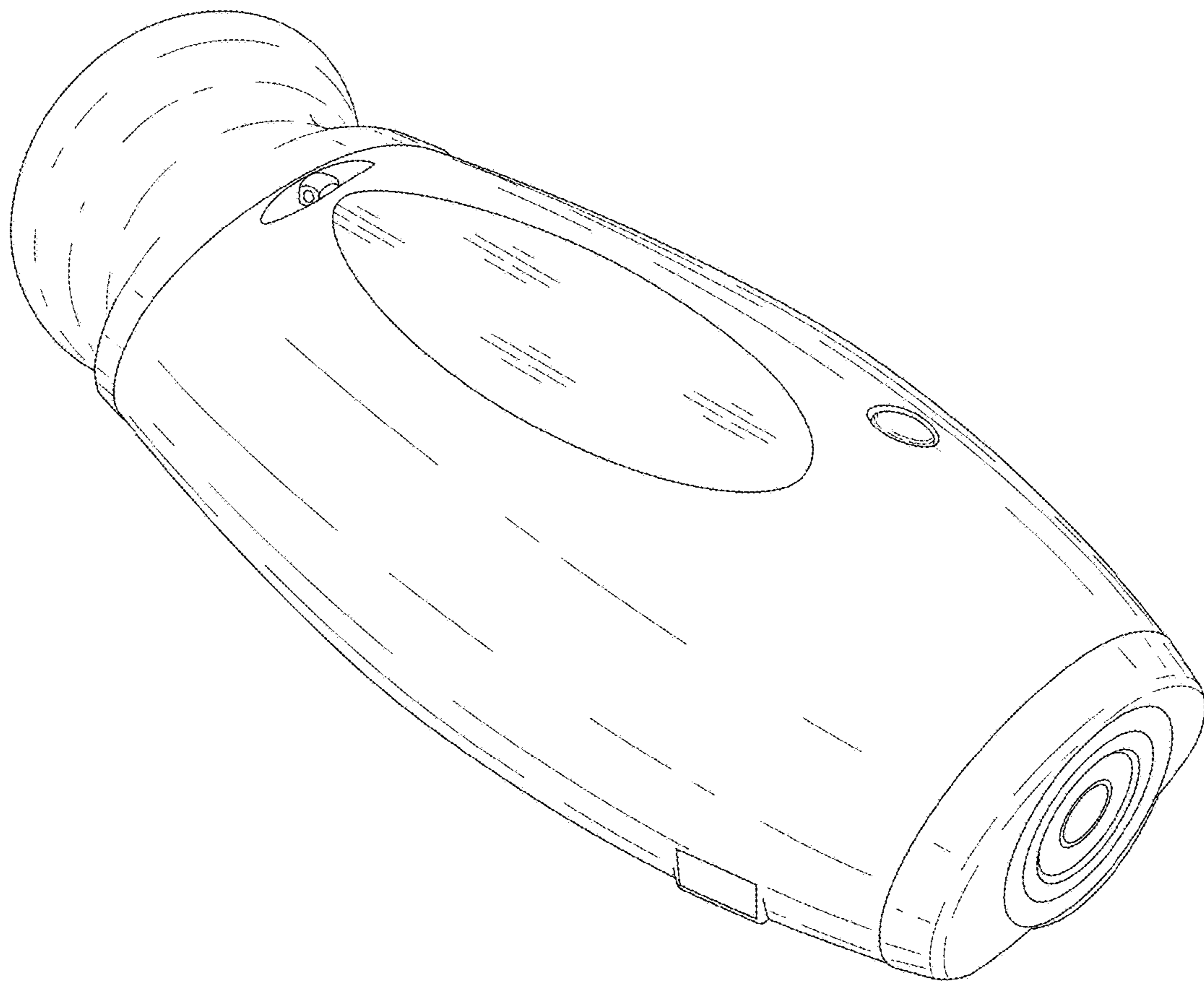


Fig. 3

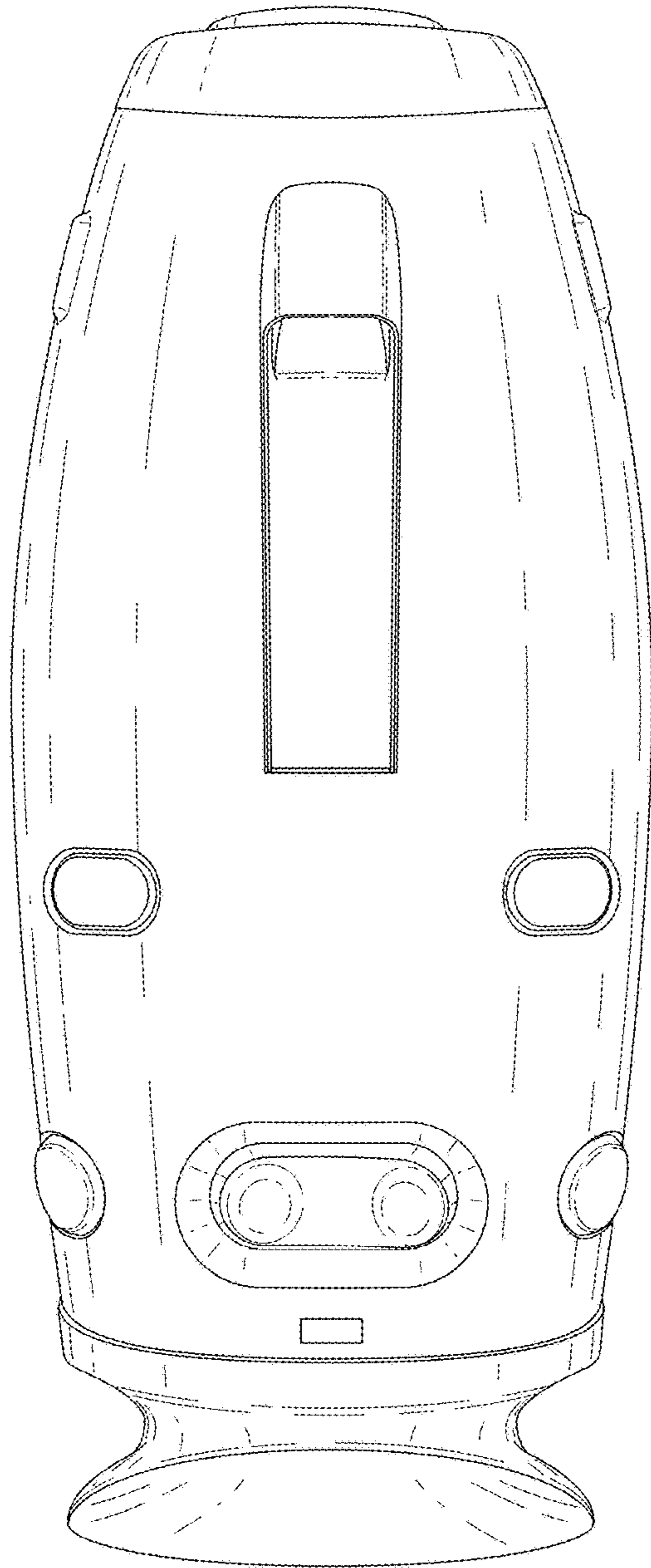


Fig. 4

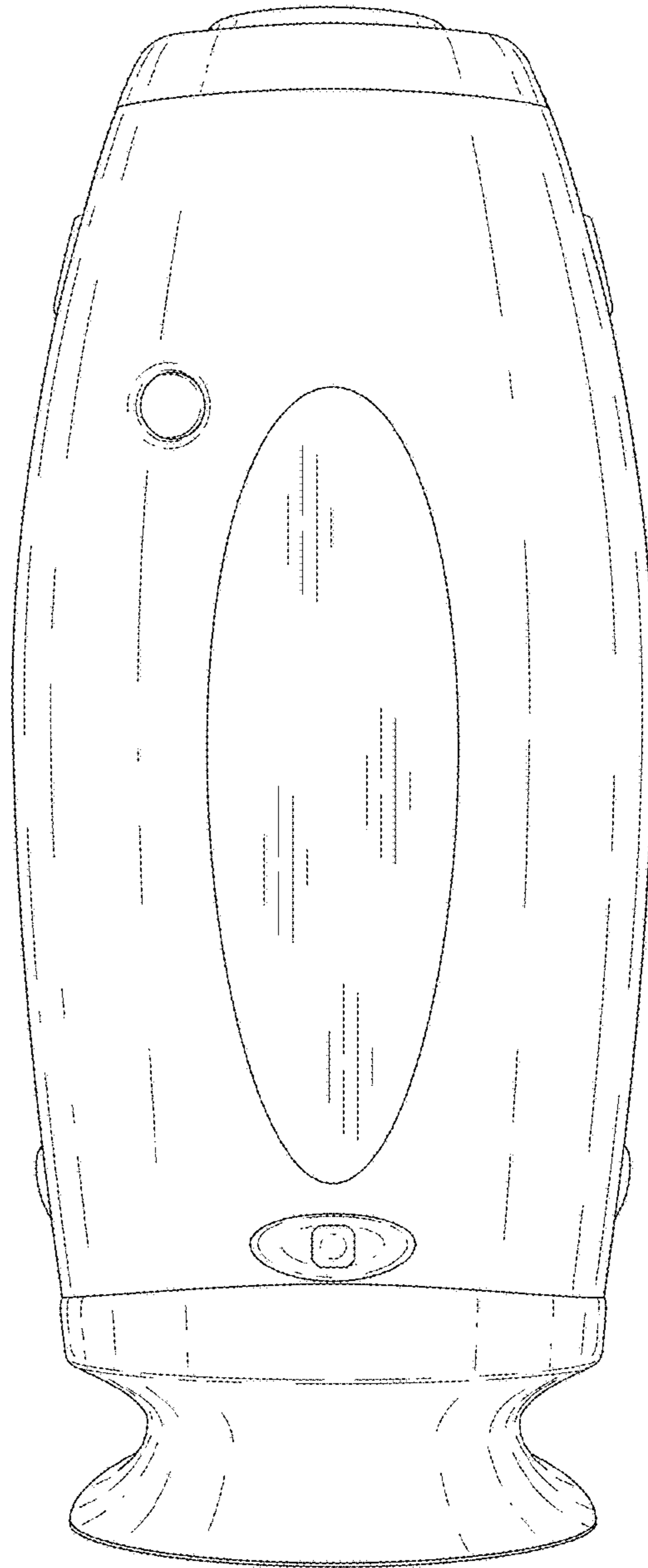


Fig. 5

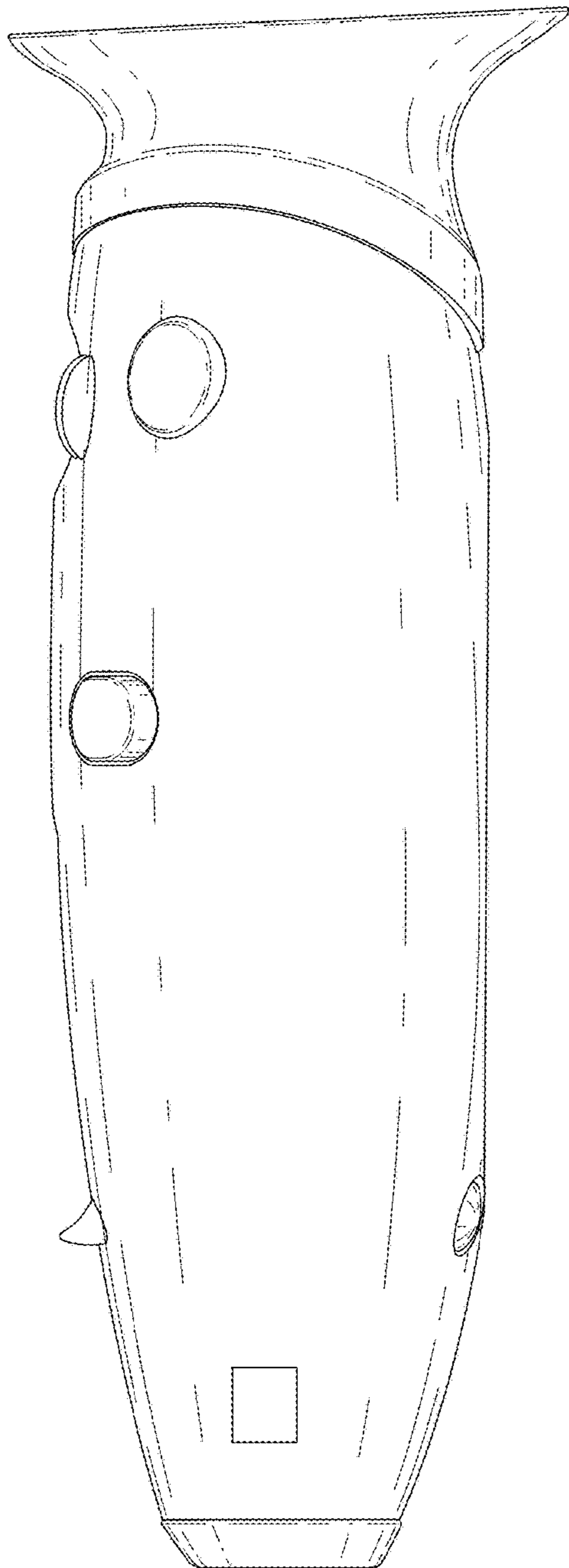


Fig. 6

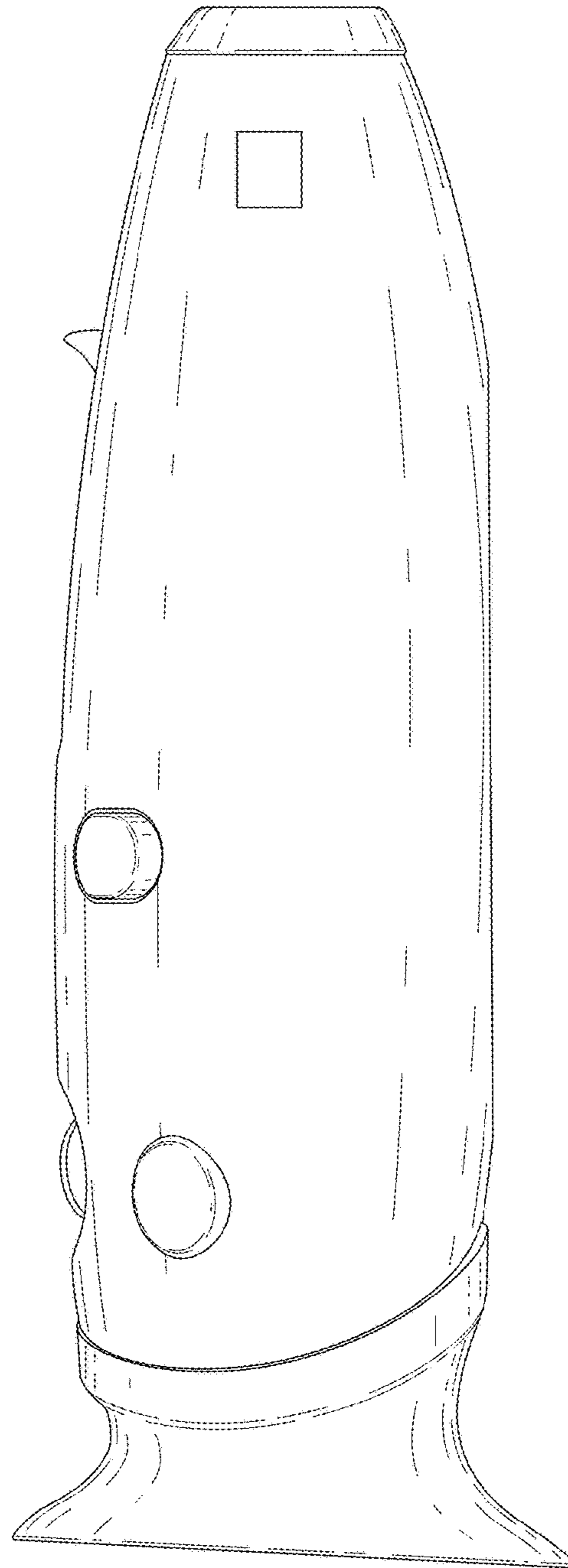


Fig. 7

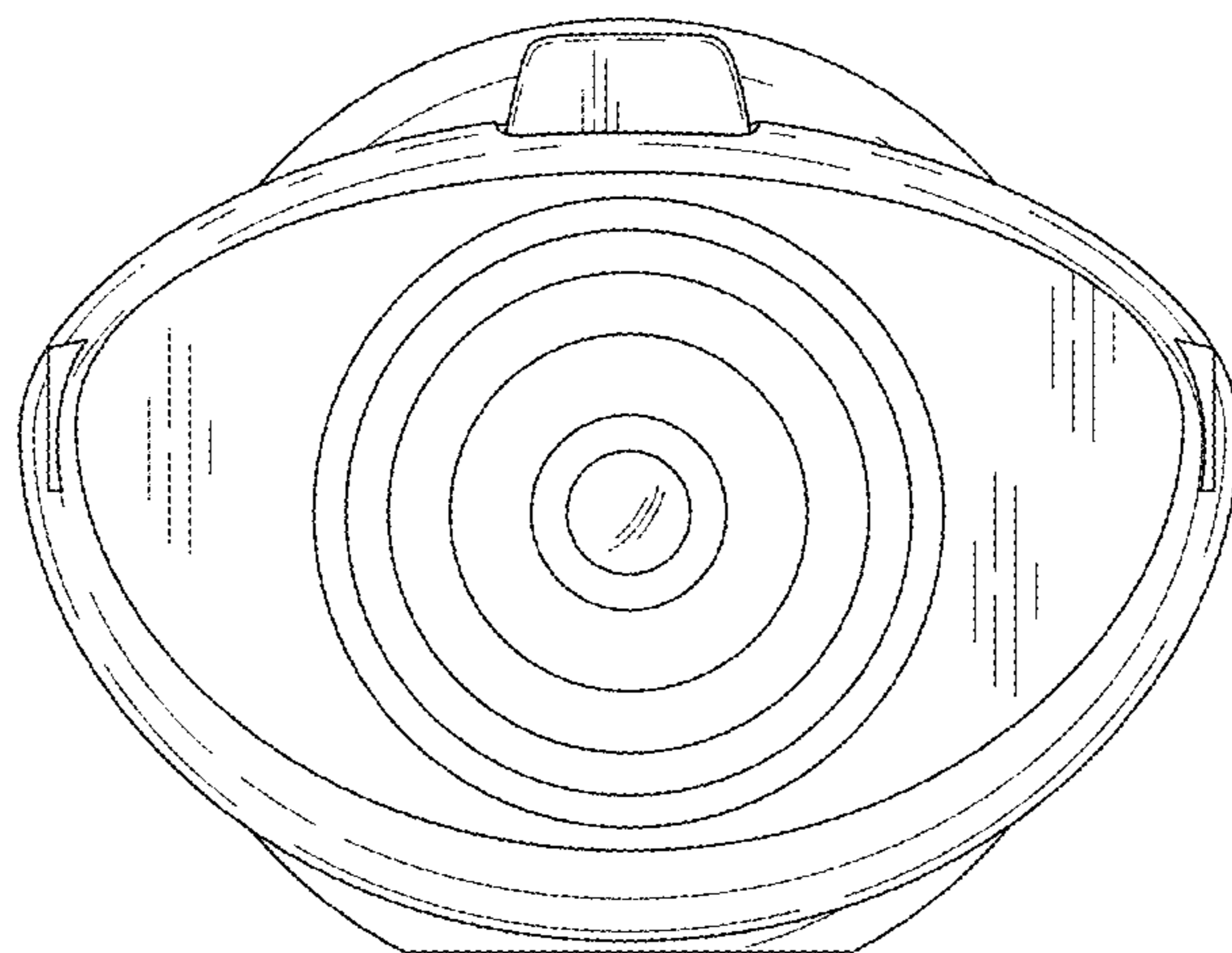


Fig. 8

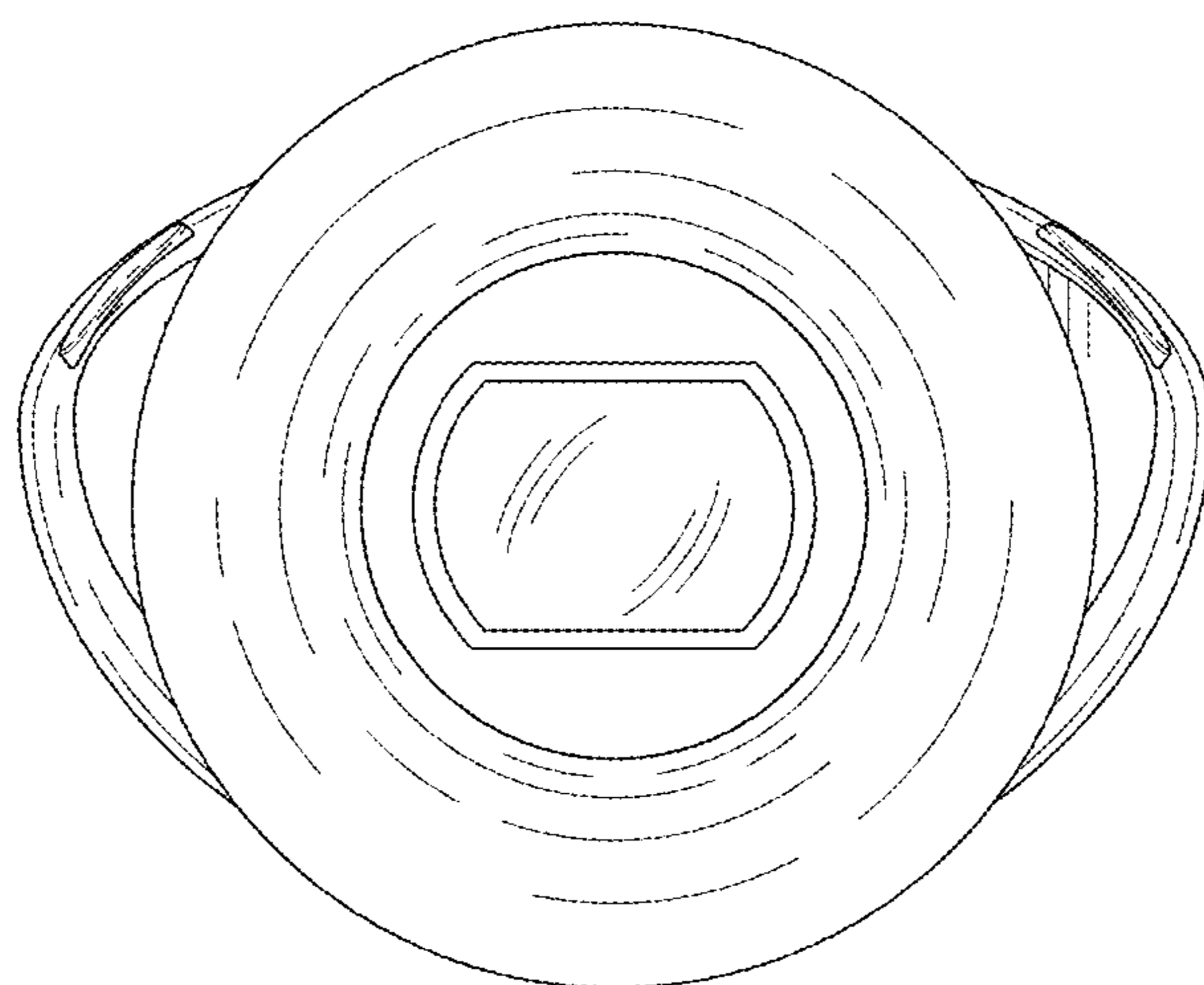


Fig. 9