



US00D847241S

(12) **United States Design Patent**  
**Kawaguchi et al.**

(10) **Patent No.:** **US D847,241 S**  
(45) **Date of Patent:** **\*\* Apr. 30, 2019**

(54) **JOINT DRIVING MEMBER FOR ROBOT**

(71) Applicant: **mitsubishi electric CORPORATION**, Tokyo (JP)

(72) Inventors: **Noboru Kawaguchi**, Tokyo (JP);  
**Hidetaka Yamauchi**, Tokyo (JP);  
**Tomoya Hattori**, Tokyo (JP); **Koji Hirose**, Tokyo (JP)

(73) Assignee: **Mitsubishi Electric Corporation**, Tokyo (JP)

(\*\*) Term: **15 Years**

(21) Appl. No.: **29/633,222**

(22) Filed: **Jan. 12, 2018**

(30) **Foreign Application Priority Data**

Jul. 18, 2017 (JP) ..... 2017-015408

(51) **LOC (11) Cl.** ..... **15-99**

(52) **U.S. Cl.**  
USPC ..... **D15/199**

(58) **Field of Classification Search**  
USPC ..... D15/199; D21/369, 578-583, 621, 622  
CPC ..... B25J 9/102; B25J 9/104; B25J 17/0241;  
Y10T 74/20317; Y10T 74/20323  
See application file for complete search history.

(56) **References Cited**

**U.S. PATENT DOCUMENTS**

- 5,002,242 A \* 3/1991 Nagai ..... B25J 17/0241  
248/49
- 5,099,707 A \* 3/1992 Tori ..... B25J 9/02  
384/296
- 5,107,716 A \* 4/1992 Torii ..... B25J 9/02  
384/296
- 5,119,753 A \* 6/1992 Milad ..... B23Q 1/5406  
114/338
- 5,342,254 A \* 8/1994 Sula ..... B25J 9/102  
475/223

- 5,593,293 A \* 1/1997 Machino ..... B25J 9/0009  
414/729
- 5,740,699 A \* 4/1998 Ballantyne ..... B25J 17/0266  
403/120
- 5,893,296 A \* 4/1999 Rosheim ..... G05G 5/03  
74/490.03
- 6,151,981 A \* 11/2000 Costa ..... B25J 9/023  
74/490.03
- 6,220,813 B1 \* 4/2001 Launiere ..... B23Q 1/50  
198/468.6

(Continued)

*Primary Examiner* — Patricia A Palasik

(74) *Attorney, Agent, or Firm* — Stuebaker & Brackett  
PC

(57) **CLAIM**

The ornamental design for a joint driving member for robot, as shown and described.

**DESCRIPTION**

FIG. 1 is a front perspective view of the front, left, and top sides of a joint driving member for robot showing our new design;

FIG. 2 is a rear perspective view of the rear, right, and bottom sides thereof;

FIG. 3 is a front view thereof;

FIG. 4 is a rear view thereof;

FIG. 5 is a left side view thereof;

FIG. 6 is a right side view thereof;

FIG. 7 is a top plan view thereof;

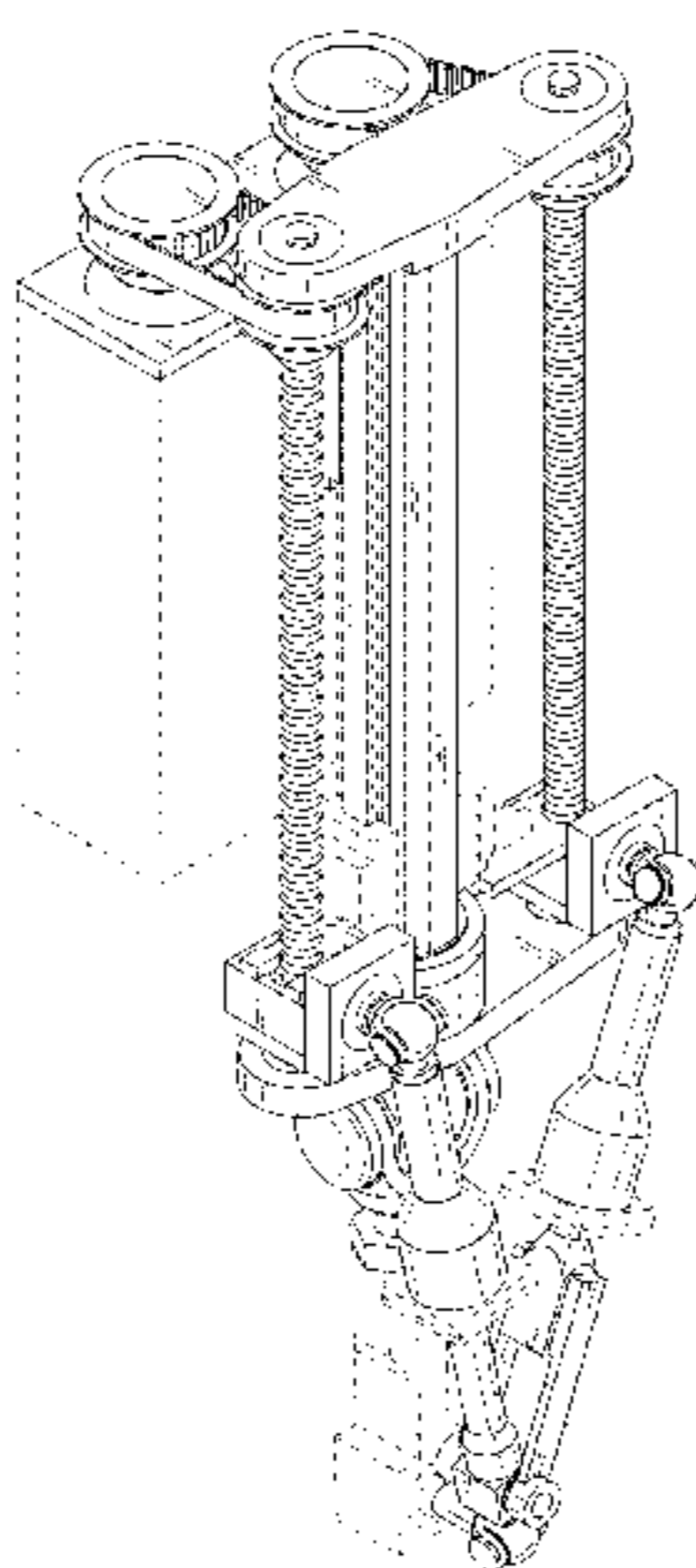
FIG. 8 is a bottom plan view thereof; and,

FIG. 9 is a right side view showing a state where a hinge angle is changed.

The broken lines shown represent unclaimed subject matter of the joint driving member for robot or environments and form no part of the claimed design.

The dash-dot lines represent the boundary between the claimed design and unclaimed design and form no part of the claimed design.

**1 Claim, 7 Drawing Sheets**



# US D847,241 S

(56)

## References Cited

### U.S. PATENT DOCUMENTS

6,240,799	B1 *	6/2001	Yau	.....	B23Q 1/5462	74/479.01	2012/0048047	A1 *	3/2012	Zhang	.....	B25J 9/046
7,013,750	B1 *	3/2006	Kazami	.....	B25J 9/08	74/490.03	2012/0067150	A1 *	3/2012	Zhang	.....	B25J 9/102
9,512,912	B1 *	12/2016	Edsinger	.....	F16H 48/12		2012/0204670	A1 *	8/2012	Ryland	.....	B08B 9/045
9,568,074	B2 *	2/2017	Gosselin	.....	B25J 9/102		2012/0271207	A1 *	10/2012	Schoen	.....	A61F 5/0102
9,849,925	B2 *	12/2017	Outa	.....	B62D 53/02		2012/0291582	A1 *	11/2012	Kang	.....	B25J 19/0016
10,040,206	B2 *	1/2018	Jeong et al.				2013/0104676	A1 *	5/2013	Yang	.....	B25J 9/06
D810,801	S *	2/2018	Hsu et al.				2013/0282174	A1 *	10/2013	Xi	.....	B25J 9/1682
10,144,464	B1 *	12/2018	Buerger et al.				2013/0296746	A1 *	11/2013	Herr	.....	A61H 3/00
2002/0078778	A1 *	6/2002	Grover	.....	B25J 9/042	74/490.03	2014/0007730	A1 *	1/2014	DeLouis	.....	B25J 15/0009
2005/0275367	A1 *	12/2005	Buehler	.....	B25J 9/102	318/568.12	2014/0123800	A1 *	5/2014	Choi	.....	F16H 48/10
2007/0062321	A1 *	3/2007	Chablat	.....	B23Q 1/5462	74/479.01	2014/0213409	A1 *	7/2014	Yoon	.....	F16H 1/203
2009/0308188	A1 *	12/2009	Yang	.....	B25J 9/104	74/89.27	2015/0114163	A1 *	4/2015	Rosheim	.....	B25J 9/0045
2010/0122602	A1 *	5/2010	Marcroft	.....	B25J 17/0216	74/490.03	2015/0122071	A1 *	5/2015	Lee	.....	B25J 9/06
2010/0162846	A1 *	7/2010	Lee	.....	B25J 9/1045	74/490.04	2015/0190246	A1 *	7/2015	Ryu	.....	G06F 3/011
2010/0170357	A1 *	7/2010	Kim	.....	B25J 9/102	74/89.32	2015/0272811	A1 *	10/2015	Choi	.....	B25J 17/00
2011/0048158	A1 *	3/2011	Maisonnier	.....	B25J 17/0275	74/490.03	2016/0038313	A1 *	2/2016	Kim	.....	B25J 9/102
2011/0056321	A1 *	3/2011	Sim	.....	B25J 9/1025	74/490.04	2016/0114479	A1 *	4/2016	Rosheim	.....	B25J 9/0075
2011/0067518	A1 *	3/2011	Park	.....	B25J 9/102	74/490.04	2016/0288319	A1 *	10/2016	Kfoury	.....	B25J 9/104
2011/0113914	A1 *	5/2011	Zhang	.....	B25J 9/107	74/490.01	2017/0120453	A1 *	5/2017	Roy	.....	B25J 5/04
2011/0126651	A1 *	6/2011	Pan	.....	B25J 9/102	74/89.2	2017/0297197	A1 *	10/2017	King	.....	B25J 9/126
2011/0137423	A1 *	6/2011	Ouyang	.....	B25J 9/102	623/18.11	2017/0319421	A1 *	11/2017	Julin	.....	A61H 3/00
2011/0214524	A1 *	9/2011	Jacobsen	.....	A61F 2/68	74/490.04	2017/0348852	A1 *	12/2017	Sarh	.....	B25J 9/106
2011/0314949	A1 *	12/2011	Long	.....	B25J 19/0029	74/490.04	2018/0009116	A1 *	1/2018	Jeong et al.		
2012/0011956	A1 *	1/2012	Lundberg	.....	B25J 9/04	74/490.03	2018/0079084	A1 *	3/2018	Woo et al.		
							2018/0133894	A1 *	5/2018	Choi et al.		
							2018/0140441	A1 *	5/2018	Poirters		
							2018/0193172	A1 *	7/2018	Smith et al.		
							2018/0236655	A1 *	8/2018	Nakanishi		

\* cited by examiner

Fig. 1

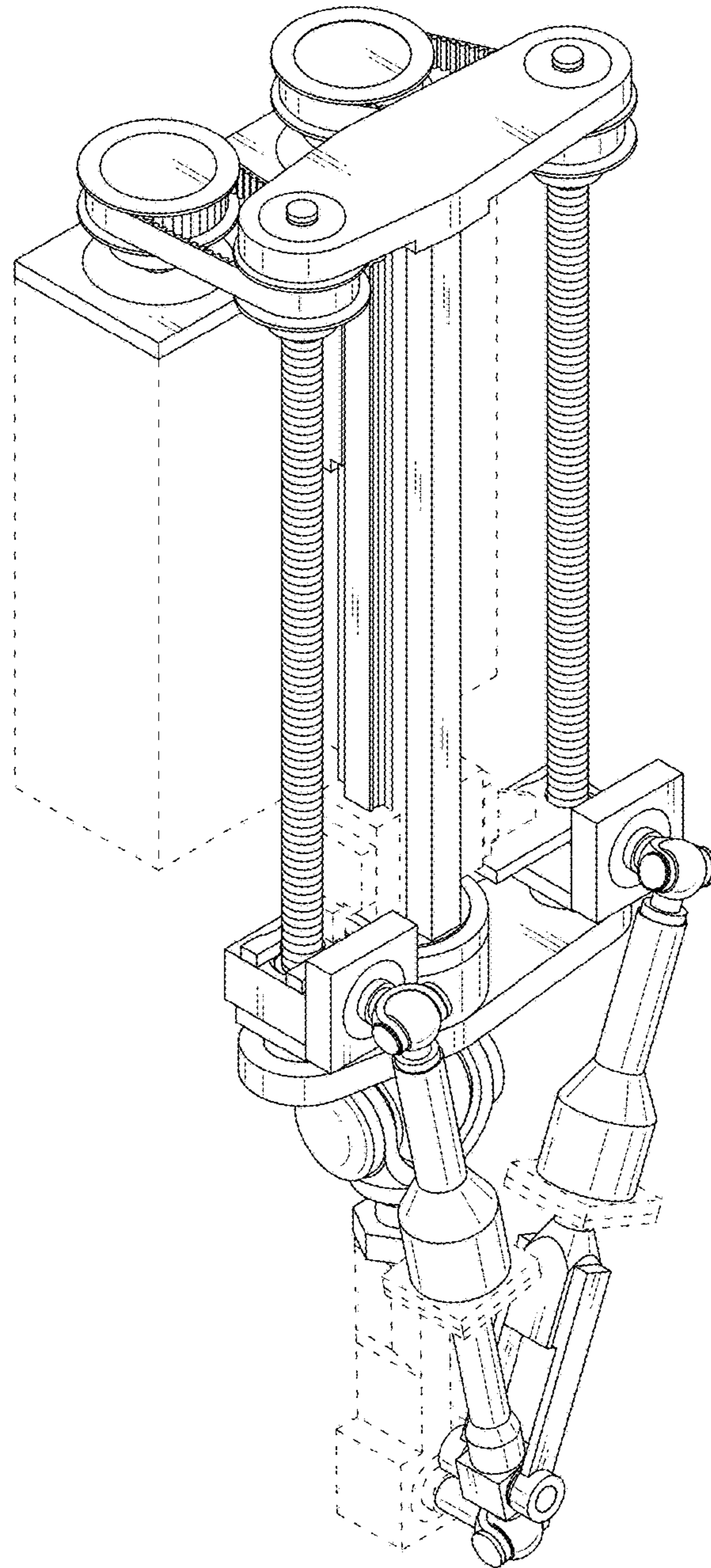


Fig. 2

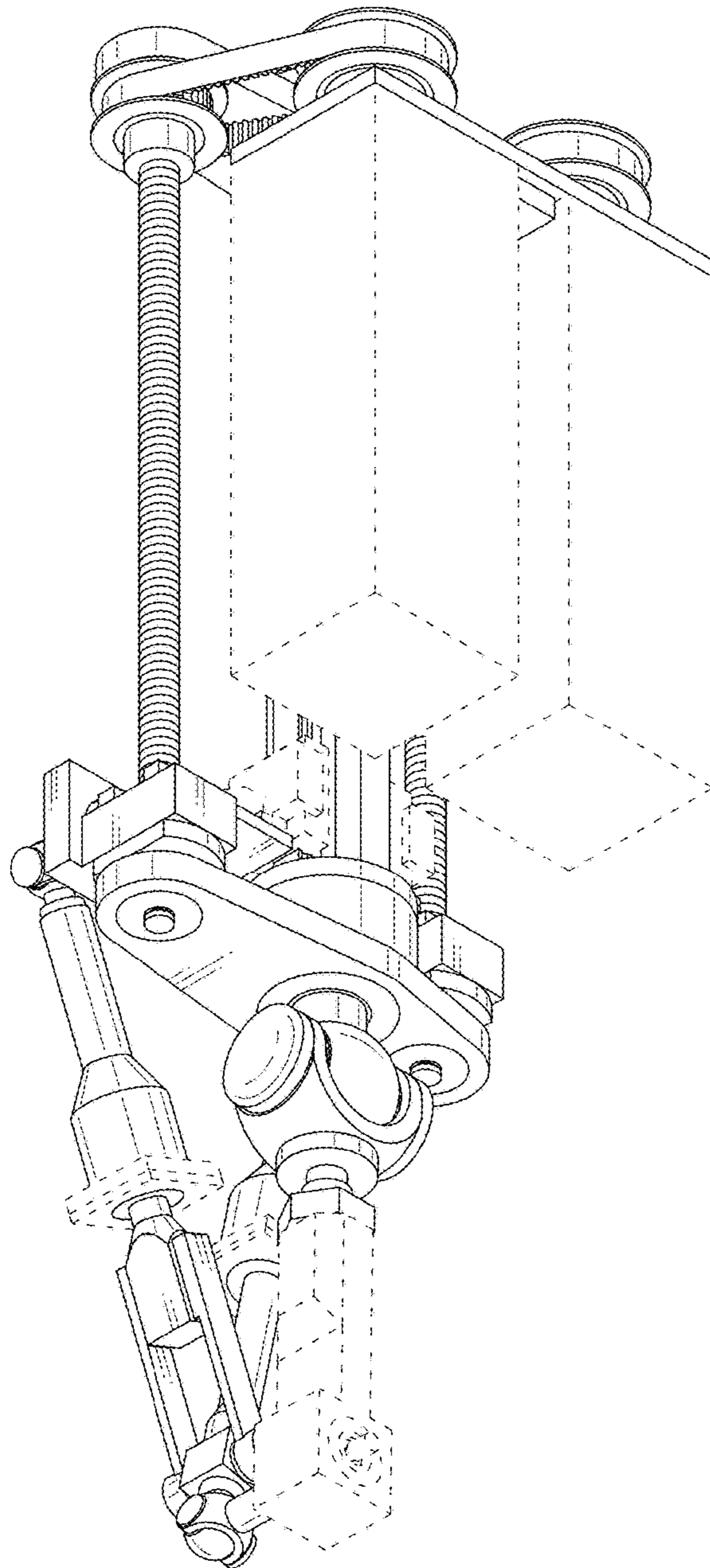


Fig. 3

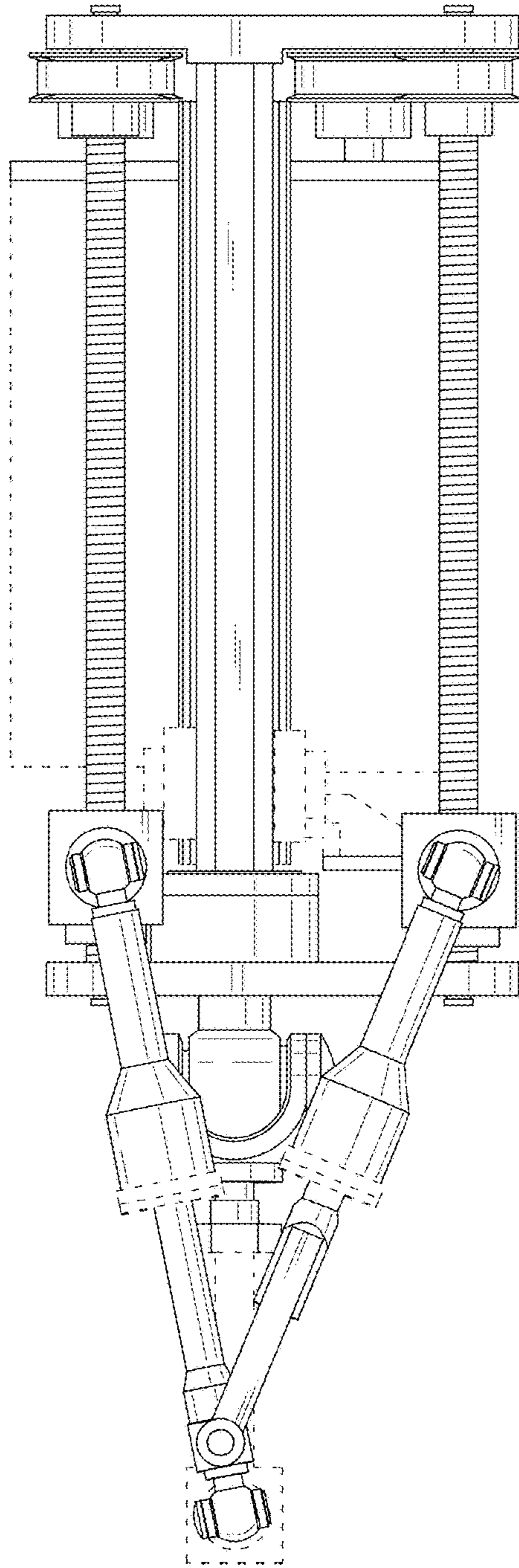


Fig. 4

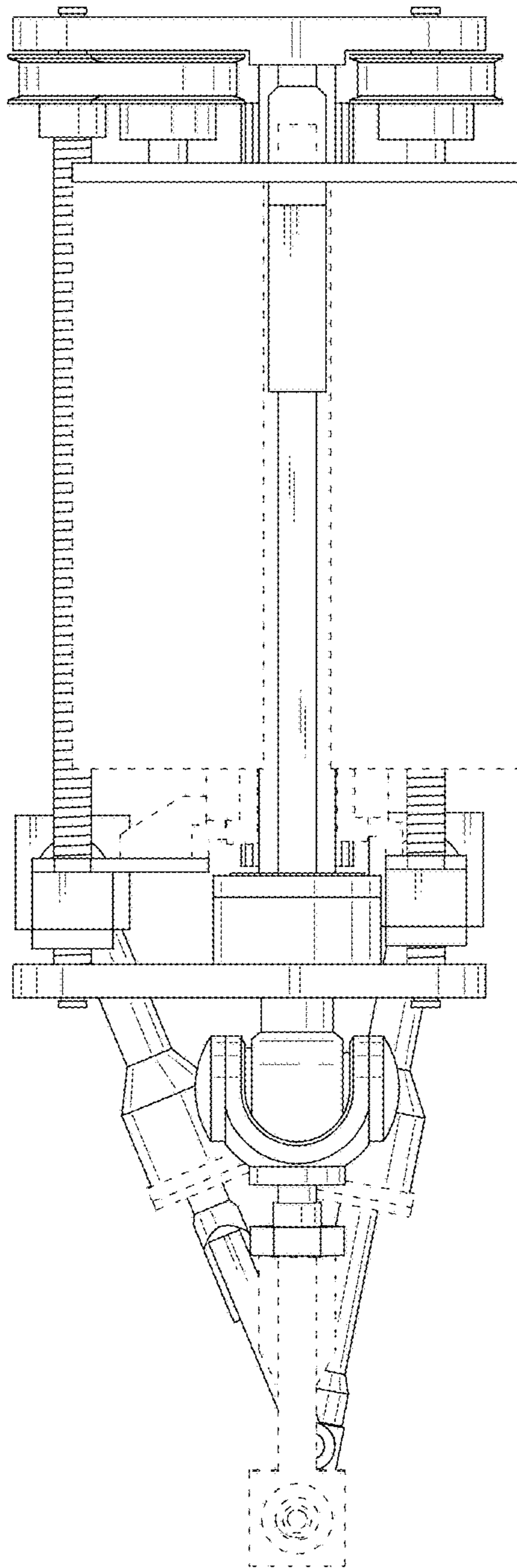


Fig. 5

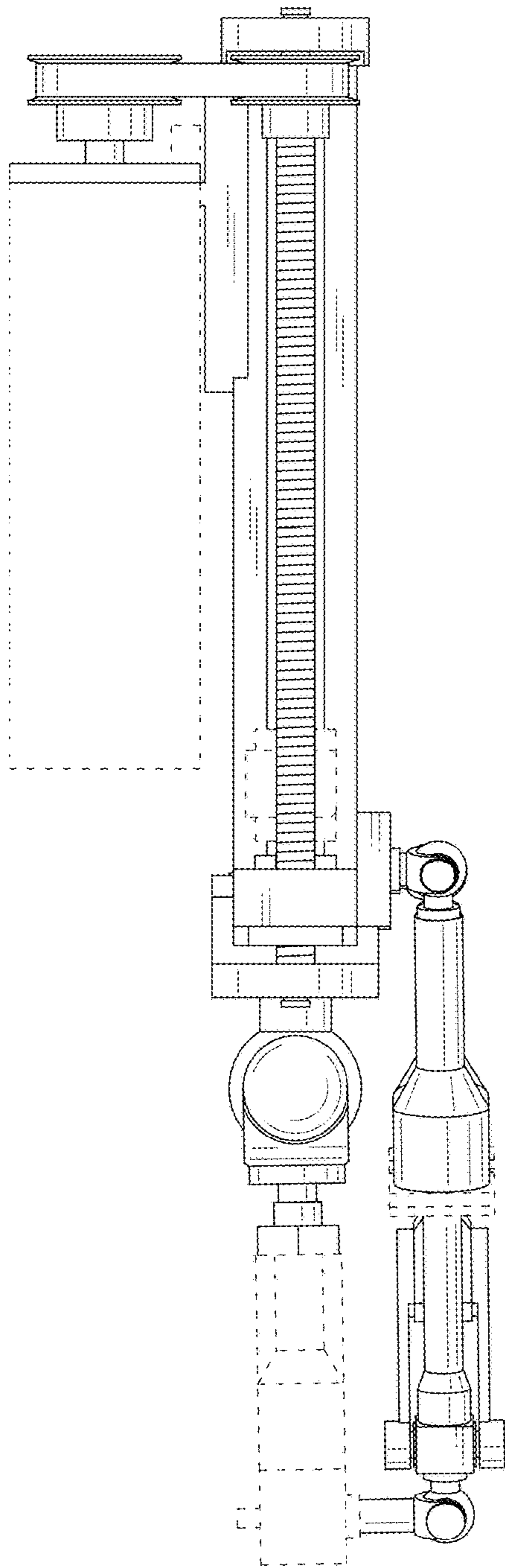


Fig. 6

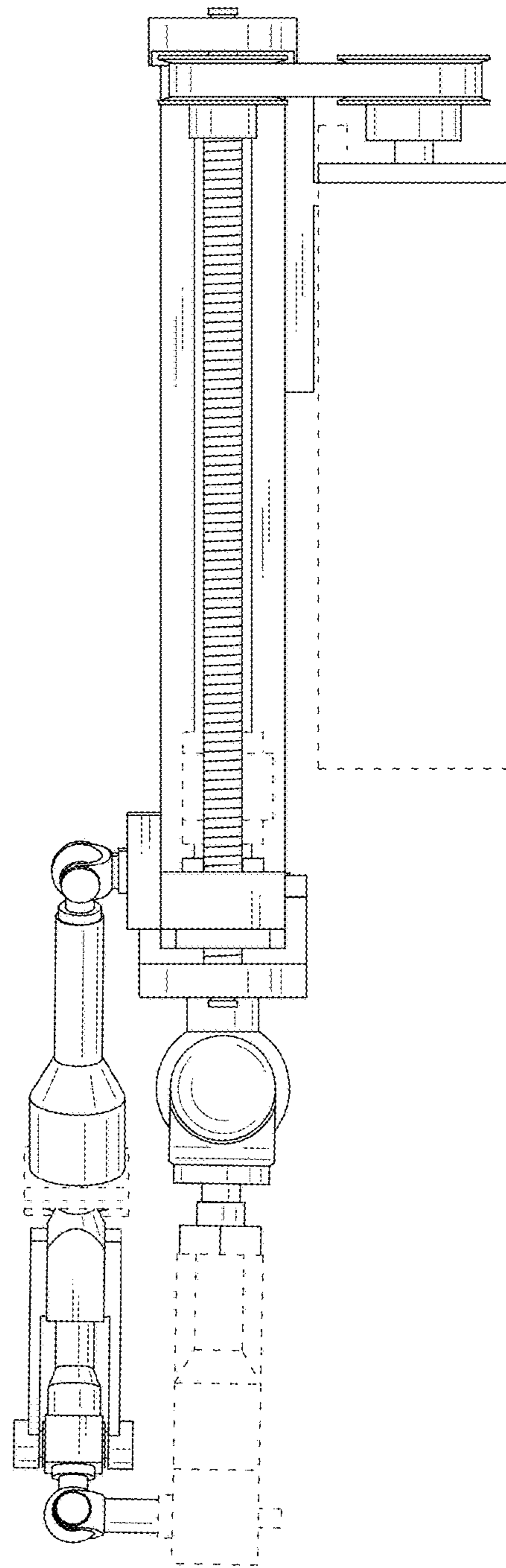


Fig. 7

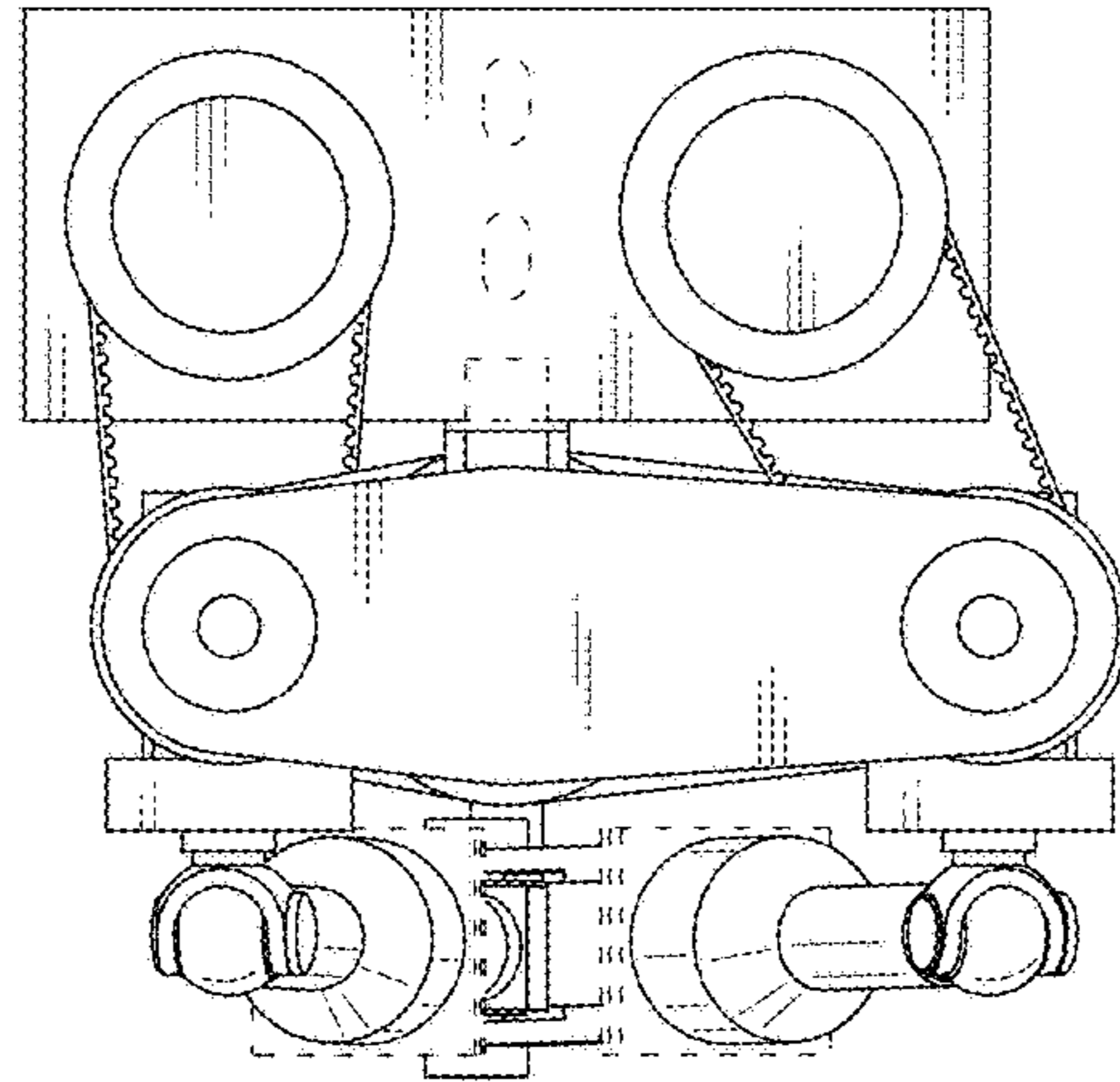


Fig. 8

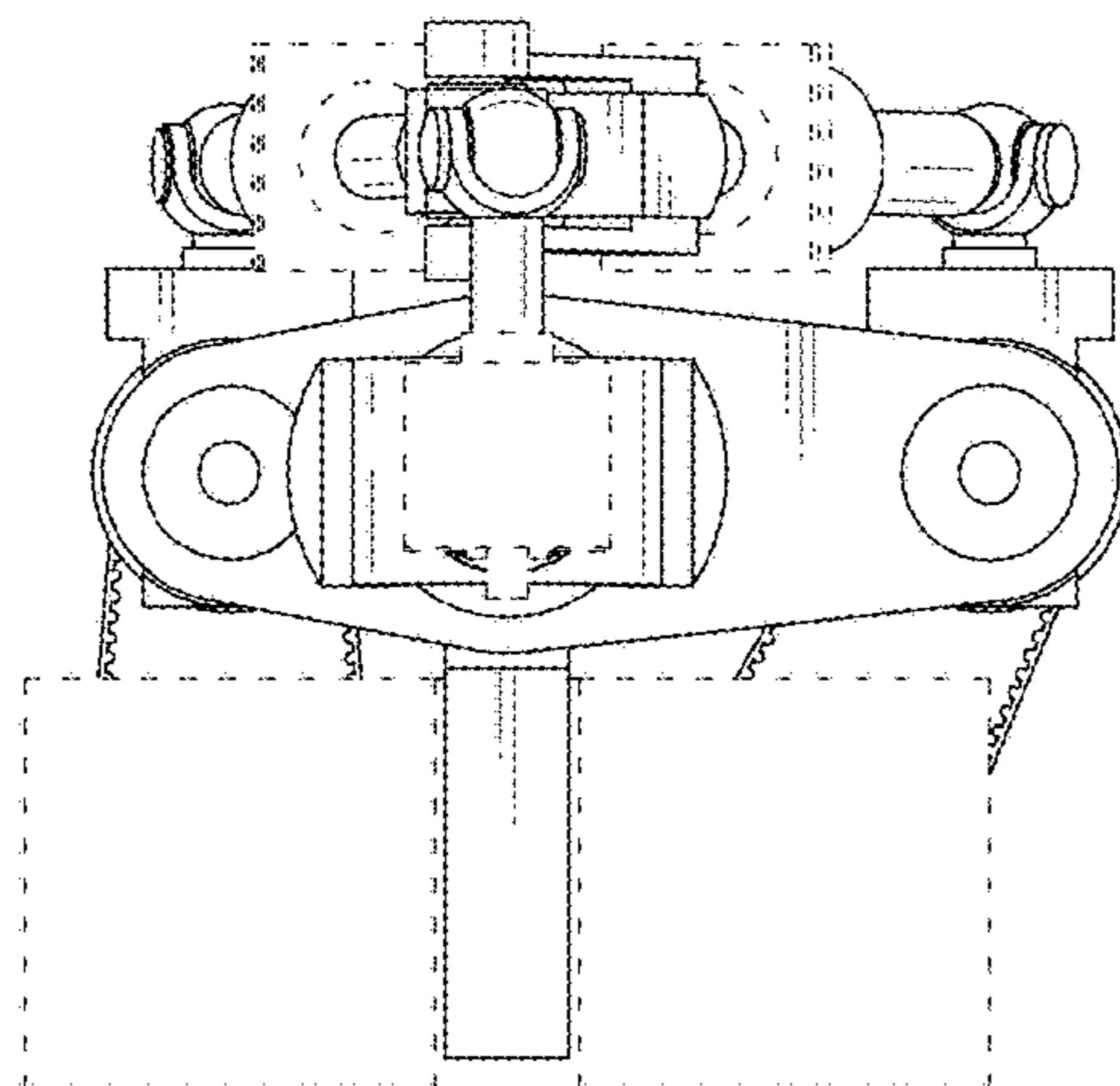




Fig. 9

