



US00D847240S

(12) **United States Design Patent**
Kawaguchi et al.

(10) **Patent No.:** **US D847,240 S**
(45) **Date of Patent:** **** Apr. 30, 2019**

(54) **JOINT DRIVING MEMBER FOR ROBOT**

(71) Applicant: **MITSUBISHI ELECTRIC CORPORATION**, Tokyo (JP)

(72) Inventors: **Noboru Kawaguchi**, Tokyo (JP);
Hidetaka Yamauchi, Tokyo (JP);
Tomoya Hattori, Tokyo (JP); **Koji Hirose**, Tokyo (JP)

(73) Assignee: **Mitsubishi Electric Corporation**, Tokyo (JP)

(**) Term: **15 Years**

(21) Appl. No.: **29/633,218**

(22) Filed: **Jan. 12, 2018**

(30) **Foreign Application Priority Data**

Jul. 18, 2017 (JP) 2017-015407

(51) **LOC (11) Cl.** **15-99**

(52) **U.S. Cl.**
USPC **D15/199**

(58) **Field of Classification Search**
USPC D15/199; D21/369, 578-583, 621, 622
CPC B25J 9/102; B25J 9/104; B25J 17/0241;
Y10T 74/20317; Y10T 74/20323
See application file for complete search history.

(56) **References Cited**

U.S. PATENT DOCUMENTS

- 5,002,242 A * 3/1991 Nagai B25J 17/0241
248/49
- 5,099,707 A * 3/1992 Tori B25J 9/02
384/296
- 5,107,716 A * 4/1992 Torii B25J 9/02
384/296
- 5,119,753 A * 6/1992 Milad B23Q 1/5406
114/338
- 5,342,254 A * 8/1994 Sula B25J 9/102
475/223

- 5,593,293 A * 1/1997 Machino B25J 9/0009
414/729
- 5,740,699 A * 4/1998 Ballantyne B25J 17/0266
403/120
- 5,893,296 A * 4/1999 Rosheim G05G 5/03
74/490.03
- 6,151,981 A * 11/2000 Costa B25J 9/023
74/490.03
- 6,220,813 B1 * 4/2001 Launiere B23Q 1/50
198/468.6

(Continued)

Primary Examiner — Patricia A Palasik

(74) *Attorney, Agent, or Firm* — Stuebaker & Brackett
PC

(57) **CLAIM**

The ornamental design for a joint driving member for robot, as shown and described.

DESCRIPTION

FIG. 1 is a front perspective view of the front, left, and bottom sides of a joint driving member for robot showing our new design;

FIG. 2 is a rear perspective view of the rear, right, and top sides thereof;

FIG. 3 is a front view thereof;

FIG. 4 is a rear view thereof;

FIG. 5 is a left side view thereof;

FIG. 6 is a right side view thereof;

FIG. 7 is a top plan view thereof;

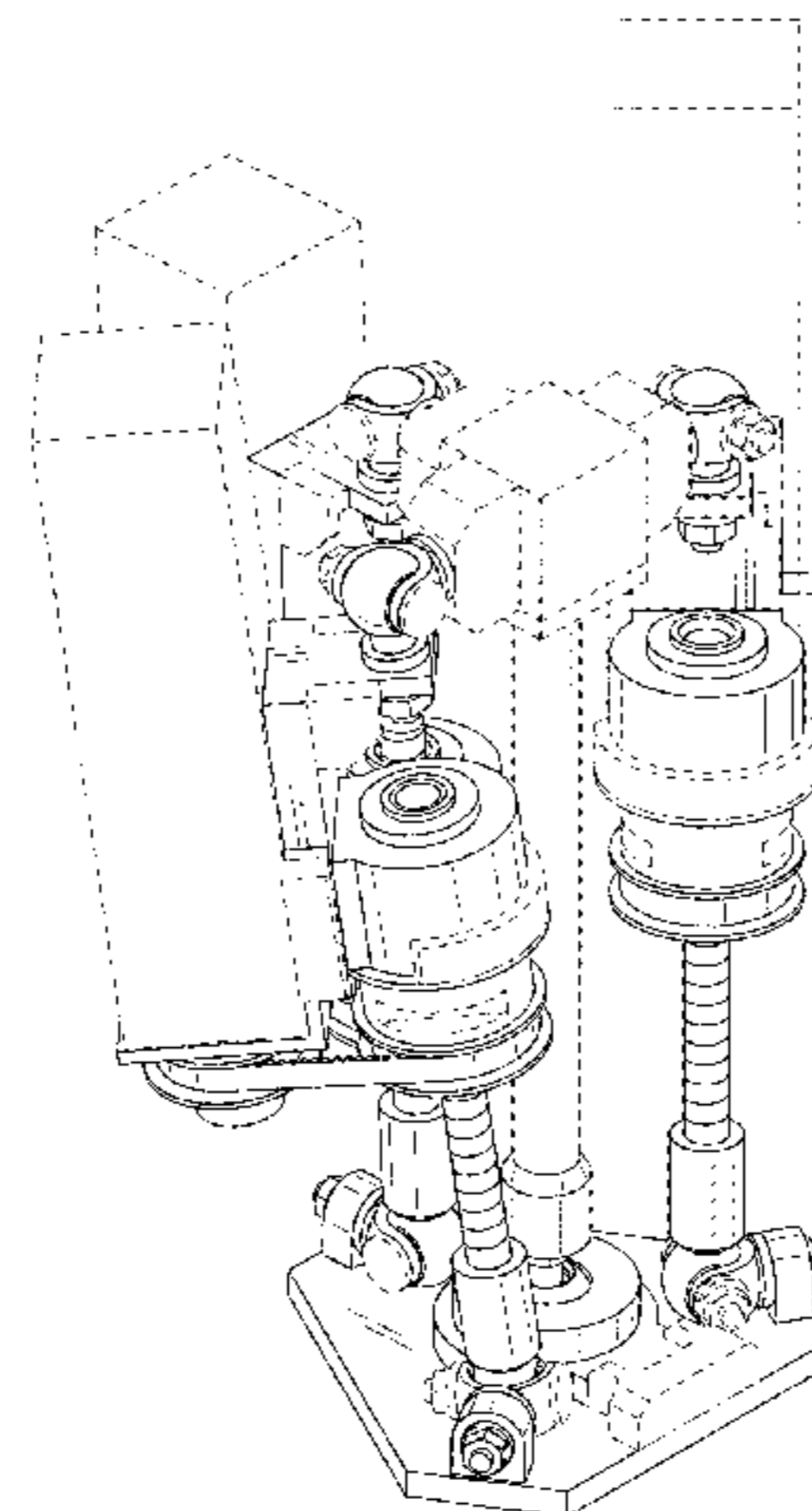
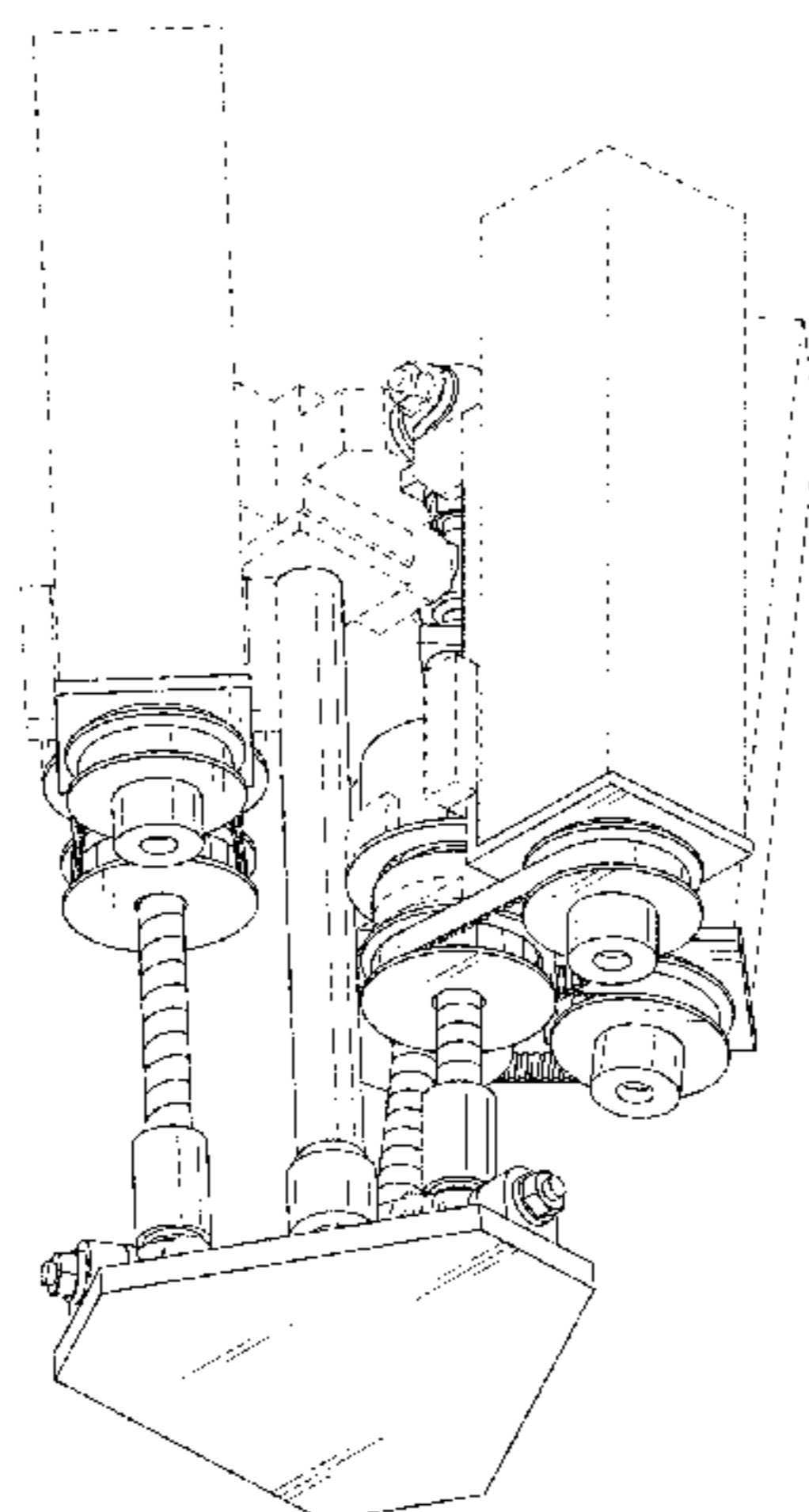
FIG. 8 is a bottom plan view thereof; and,

FIG. 9 is a front view showing a state where a hinge angle is changed.

The broken lines shown represent unclaimed subject matter of the joint driving member for robot or environments and form no part of the claimed design.

The dash-dot lines represent the boundary between the claimed design and unclaimed design and form no part of the claimed design.

1 Claim, 9 Drawing Sheets



(56)

References Cited

U.S. PATENT DOCUMENTS

6,240,799	B1 *	6/2001	Yau	B23Q 1/5462	74/479.01	2012/0048047	A1 *	3/2012	Zhang	B25J 9/046
7,013,750	B1 *	3/2006	Kazami	B25J 9/08	74/490.03	2012/0067150	A1 *	3/2012	Zhang	B25J 9/102
9,512,912	B1 *	12/2016	Edsinger	F16H 48/12	74/490.03	2012/0204670	A1 *	8/2012	Ryland	B08B 9/045
9,568,074	B2 *	2/2017	Gosselin	B25J 9/102	74/490.03	2012/0271207	A1 *	10/2012	Schoen	A61F 5/0102
9,849,925	B2 *	12/2017	Outa	B62D 53/02	74/490.03	2012/0291582	A1 *	11/2012	Kang	B25J 19/0016
10,040,206	B2 *	1/2018	Jeong et al.			74/490.03	2013/0104676	A1 *	5/2013	Yang	B25J 9/06
D810,801	S *	2/2018	Hsu et al.			73/865.8	2013/0282174	A1 *	10/2013	Xi	B25J 9/1682
10,144,464	B1 *	12/2018	Buerger et al.			700/248	2013/0296746	A1 *	11/2013	Herr	A61H 3/00
2002/0078778	A1 *	6/2002	Grover	B25J 9/042	601/34	2014/0007730	A1 *	1/2014	DeLouis	B25J 15/0009
2005/0275367	A1 *	12/2005	Buehler	B25J 9/102	74/490.03	2014/0123800	A1 *	5/2014	Choi	F16H 48/10
2007/0062321	A1 *	3/2007	Chablat	B23Q 1/5462	74/490.03	2014/0213409	A1 *	7/2014	Yoon	F16H 1/203
2009/0308188	A1 *	12/2009	Yang	B25J 9/104	74/89.27	2015/0114163	A1 *	4/2015	Rosheim	B25J 9/0045
2010/0122602	A1 *	5/2010	Marcroft	B25J 17/0216	74/490.03	2015/0122071	A1 *	5/2015	Lee	B25J 9/06
2010/0162846	A1 *	7/2010	Lee	B25J 9/1045	74/490.04	2015/0190246	A1 *	7/2015	Ryu	G06F 3/011
2010/0170357	A1 *	7/2010	Kim	B25J 9/102	74/89.32	2015/0272811	A1 *	10/2015	Choi	B25J 17/00
2011/0048158	A1 *	3/2011	Maisonnier	B25J 17/0275	74/490.03	2016/0038313	A1 *	2/2016	Kim	B25J 9/102
2011/0056321	A1 *	3/2011	Sim	B25J 9/1025	74/490.04	2016/0114479	A1 *	4/2016	Rosheim	B25J 9/0075
2011/0067518	A1 *	3/2011	Park	B25J 9/102	74/490.04	2016/0288319	A1 *	10/2016	Kfoury	B25J 9/104
2011/0113914	A1 *	5/2011	Zhang	B25J 9/107	74/490.01	2017/0120453	A1 *	5/2017	Roy	B25J 5/04
2011/0126651	A1 *	6/2011	Pan	B25J 9/102	74/89.2	2017/0297197	A1 *	10/2017	King	B25J 9/126
2011/0137423	A1 *	6/2011	Ouyang	B25J 9/102	623/18.11	2017/0319421	A1 *	11/2017	Julin	A61H 3/00
2011/0214524	A1 *	9/2011	Jacobsen	A61F 2/68	74/490.04	2017/0348852	A1 *	12/2017	Sarh	B25J 9/106
2011/0314949	A1 *	12/2011	Long	B25J 19/0029	74/490.04	2018/0009116	A1 *	1/2018	Jeong et al.		
2012/0011956	A1 *	1/2012	Lundberg	B25J 9/04	74/490.03	2018/0079084	A1 *	3/2018	Woo et al.		
							2018/0133894	A1 *	5/2018	Choi et al.		
							2018/0140441	A1 *	5/2018	Poirters		
							2018/0193172	A1 *	7/2018	Smith et al.		
							2018/0236655	A1 *	8/2018	Nakanishi		

* cited by examiner

Fig. 1

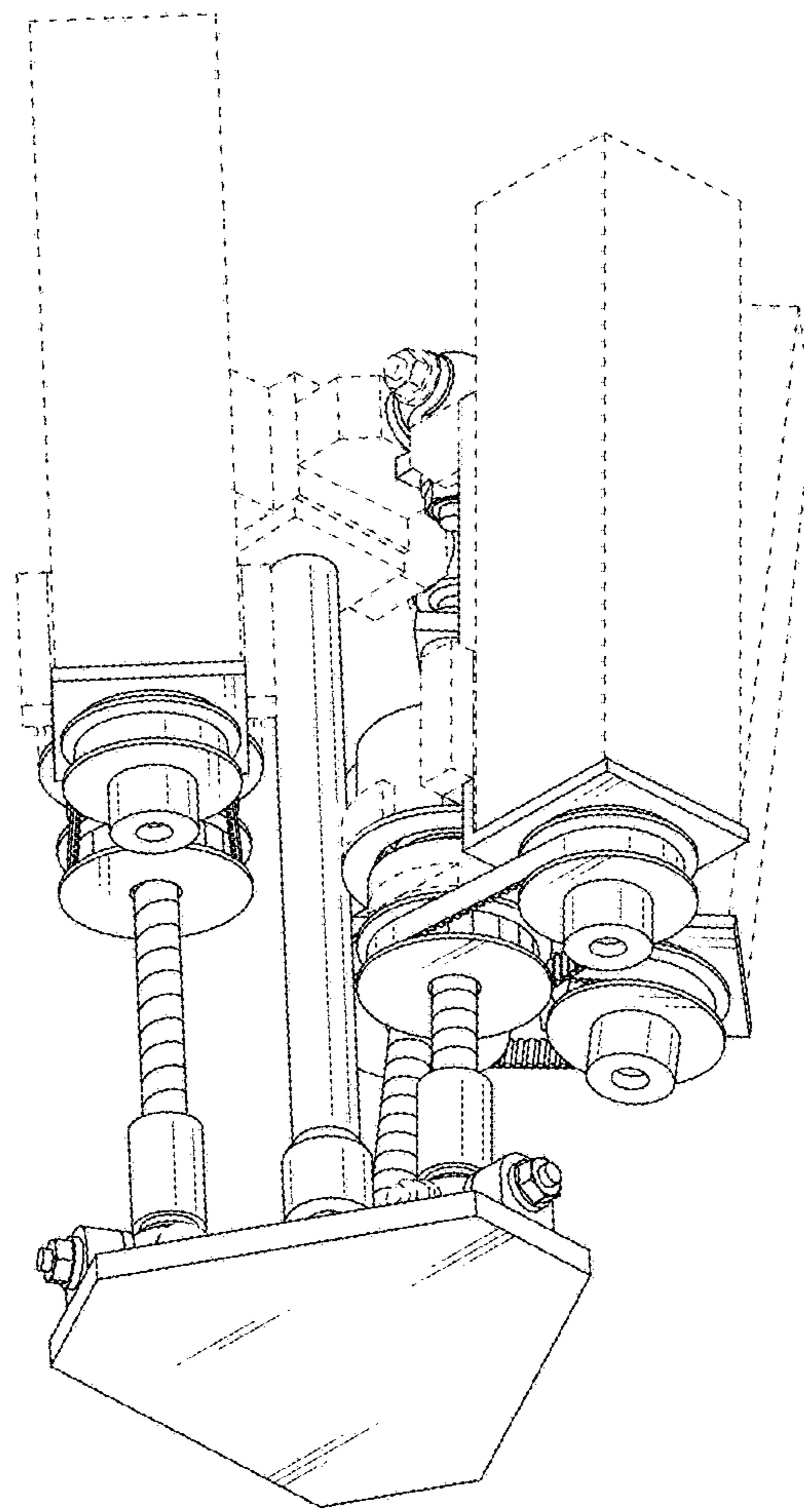


Fig. 2

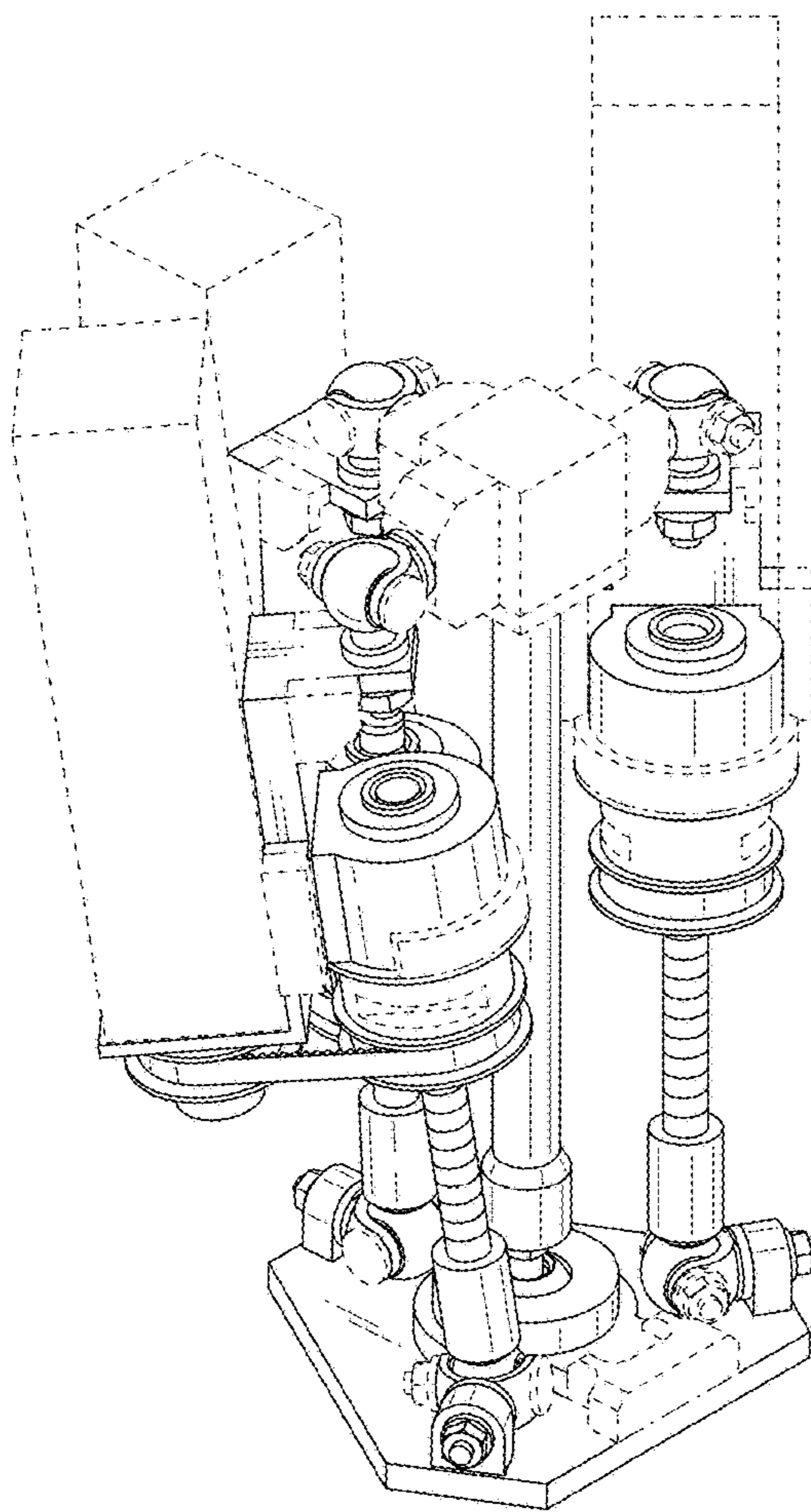


Fig. 3

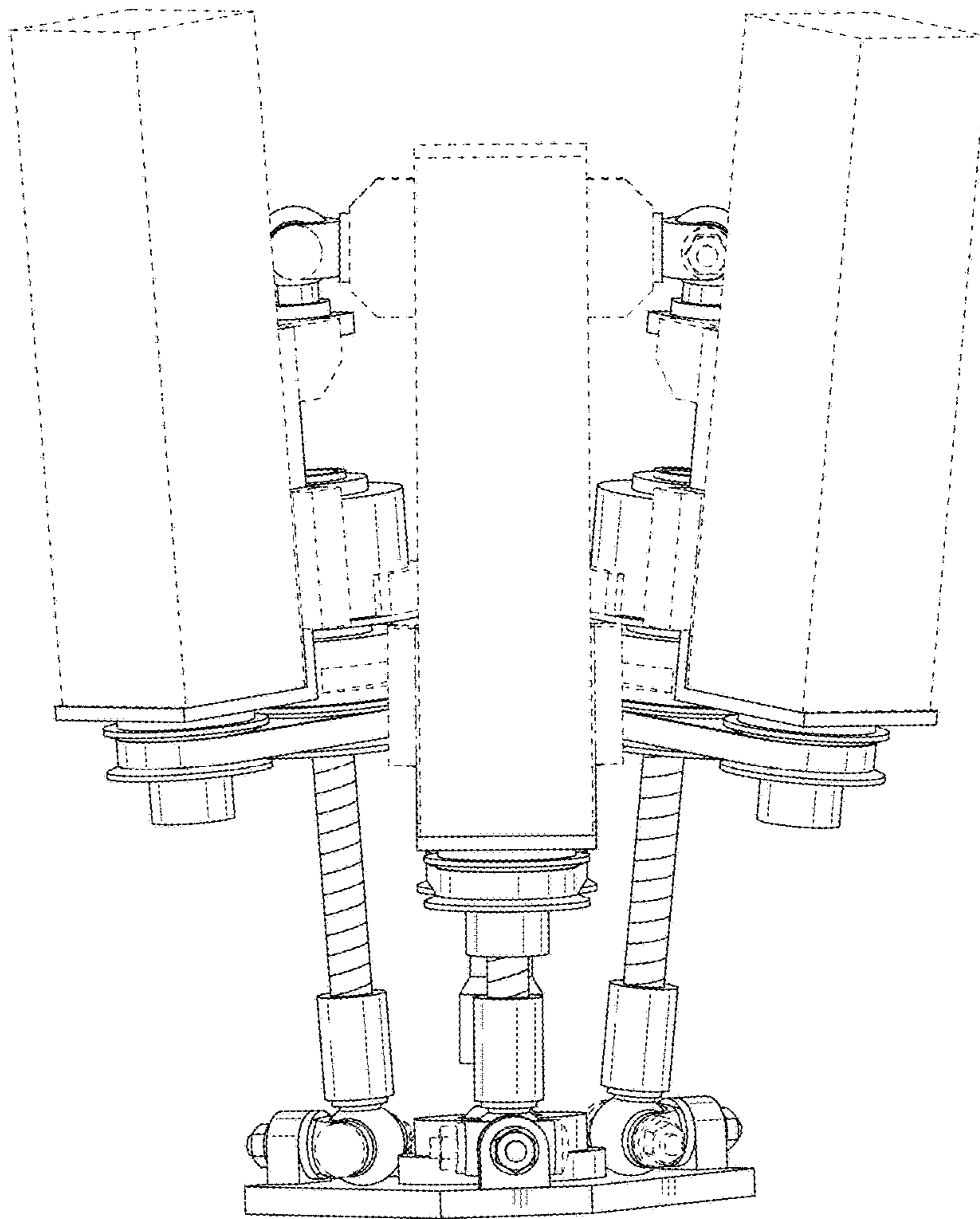


Fig. 4

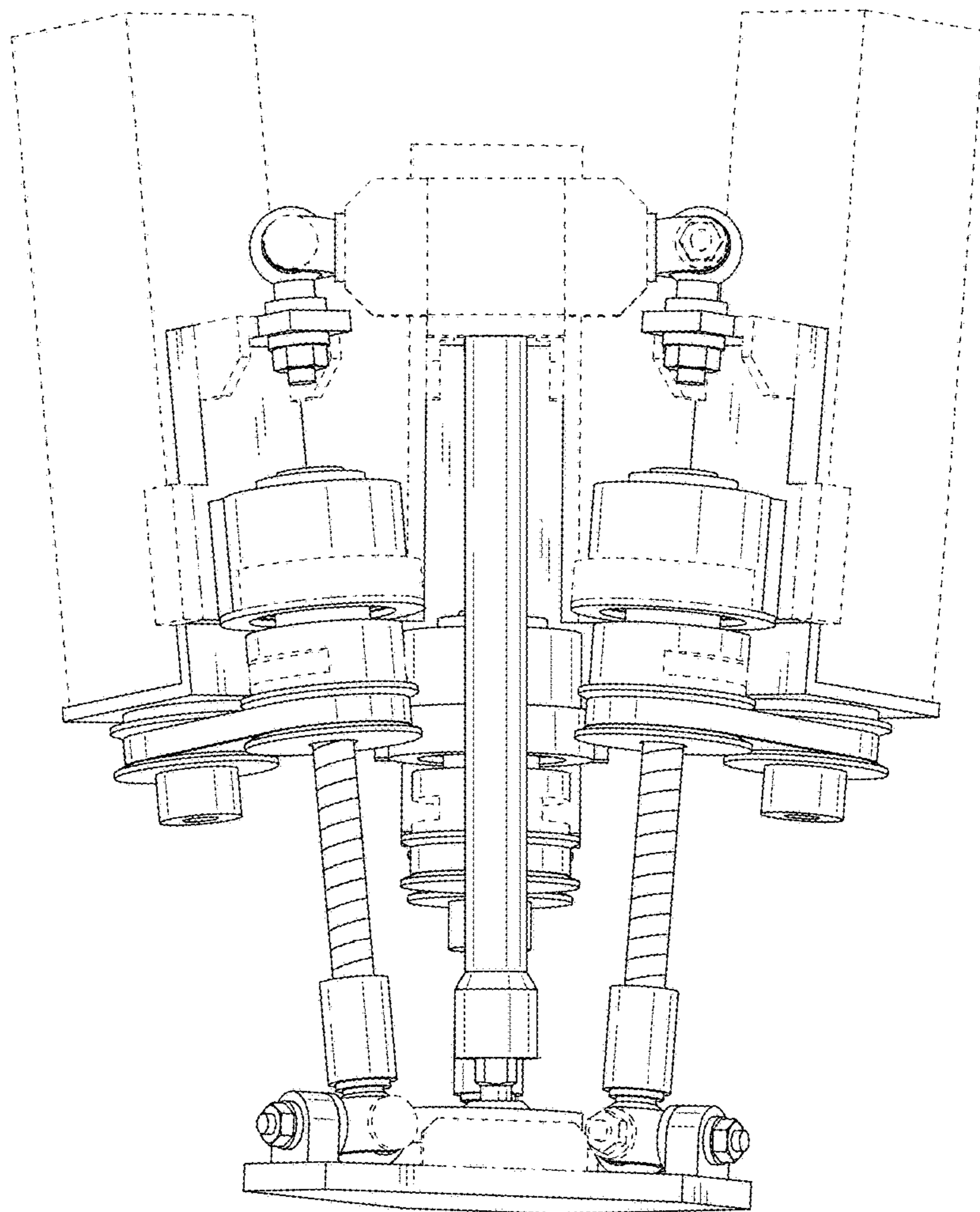


Fig. 5

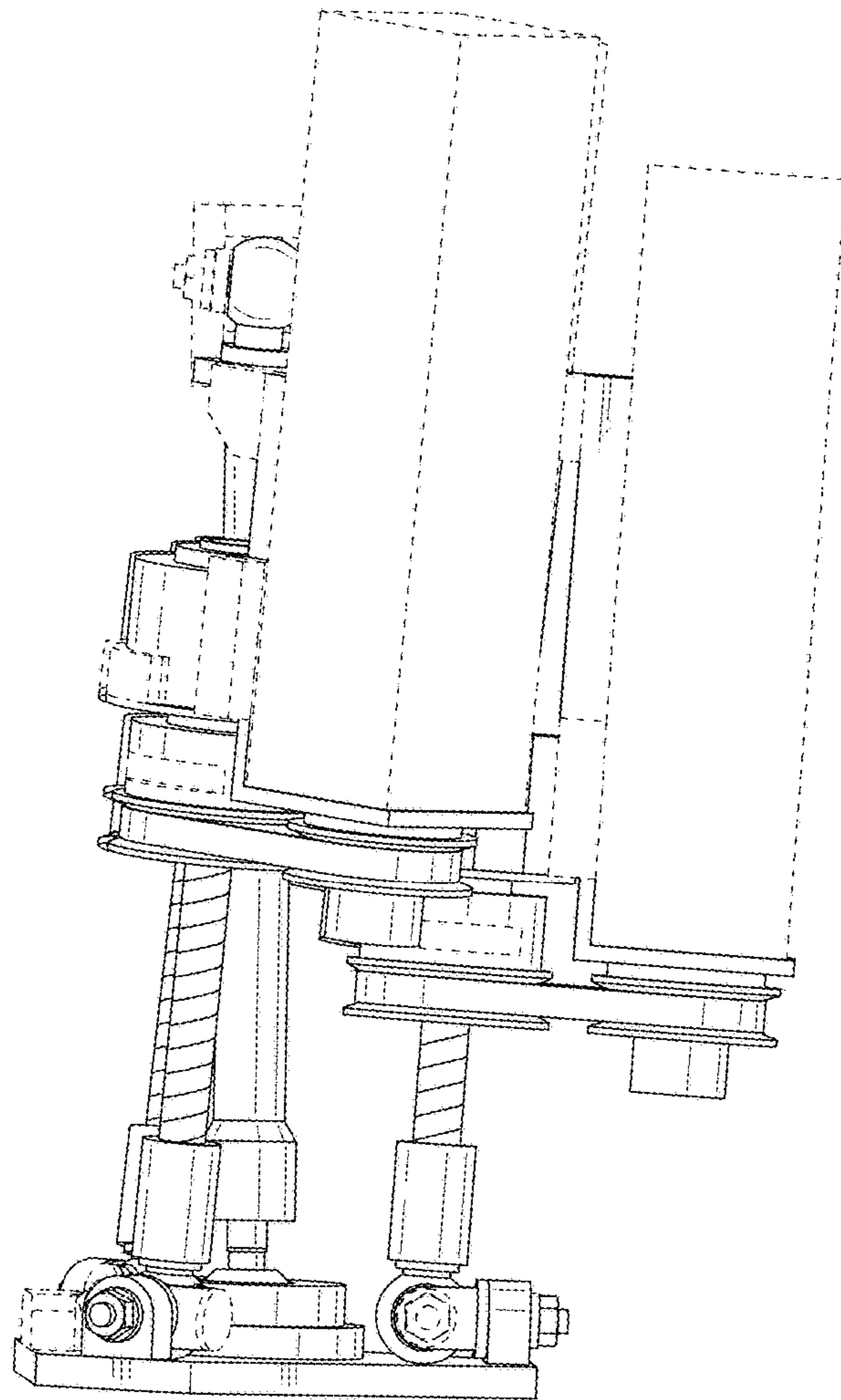


Fig. 6

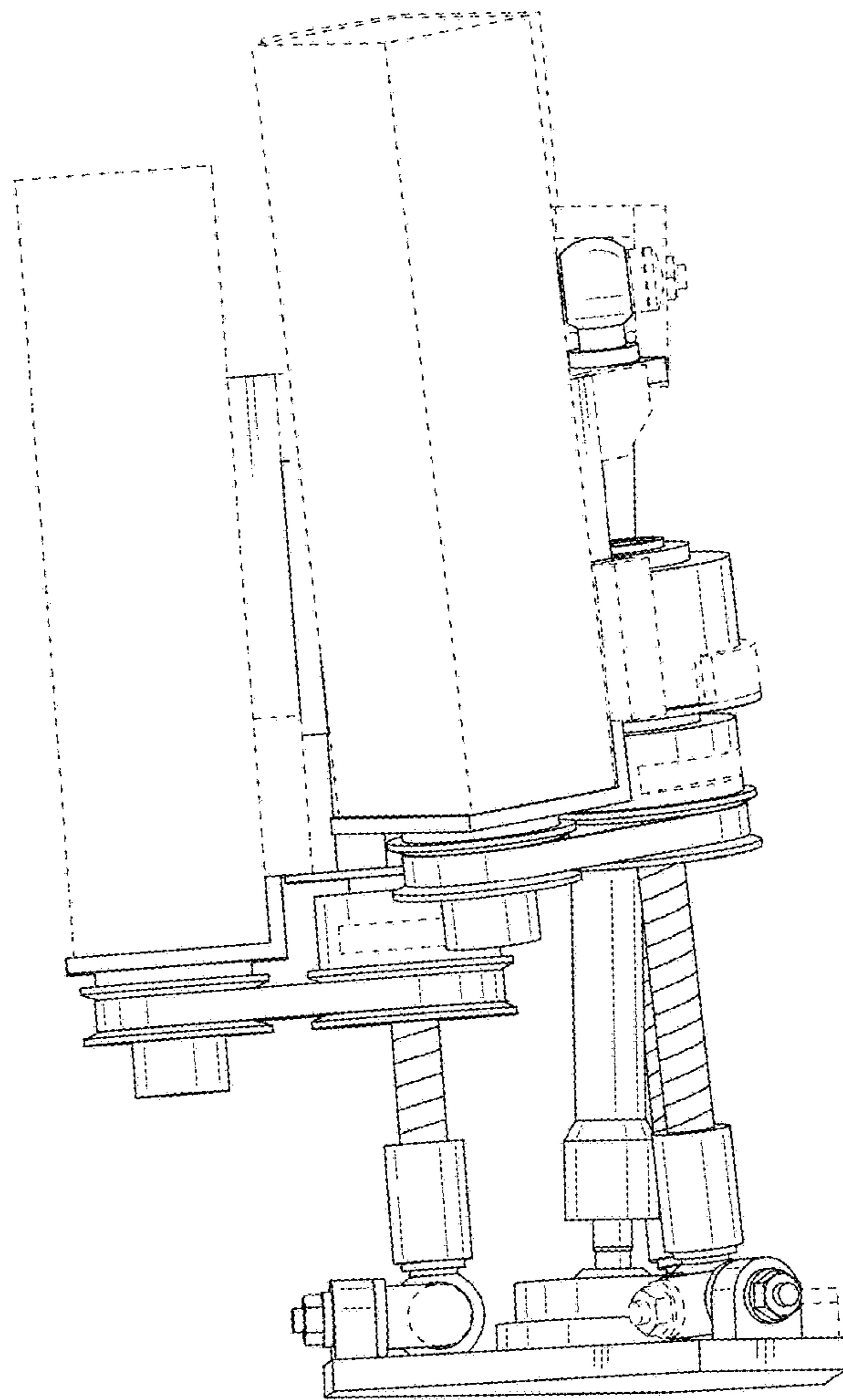


Fig. 7

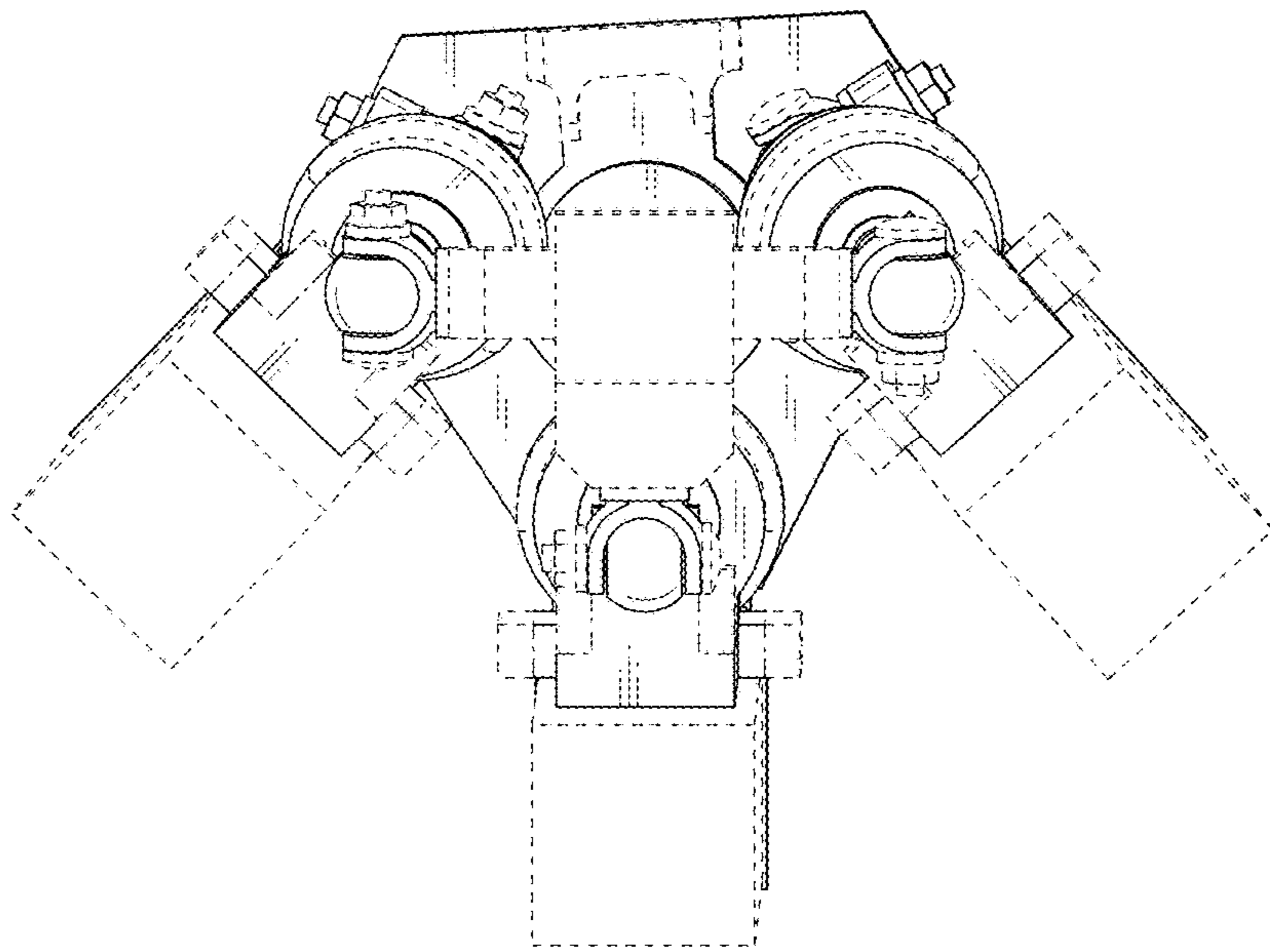


Fig. 8

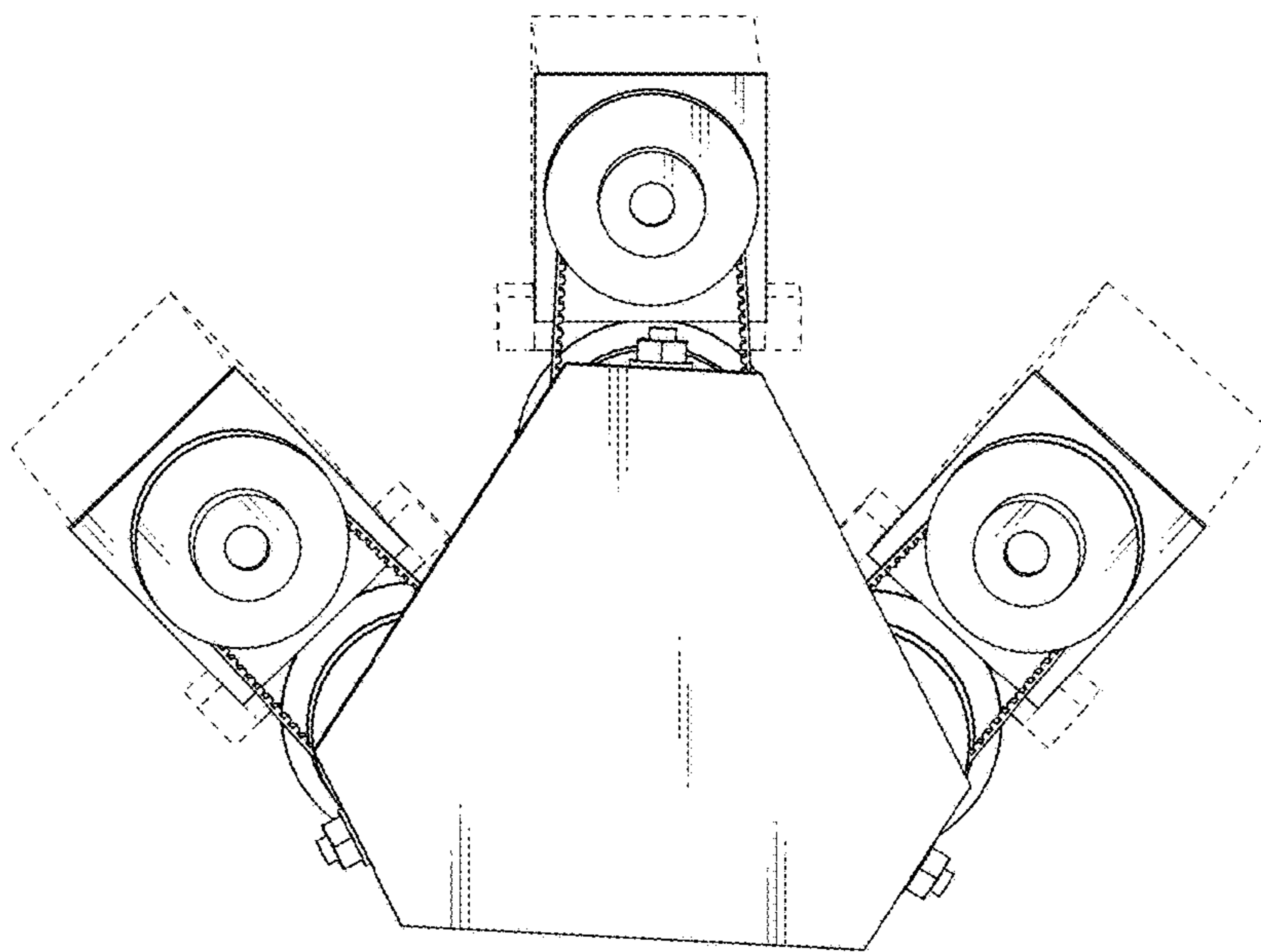


Fig. 9

