



US00D847238S

(12) **United States Design Patent**
Kawaguchi et al.

(10) **Patent No.:** **US D847,238 S**
(45) **Date of Patent:** **** Apr. 30, 2019**

(54) **JOINT DRIVING MEMBER FOR ROBOT**

5,593,293 A * 1/1997 Machino B25J 9/0009
414/729

(71) Applicant: **MITSUBISHI ELECTRIC CORPORATION**, Tokyo (JP)

5,740,699 A * 4/1998 Ballantyne B25J 17/0266
403/120

(72) Inventors: **Noboru Kawaguchi**, Tokyo (JP);
Hidetaka Yamauchi, Tokyo (JP);
Tomoya Hattori, Tokyo (JP); **Koji Hirose**, Tokyo (JP)

5,893,296 A * 4/1999 Rosheim G05G 5/03
74/490.03

(Continued)

(73) Assignee: **Mitsubishi Electric Corporation**, Tokyo (JP)

Primary Examiner — Patricia A Palasik
(74) *Attorney, Agent, or Firm* — Studebaker & Brackett PC

(**) Term: **15 Years**

(57) **CLAIM**

The ornamental design for a joint driving member for robot, as shown and described.

(21) Appl. No.: **29/633,213**

(22) Filed: **Jan. 12, 2018**

DESCRIPTION

(30) **Foreign Application Priority Data**

Jul. 18, 2017 (JP) 2017-015405

(51) **LOC (11) Cl.** **15-99**

(52) **U.S. Cl.**
USPC **D15/199**

(58) **Field of Classification Search**
USPC D15/199; D21/369, 578–583, 621, 622
CPC B25J 9/102; B25J 9/104; B25J 17/0241;
Y10T 74/20317; Y10T 74/20323
See application file for complete search history.

FIG. 1 is a front perspective view of the front, right, and top sides of a joint driving member for robot showing our new design;
FIG. 2 is a rear perspective view of the rear, left, and bottom sides thereof;
FIG. 3 is a front view thereof;
FIG. 4 is a rear view thereof;
FIG. 5 is a left side view thereof;
FIG. 6 is a right side view thereof;
FIG. 7 is a top plan view thereof;
FIG. 8 is a bottom plan view thereof;
FIG. 9 is an enlarged view of a part 9 of FIG. 2; and,
FIG. 10 is a right side view showing a state where a hinge angle is changed.

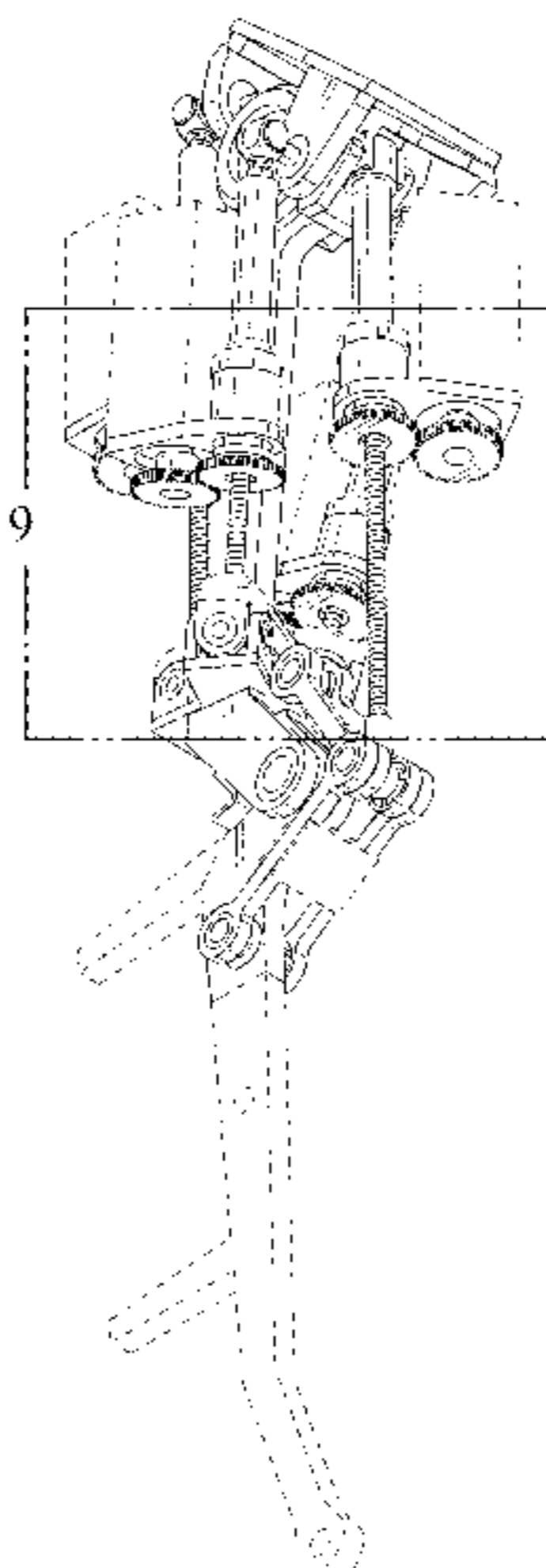
(56) **References Cited**

U.S. PATENT DOCUMENTS

5,002,242 A * 3/1991 Nagai B25J 17/0241
248/49
5,099,707 A * 3/1992 Tori B25J 9/02
384/296
5,107,716 A * 4/1992 Torii B25J 9/02
384/296
5,119,753 A * 6/1992 Milad B23Q 1/5406
114/338
5,342,254 A * 8/1994 Sula B25J 9/102
475/223

The broken lines shown represent unclaimed subject matter of the joint driving member for robot or environments and form no part of the claimed design.
The dash-dot lines represent the boundary between the claimed design and unclaimed design and form no part of the claimed design.
The dash-dot-dot lines represent the locations and borders of an enlarged view showing details and form no part of the claimed design.

1 Claim, 6 Drawing Sheets



(56)

References Cited

U.S. PATENT DOCUMENTS

6,151,981	A *	11/2000	Costa	B25J 9/023	74/490.03
6,220,813	B1 *	4/2001	Launiere	B23Q 1/50	198/468.6
6,240,799	B1 *	6/2001	Yau	B23Q 1/5462	74/479.01
7,013,750	B1 *	3/2006	Kazami	B25J 9/08	74/490.03
9,512,912	B1 *	12/2016	Edsinger	F16H 48/12	
9,568,074	B2 *	2/2017	Gosselin	B25J 9/102	
9,849,925	B2 *	12/2017	Outa	B62D 53/02	
10,040,206	B2 *	1/2018	Jeong et al.			
D810,801	S *	2/2018	Hsu et al.			
10,144,464	B1 *	12/2018	Buerger et al.			
2002/0078778	A1 *	6/2002	Grover	B25J 9/042	74/490.03
2005/0275367	A1 *	12/2005	Buehler	B25J 9/102	318/568.12
2007/0062321	A1 *	3/2007	Chablat	B23Q 1/5462	74/479.01
2009/0308188	A1 *	12/2009	Yang	B25J 9/104	74/89.27
2010/0122602	A1 *	5/2010	Marcroft	B25J 17/0216	74/490.03
2010/0162846	A1 *	7/2010	Lee	B25J 9/1045	74/490.04
2010/0170357	A1 *	7/2010	Kim	B25J 9/102	74/89.32
2011/0048158	A1 *	3/2011	Maisonnier	B25J 17/0275	74/490.03
2011/0056321	A1 *	3/2011	Sim	B25J 9/1025	74/490.04
2011/0067518	A1 *	3/2011	Park	B25J 9/102	74/490.04
2011/0113914	A1 *	5/2011	Zhang	B25J 9/107	74/490.01
2011/0126651	A1 *	6/2011	Pan	B25J 9/102	74/89.2
2011/0137423	A1 *	6/2011	Ouyang	B25J 9/102	623/18.11
2011/0214524	A1 *	9/2011	Jacobsen	A61F 2/68	74/490.04
2011/0314949	A1 *	12/2011	Long	B25J 19/0029	74/490.04
2012/0011956	A1 *	1/2012	Lundberg	B25J 9/04	74/490.03
2012/0048047	A1 *	3/2012	Zhang	B25J 9/046	74/425
2012/0067150	A1 *	3/2012	Zhang	B25J 9/102	74/423
2012/0204670	A1 *	8/2012	Ryland	B08B 9/045	74/490.03
2012/0271207	A1 *	10/2012	Schoen	A61F 5/0102	601/34
2012/0291582	A1 *	11/2012	Kang	B25J 19/0016	74/490.03
2013/0104676	A1 *	5/2013	Yang	B25J 9/06	73/865.8
2013/0282174	A1 *	10/2013	Xi	B25J 9/1682	700/248
2013/0296746	A1 *	11/2013	Herr	A61H 3/00	601/34
2014/0007730	A1 *	1/2014	DeLouis	B25J 15/0009	74/490.03
2014/0123800	A1 *	5/2014	Choi	F16H 48/10	74/490.03
2014/0213409	A1 *	7/2014	Yoon	F16H 1/203	475/343
2015/0114163	A1 *	4/2015	Rosheim	B25J 9/0045	74/490.03
2015/0122071	A1 *	5/2015	Lee	B25J 9/06	74/490.04
2015/0190246	A1 *	7/2015	Ryu	G06F 3/011	74/89.22
2015/0272811	A1 *	10/2015	Choi	B25J 17/00	623/27
2016/0038313	A1 *	2/2016	Kim	B25J 9/102	623/24
2016/0114479	A1 *	4/2016	Rosheim	B25J 9/0075	74/490.03
2016/0288319	A1 *	10/2016	Kfoury	B25J 9/104	
2017/0120453	A1 *	5/2017	Roy	B25J 5/04	
2017/0297197	A1 *	10/2017	King	B25J 9/126	
2017/0319421	A1 *	11/2017	Julin	A61H 3/00	
2017/0348852	A1 *	12/2017	Sarh	B25J 9/106	
2018/0009116	A1 *	1/2018	Jeong et al.			
2018/0079084	A1 *	3/2018	Woo et al.			
2018/0133894	A1 *	5/2018	Choi et al.			
2018/0140441	A1 *	5/2018	Poirters			
2018/0193172	A1 *	7/2018	Smith et al.			
2018/0236655	A1 *	8/2018	Nakanishi			

* cited by examiner

Fig. 1

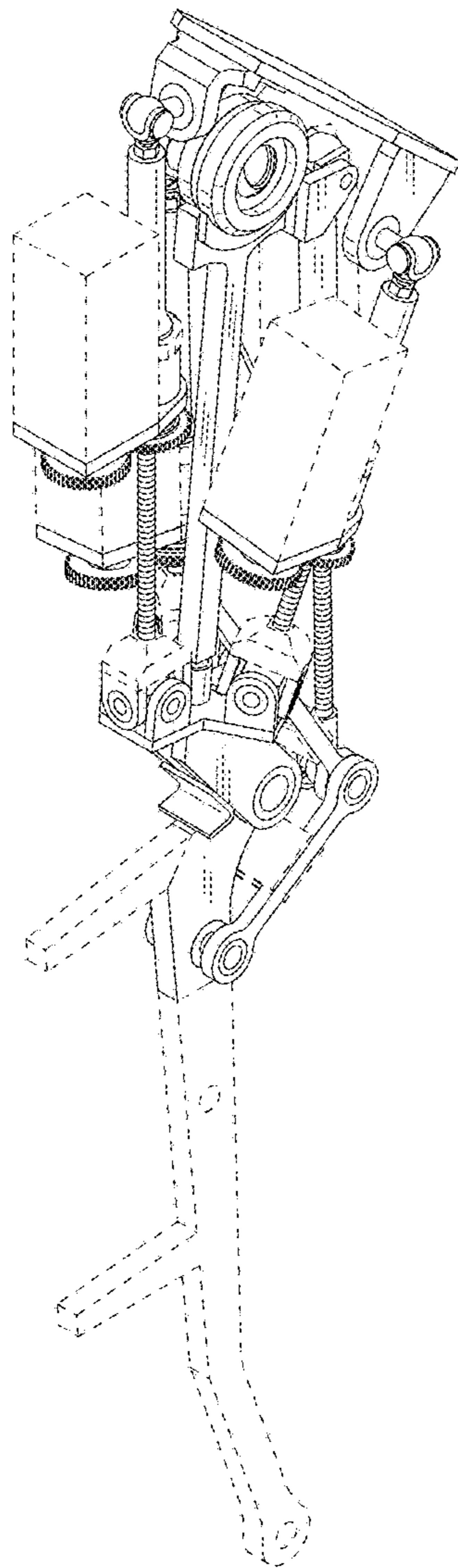


Fig. 2

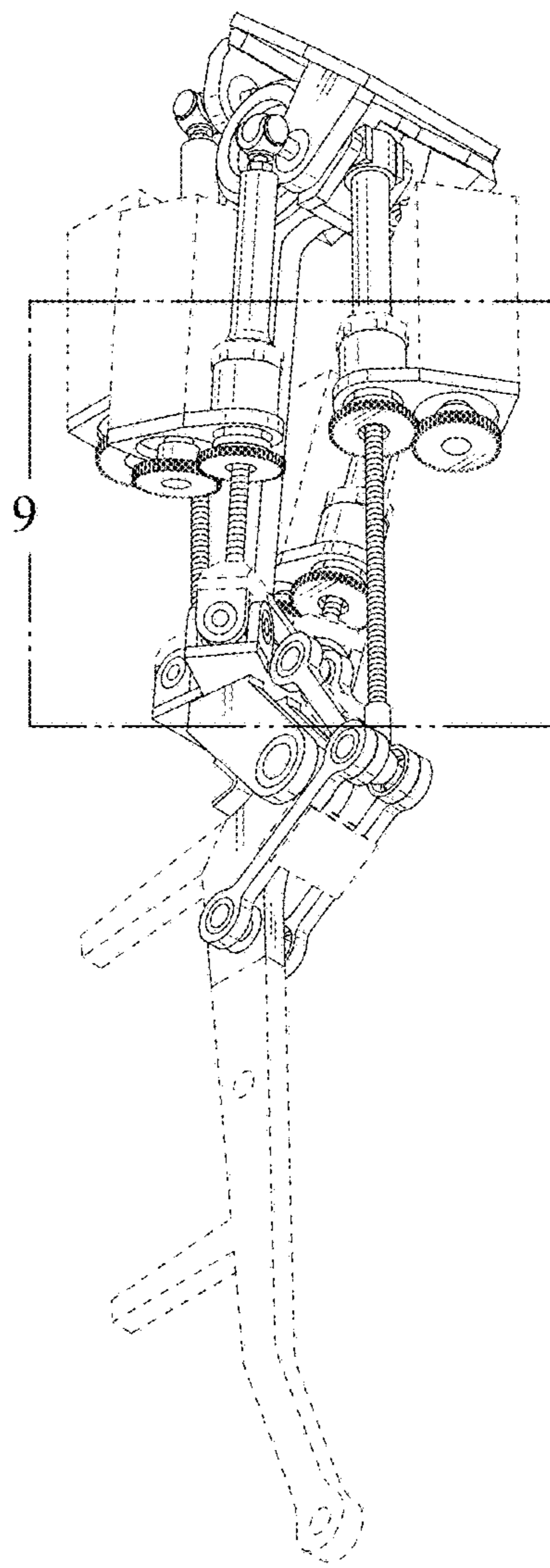


Fig. 3

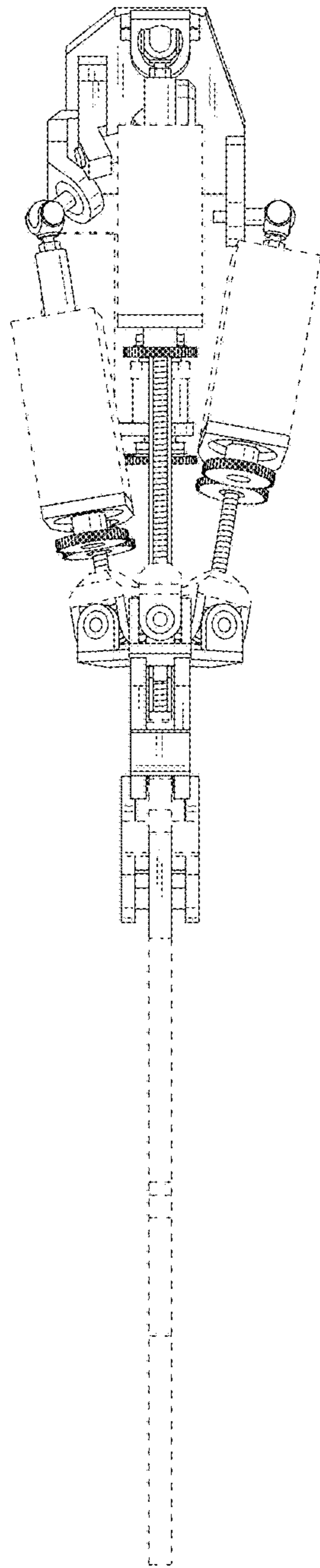


Fig. 4

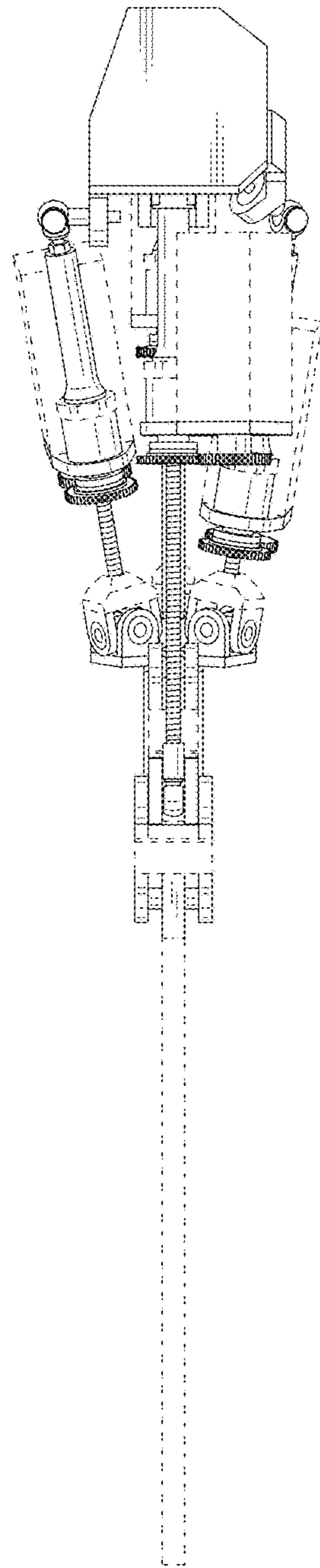


Fig. 5

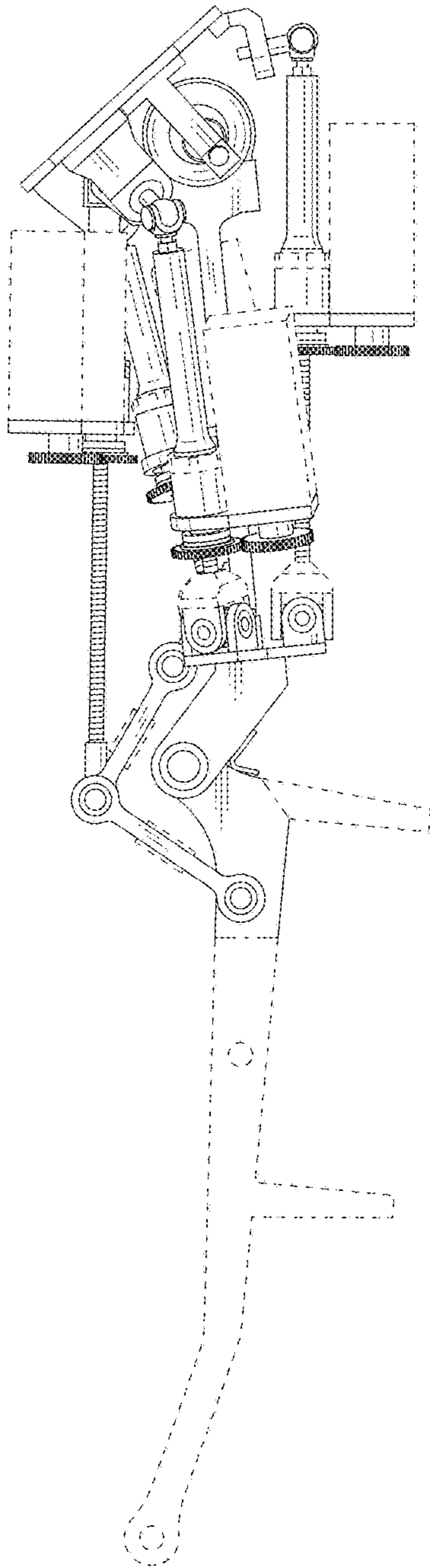


Fig. 6

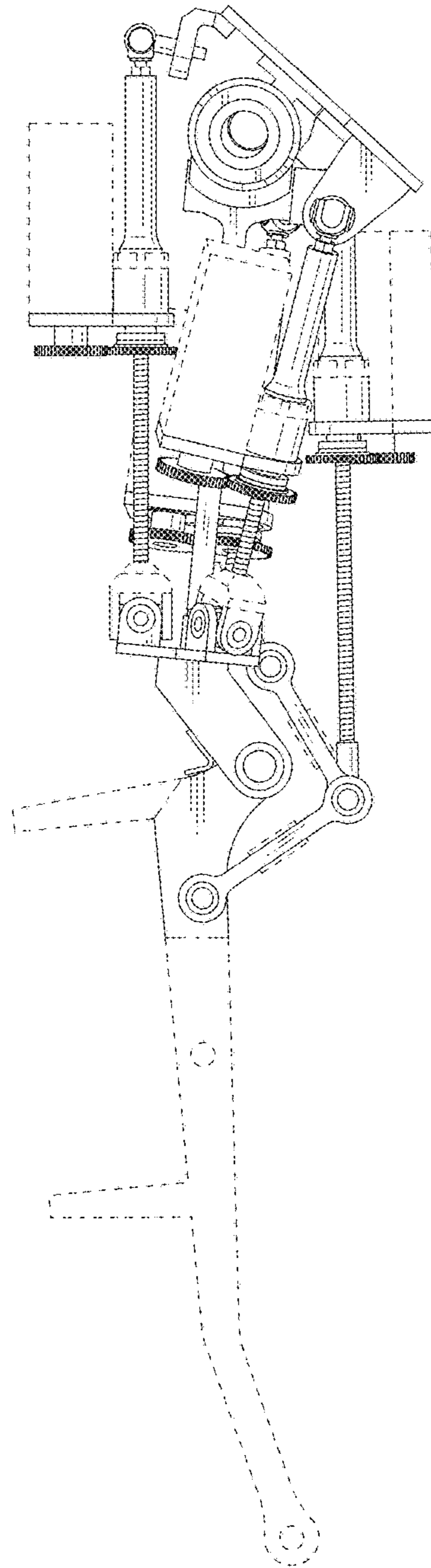


Fig. 7

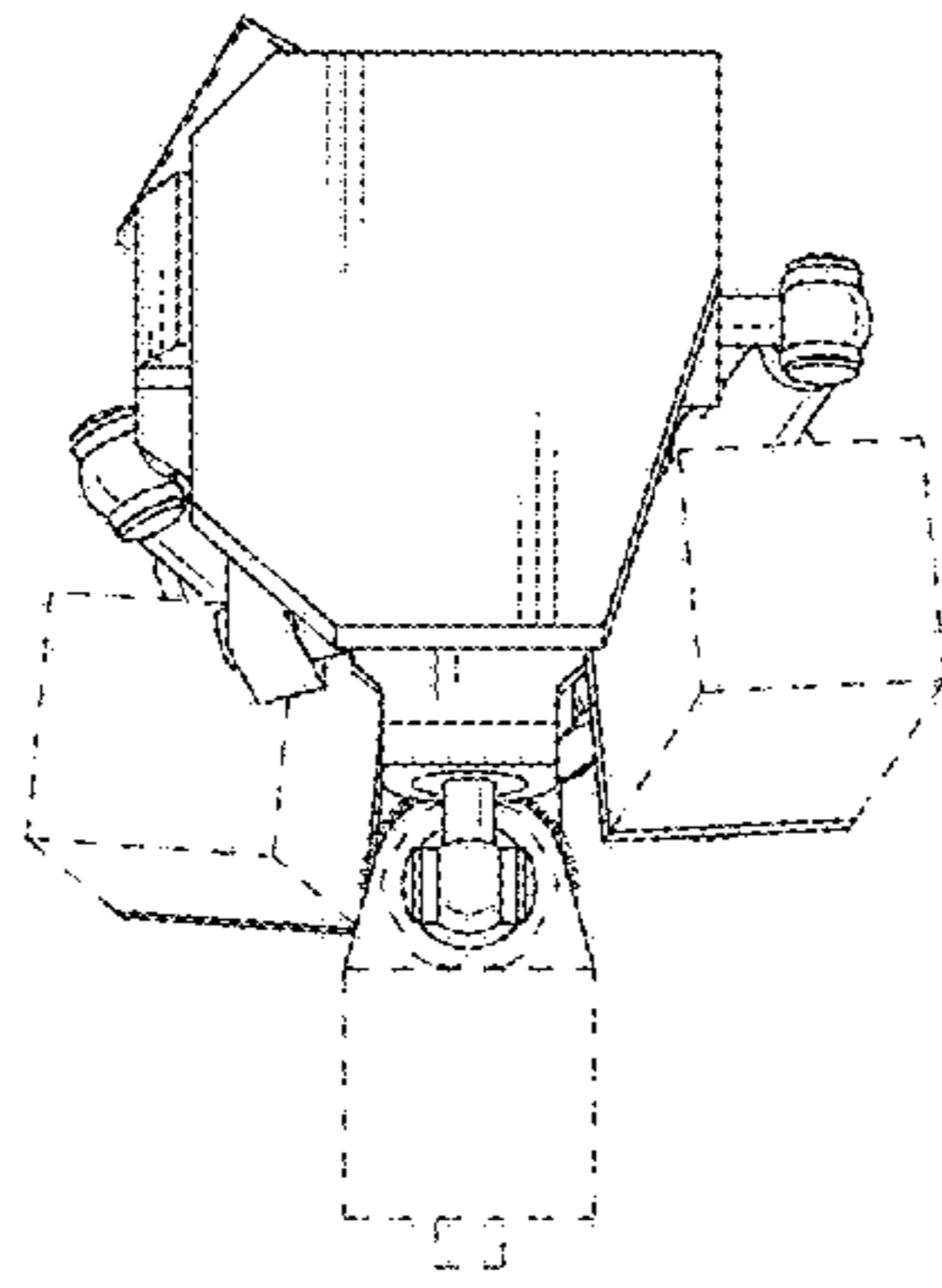


Fig. 8

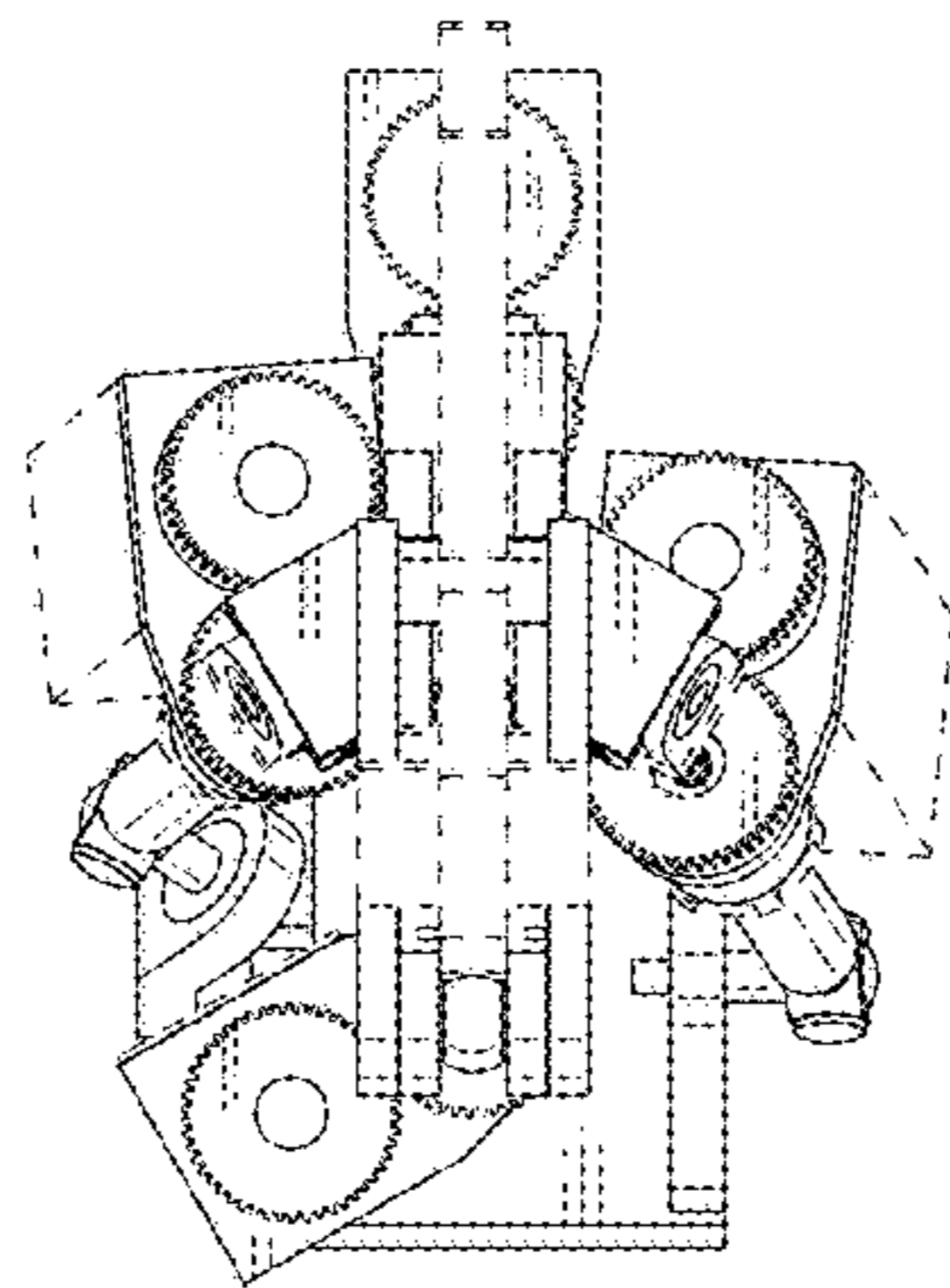


Fig. 9

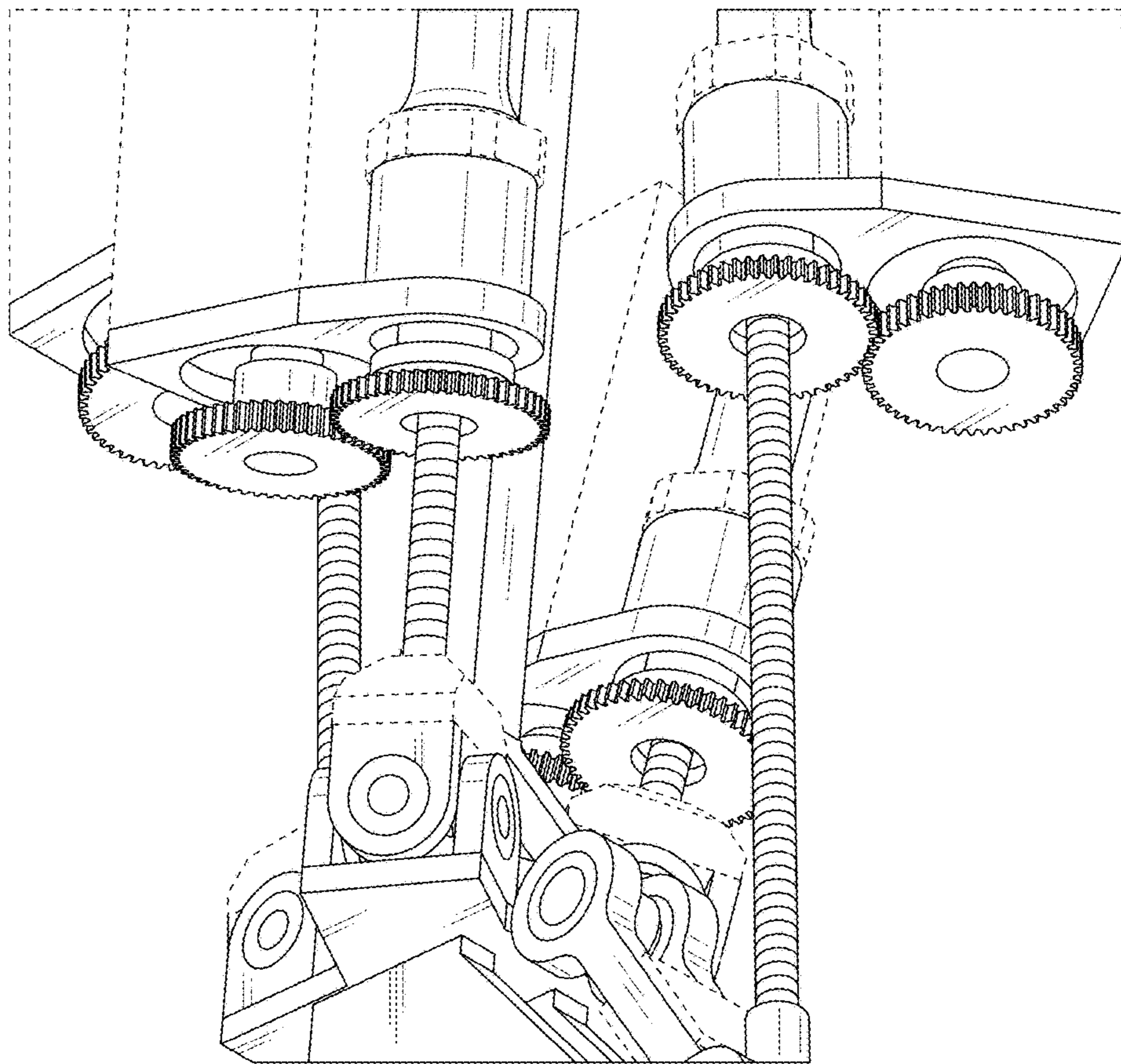


Fig. 10

