



US00D847235S

(12) **United States Design Patent**
Gou

(10) **Patent No.:** **US D847,235 S**

(45) **Date of Patent:** **** Apr. 30, 2019**

(54) **SOLDERING IRON**

(71) Applicant: **Guangzhou Yihua Electronic Equipment Co., Ltd.**, Guangzhou, Guangdong (CN)

(72) Inventor: **Mingkang Gou**, Guangdong (CN)

(73) Assignee: **GUANGZHOU YIHUA ELECTRONIC EQUIPMENT CO., LTD.**, Guangzhou, Guangdong (CN)

(**) Term: **15 Years**

(21) Appl. No.: **29/606,257**

(22) Filed: **Jun. 2, 2017**

(30) **Foreign Application Priority Data**

Dec. 8, 2016 (EP) 003507268-0021

(51) **LOC (11) Cl.** **15-03**

(52) **U.S. Cl.**
USPC **D15/144**

(58) **Field of Classification Search**

USPC D15/21, 138, 139, 144; D8/1, 3, 8, 98

CPC B23K 26/032; B23K 11/0026; B23K 11/062; B23K 11/066; B23K 11/0873; B23K 11/0876; B23K 11/115; B23K 11/24; B23K 11/248; B23K 11/252; B23K 11/257; B23K 11/3018; B23K 11/3054; B23K 11/36; B23K 15/0013; B23K 15/02; B23K 15/08; B23K 15/085; B23K 1/0014; B23K 1/0018; B23K 1/0056; B23K 20/12; B23K 20/1215; B23K 2201/001; B23K 2201/04; B23K 2201/125; B23K 2203/04; B23K 2203/10; B23K 2203/16; B23K 2203/26; B23K 2203/42; B23K 2203/52; B23K 26/03; B23K 26/034; B23K 26/044; B23K 26/0619; B23K 26/123; B23K 26/1429; B23K 26/20; B23K 26/28; B23K 26/362; B23K 26/38; B23K 26/382; B23K 31/02;

B23K 31/12; B23K 35/0222; B23K 35/0244; B23K 35/025; B23K 35/0261; B23K 35/286; B23K 35/3006; B23K 35/3013; B23K 35/302; B23K 35/3033; B23K 35/3046; B23K 35/327; B23K 35/36; B23K 35/3603; B23K 35/3605; B23K 35/3613; B23K 35/365; B23K 37/04; B23K 9/02; B23K 9/073; B23K 9/091; B23K 9/092; B23K 9/095; B23K 9/0956; B23K 9/1006

See application file for complete search history.

(56) **References Cited**

U.S. PATENT DOCUMENTS

2,348,385 A * 5/1944 Houghton F23D 14/40
165/134.1
D297,704 S * 9/1988 Bulow D15/144
D489,079 S * 4/2004 Horner-Richardson D15/144
D590,852 S * 4/2009 Killion D15/144
D652,437 S * 1/2012 Furujo D15/144
D735,786 S * 8/2015 Sallander D15/144
D736,285 S * 8/2015 Hassan D15/144
D815,168 S * 4/2018 Cash D15/144

* cited by examiner

Primary Examiner — Khawaja Anwar

(74) *Attorney, Agent, or Firm* — Lucas & Mercanti LLP

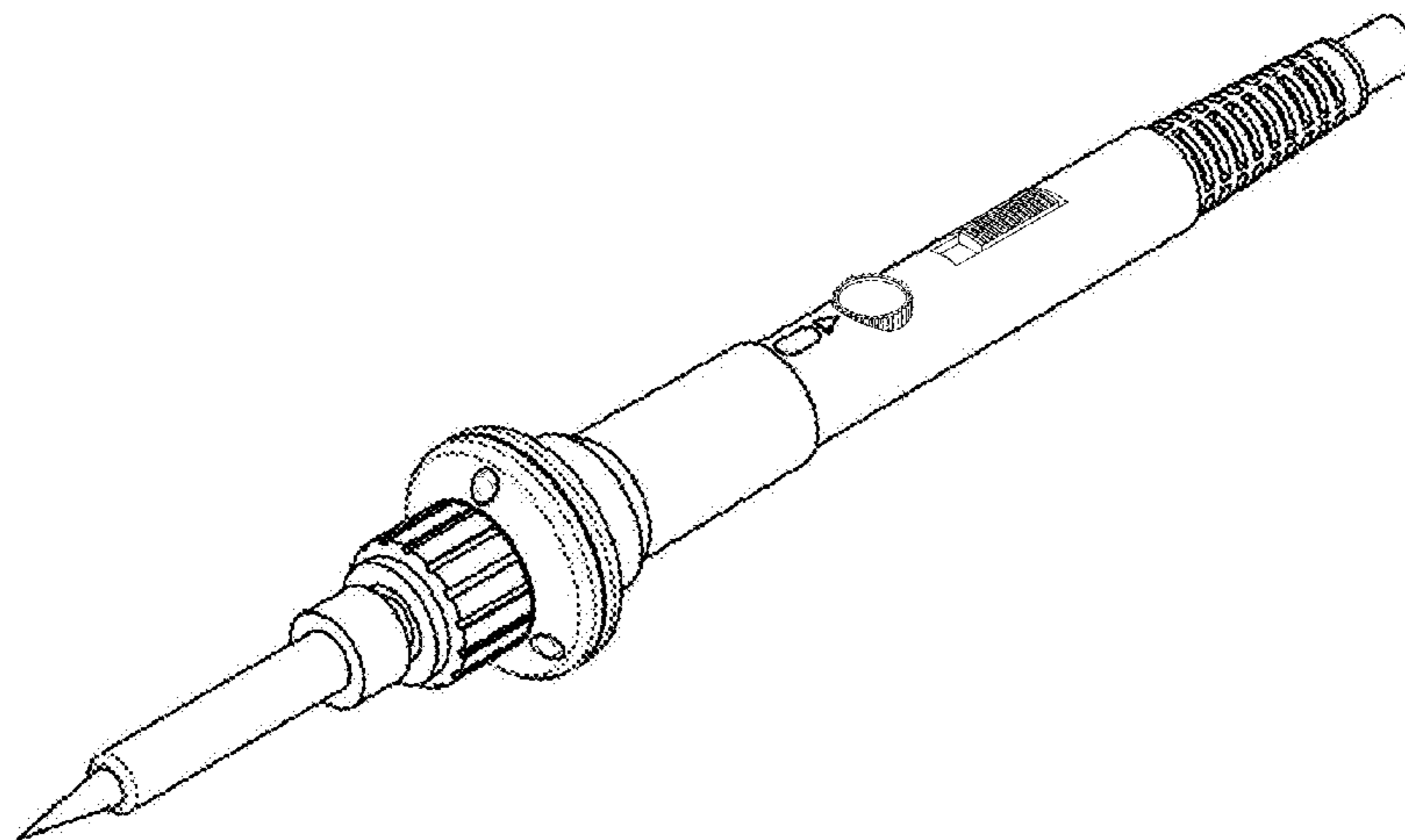
(57) **CLAIM**

The ornamental design for a soldering iron, as shown and described.

DESCRIPTION

FIG. 1 is a perspective view of the soldering iron.
FIG. 2 is a front view thereof;
FIG. 3 is a rear view thereof;
FIG. 4 is a side view thereof, the opposite side being a mirror image;
FIG. 5 is a top view thereof; and,
FIG. 6 is a bottom view thereof.

1 Claim, 4 Drawing Sheets



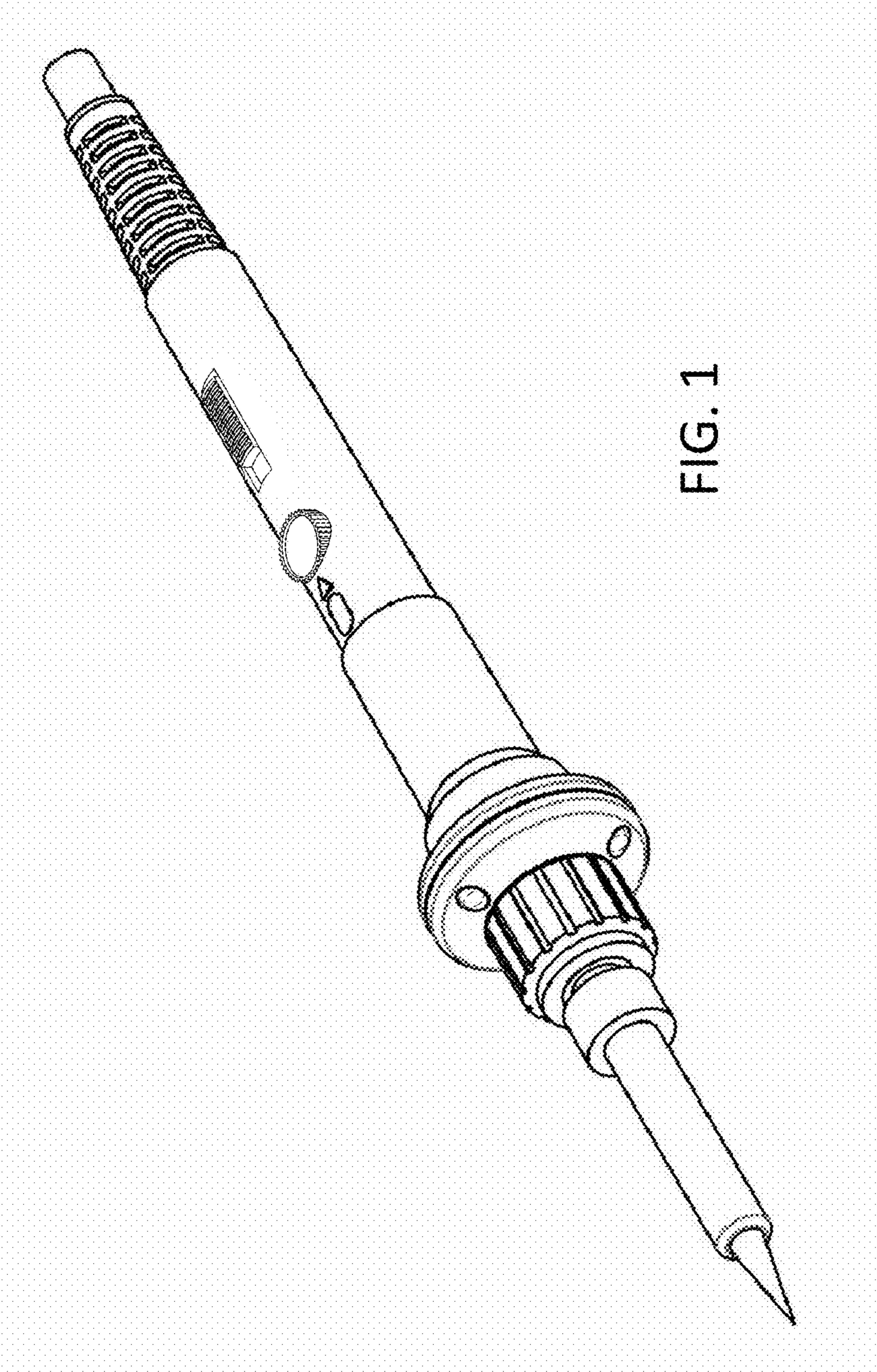


FIG. 1

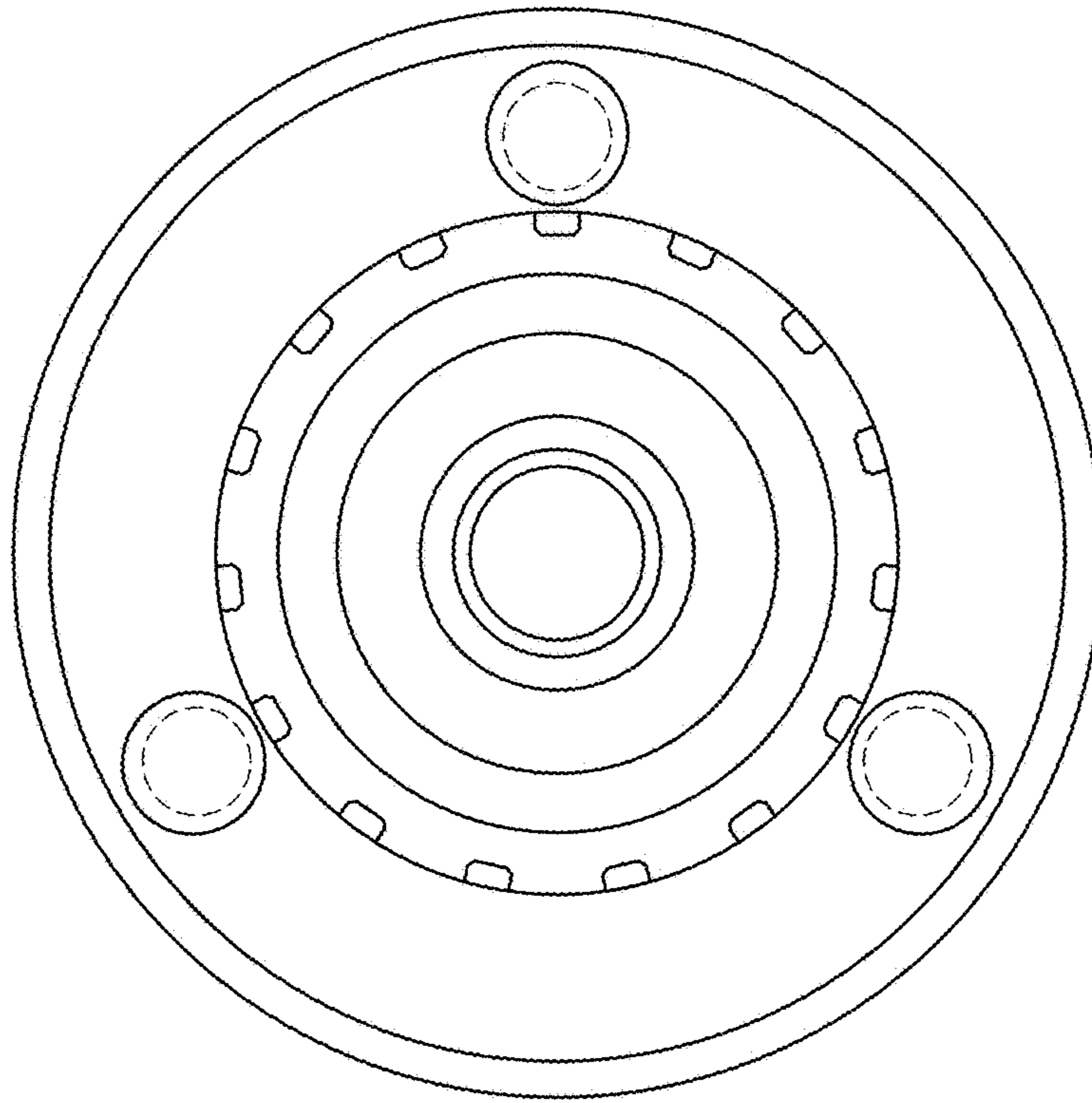


FIG. 2

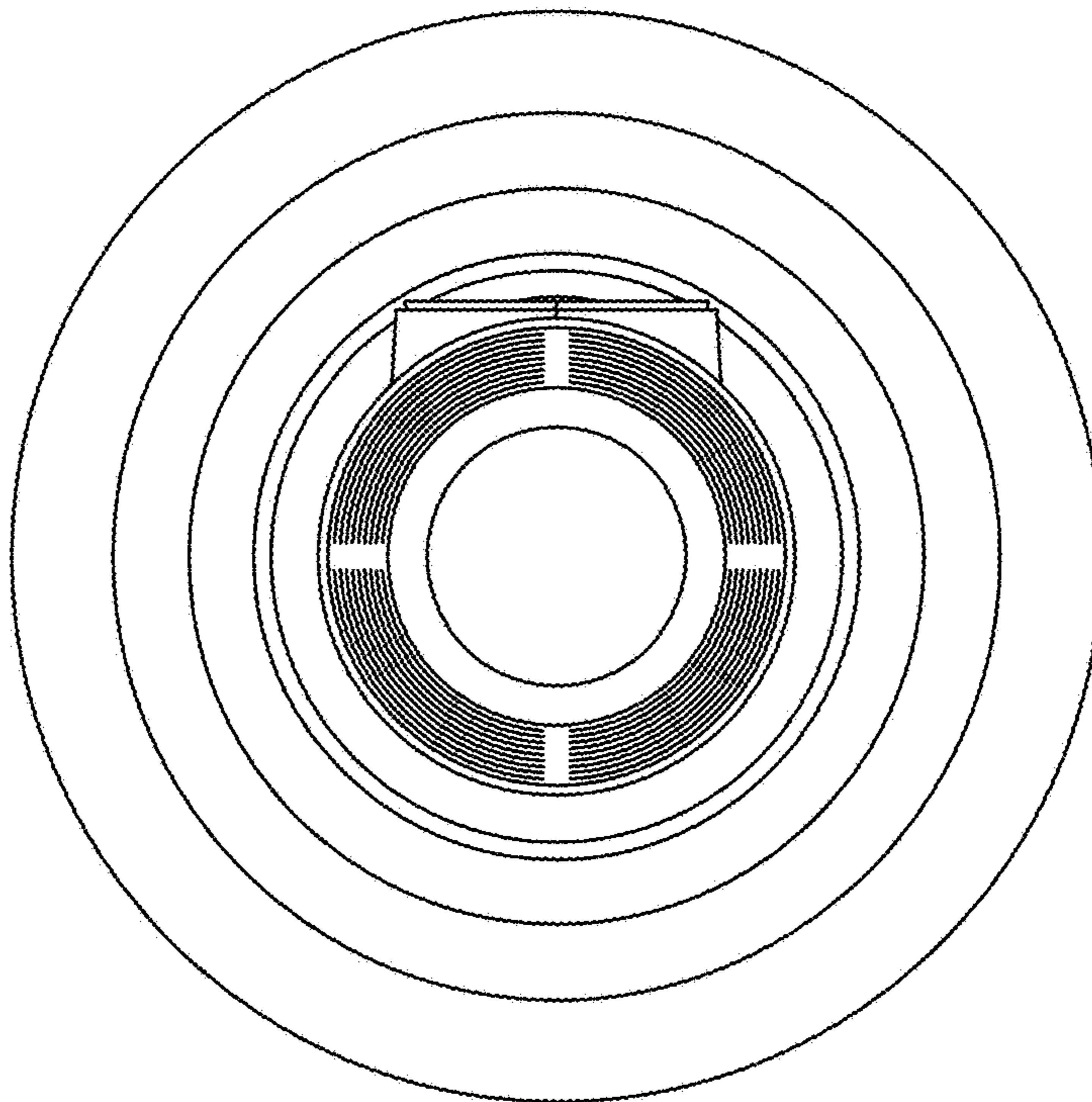


FIG. 3

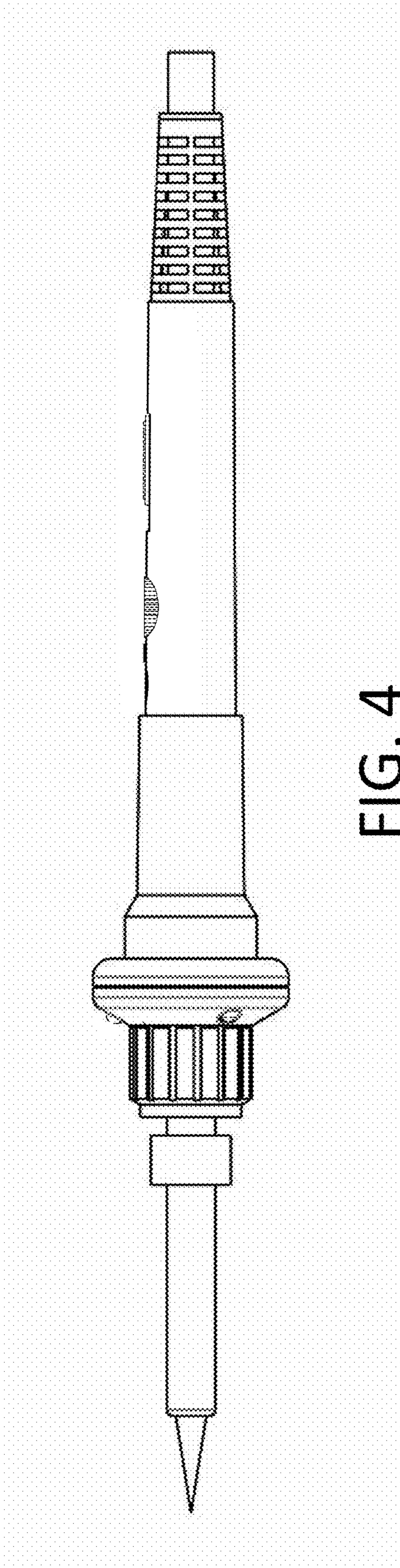


FIG. 4

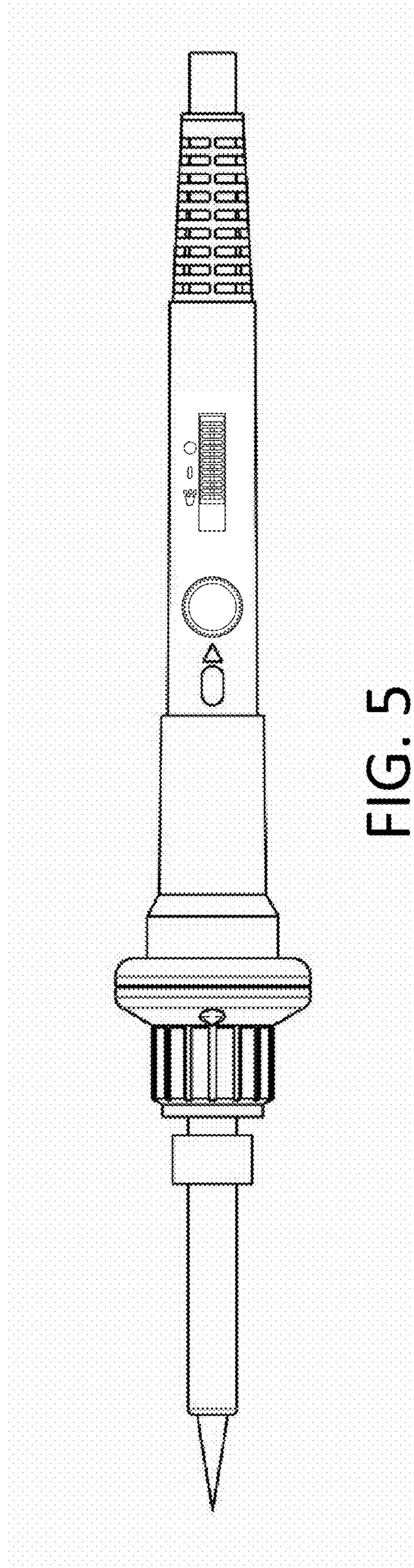


FIG. 5

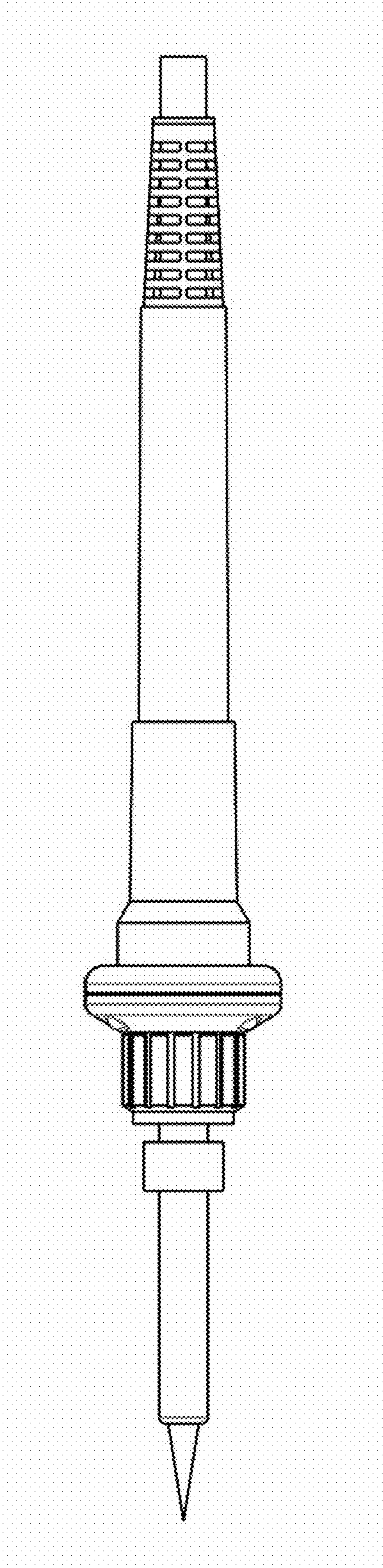


FIG. 6