



US00D847232S

(12) **United States Design Patent**
Zahriya

(10) **Patent No.:** **US D847,232 S**

(45) **Date of Patent:** **** *Apr. 30, 2019**

(54) **BUTANE TORCH**

(71) Applicant: **Nesser Zahriya**, South San Francisco, CA (US)

(72) Inventor: **Nesser Zahriya**, South San Francisco, CA (US)

(73) Assignee: **United Brands Products Design, Development and Marketing, Inc.**, South San Francisco, CA (US)

(*) Notice: This patent is subject to a terminal disclaimer.

(**) Term: **15 Years**

(21) Appl. No.: **29/546,096**

(22) Filed: **Nov. 18, 2015**

(51) **LOC (11) Cl.** **15-03**

(52) **U.S. Cl.**
USPC **D15/144**

(58) **Field of Classification Search**
USPC D15/144, 144.1, 144.2; D8/29.1, 29.2, D8/30; D22/108
CPC B23K 9/0953; B23K 9/0956; B23K 9/10; B23K 9/173; B23K 9/285; B23K 9/295; B23K 9/32
See application file for complete search history.

(56) **References Cited**

U.S. PATENT DOCUMENTS

- 3,022,414 A * 2/1962 Yoder B23K 9/007 219/127
- D416,920 S * 11/1999 Chou D15/144
- D499,123 S * 11/2004 Rakowski D15/144
- D514,606 S * 2/2006 Picaza D15/144.2

- D519,800 S * 5/2006 Glover D8/29.1
- D587,975 S * 3/2009 Aronson, II D15/144
- D625,746 S * 10/2010 Roberts D15/144
- D683,774 S * 6/2013 Leiteritz D15/144.2
- D698,378 S * 1/2014 Leiteritz D15/144.2
- D703,250 S * 4/2014 McKinley D15/144.2
- D703,251 S * 4/2014 Raboin D15/144.2
- D793,193 S * 8/2017 Lee D8/30
- D803,649 S * 11/2017 van der Rest D8/68
- D805,567 S * 12/2017 Kita D15/144.2
- 2003/0203331 A1 * 10/2003 Hsu F23D 14/40 431/153
- 2008/0160471 A1 * 7/2008 Lin F23D 14/28 431/344

* cited by examiner

Primary Examiner — Khawaja Anwar

(74) *Attorney, Agent, or Firm* — Lael D. Andara; Marie E. Sobieski

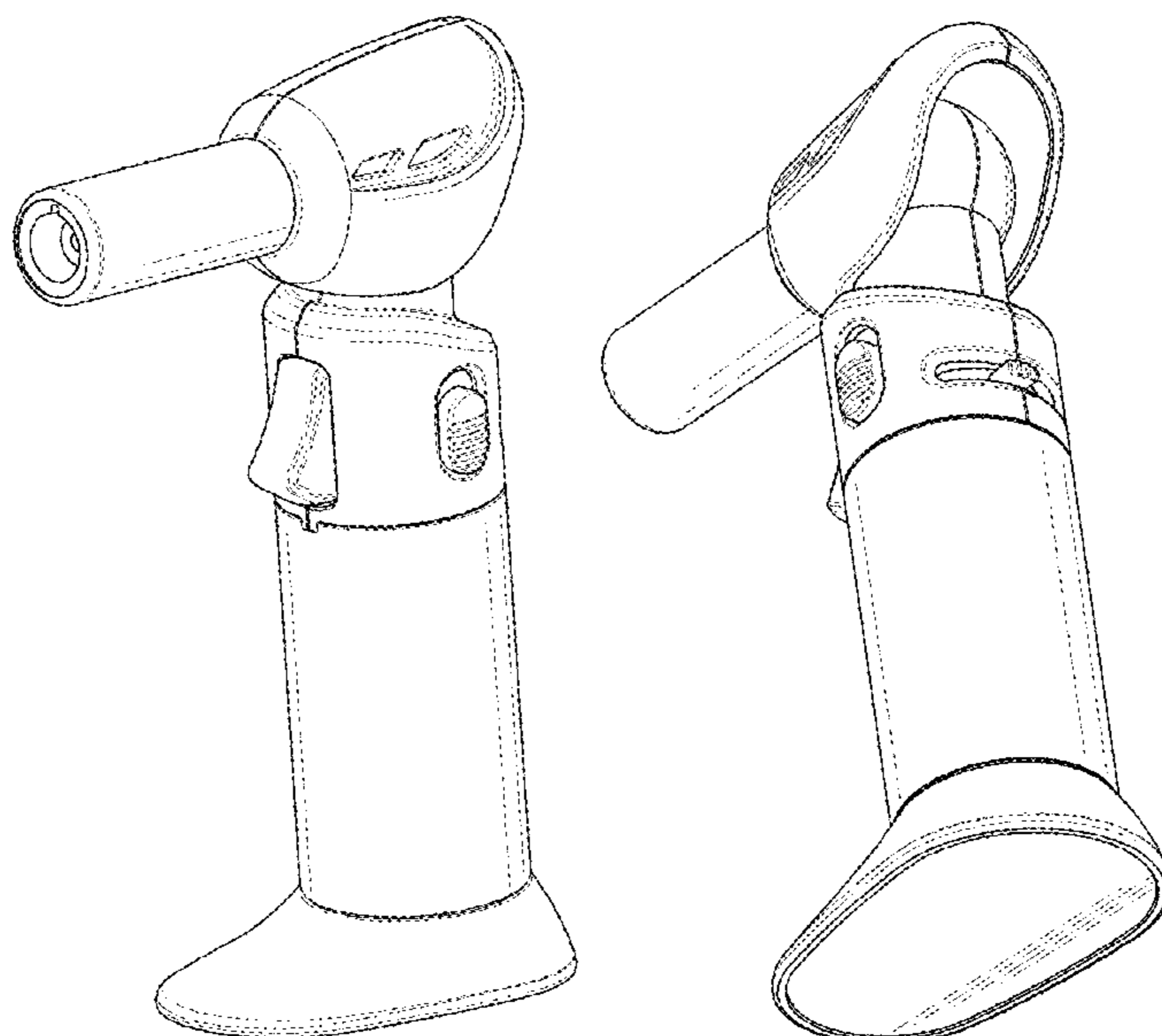
(57) **CLAIM**

The ornamental design for a butane torch, as shown.

DESCRIPTION

FIG. 1 is a top right side perspective view of a butane torch showing my new design;
 FIG. 2 is a top left side perspective view thereof;
 FIG. 3 is a bottom rear perspective view thereof;
 FIG. 4 is a front view thereof;
 FIG. 5 is a rear view thereof;
 FIG. 6 is a right side view thereof;
 FIG. 7 is a left side view thereof;
 FIG. 8 is a top view thereof;
 FIG. 9 is a bottom view thereof;
 FIG. 10 is an alternate right side view thereof;
 FIG. 11 is an alternate right side view thereof; and,
 FIG. 12 is an alternate front view thereof.

1 Claim, 10 Drawing Sheets



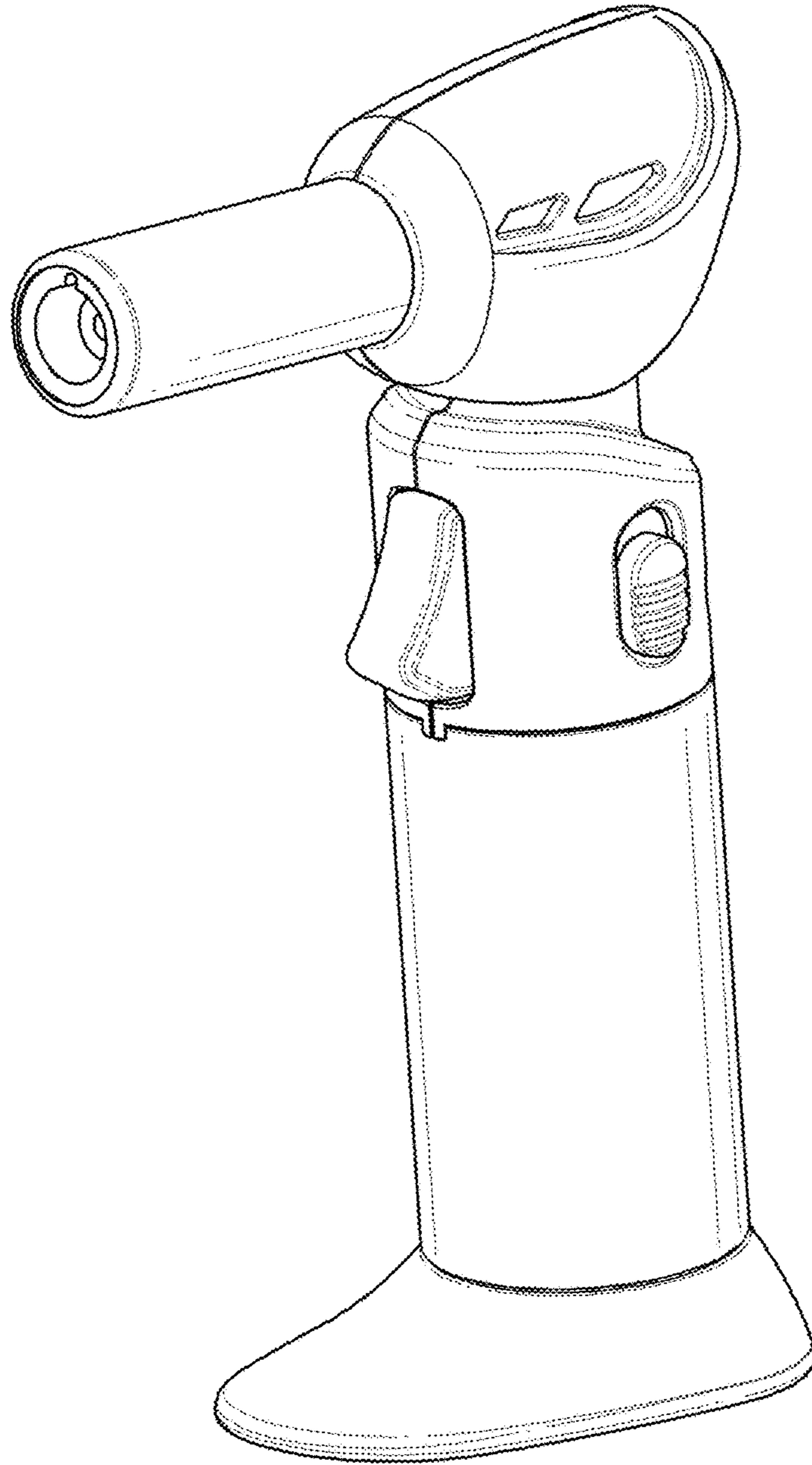


FIG. 1

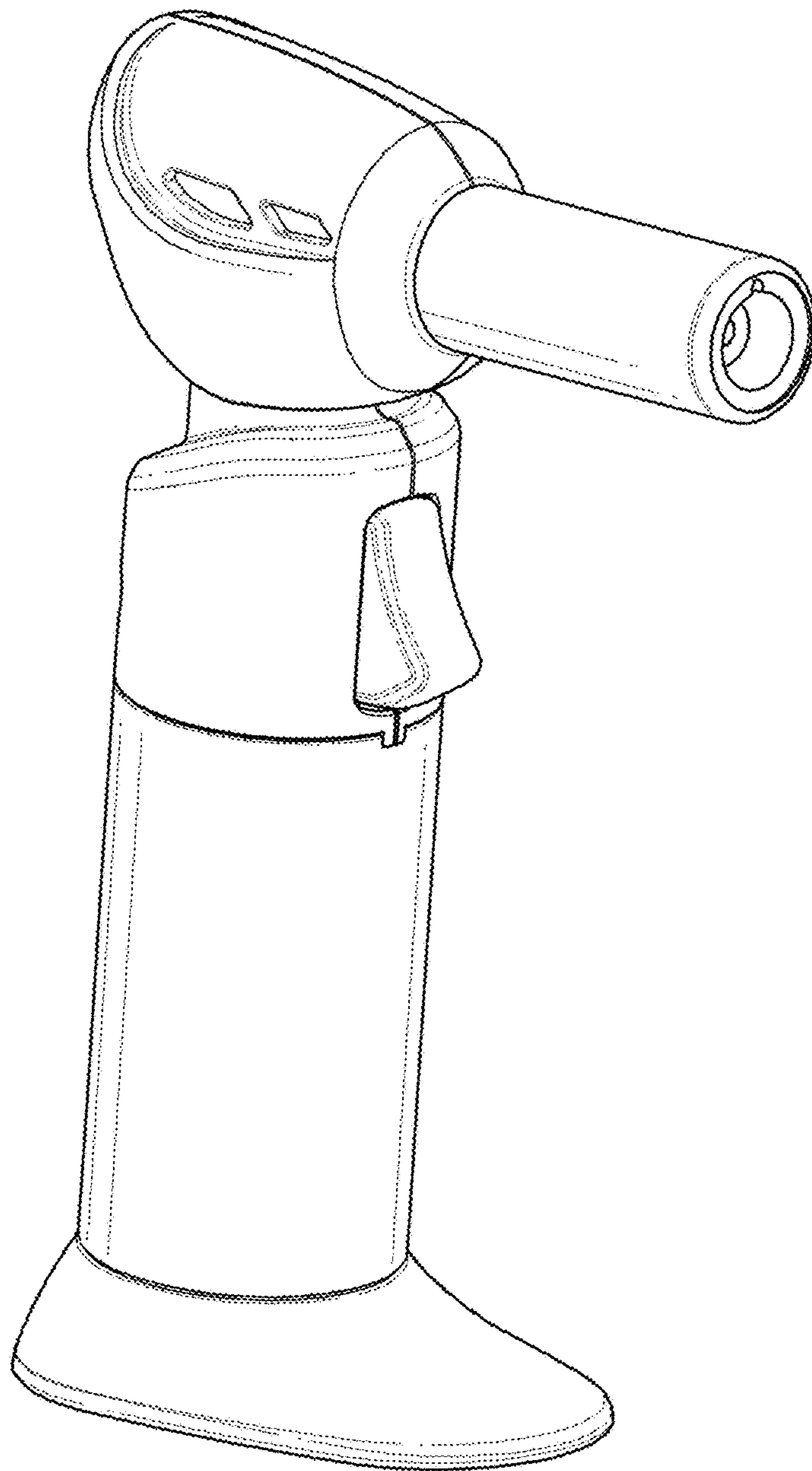


FIG. 2

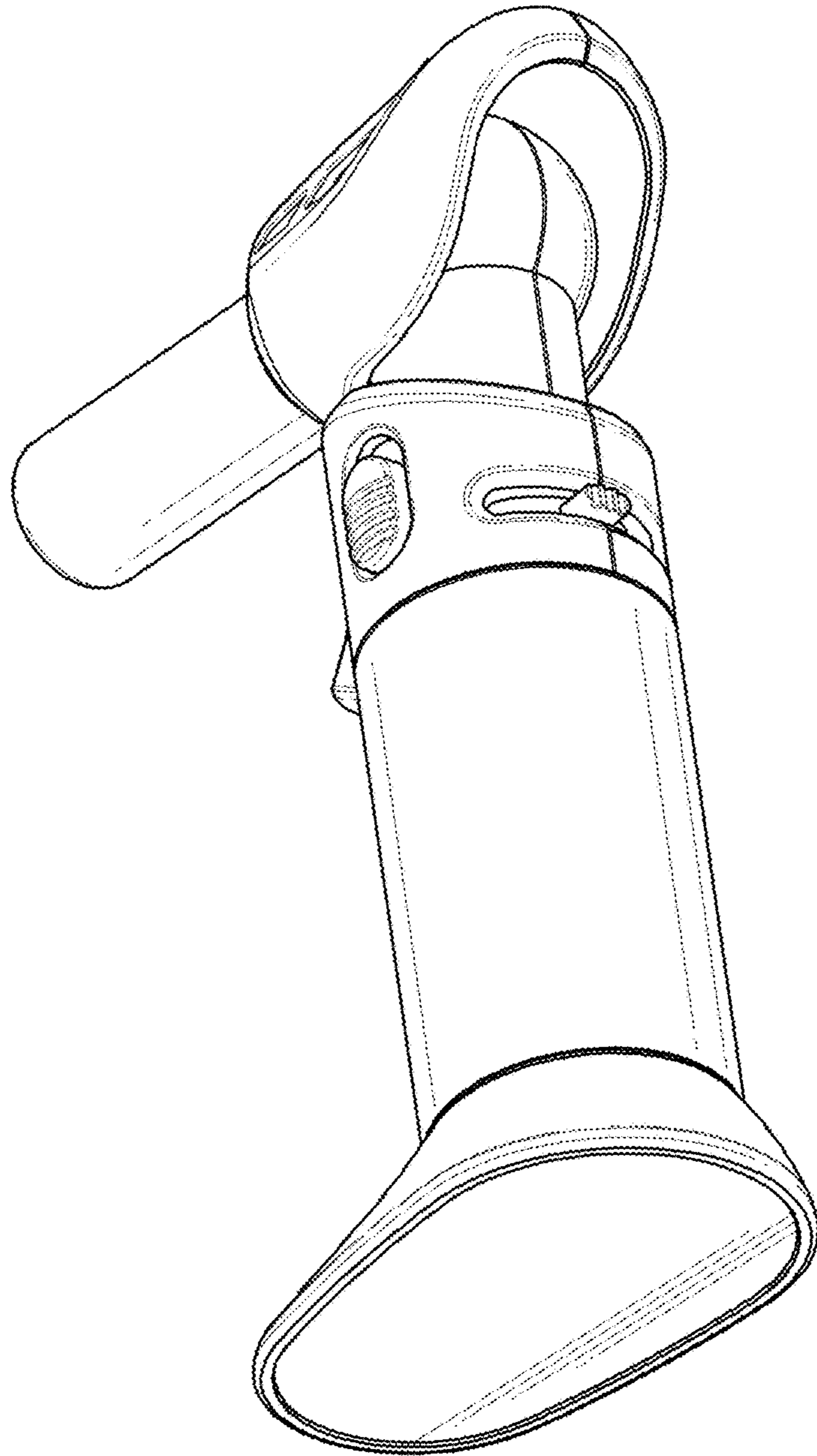


FIG. 3

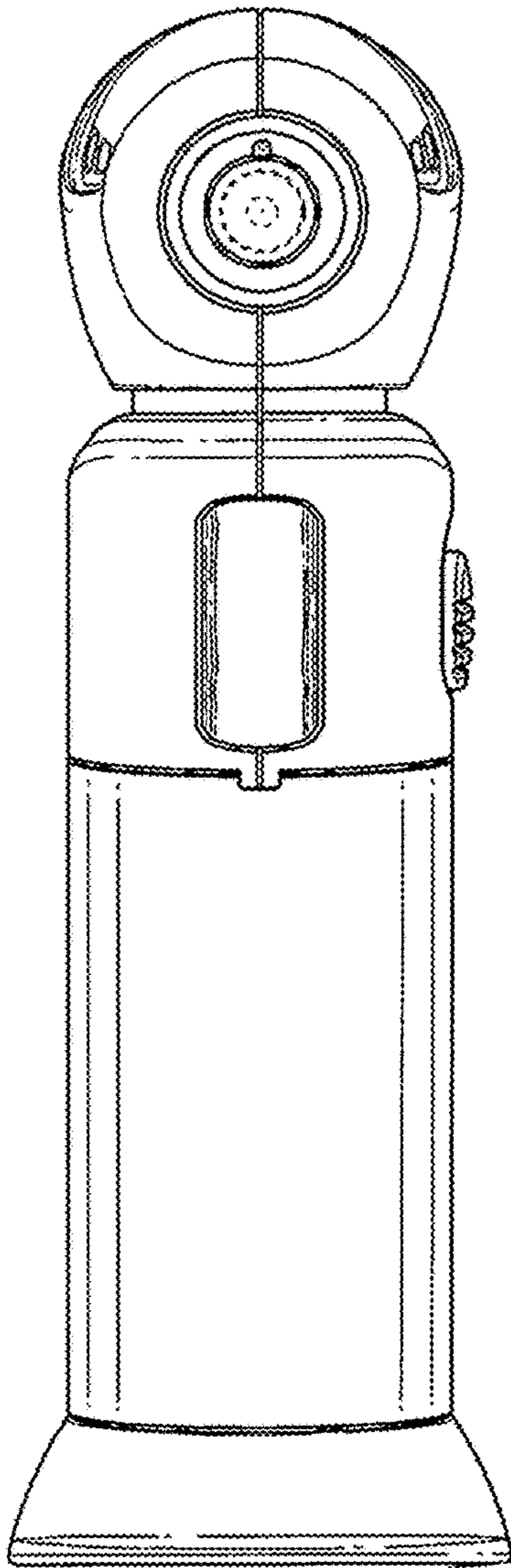


FIG. 4

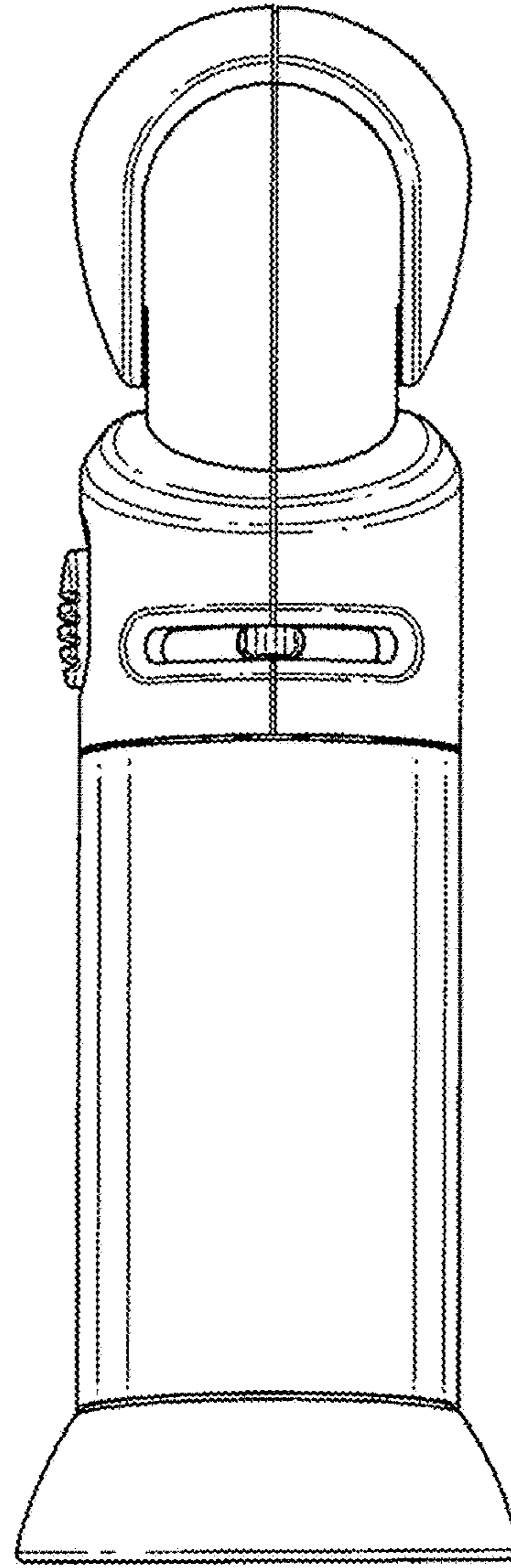


FIG. 5

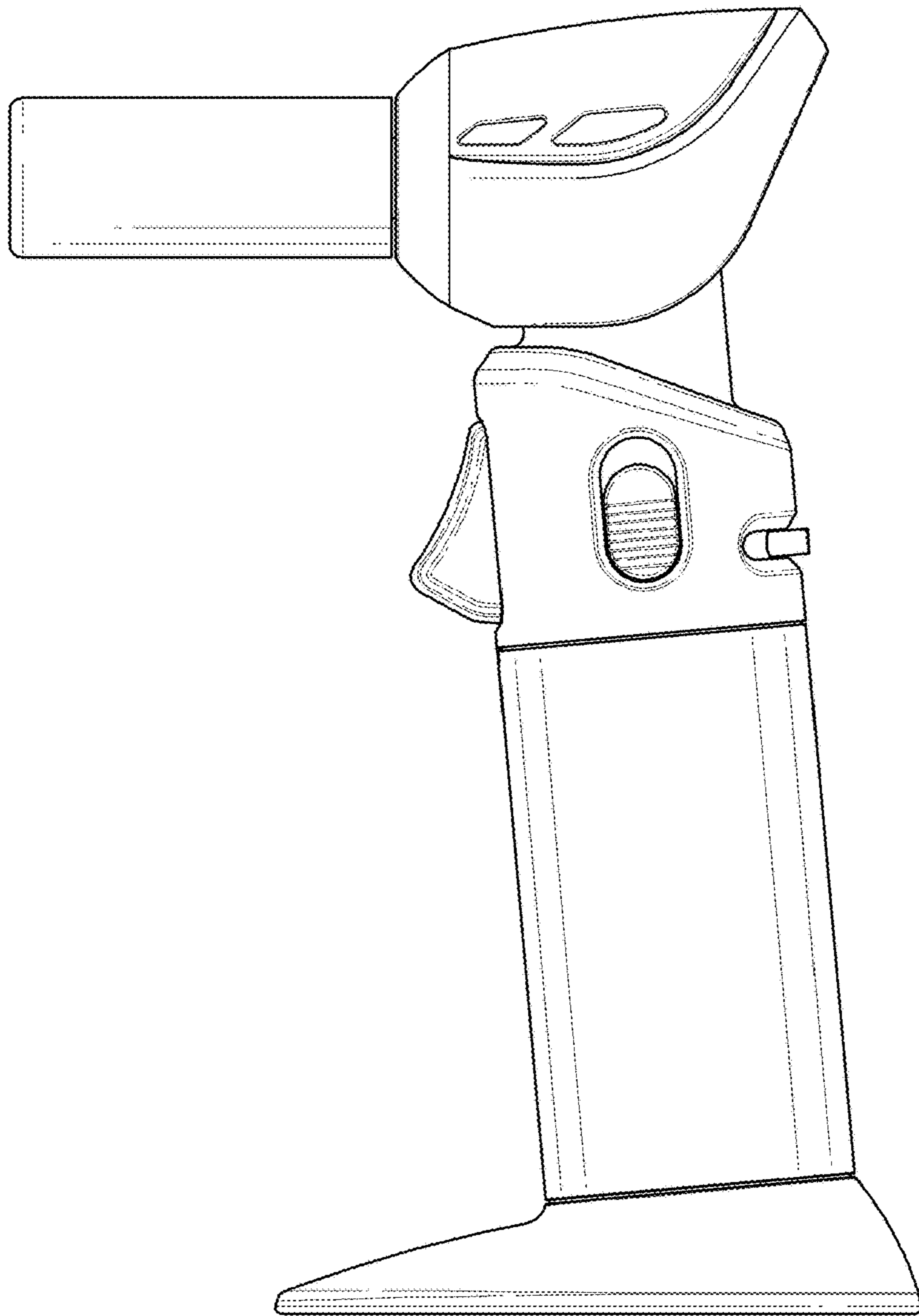


FIG. 6

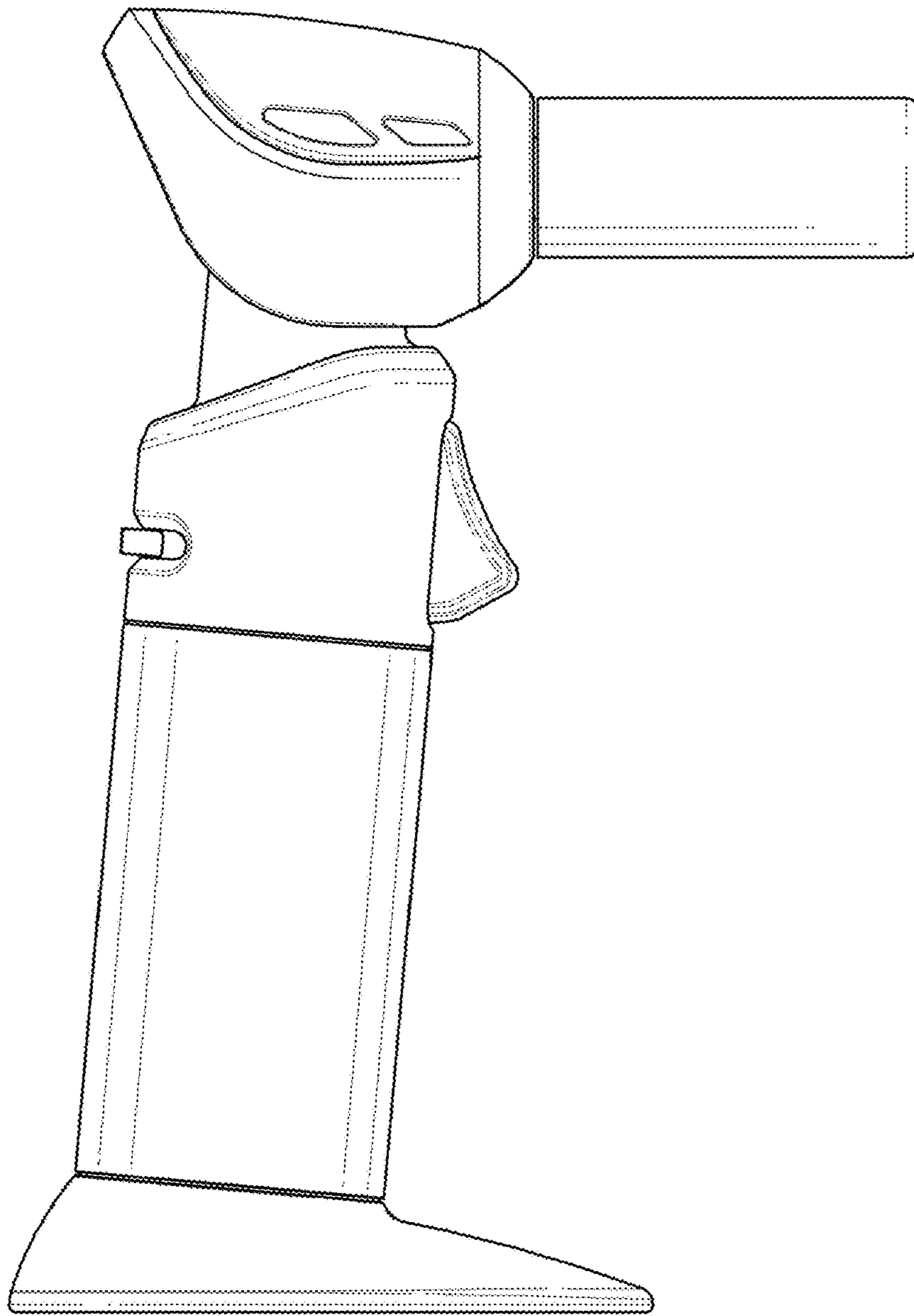


FIG. 7

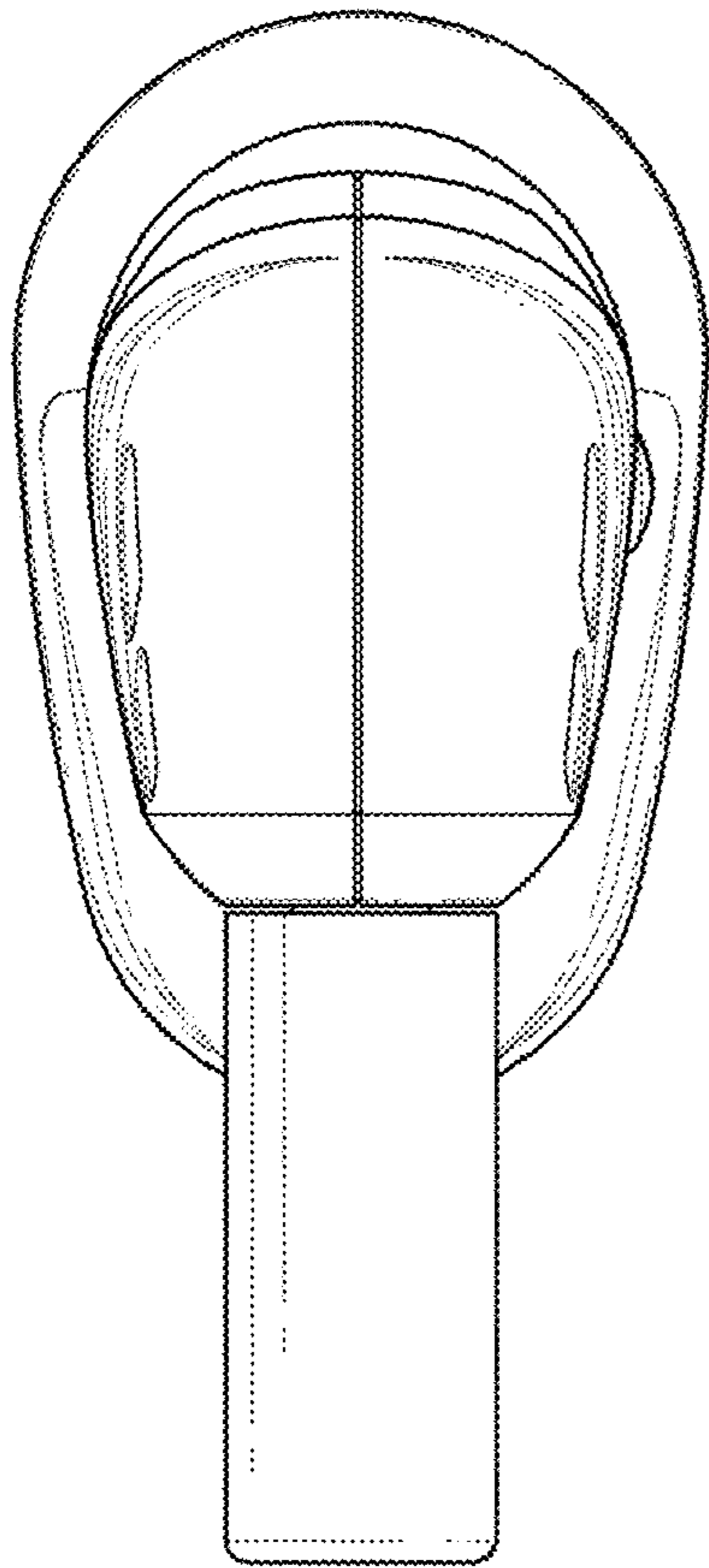


FIG. 8

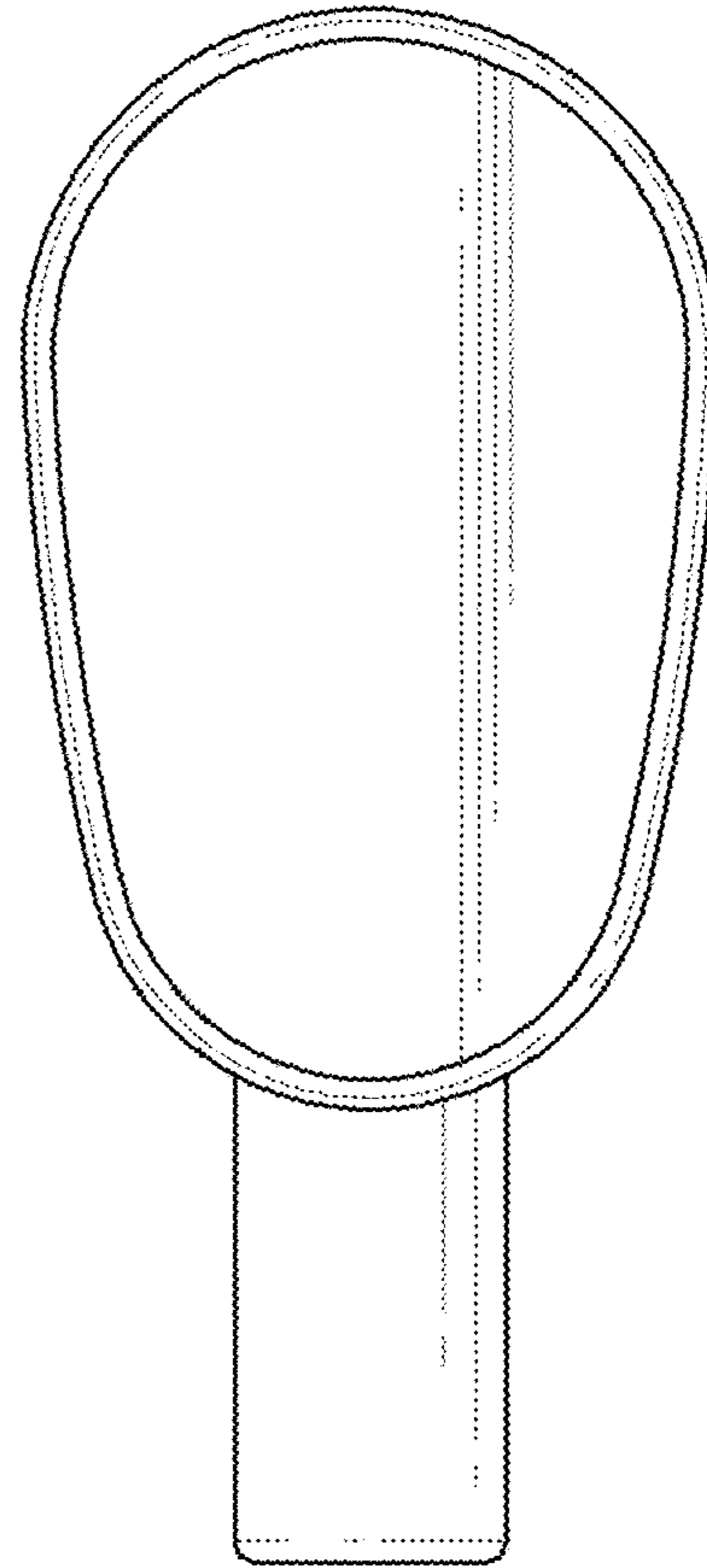


FIG. 9

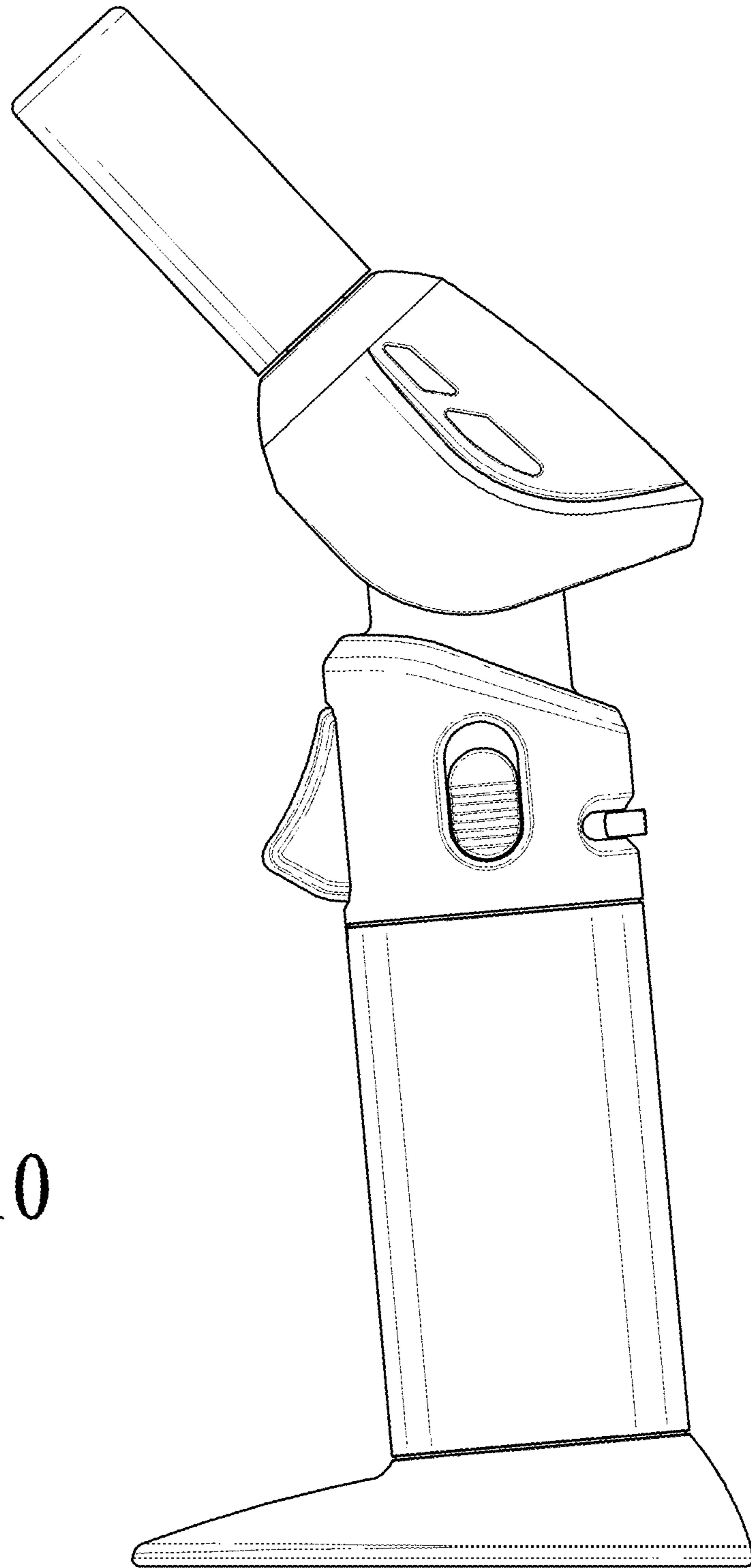


FIG. 10

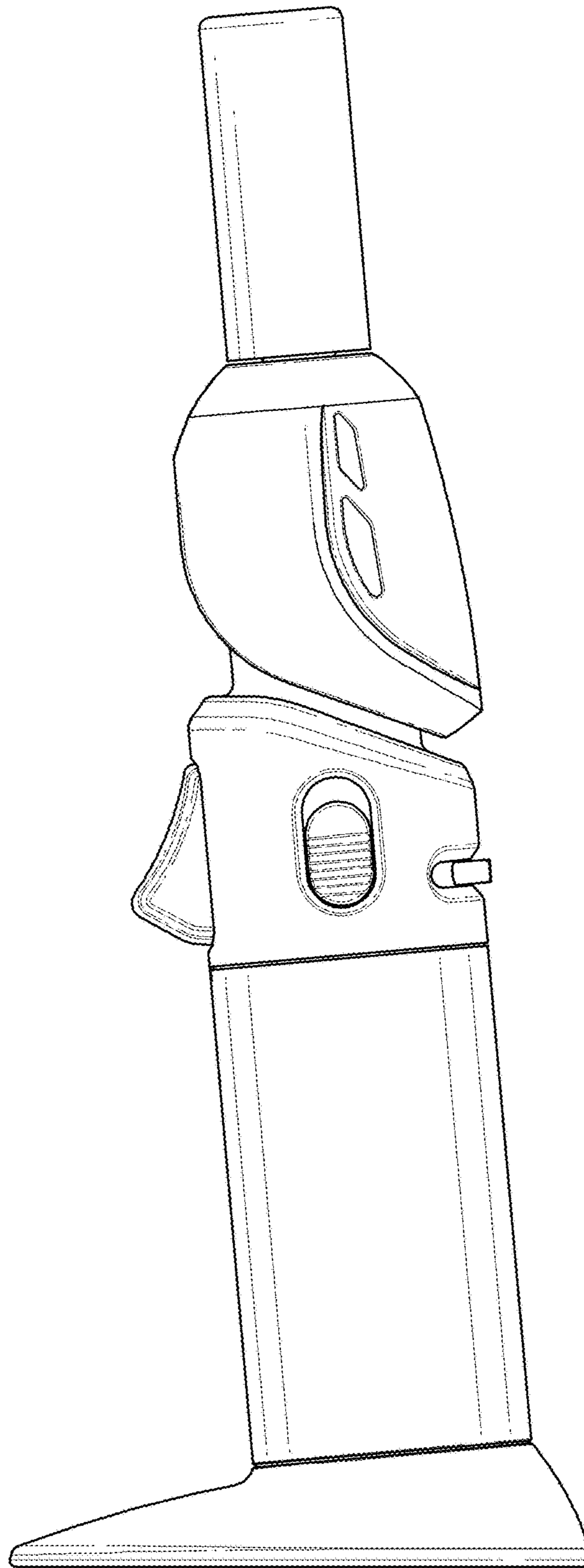


FIG. 11

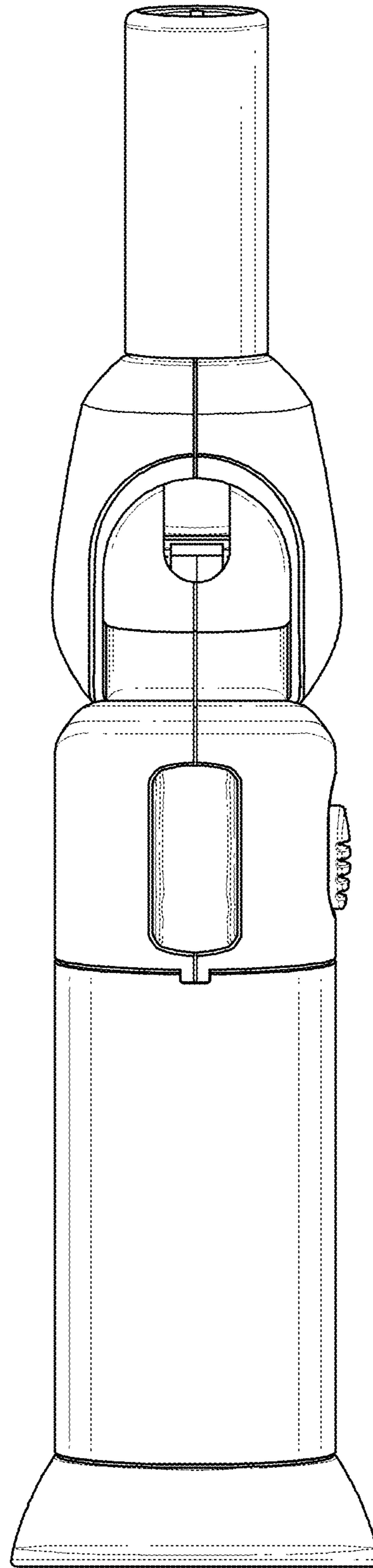


FIG. 12