



US00D847230S

(12) **United States Design Patent** (10) **Patent No.:** **US D847,230 S**
Deluccia, Jr. (45) **Date of Patent:** **** Apr. 30, 2019**

(54) **CARRIER POCKET FOR LONGITUDINALLY COMPRESSED TABLET**

(71) Applicant: **Ackley Machine Corporation**,
Moorestown, NJ (US)

(72) Inventor: **Vincent M. Deluccia, Jr.**, Riverside, NJ
(US)

(73) Assignee: **Ackley Machine Corporation**,
Moorestown, NJ (US)

(**) Term: **15 Years**

(21) Appl. No.: **29/630,956**

(22) Filed: **Dec. 26, 2017**

Related U.S. Application Data

(62) Division of application No. 29/570,467, filed on Jul. 8, 2016, now Pat. No. Des. 809,576.

(51) **LOC (11) Cl.** **15-03**

(52) **U.S. Cl.**
USPC **D15/138**

(58) **Field of Classification Search**
USPC D15/122-143
CPC B62D 55/211; B62D 55/213; B62D 55/2128; B62D 55/205; B62D 55/26; B62D 55/32; F16G 13/00; F16G 13/02; F16G 13/06; F16G 13/08
See application file for complete search history.

(56) **References Cited**

U.S. PATENT DOCUMENTS

- 2,566,678 A * 9/1951 Riegel C21D 9/0087 266/125
- 3,884,143 A 5/1975 Ackley
- 4,632,028 A 12/1986 Ackley
- D390,855 S 2/1998 Benson
- D432,341 S * 10/2000 Shimbo D6/515

- D482,963 S * 12/2003 Vincent D9/761
 - 7,102,741 B2 * 9/2006 Ackley, Jr. B23K 26/0838 356/237.1
 - D573,620 S * 7/2008 Walton D15/148
 - D603,885 S 11/2009 Ackley, Jr.
 - 7,995,083 B2 * 8/2011 Ackley, Jr. B41F 17/36 347/224
 - 8,102,520 B2 * 1/2012 Ackley, Jr. B07C 5/3412 356/237.1
 - 8,114,328 B2 * 2/2012 Sowden A23G 3/04 264/254
 - 8,122,849 B2 * 2/2012 Clarke A61J 3/00 118/668
 - D656,972 S * 4/2012 Ackley D15/138
- (Continued)

FOREIGN PATENT DOCUMENTS

CA 1298231 C 3/1992

OTHER PUBLICATIONS

U.S. Appl. No. 29/570,467, filed Jul. 8, 2016 for Carrier Link for Longitudinally Compressed Tablet (parent application).

Primary Examiner — Khawaja Anwar

(74) *Attorney, Agent, or Firm* — Nixon & Vanderhye P.C.

(57) **CLAIM**

The ornamental design for a carrier pocket for longitudinally compressed tablet, as shown.

DESCRIPTION

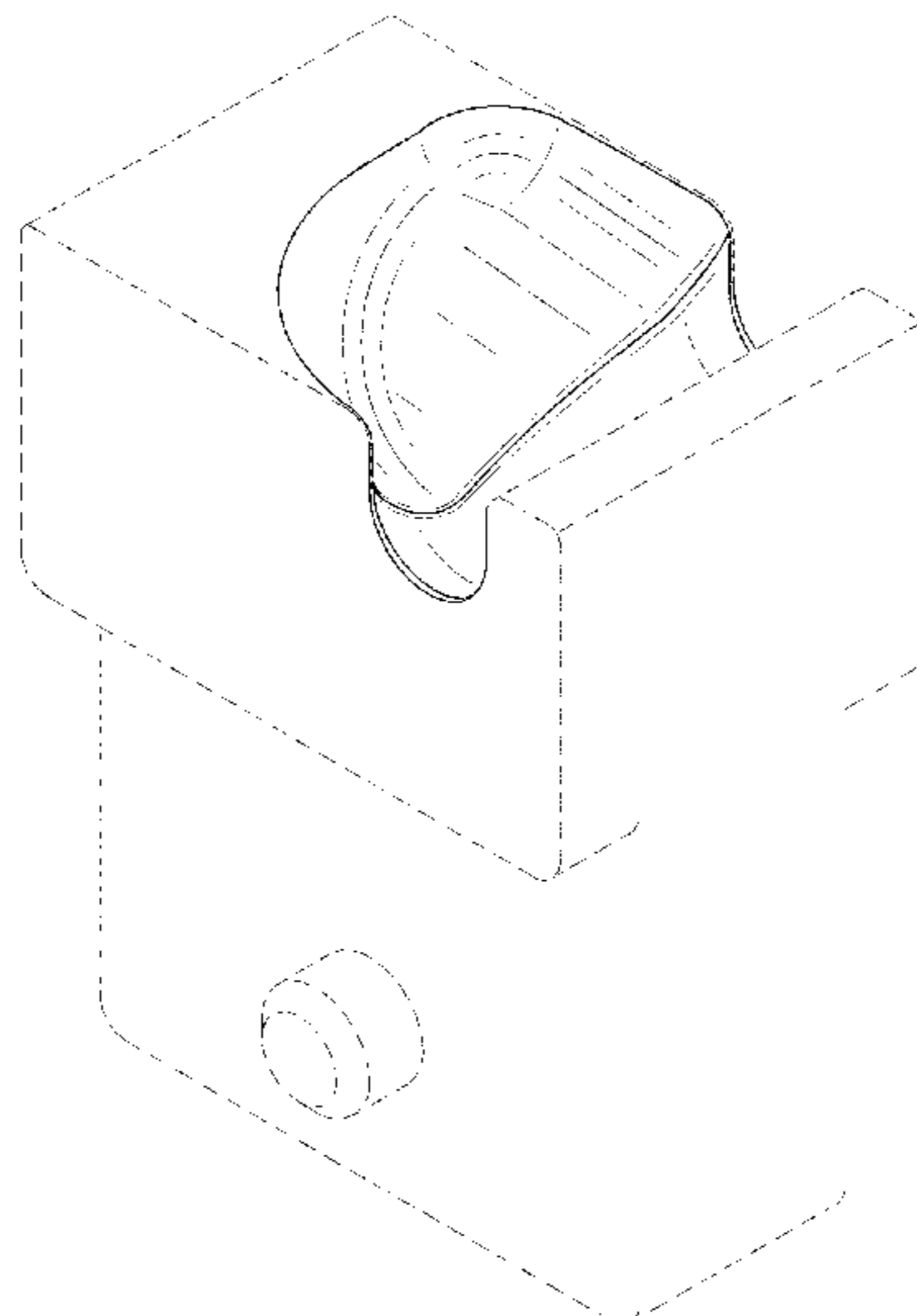
FIG. 1 is a perspective view of a carrier pocket for longitudinally compressed tablet according to a second embodiment showing my new ornamental design;

FIG. 2 is a top view thereof; and,

FIG. 3 is a right side view.

The broken line in the figure drawings represents unclaimed portions of a carrier pocket for longitudinally compressed tablet that form no parts of the claimed design.

1 Claim, 3 Drawing Sheets



(56)

References Cited

U.S. PATENT DOCUMENTS

8,220,619 B2 *	7/2012	Ackley	B65G 47/34 198/483.1	2006/0017323 A1 *	1/2006	Wodrich	B62D 55/12 305/202
D665,826 S *	8/2012	Clarke	D15/28	2008/0028955 A1 *	2/2008	Bauer	B41F 15/26 101/44
8,336,970 B2 *	12/2012	Johannsen	B62D 55/21 305/198	2008/0047803 A1 *	2/2008	Ackley, Jr.	B65G 47/24 198/406
8,373,081 B2 *	2/2013	Ackley	B07C 5/3422 209/580	2008/0217994 A1 *	9/2008	McRae	B62D 55/14 305/199
8,381,896 B2 *	2/2013	Ackley	B65G 47/82 198/340	2009/0026836 A1 *	1/2009	Maeda	B62D 55/205 305/198
8,413,789 B2 *	4/2013	Cassoni	B67B 3/0645 198/380	2009/0102281 A1 *	4/2009	Diekevers	B62D 55/145 305/104
8,646,591 B2 *	2/2014	De Ruijter	A61J 3/007 198/397.01	2010/0007206 A1 *	1/2010	Wodrich	B22D 19/08 305/198
8,671,650 B2 *	3/2014	Van Goolen	A61J 3/07 53/281	2010/0133898 A1 *	6/2010	Johannsen	B62D 55/0966 305/137
D713,866 S *	9/2014	Ackley	D15/138	2010/0139993 A1 *	6/2010	Sebright	B62D 55/21 180/6.7
D719,588 S *	12/2014	Meyer	D15/28	2010/0141005 A1 *	6/2010	Mackert	A47C 7/38 297/354.12
D725,163 S *	3/2015	Ackley	D15/138	2010/0141027 A1 *	6/2010	Fischer	B62D 55/26 305/191
9,096,390 B2 *	8/2015	Ackley	B07C 5/00	2010/0252401 A1 *	10/2010	Ackley, Jr.	B65G 17/44 198/617
D751,609 S *	3/2016	Meyer	D15/28	2014/0001822 A1 *	1/2014	Thorson	B62D 55/08 305/124
D767,641 S	9/2016	Knobloch		2014/0001827 A1 *	1/2014	Kaufmann	B62D 55/10 305/137
9,440,801 B1 *	9/2016	Ramnarain	B65G 47/1428	2014/0001828 A1 *	1/2014	Meyer	B62D 55/14 305/137
D802,633 S *	11/2017	Carstens	D15/128	2014/0001830 A1 *	1/2014	Meyer	B62D 55/211 305/187
D804,538 S *	12/2017	Brooks	D15/28	2014/0001831 A1 *	1/2014	Thorson	B62D 55/211 305/187
D809,576 S *	2/2018	DeLuccia, Jr.	D15/138					
D823,349 S *	7/2018	Hakes	D15/28					
D824,967 S *	8/2018	Getto	D15/143					
2003/0090151 A1 *	5/2003	Takeno	B62D 55/21 305/185					
2003/0122425 A1 *	7/2003	Banerjee	B62D 55/20 305/201					
2005/0040708 A1 *	2/2005	Yamamoto	B62D 55/21 305/202					

* cited by examiner

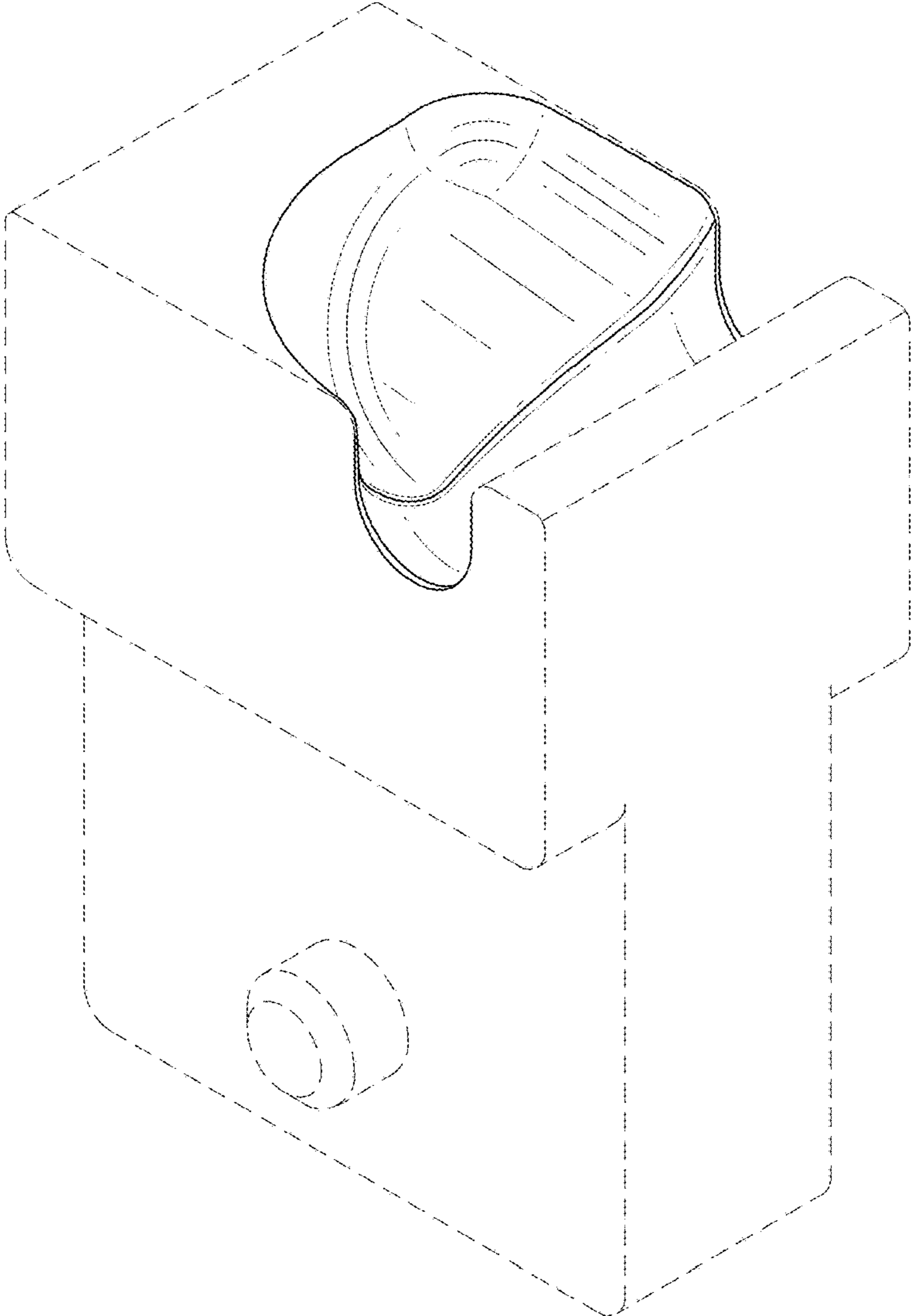


Fig. 1

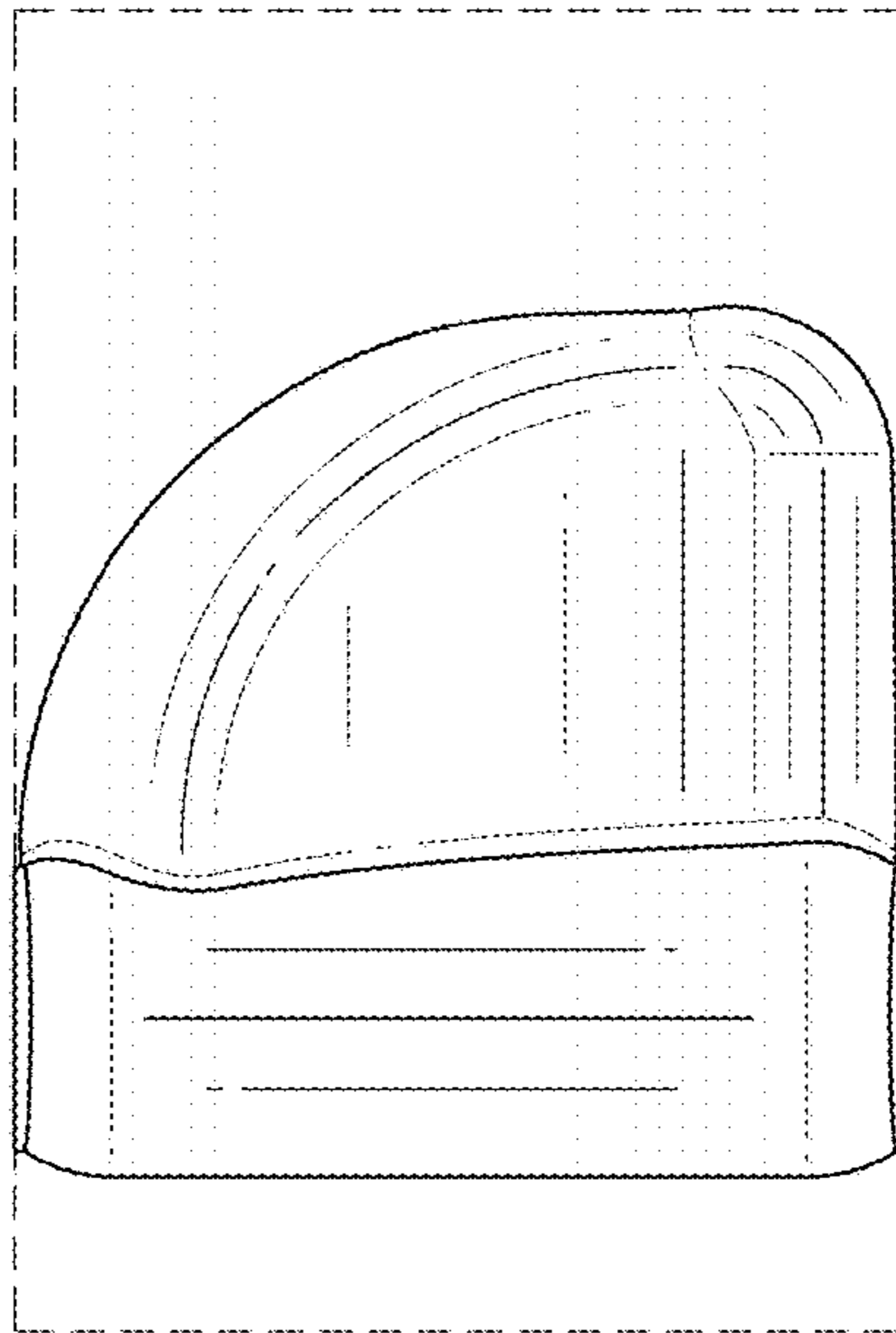


Fig. 2

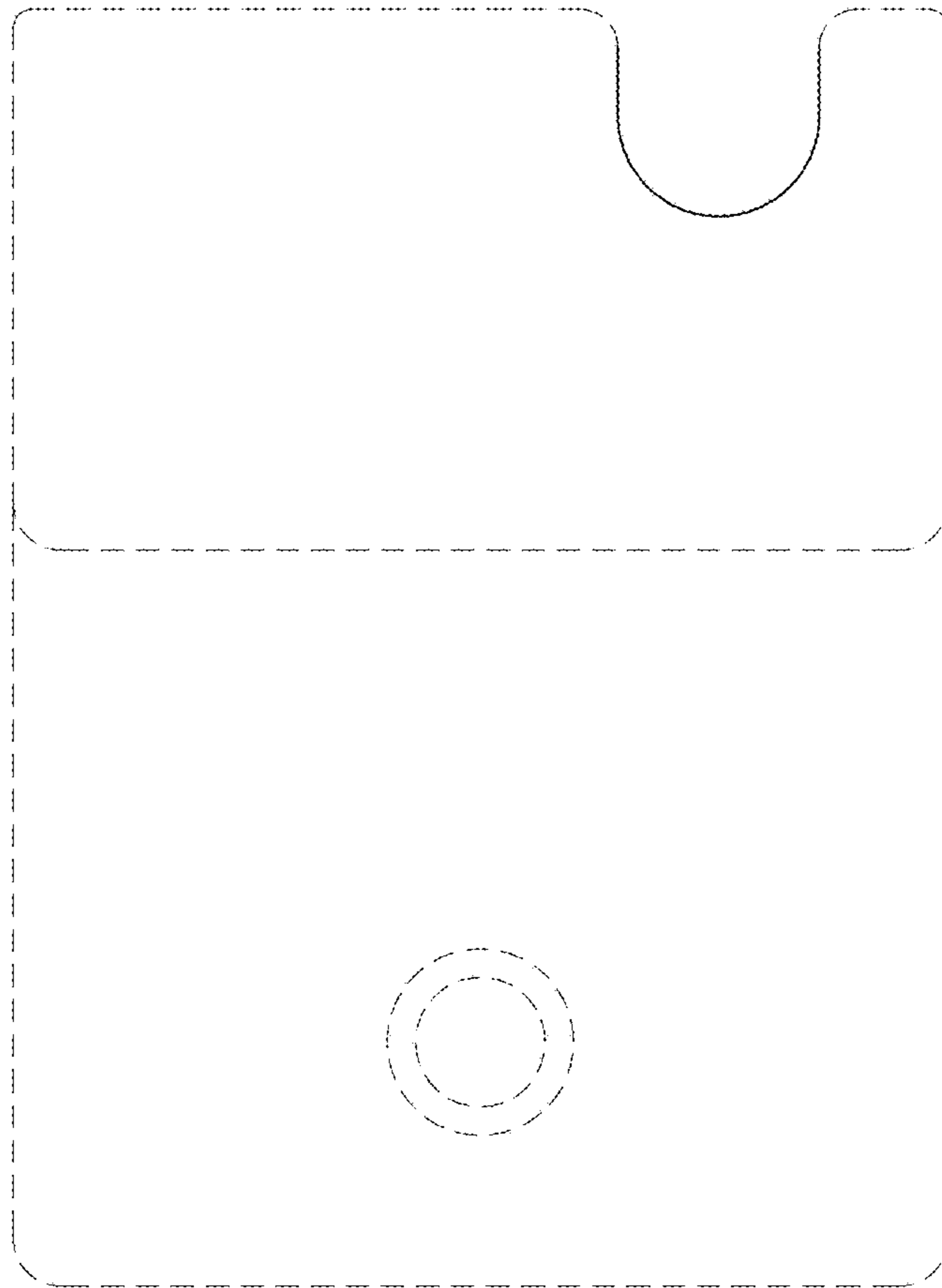


Fig. 3