



US00D847226S

(12) **United States Design Patent** (10) **Patent No.:** **US D847,226 S**
Owens et al. (45) **Date of Patent:** **** Apr. 30, 2019**

(54) **VACUUM SEALER**

B29C 66/91231; B29C 66/91431; B29C 66/9161; B29C 66/919; B29C 66/91933; B29C 66/934; B29C 66/961

(71) Applicant: **Sunbeam Products, Inc.**, Boca Raton, FL (US)

See application file for complete search history.

(72) Inventors: **David Owens**, Boynton Beach, FL (US); **Adam Day**, Boynton Beach, FL (US); **Jason Harris**, Boca Raton, FL (US)

(56) **References Cited**

U.S. PATENT DOCUMENTS

(73) Assignee: **Sunbeam Products, Inc.**, Boca Raton, FL (US)

D608,803	S	*	1/2010	Hageman	D15/146
D609,237	S	*	2/2010	Romanoff	D14/422
D640,299	S	*	6/2011	Day	D15/146
D658,694	S	*	5/2012	Day	D15/146
D694,792	S	*	12/2013	Day	D15/146
D706,846	S	*	6/2014	Rim	D15/145
9,422,073	B2	*	8/2016	Picozza	B65B 31/04
D773,543	S	*	12/2016	Fan	D15/146
D788,199	S	*	5/2017	Owens	D15/146
D789,431	S	*	6/2017	Owens	D15/146
2004/0065051	A1	*	4/2004	Patterson	B65B 31/046 53/432

(**) Term: **15 Years**

(21) Appl. No.: **29/607,834**

(22) Filed: **Jun. 16, 2017**

(51) **LOC (11) Cl.** **15-03**

(52) **U.S. Cl.**
USPC **D15/134**

(58) **Field of Classification Search**
USPC D15/145, 146; D7/609; D18/50
CPC B29C 66/71; B29C 66/7212; B29C 66/43121; B29C 66/73921; B29C 37/04; B29C 47/025; B29C 65/02; B29C 65/04; B29C 65/08; B29C 65/10; B29C 65/14; B29C 65/16; B29C 65/18; B29C 65/20; B29C 65/305; B29C 65/48; B29C 65/4895; B29C 65/787; B29C 65/7873; B29C 66/1122; B29C 66/137; B29C 66/3262; B29C 66/344; B29C 66/3452; B29C 66/43; B29C 66/431; B29C 66/4322; B29C 66/7352; B29C 66/81423; B29C 66/81431; B29C 66/8167; B29C 66/8223; B29C 66/8266; B29C 66/8322; B29C 66/83411; B29C 66/836; B29C 66/84123; B29C 66/849; B29C 66/91212;

* cited by examiner

Primary Examiner — Khawaja Anwar

(57) **CLAIM**

The ornamental design for the vacuum sealer, as shown and described.

DESCRIPTION

FIG. 1 is a front perspective view of the vacuum sealer; FIG. 2 is a front view thereof; FIG. 3 is a rear view thereof; FIG. 4 is left side view thereof; FIG. 5 is a right side view thereof; and, FIG. 6 is a top view thereof. The broken lines depict portions of the vacuum sealer that form no part of the claimed design.

1 Claim, 2 Drawing Sheets

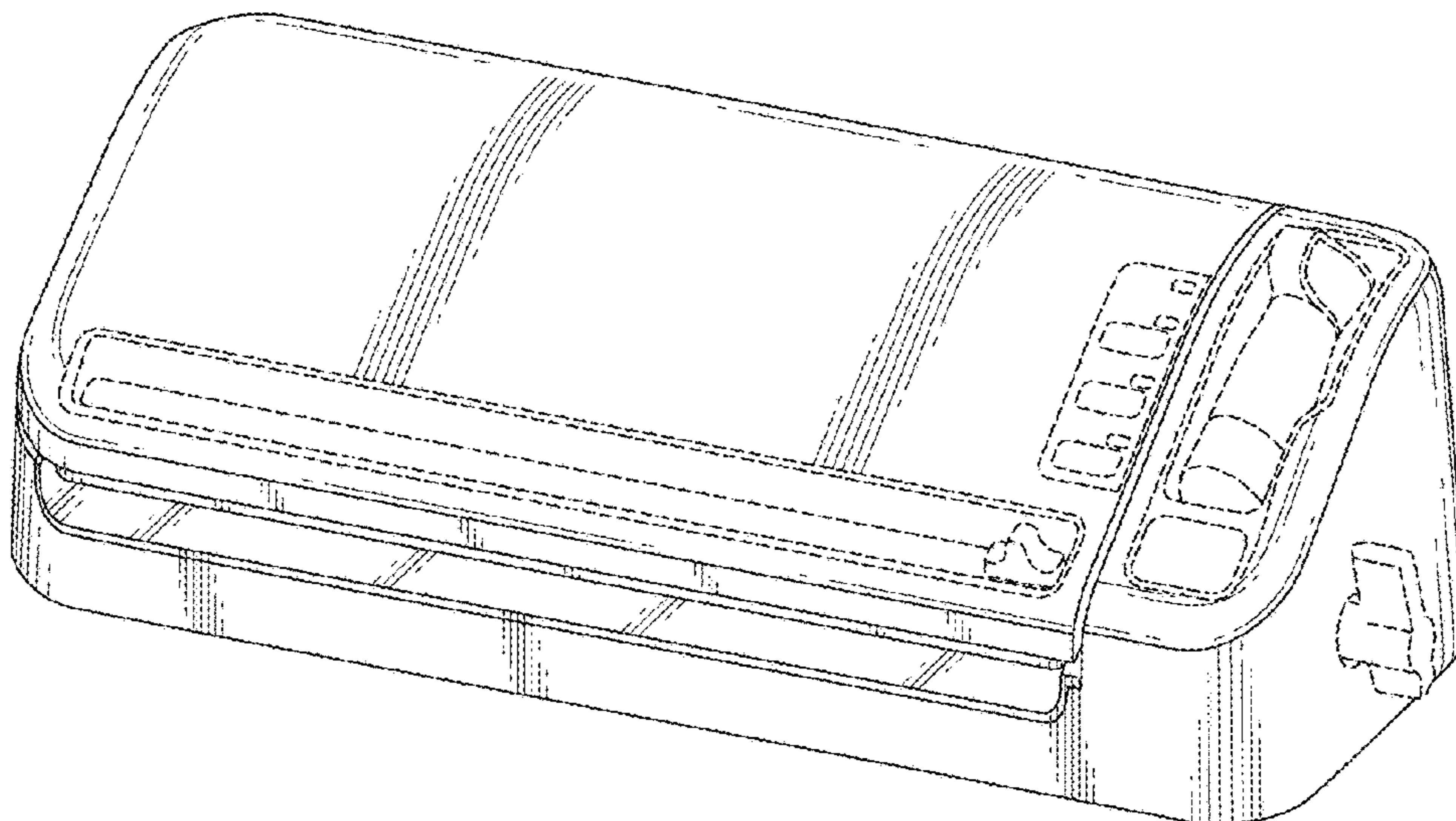


FIG. 1

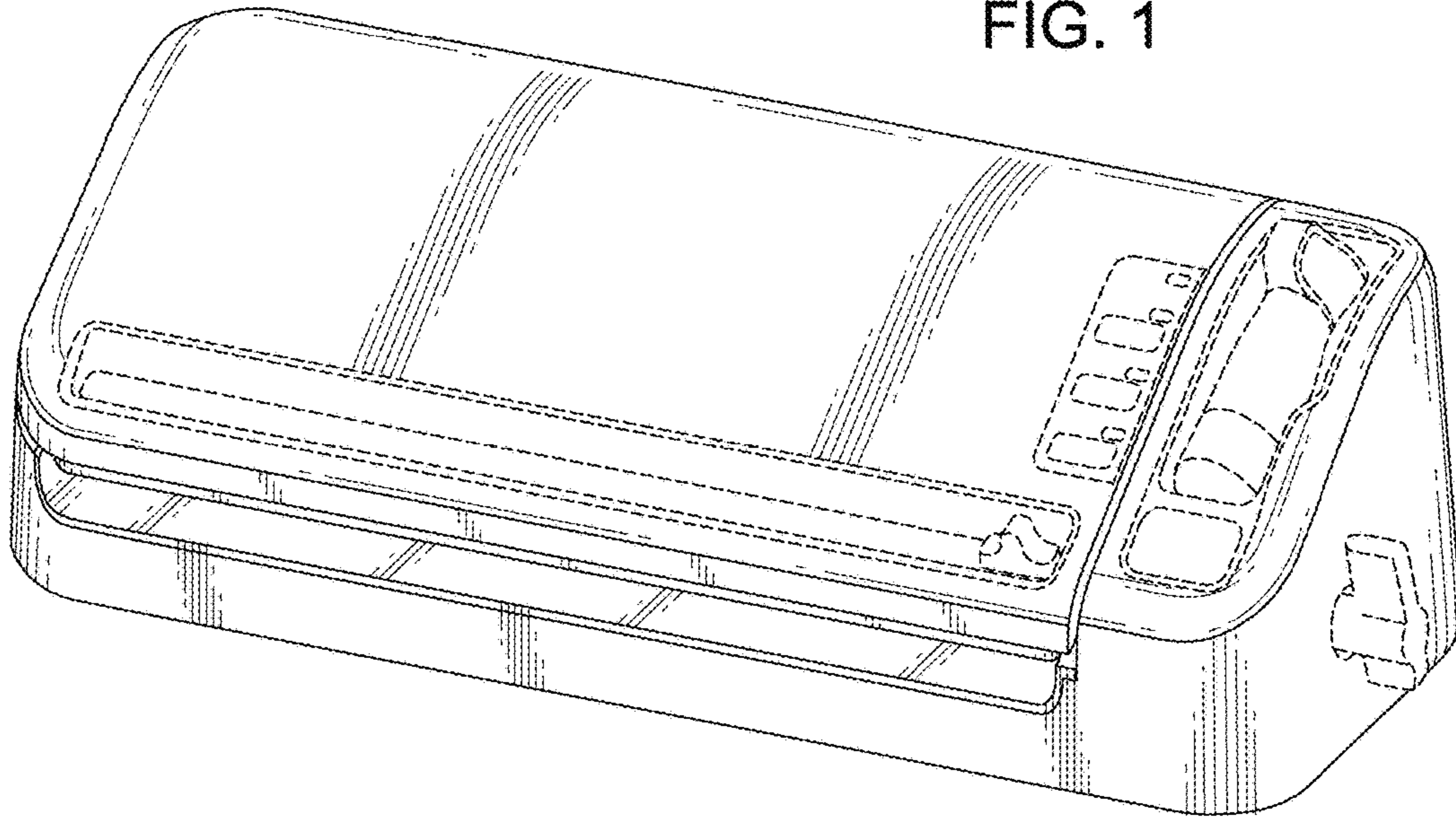


FIG. 2

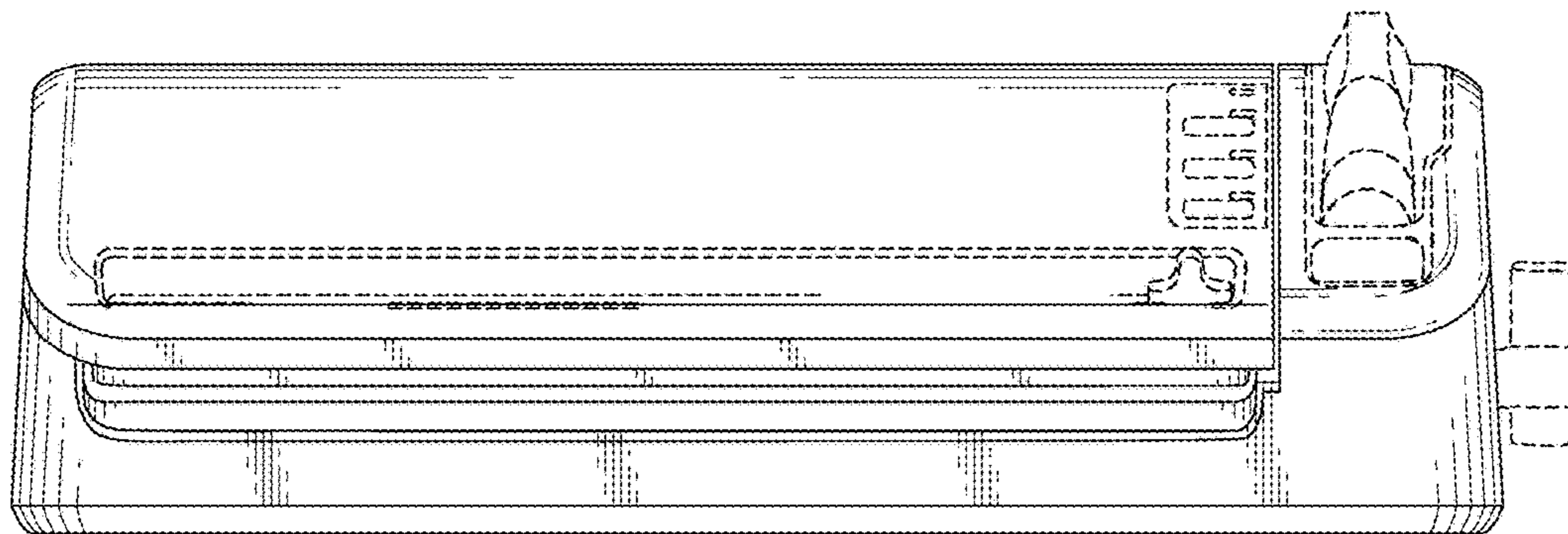


FIG. 3

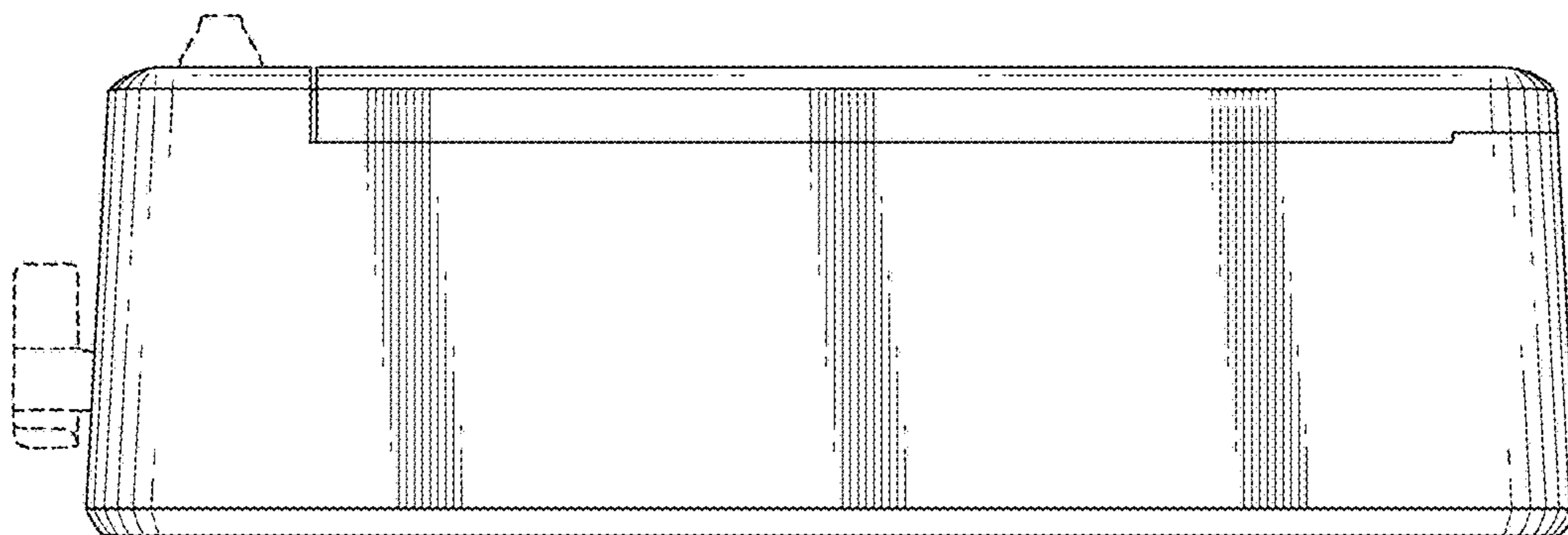


FIG. 4

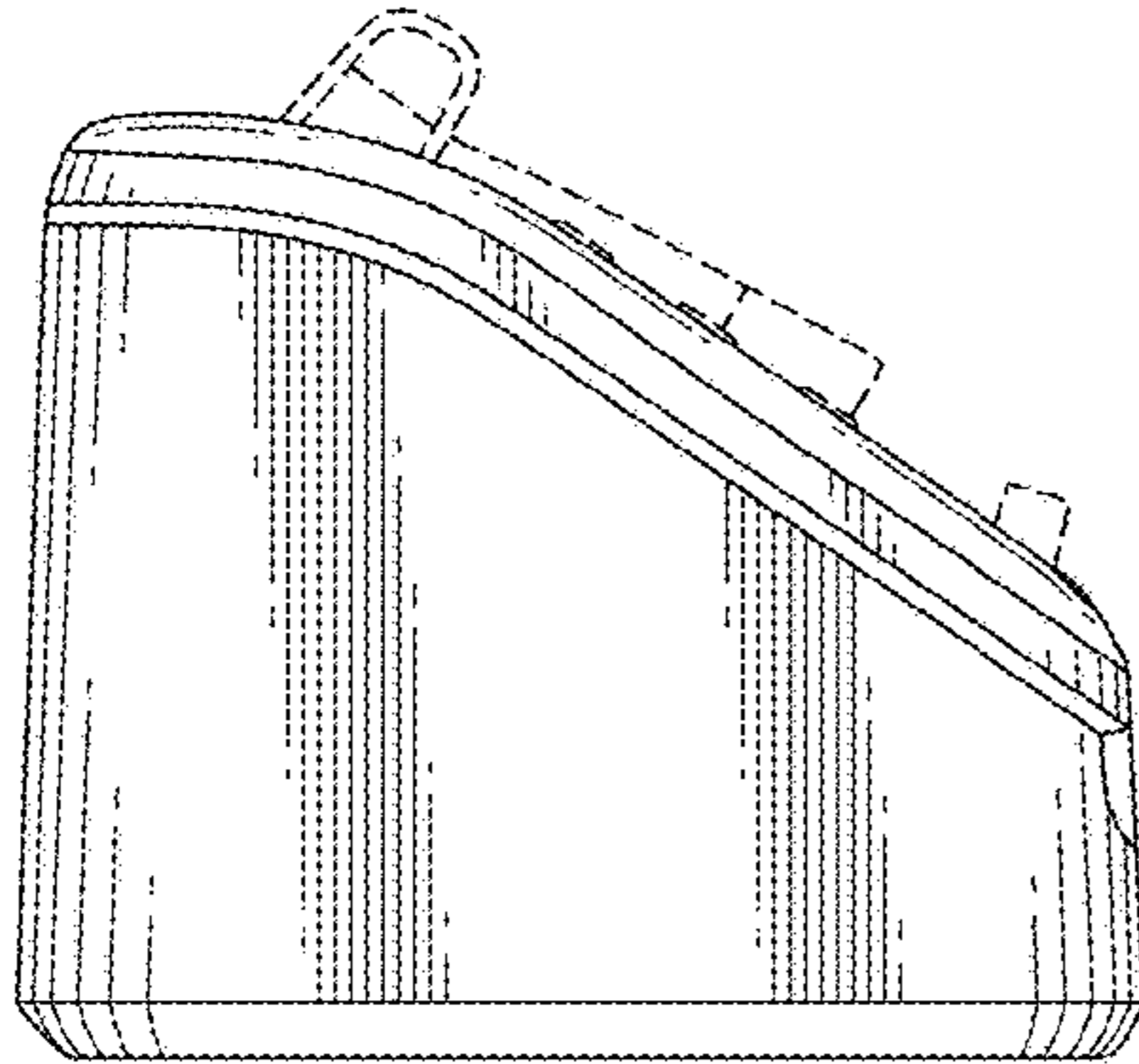


FIG. 5

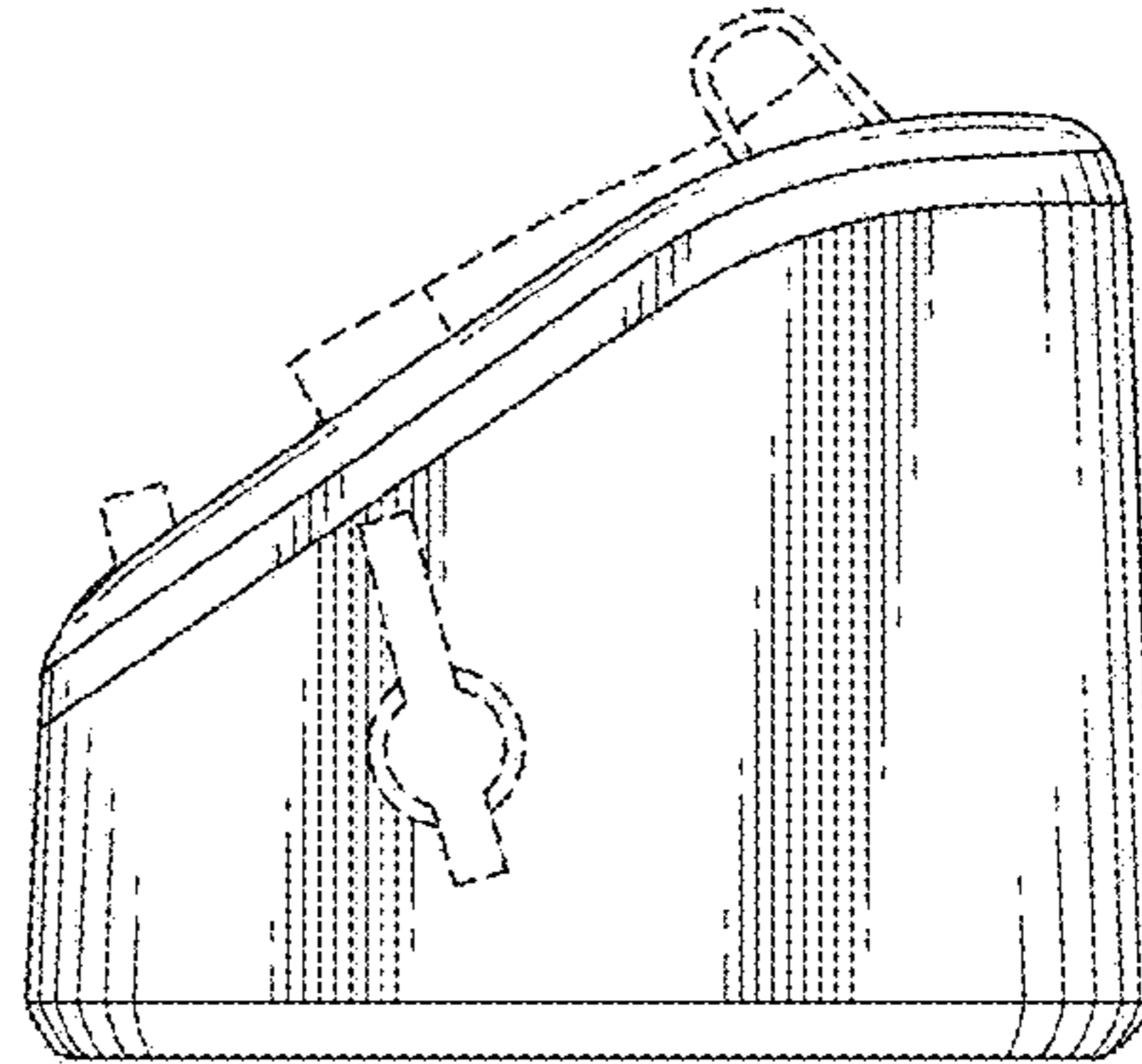


FIG. 6

