



US00D847223S

(12) **United States Design Patent**  
**Bartolo**

(10) **Patent No.:** **US D847,223 S**  
(45) **Date of Patent:** **\*\* Apr. 30, 2019**

(54) **MANIFOLD**

(71) Applicant: **Mebrom Research & Development Pty Ltd**, Port Adelaide, South Australia (AU)

(72) Inventor: **Kevin Robert Bartolo**, North Haven South (AU)

(73) Assignee: **Mebrom Research & Development Pty Ltd**, Port Adelaide SA (AU)

(\*\*) Term: **15 Years**

(21) Appl. No.: **29/596,455**

(22) Filed: **Mar. 8, 2017**

(30) **Foreign Application Priority Data**

Sep. 15, 2016 (AU) ..... 201615207

(51) **LOC (11) Cl.** ..... **15-09**

(52) **U.S. Cl.**  
USPC ..... **D15/122**

(58) **Field of Classification Search**  
USPC ..... D15/122, 138, 199; D23/123, 362, 366  
CPC ..... A01K 55/00; A01M 1/2088; A01M 2200/012; Y10S 261/88

See application file for complete search history.

(56) **References Cited**

**U.S. PATENT DOCUMENTS**

- 1,371,801 A \* 3/1921 Mayes ..... A01K 55/00  
422/305
- 1,386,125 A \* 8/1921 Loeb ..... A01M 13/00  
43/127
- 1,491,506 A \* 4/1924 Wormley ..... A01M 1/2066  
422/305

- 1,640,026 A \* 8/1927 Burt ..... A01M 13/00  
239/59
- 1,819,562 A \* 8/1931 Lafayette ..... A01M 13/00  
422/119
- 1,908,054 A \* 5/1933 Riley ..... A01M 13/00  
392/391
- 1,908,055 A \* 5/1933 Riley ..... A01M 13/00  
128/203.27
- 2,400,674 A \* 5/1946 Williams ..... A01K 51/00  
449/52
- 2,937,419 A \* 5/1960 Vaughn ..... A01M 13/00  
261/DIG. 65
- 3,326,114 A \* 6/1967 Wolfe ..... A01K 43/005  
392/394
- 3,554,688 A \* 1/1971 Cassidy ..... A61L 2/22  
422/294
- 3,778,924 A \* 12/1973 Okui ..... A01M 1/2088  
392/390
- D246,052 S \* 10/1977 Hatai ..... D23/366
- D309,657 S \* 7/1990 Park ..... D22/120
- D383,520 S \* 9/1997 Gatzemeyer ..... D22/119
- 2016/0338336 A1 \* 11/2016 Aylett ..... A01M 13/006

\* cited by examiner

*Primary Examiner* — Patricia A Palasik

(74) *Attorney, Agent, or Firm* — Crain Caton and James

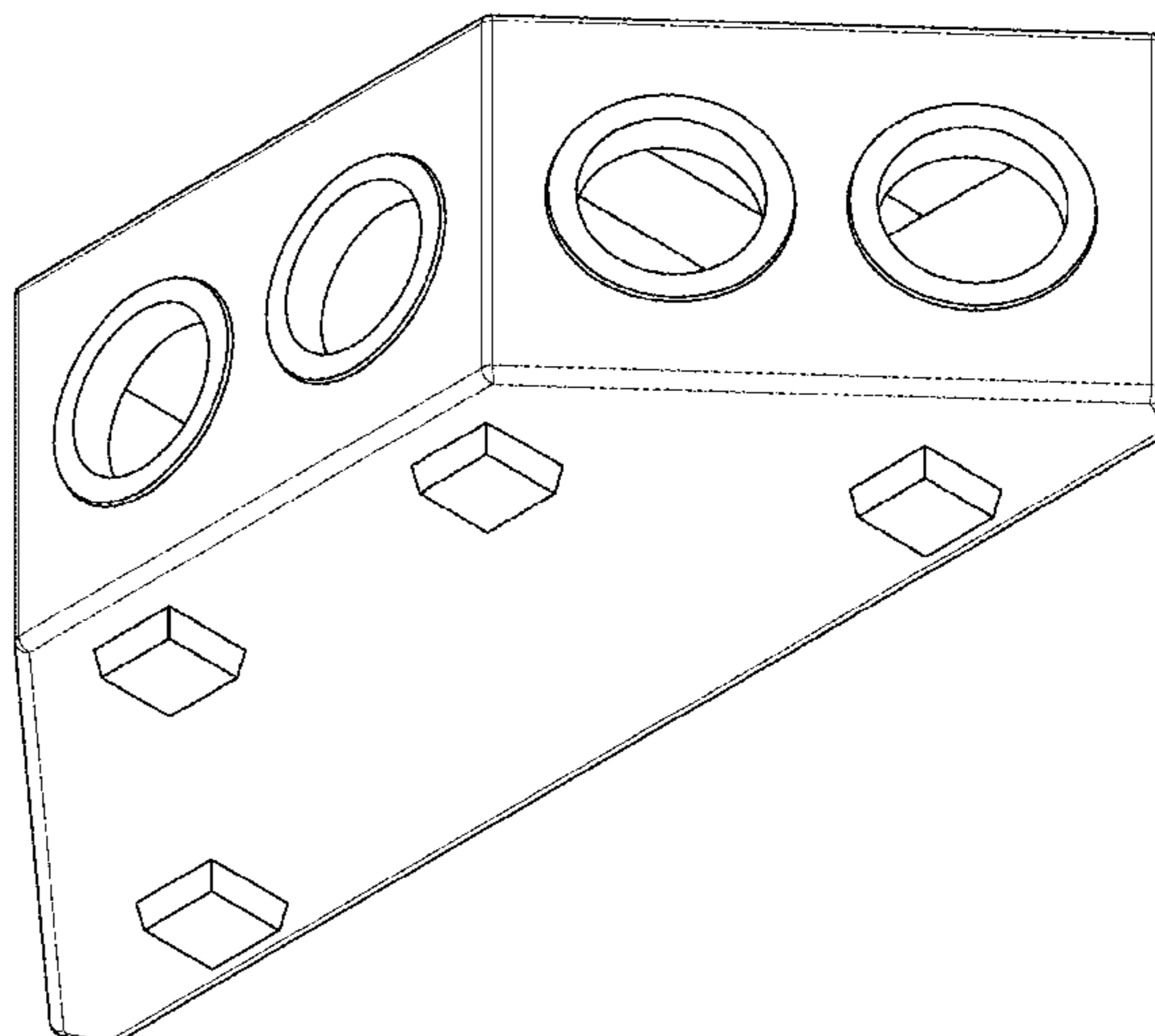
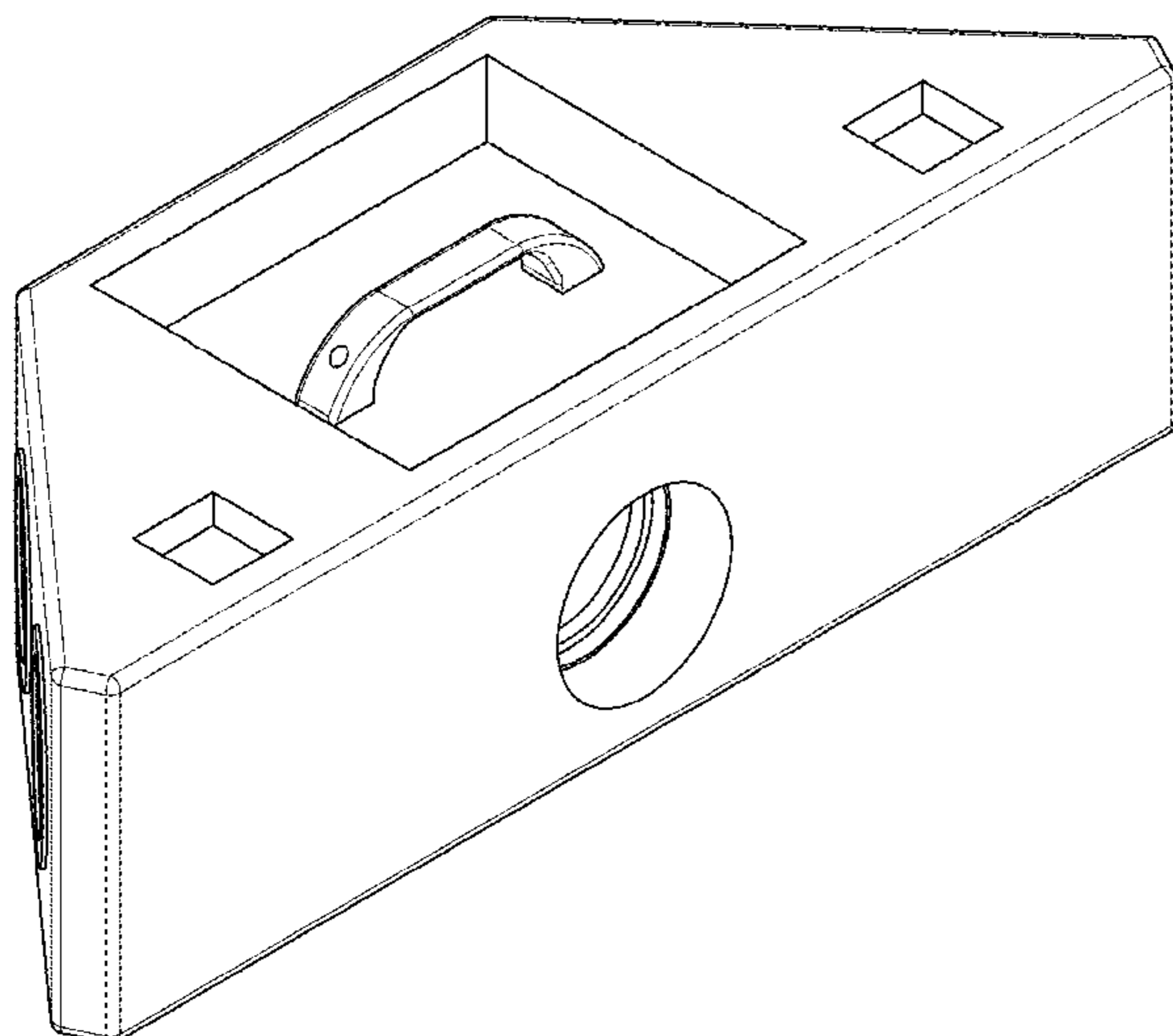
(57) **CLAIM**

The ornamental design for a manifold, as shown and described.

**DESCRIPTION**

FIG. 1 is a top front perspective view of a manifold;  
FIG. 2 is a bottom back perspective view thereof;  
FIG. 3 is a top view thereof;  
FIG. 4 is a front view thereof;  
FIG. 5 is a left side view thereof;  
FIG. 6 is a right side view thereof; and,  
FIG. 7 is a bottom view thereof.

**1 Claim, 4 Drawing Sheets**



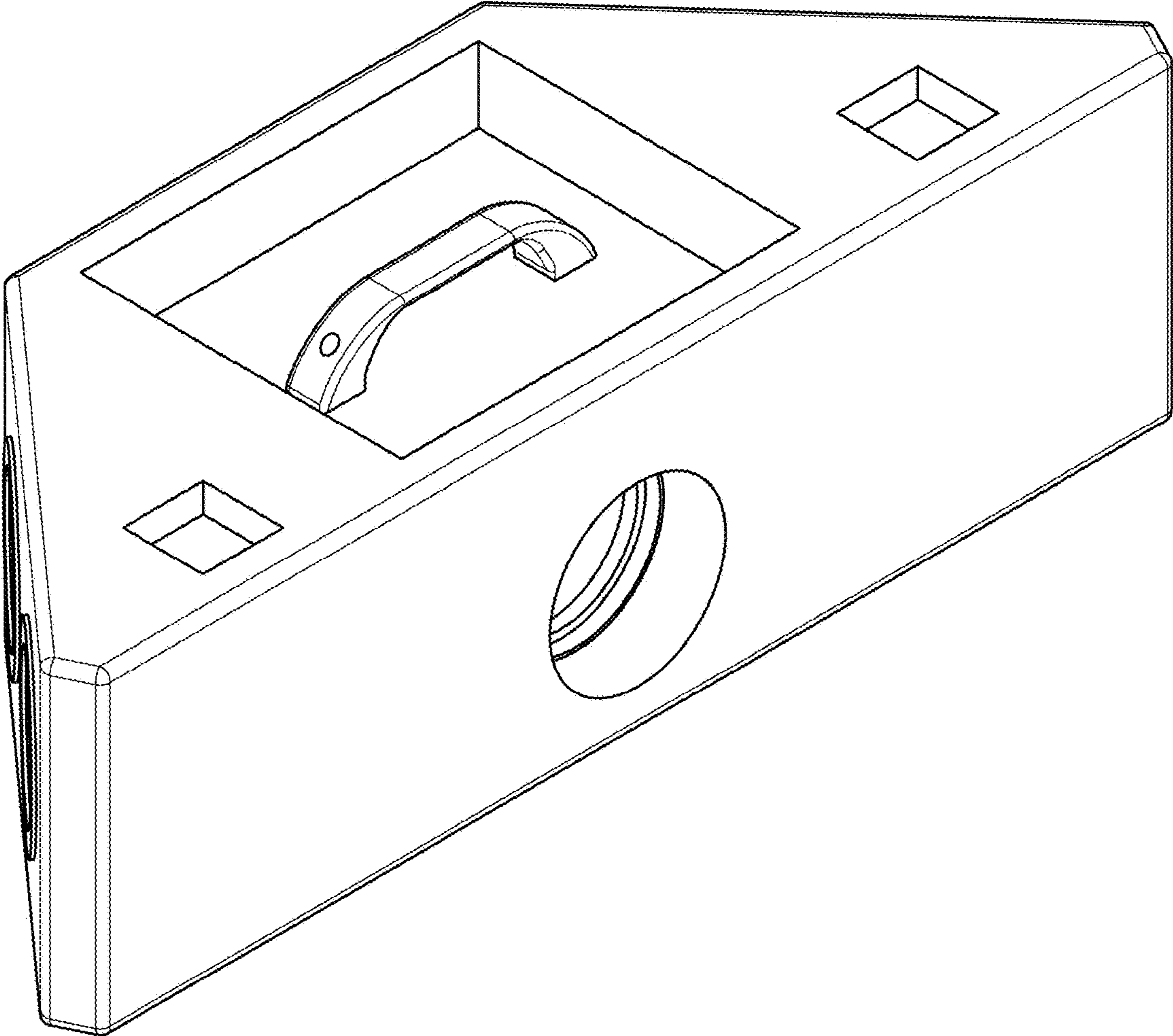


FIG. 1

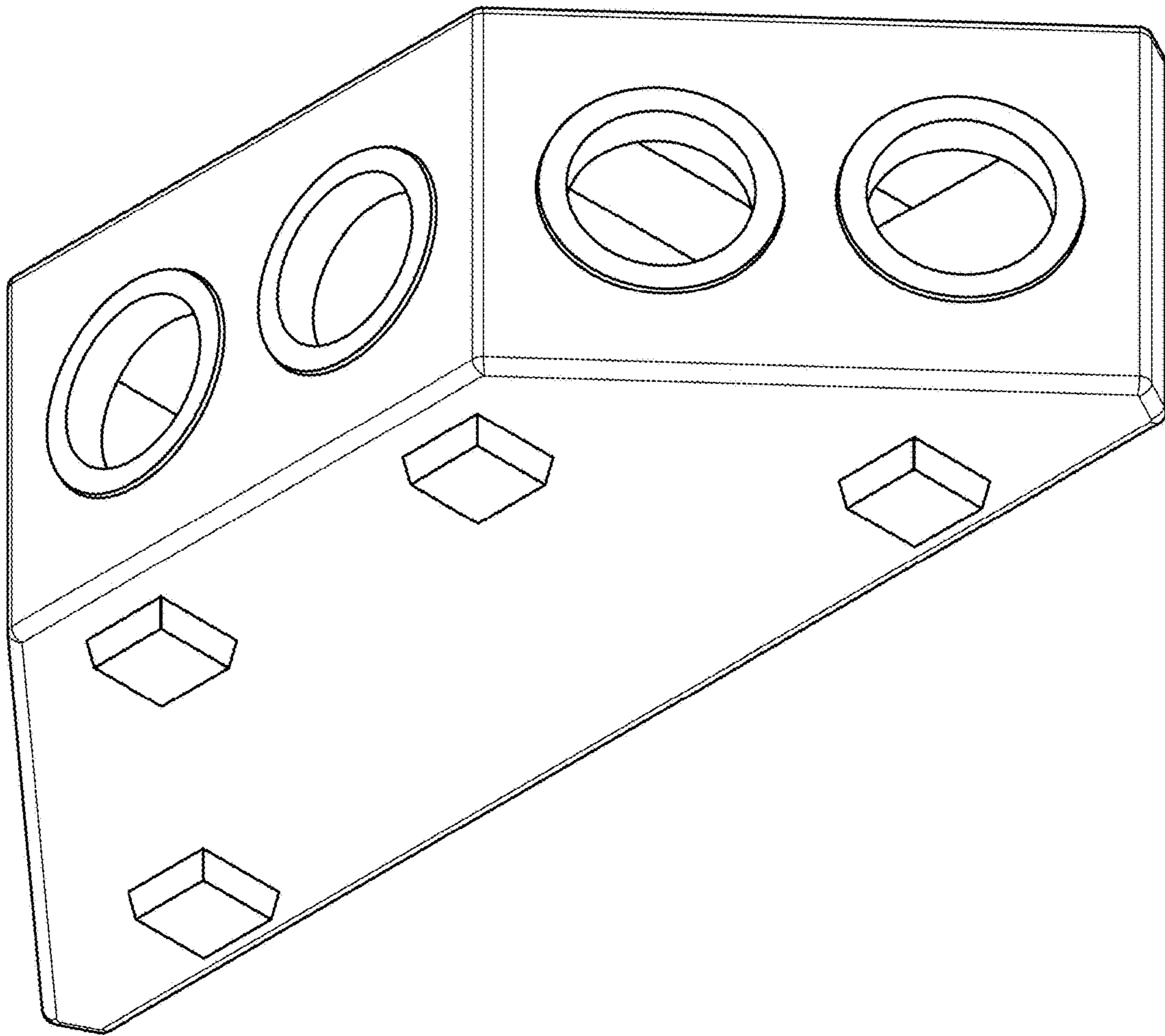


FIG. 2

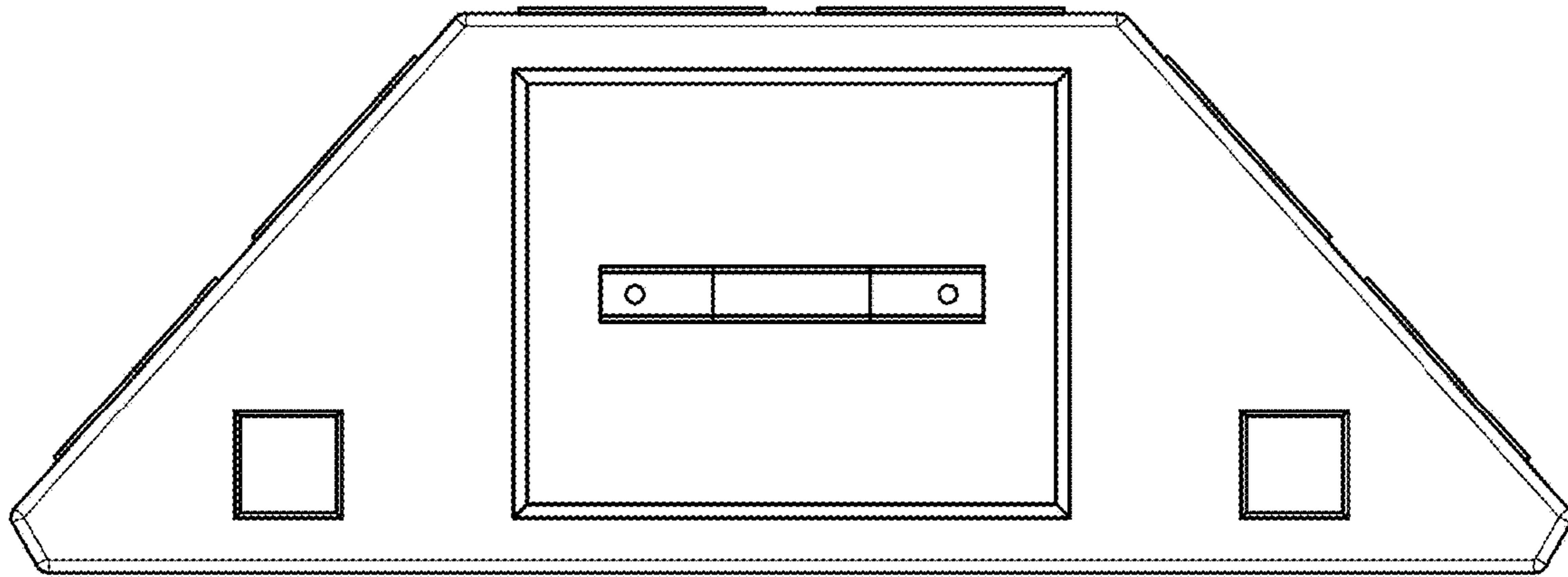


FIG. 3

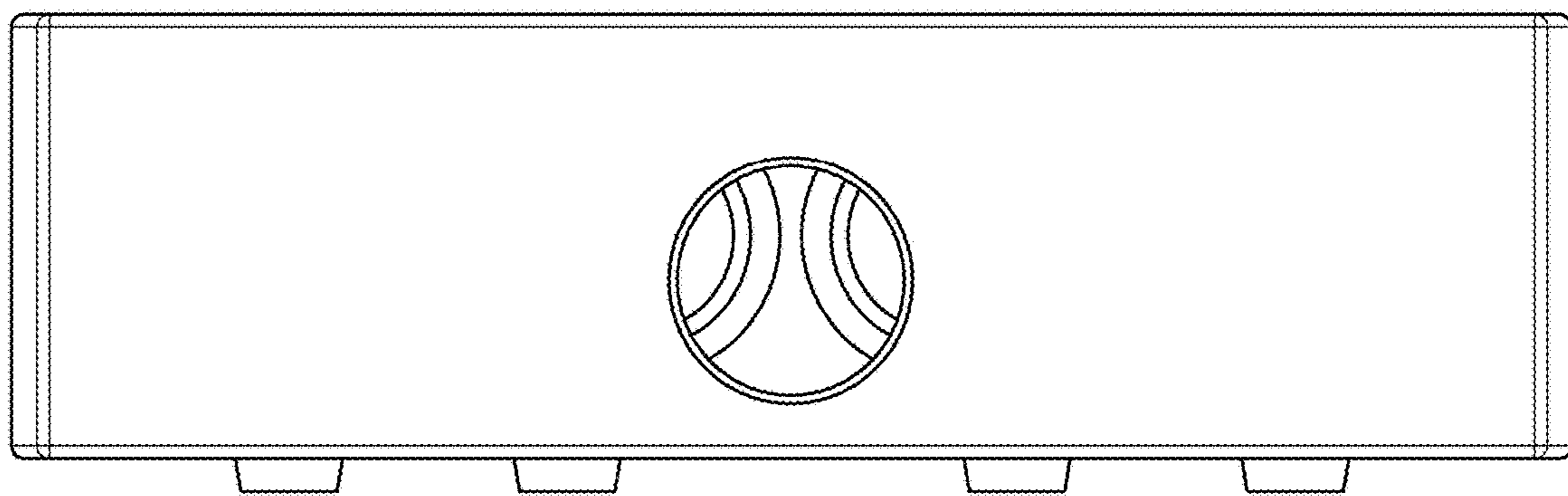


FIG. 4

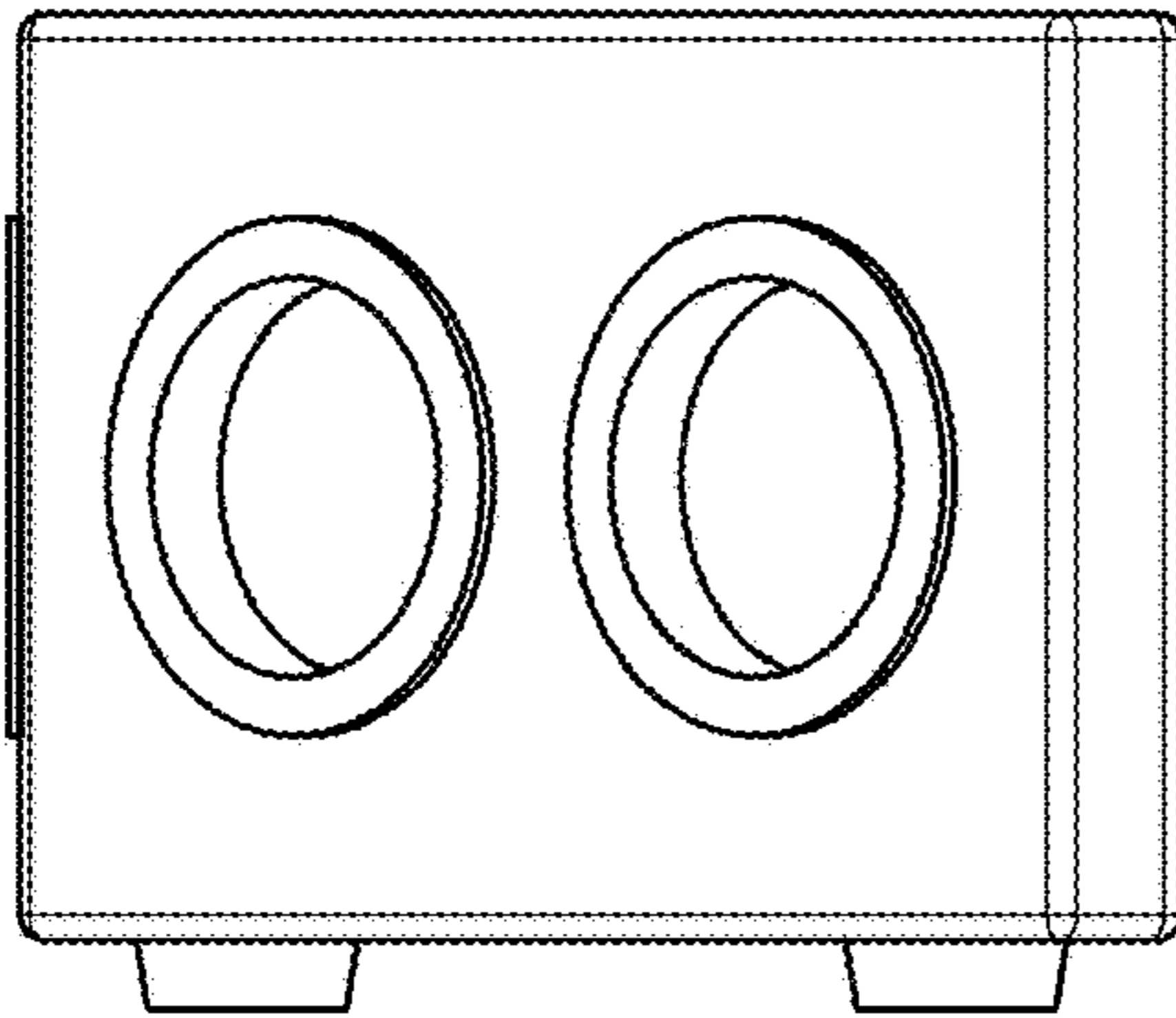


FIG. 5

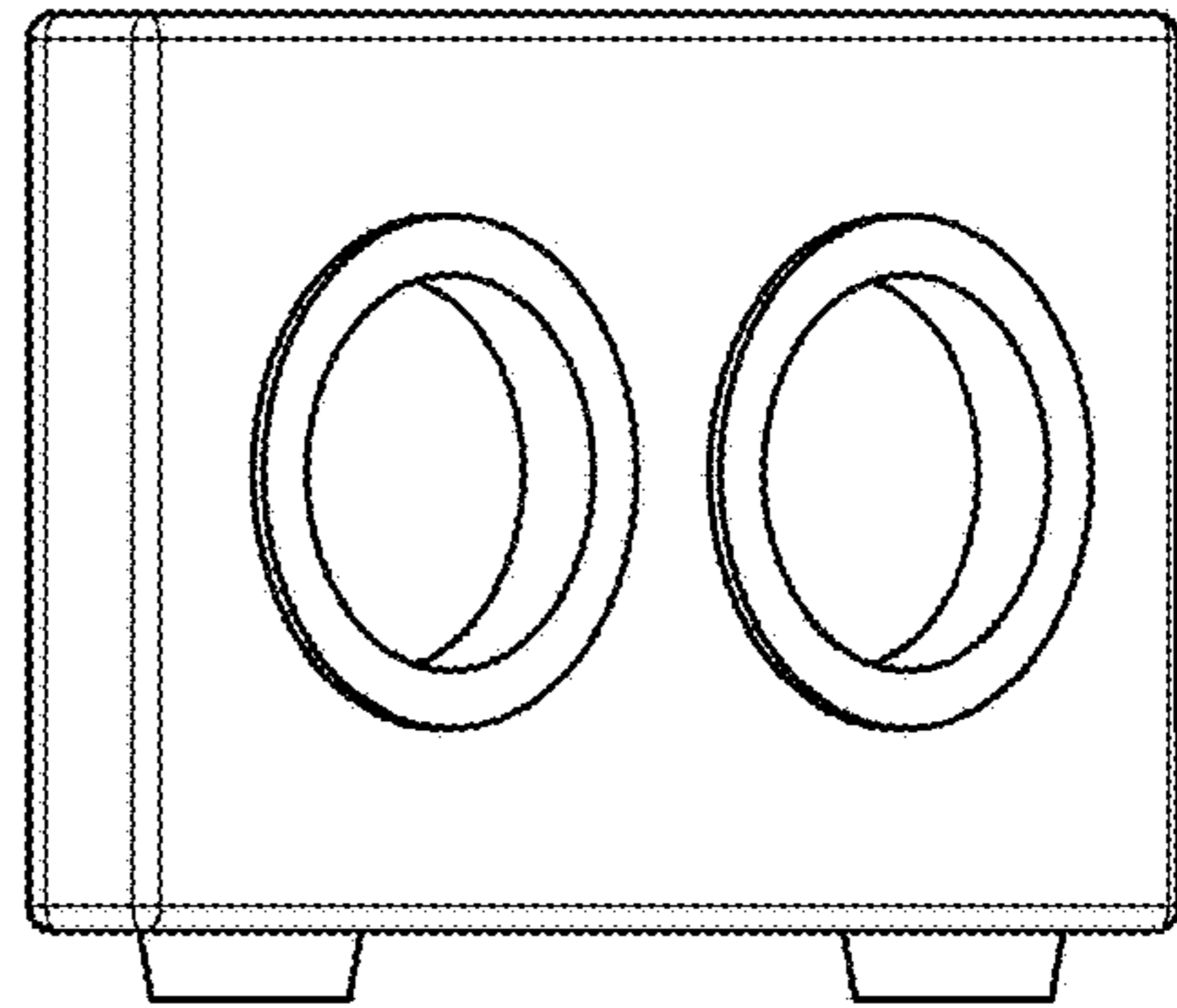


FIG. 6

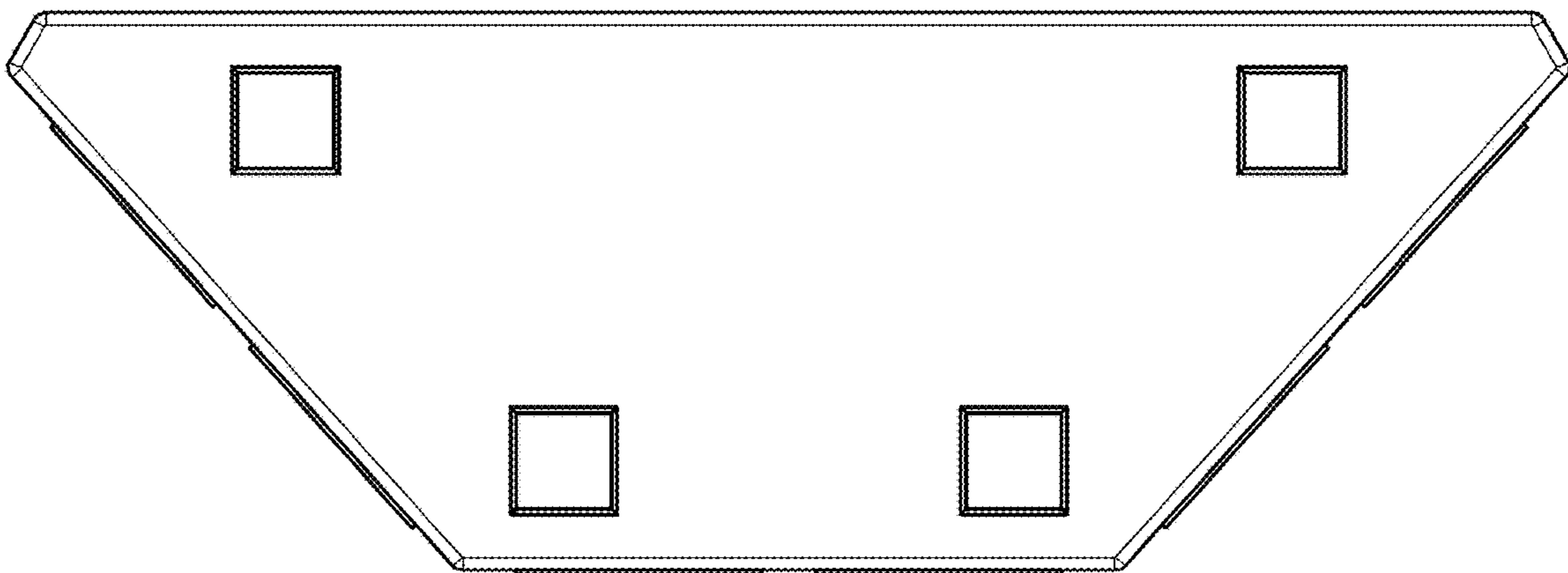


FIG. 7