



US00D847222S

(12) **United States Design Patent** (10) **Patent No.:** **US D847,222 S**
Todirca et al. (45) **Date of Patent:** **** Apr. 30, 2019**

(54) **ICE BALL MAKER**
(71) Applicants: **Constantin Alin Todirca**, Dyssegård (DK); **Alexandru Todirca**, Dyssegård (DK)
(72) Inventors: **Constantin Alin Todirca**, Dyssegård (DK); **Alexandru Todirca**, Dyssegård (DK)
(73) Assignee: **THE BROTHERS TOD**, Dyssegård (DK)
(**) Term: **15 Years**

(21) Appl. No.: **29/604,172**
(22) Filed: **May 16, 2017**
(51) **LOC (11) Cl.** **15-07**
(52) **U.S. Cl.**
USPC **D15/90**
(58) **Field of Classification Search**
USPC D15/79, 80, 82, 89, 90
CPC F25B 21/02; F25B 2321/02; F25B 1/005;
F25B 2321/0252; F25B 1/00; F25B 1/10;
F25B 21/04; F25B 2339/047; F25B 5/02;
F25B 7/00; F25B 13/00; F25B 1/053;
F25B 2309/06; F25B 2321/021; F25B
2321/023; F25D 23/028; F25D 23/02;
F25D 25/025; F25D 23/00; F25D
2323/021; F25D 11/00; F25D 2323/024;
F25D 23/04; F25D 29/00; F25D 25/02;
F25D 25/024; F25D 27/005; F25D 23/12;
F25D 29/005; F25D 17/042; F25D
2325/021
See application file for complete search history.

(56) **References Cited**
U.S. PATENT DOCUMENTS
D125,151 S 2/1941 Pagan
D249,269 S 9/1978 Pitts
D272,233 S 1/1984 Parmentier

D272,317 S 1/1984 Parmentier
D281,882 S 12/1985 Prommer
D292,802 S 11/1987 Fails
D348,473 S 7/1994 Griffin, Sr.
D364,812 S * 12/1995 Breton D9/456
D364,813 S * 12/1995 Breton D9/456
D517,103 S 3/2006 Ribeiro
7,014,162 B2 3/2006 Lion et al.
7,905,466 B2 3/2011 Lee et al.
D651,038 S * 12/2011 Henry D7/354
D661,541 S * 6/2012 Braden D7/354
D673,004 S * 12/2012 Lion D7/354
(Continued)

OTHER PUBLICATIONS

US Trademark Serial No. 87438449; Mark—TBT Filing date: May 5, 2017 Publication date: Oct. 10, 2017.
(Continued)

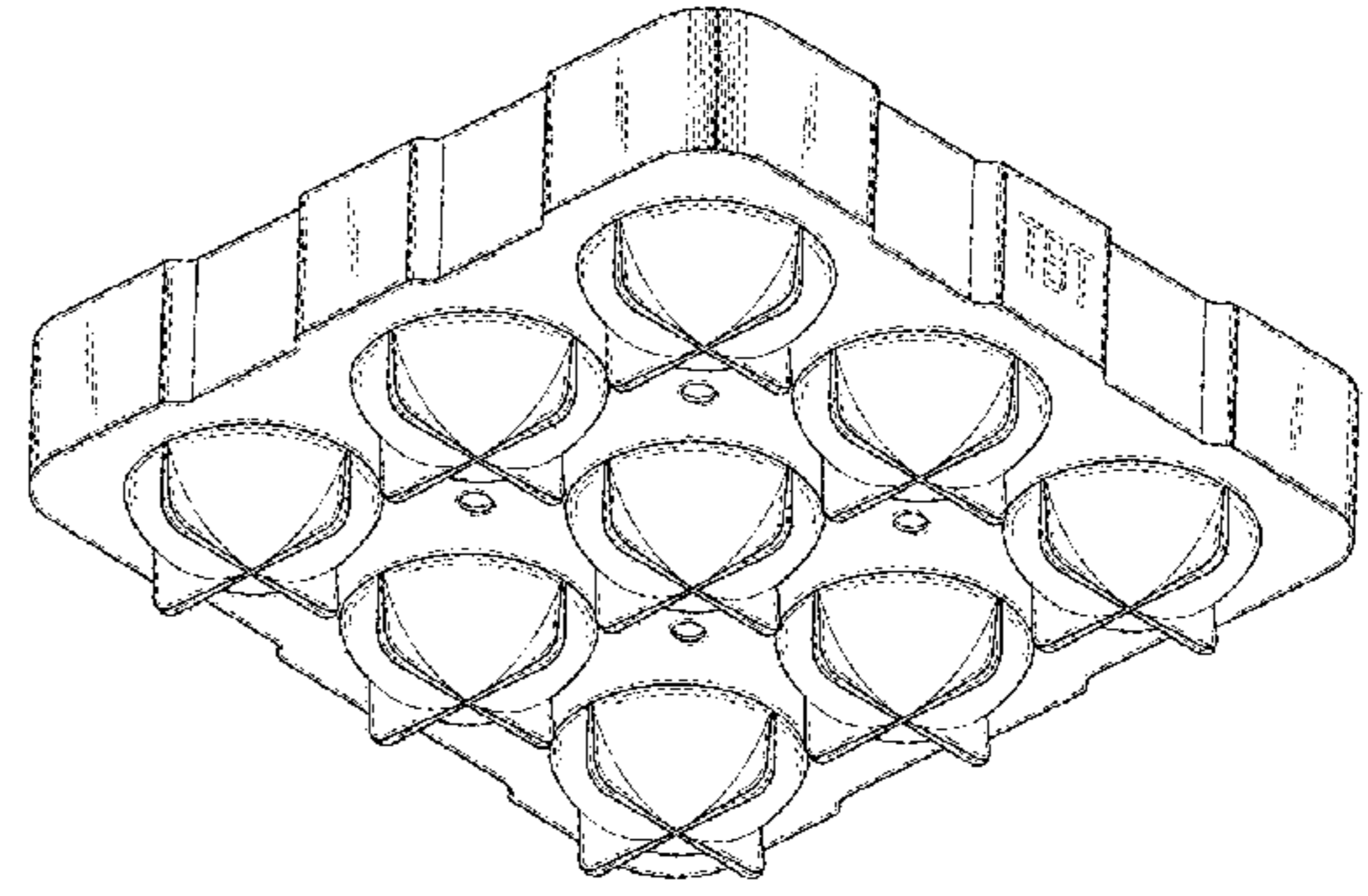
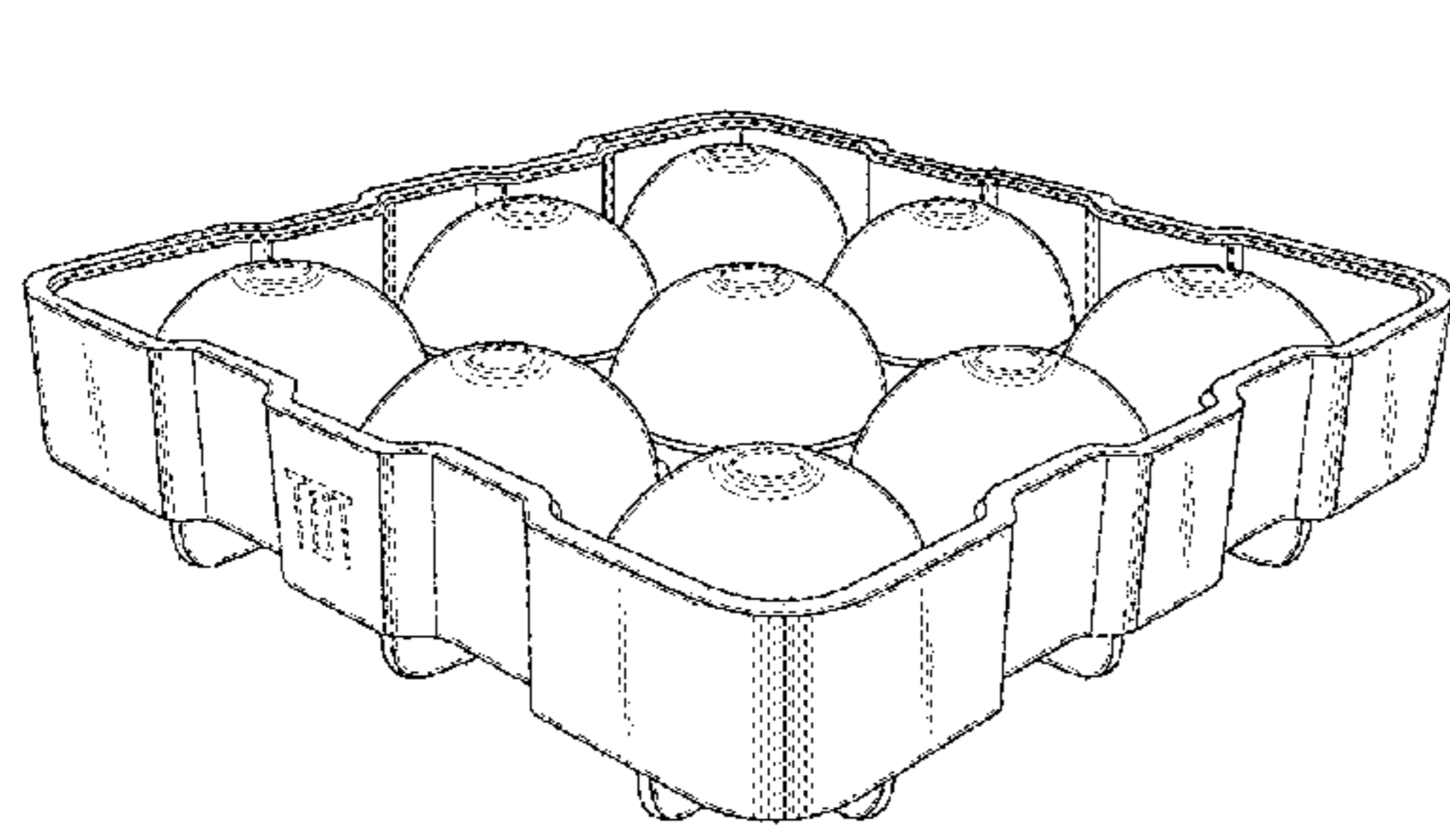
Primary Examiner — Khawaja Anwar
(74) *Attorney, Agent, or Firm* — LegalForce RAPC Worldwide

(57) **CLAIM**
The ornamental design for an ice ball maker, as shown and described.

DESCRIPTION

FIG. 1 is a front, top-right perspective view for an ice ball maker, showing our new design;
FIG. 2 is a front elevational view of FIG. 1 thereof;
FIG. 3 is a rear elevational view of FIG. 1 thereof;
FIG. 4 is a left side elevational view of FIG. 1 thereof;
FIG. 5 is a right side elevational view of FIG. 1 thereof;
FIG. 6 is a top plan view of FIG. 1 thereof;
FIG. 7 is a bottom plan view of FIG. 1 thereof; and,
FIG. 8 is a front, bottom-left perspective view of FIG. 1 thereof.
The broken lines indicate unclaimed portions of the design and form no part of the claimed design.

1 Claim, 8 Drawing Sheets



(56)

References Cited

U.S. PATENT DOCUMENTS

D699,084	S	*	2/2014	Miller	D7/701
D700,053	S	*	2/2014	Chudleigh	D9/456
D724,900	S	*	3/2015	Kraemer	D7/611
D725,341	S	*	3/2015	Schweitzer	D1/121
D739,264	S	*	9/2015	Buccellato	D7/354
D750,443	S	*	3/2016	Kraemer	D7/611
9,272,444	B2	*	3/2016	Zorovich	B29C 33/0038
9,310,116	B2	*	4/2016	Culley	F25C 5/18
D758,183	S	*	6/2016	Joergensen	D9/426
D774,387	S	*	12/2016	Joergensen	D9/425
D781,932	S	*	3/2017	Yoshikawa	
D798,740	S	*	10/2017	Lee	D9/758
D804,964	S	*	12/2017	Bennett	D9/758
D807,932	S	*	1/2018	Frank	D15/90

OTHER PUBLICATIONS

US Trademark Serial No. 87438296; Mark—TBT Filing date: May 5, 2017 Publication date: Sep. 19, 2017.

US Trademark Serial No. 87438478; Mark—The Brothers Tod Filing date: May 5, 2017 Publication date: Sep. 19, 2017.

“Premium Quality Ice / Cake Ball Maker”, by The Brothers Tod, Found Online [Apr. 10, 2017] <http://nebula.wsimg.com/07bdb639efd0ae58e271f1b9cb0e8256?AccessKeyId=727434123CFDB179AECC&disposition=0&alloworigin=1>.

“Premium Ice Ball silicone mold tray”, by Cold As Ice, Found Online [Apr. 10, 2017] https://images-na.ssl-images-amazon.com/images/I/71OTtLr1%2BjL_SL1500.jpg.

“Ice Ball Maker 6 × 4cm”, by Lunaoo, Found Online [Apr. 10, 2017] https://images-na.ssl-images-amazon.com/images/I/51jMgwxbsL_SL1000.jpg.

“Chillz Ice Ball Maker Mold—Molds 4 × 4.5cm Round Ice Ball Spheres”, by The Classic Kitchen, Found Online [Apr. 10, 2017] https://cdn.shopify.com/s/files/1/0937/9660/products/chillz_-_classic_1024x1024.jpg?v=1481027536.

“10 Cavity Sphere Ice ball”, by More Cuisine Essentials, Found Online [Apr. 10, 2017] https://static.wixstatic.com/media/48154f_6789567a64924f5392171d2bb384458c.jpg/v1/fill/w_250,h_250,q_85,usm_0.66_1.00_0.01/48154f_6789567a64924f5392171d2bb384458c.jpg.

* cited by examiner

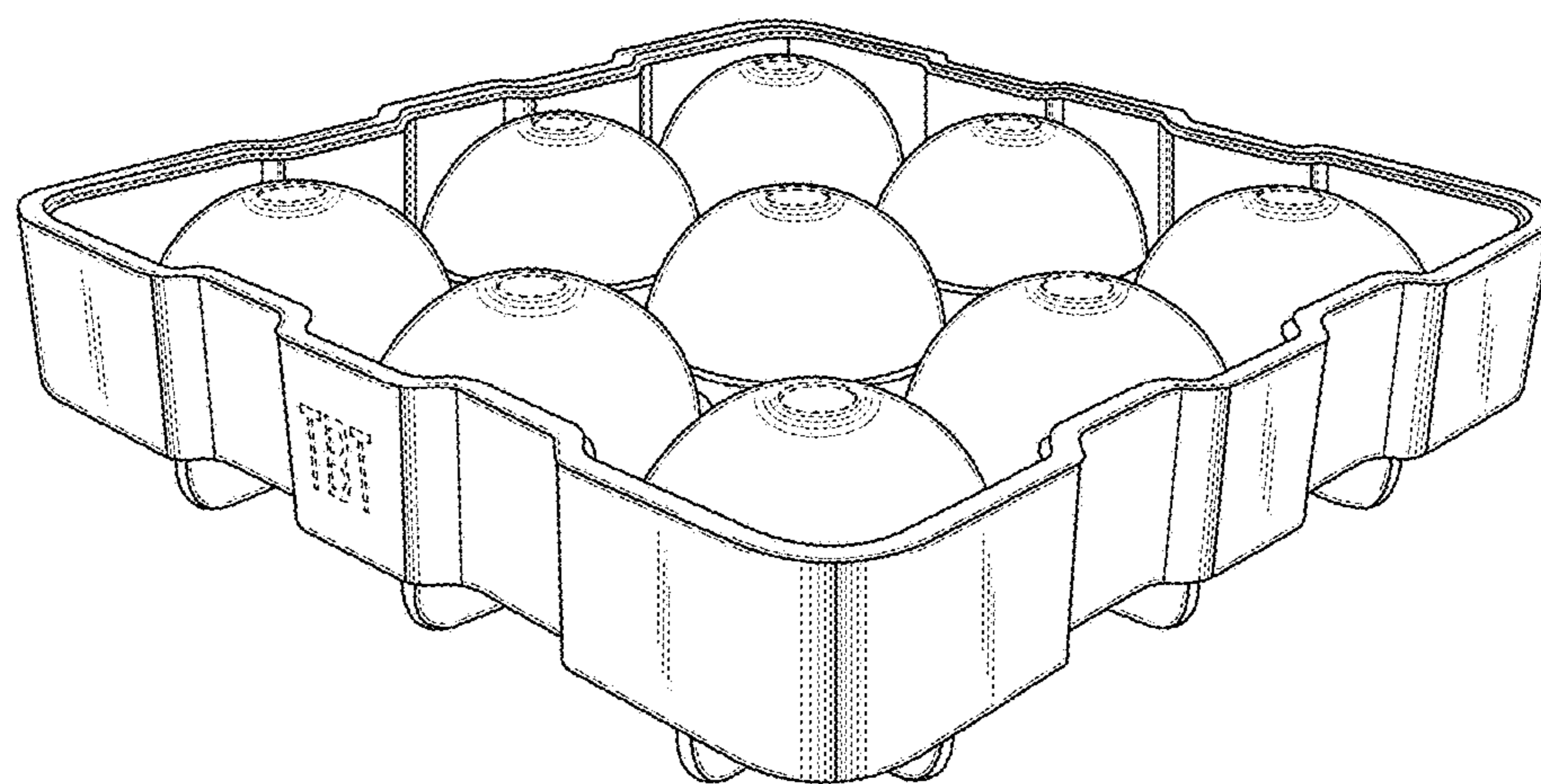


FIG. 1

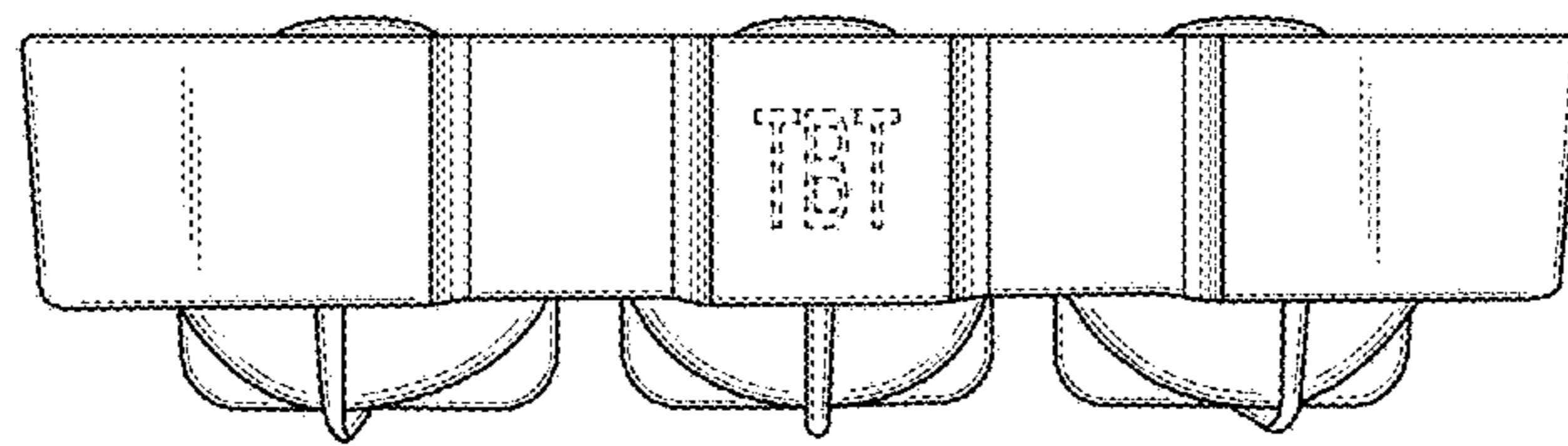


FIG. 2

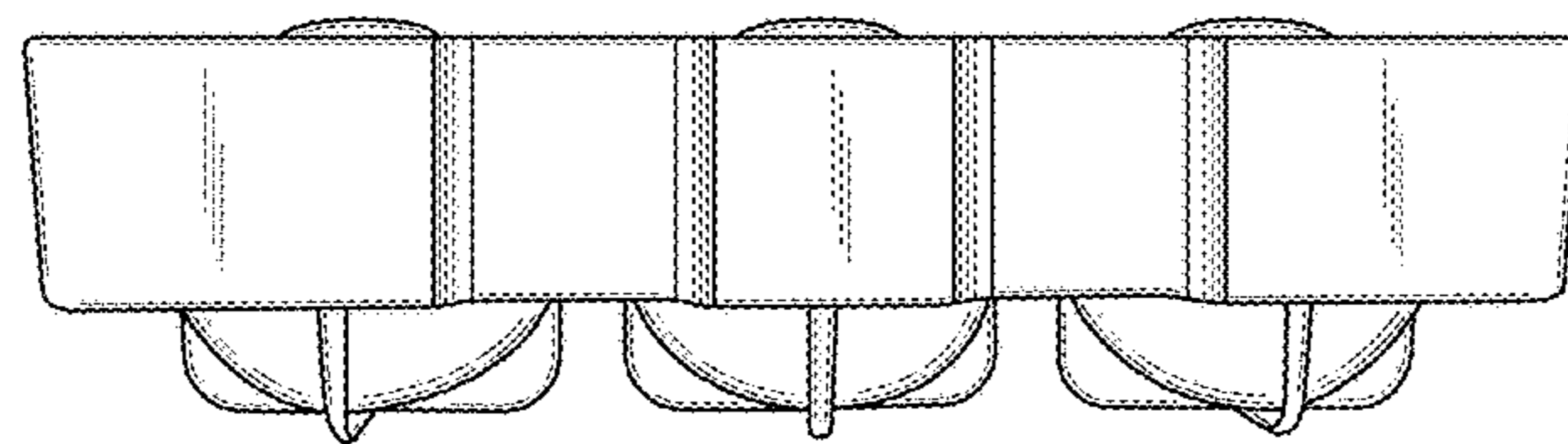


FIG. 3

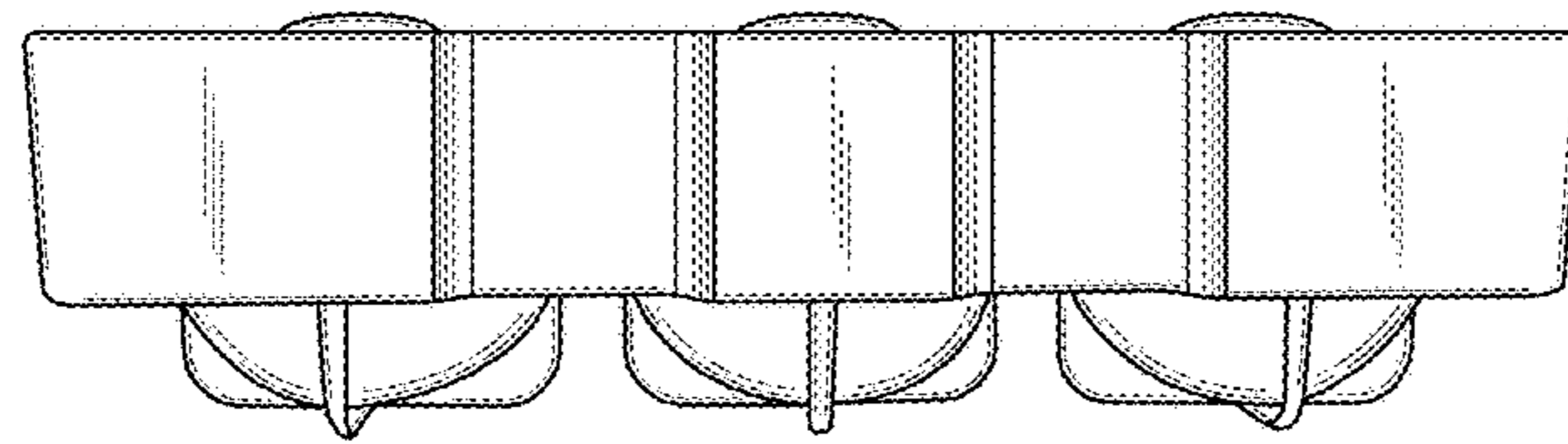


FIG. 4

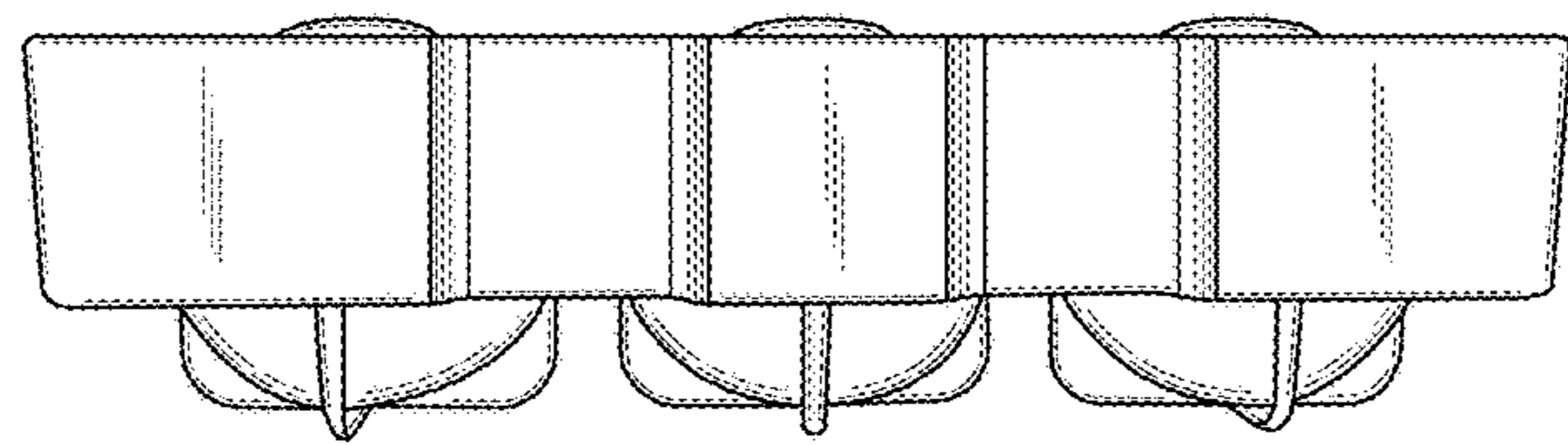


FIG. 5

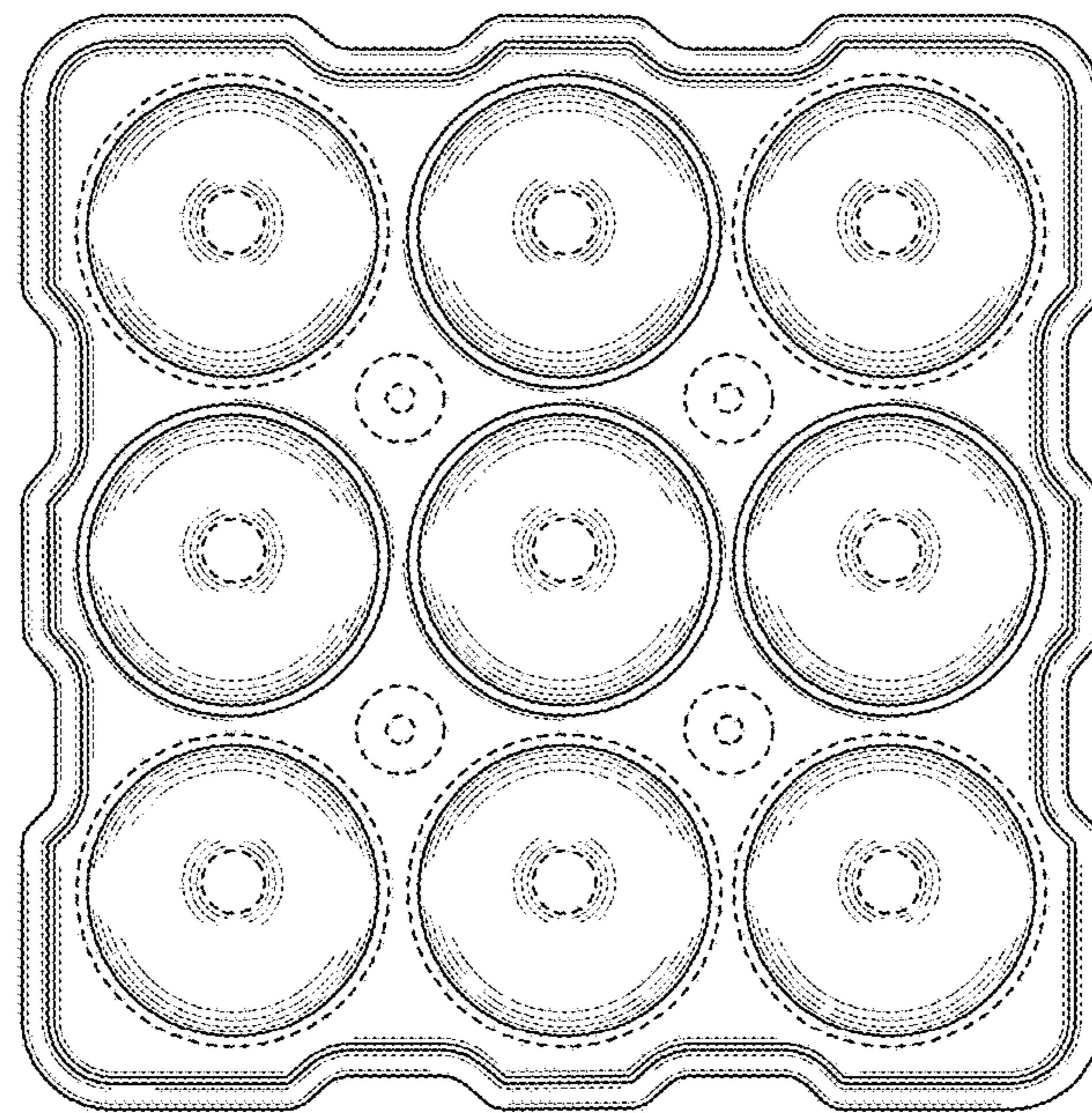


FIG. 6

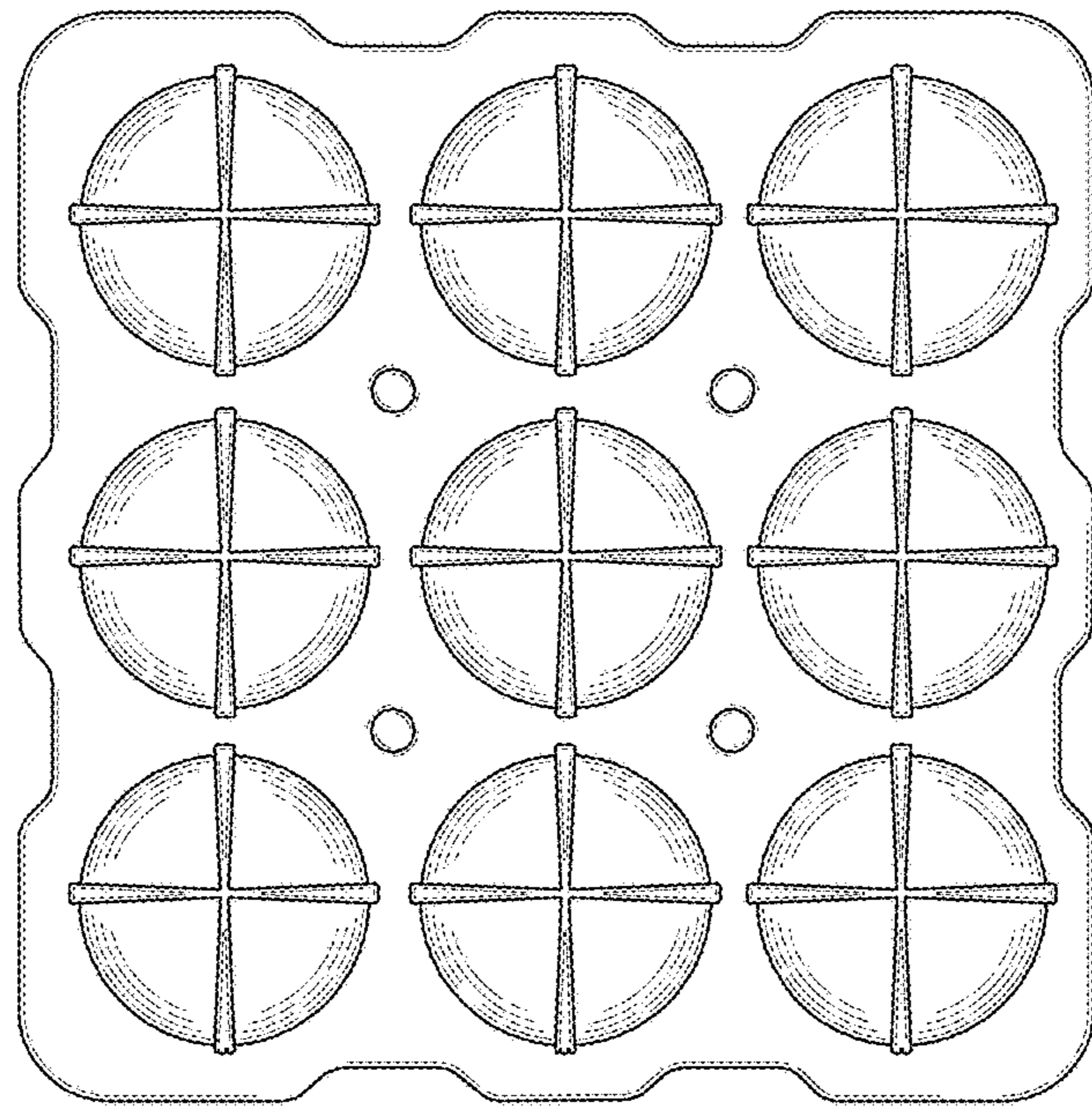


FIG. 7

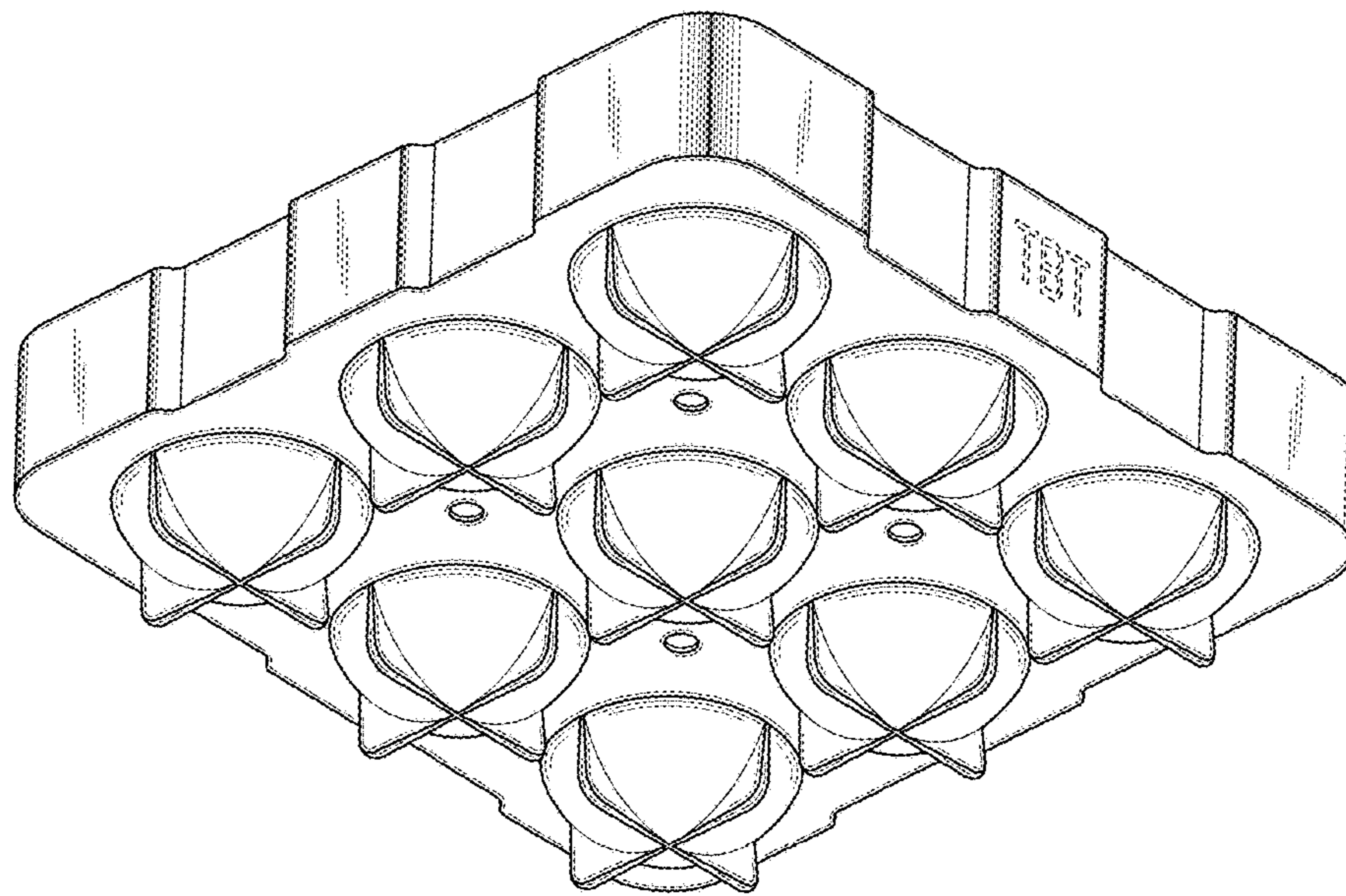


FIG. 8