



US00D847219S

(12) **United States Design Patent**  
**Jeon et al.**

(10) **Patent No.:** **US D847,219 S**  
(45) **Date of Patent:** **\*\* Apr. 30, 2019**

(54) **STORAGE CONTAINER FOR REFRIGERATOR**

(71) Applicant: **SAMSUNG ELECTRONICS CO., LTD.**, Suwon-si, Gyeonggi-do (KR)

(72) Inventors: **Sangwoon Jeon**, Seoul (KR); **Seyoun Park**, Seoul (KR); **Honguk Lee**, Seongnam-si (KR)

(73) Assignee: **SAMSUNG ELECTRONICS CO., LTD.**, Gyeonggi-Do (KR)

(\*\*) Term: **15 Years**

(21) Appl. No.: **29/632,979**

(22) Filed: **Jan. 11, 2018**

(30) **Foreign Application Priority Data**

Aug. 24, 2017 (KR) ..... 30-2017-0039472

(51) **LOC (11) Cl.** ..... **15-07**

(52) **U.S. Cl.**  
USPC ..... **D15/89**

(58) **Field of Classification Search**  
USPC ..... D15/79-91; D6/707, 707.7, 324, 705, D6/705.7, 702, 706, 707.19, 675.3, 672, D6/675, 675.1

CPC ..... F25D 23/028; F25D 11/02; F25D 23/126; F25D 25/02; F25D 27/00; F25D 27/005; F25D 23/025; F25D 23/04; F25D 2323/021; F25D 2323/023; F25D 23/062; F25D 25/025; F25D 17/045; F25D 2325/021; F25D 2325/022; F25D 23/00; F25D 23/02; F25D 23/067; F25D 23/069; F25D 2400/361; F25D 2500/02; F25D 2500/06; F25D 25/024; F25D 29/00; F25D 11/00; F25D 11/022; F25D 17/065; F25D 21/04; F25D 2317/061; F25D 2317/063; F25D 2317/0651; F25D 2317/0653; F25D 2317/0661; F25D 2317/0665; F25D 2323/121; F25D

2323/122; F25D 2327/00; F25D 2327/001; F25D 2331/81; F25D 23/021; F25D 23/06; F25D 23/066; F25D 23/10; F25D 23/12; F25D 2400/00; F25D  
(Continued)

(56) **References Cited**

U.S. PATENT DOCUMENTS

D384,681 S \* 10/1997 Martin ..... D15/89  
D773,540 S \* 12/2016 Heck ..... D15/89  
(Continued)

FOREIGN PATENT DOCUMENTS

CN 304031074 S 2/2017  
EM 001993320-0001 5/2012  
(Continued)

*Primary Examiner* — Khawaja Anwar

(74) *Attorney, Agent, or Firm* — Cantor Colburn LLP

(57) **CLAIM**

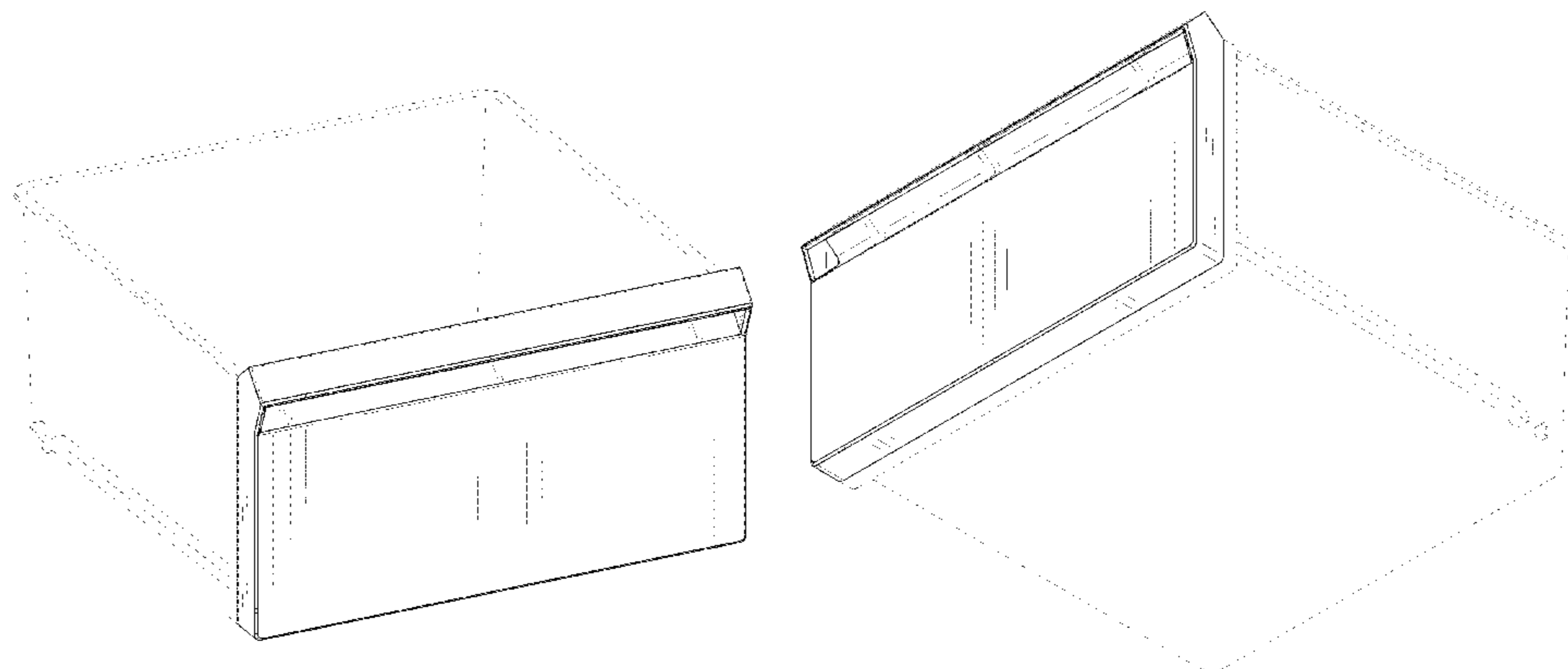
The ornamental design for a storage container for refrigerator, as shown and described.

**DESCRIPTION**

FIG. 1 is a top perspective view of a storage container for refrigerator, showing our new design; FIG. 2 is a front view thereof; FIG. 3 is a rear view thereof; FIG. 4 is a left side view thereof; FIG. 5 is a right side view thereof; FIG. 6 is a top view thereof; FIG. 7 is a bottom view thereof; FIG. 8 is a bottom perspective view thereof; and, FIG. 9 is cross sectional view taken along line 9-9 of FIG. 2.

The broken lines illustrating portions of the storage container for refrigerator form no part of the claimed design.

**1 Claim, 7 Drawing Sheets**



(58) **Field of Classification Search**

CPC ..... 2400/02; F25D 2400/04; F25D 2400/16;  
F25D 2400/36; F25D 2400/40; F25D  
25/022; F25D 25/027; F25D 25/028;  
F25D 2600/02; F25D 2600/06; F25D  
2700/00; F25D 2700/04; F25D 2700/12;  
F25D 2700/122; F25D 2700/14; F25D  
29/005; F25D 31/00; F25D 31/002; F25D  
31/005

See application file for complete search history.

(56) **References Cited**

U.S. PATENT DOCUMENTS

D777,221 S \* 1/2017 Burke ..... F25D 25/021  
D15/89  
D786,321 S \* 5/2017 Lee ..... D15/89  
D786,949 S \* 5/2017 Onrat ..... D15/89  
D788,190 S \* 5/2017 Kim ..... D15/89  
D790,609 S \* 6/2017 Kim ..... D15/89  
D812,649 S \* 3/2018 Onrat ..... D15/89

FOREIGN PATENT DOCUMENTS

KR 300344227 S 2/2004  
KR 300346310 S 3/2004  
KR 300451017 S 5/2007

\* cited by examiner

FIG. 1

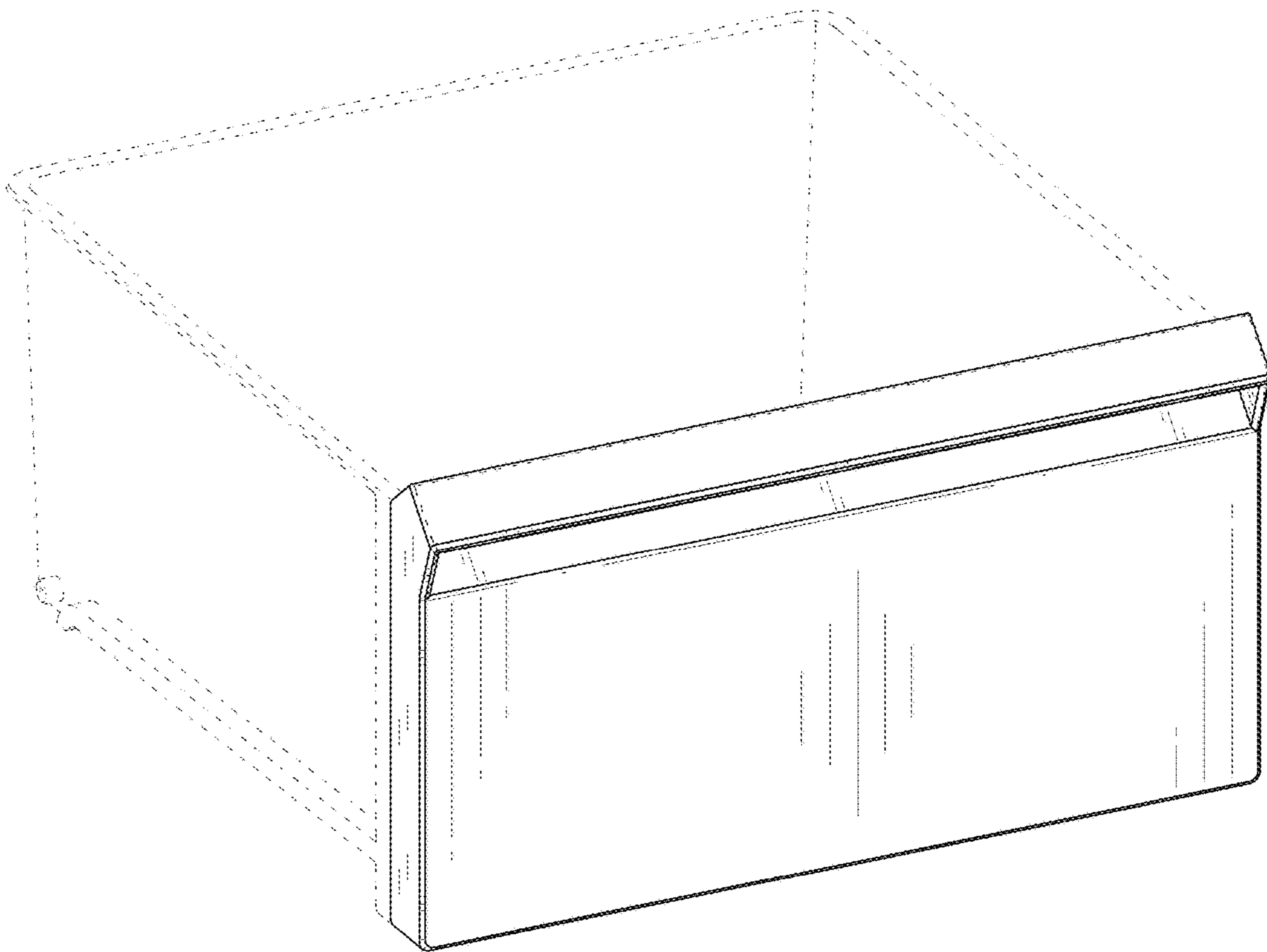


FIG. 2

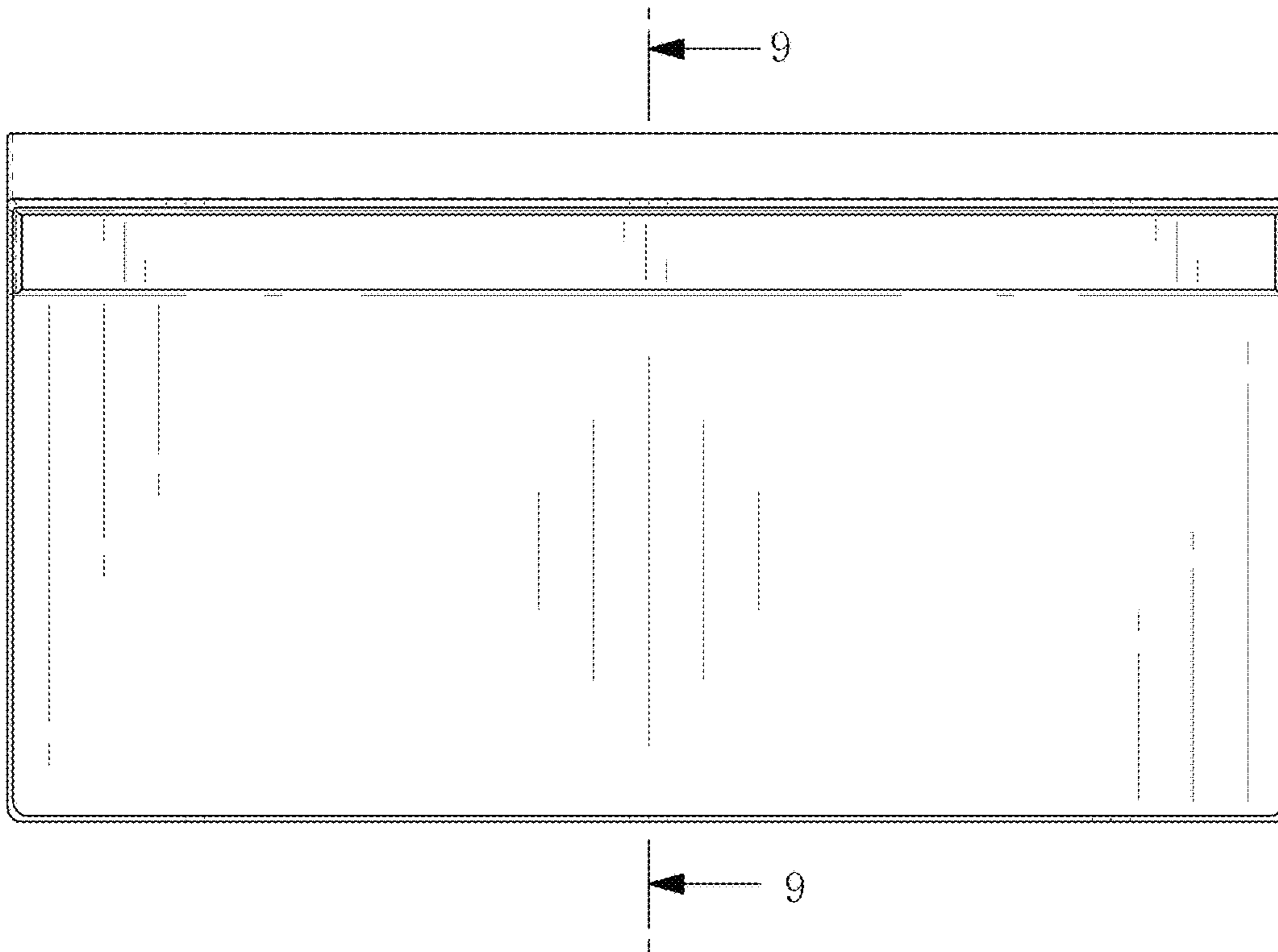


FIG. 3

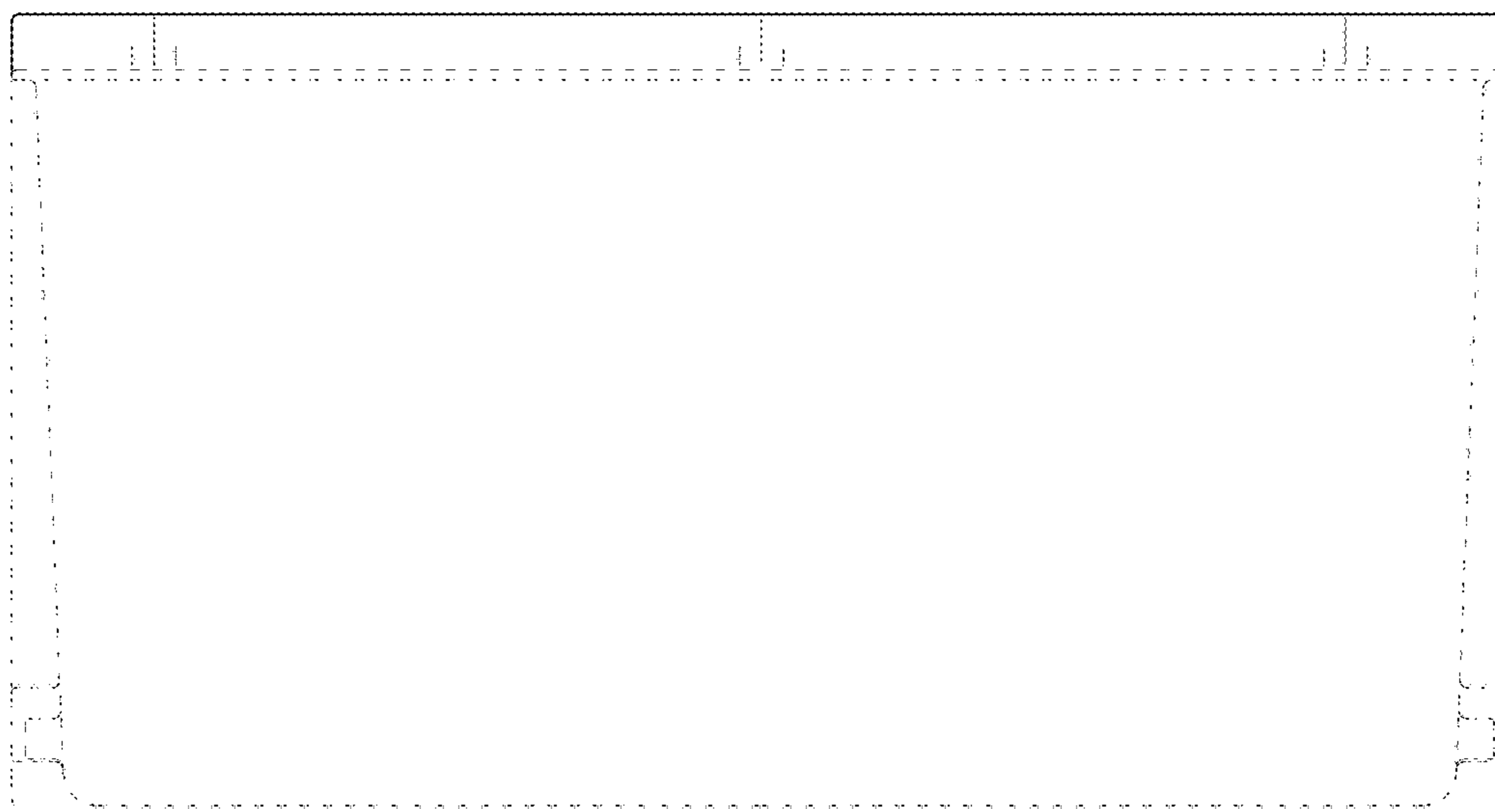


FIG. 4



FIG. 5



FIG. 6

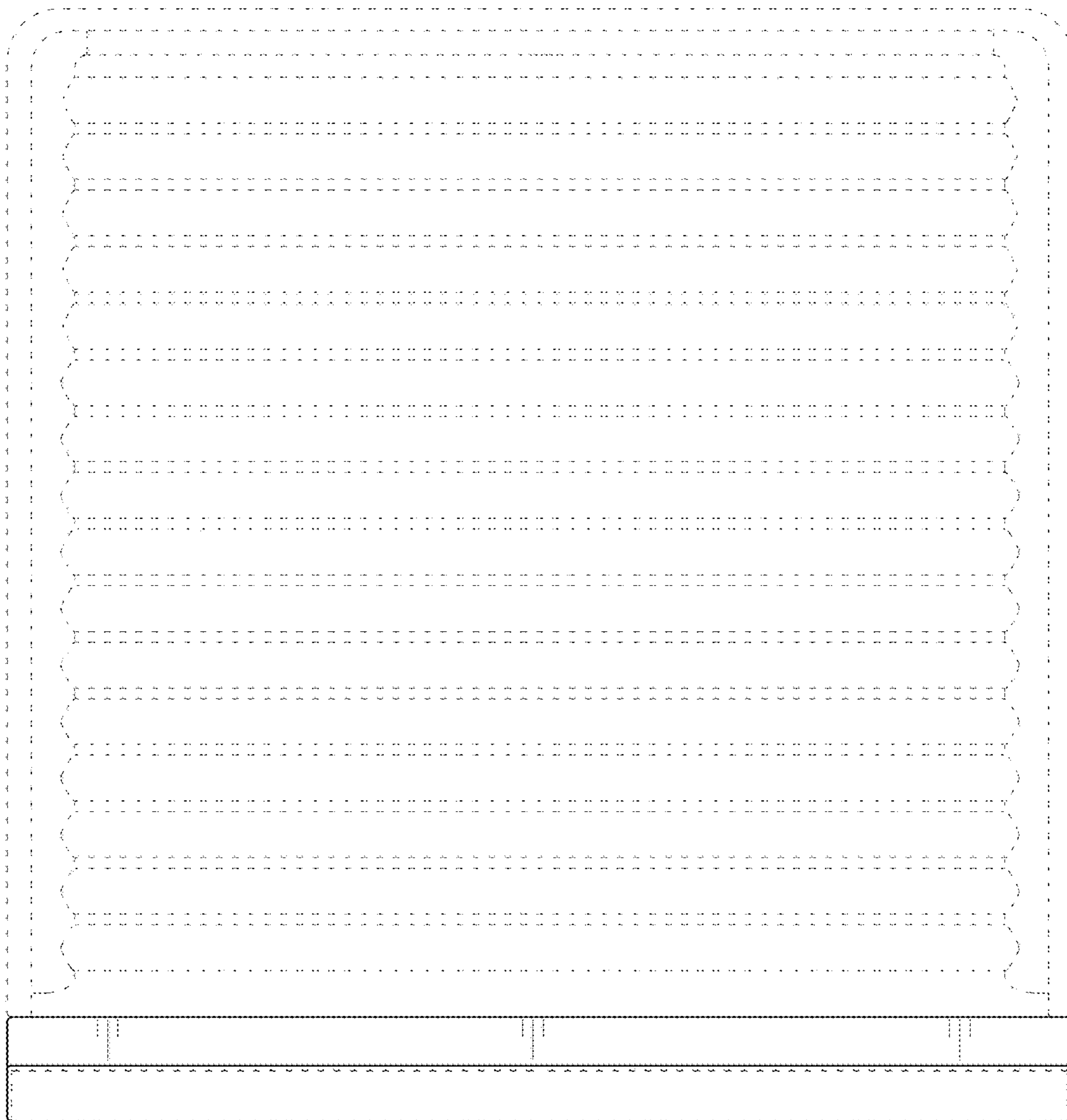


FIG. 7

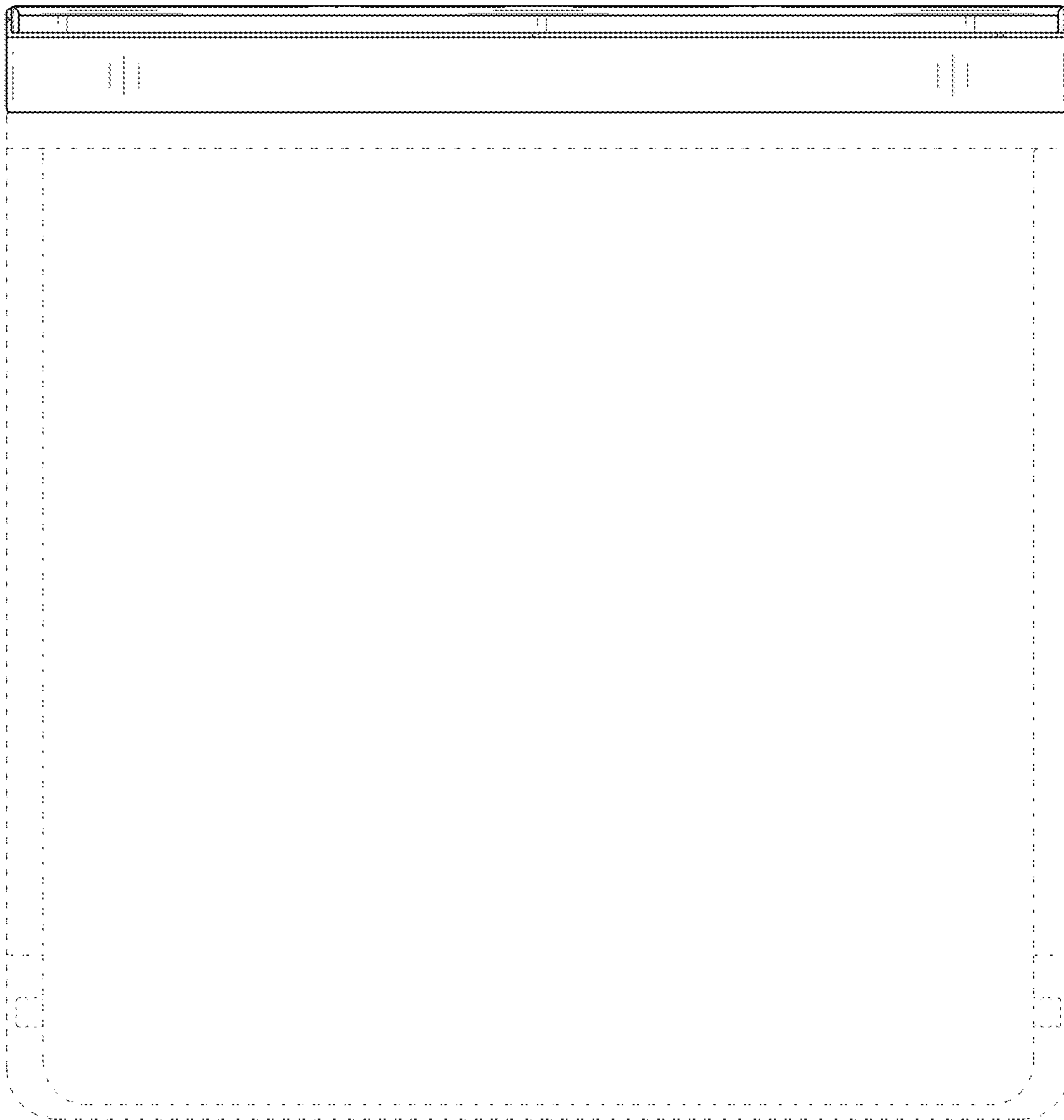


FIG. 8

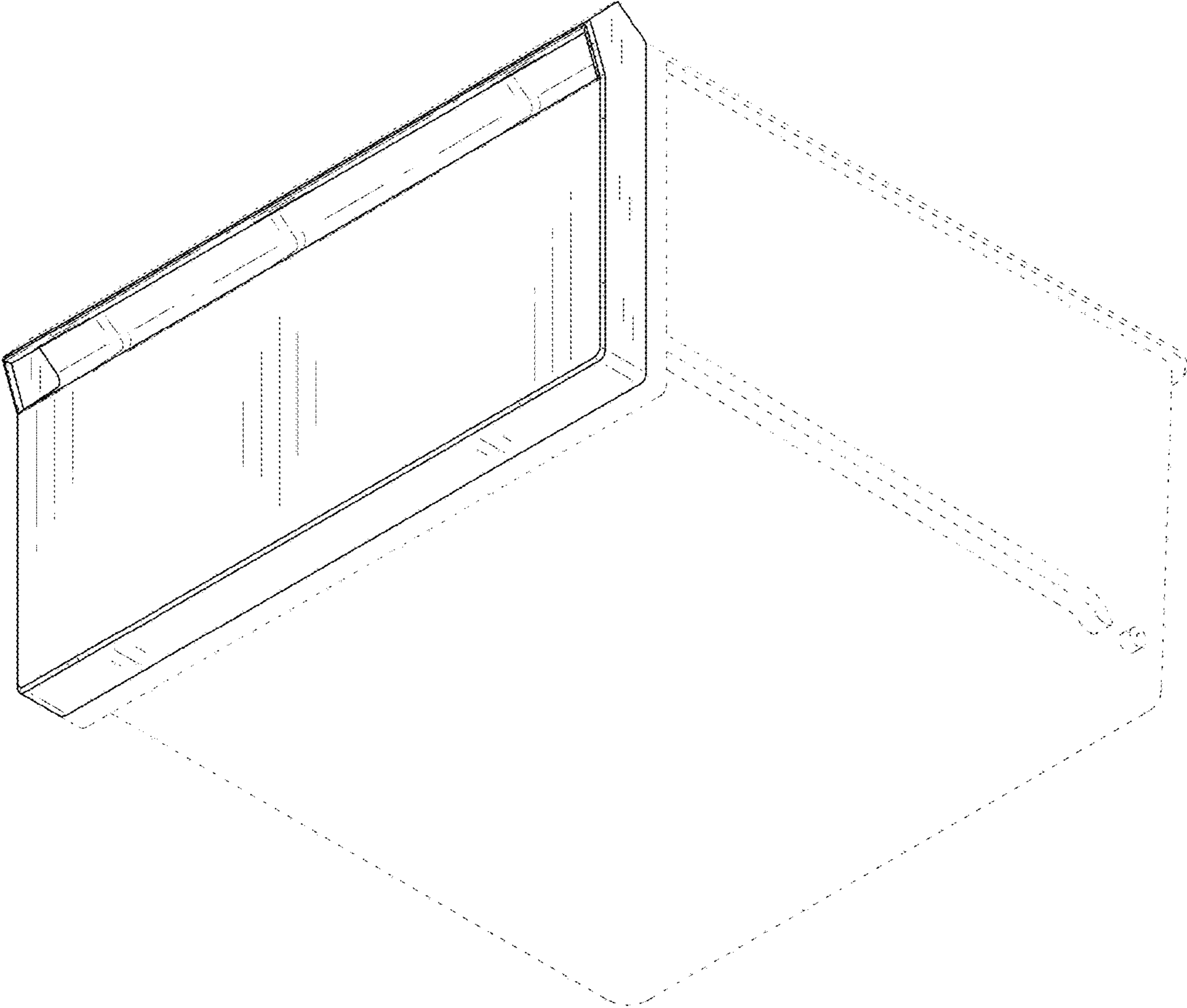




FIG. 9

