



US00D847216S

(12) **United States Design Patent**
Iovanel

(10) **Patent No.:** **US D847,216 S**

(45) **Date of Patent:** **** Apr. 30, 2019**

(54) **RETROFIT ASSEMBLY PLATFORM FOR
MODULAR REFRIGERATION SYSTEM**

(71) Applicant: **Flavian Iovanel**, Plainville, MA (US)

(72) Inventor: **Flavian Iovanel**, Plainville, MA (US)

(**) Term: **15 Years**

(21) Appl. No.: **29/613,740**

(22) Filed: **Aug. 13, 2017**

(51) **LOC (11) Cl.** **15-07**

(52) **U.S. Cl.**
USPC **D15/89**

(58) **Field of Classification Search**
USPC D15/79-91
CPC F25D 23/028; F25D 25/02; F25D 11/00;
F25D 11/02; F25D 2323/021; F25D
23/12; F25D 2700/12; F25D 27/00; F25D
29/00; F25D 17/042; F25D 17/047; F25D
17/065; F25D 2317/043; F25D 2317/066;
F25D 2317/0671; F25D 2323/121; F25D
2331/801; F25D 23/02; F25D 23/04;
F25D 23/08; F25D 2400/06; F25D
2400/16; F25D 2500/06; F25D 2700/02;
F25D 2700/14; F25D 29/003; F25D
29/005; F25D 29/006

See application file for complete search history.

(56) **References Cited**

U.S. PATENT DOCUMENTS

D681,072 S *	4/2013	Sata	D15/79
D749,651 S *	2/2016	Abastari	D15/79
D788,189 S *	5/2017	Maeda	D15/89
D800,186 S *	10/2017	Maeda	D15/89
D800,802 S *	10/2017	Maeda	D15/89

* cited by examiner

Primary Examiner — Khawaja Anwar

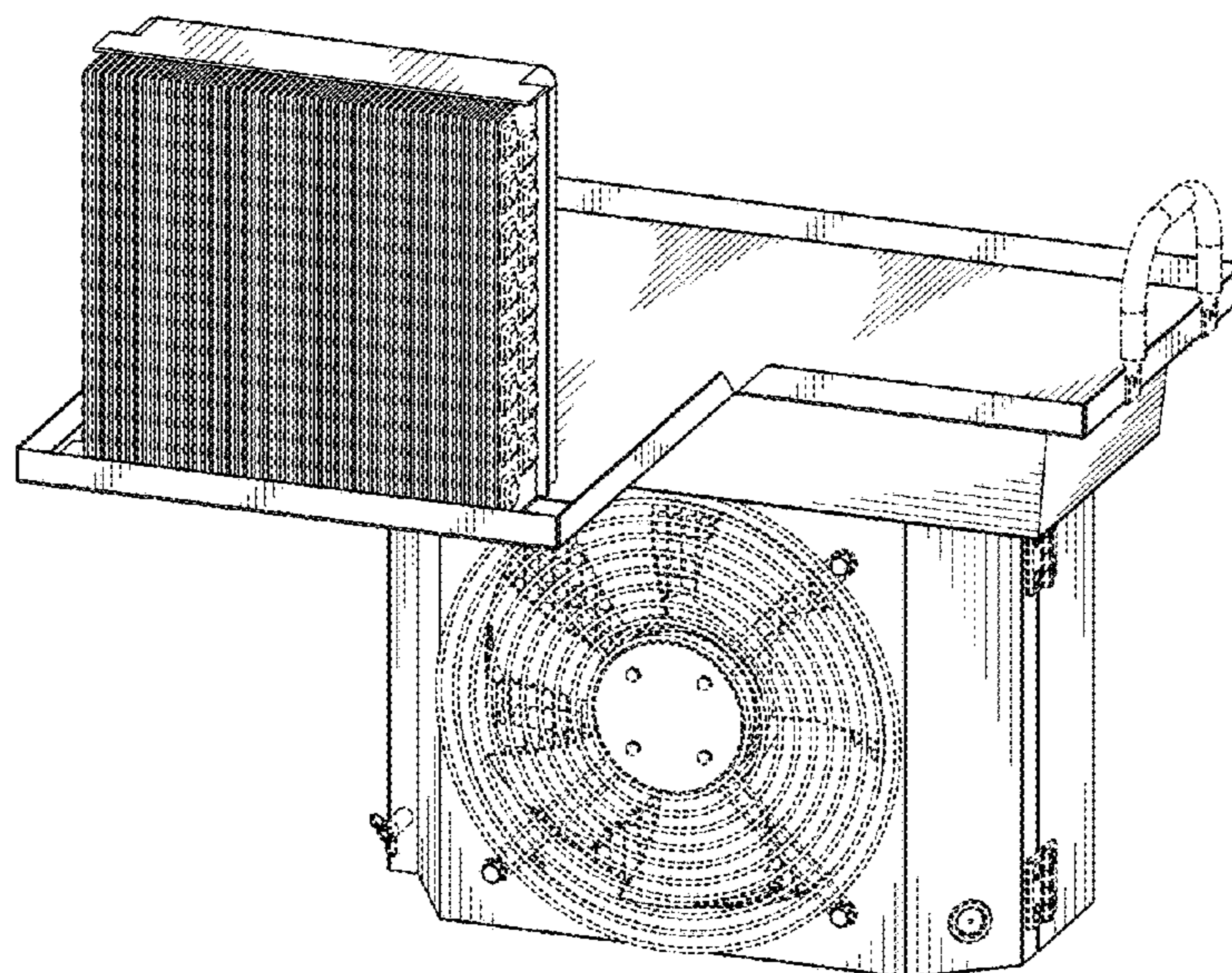
(57) **CLAIM**

The ornamental design for a retrofit assembly platform for modular refrigeration system, as shown and described.

DESCRIPTION

FIG. 1 is a front perspective view of a retrofit assembly platform for modular refrigeration system, showing the first embodiment of my new design;
FIG. 2 is a front view of FIG. 1;
FIG. 3 is a rear view FIG. 1;
FIG. 4 is a right side view of FIG. 1;
FIG. 5 is a left side view of FIG. 1;
FIG. 6 is top view of FIG. 1; and,
FIG. 7 is a front perspective view of a retrofit assembly platform for modular refrigeration system, showing the second embodiment of my new design.
The broken lines shown in the drawings represent unclaimed subject matter and form no part of the claimed design.

1 Claim, 7 Drawing Sheets



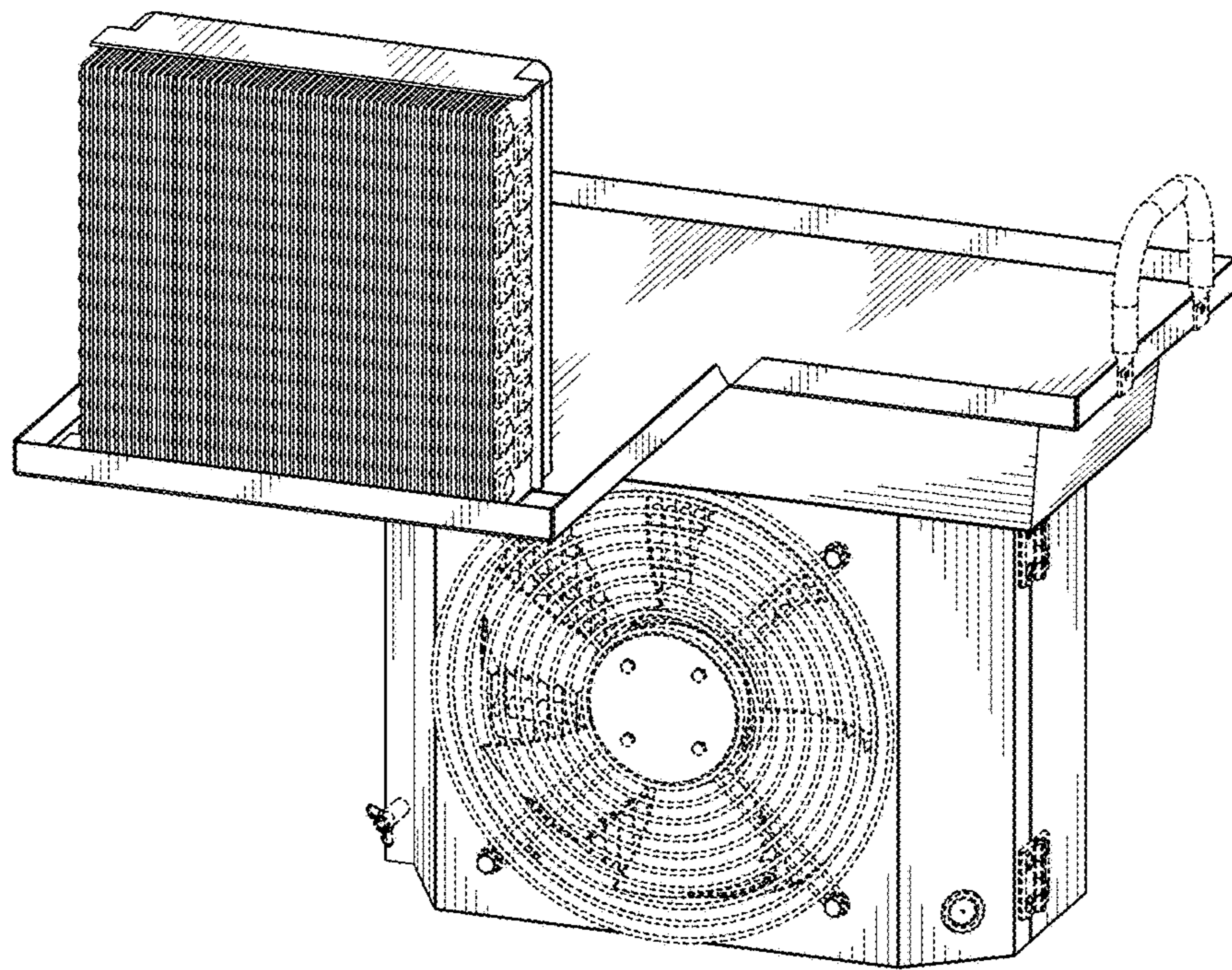


FIG. 1

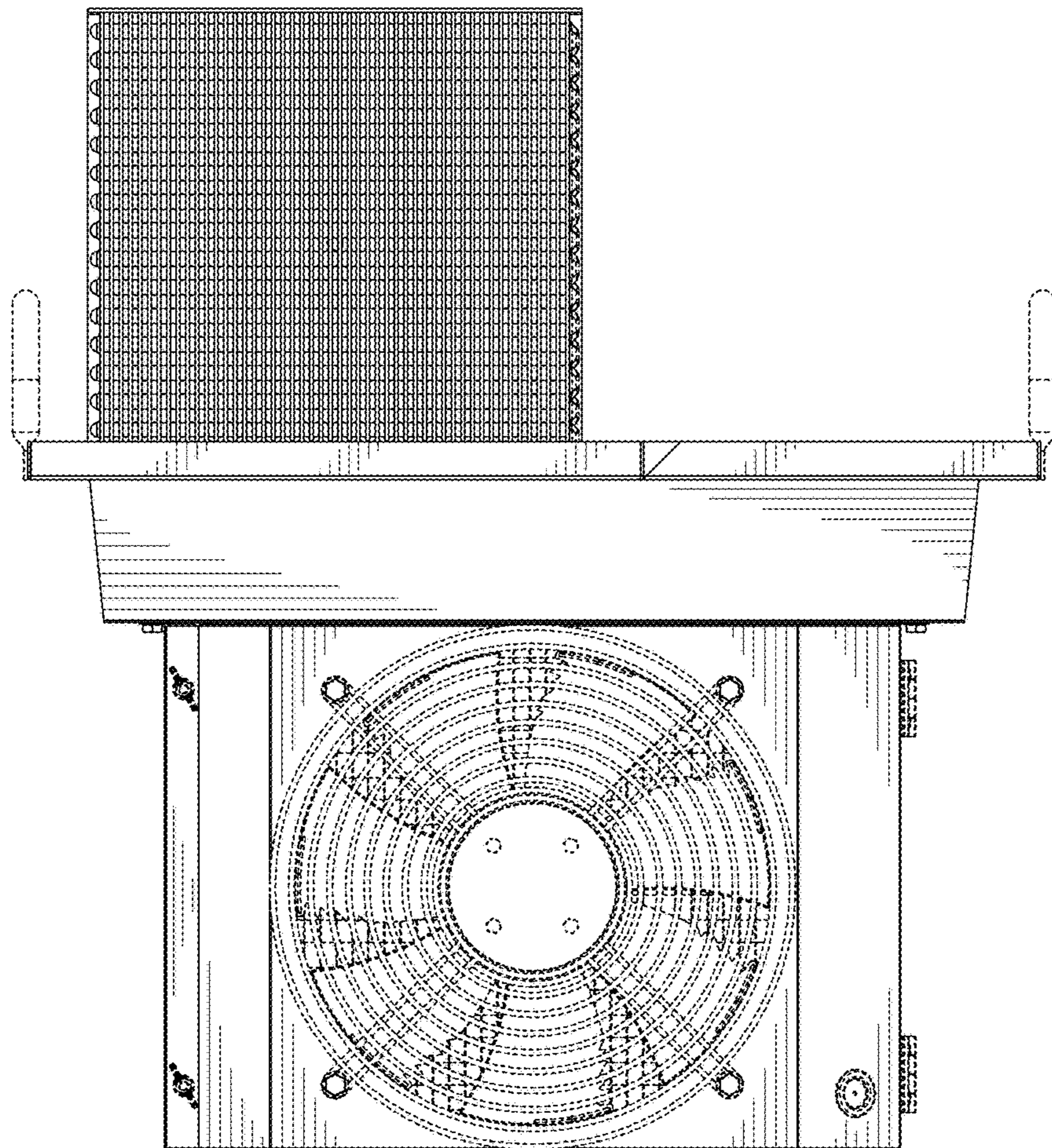


FIG. 2

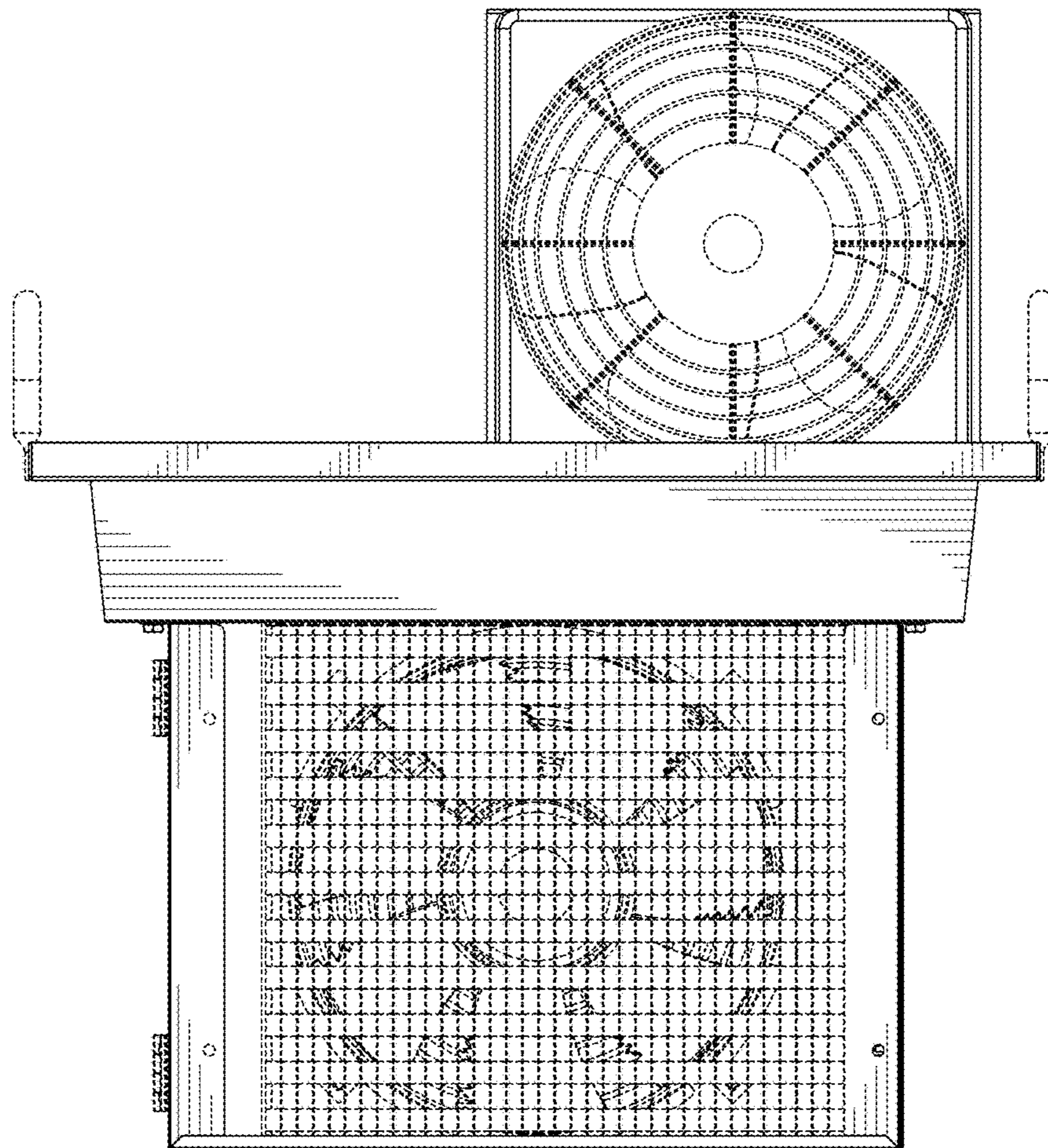


FIG. 3

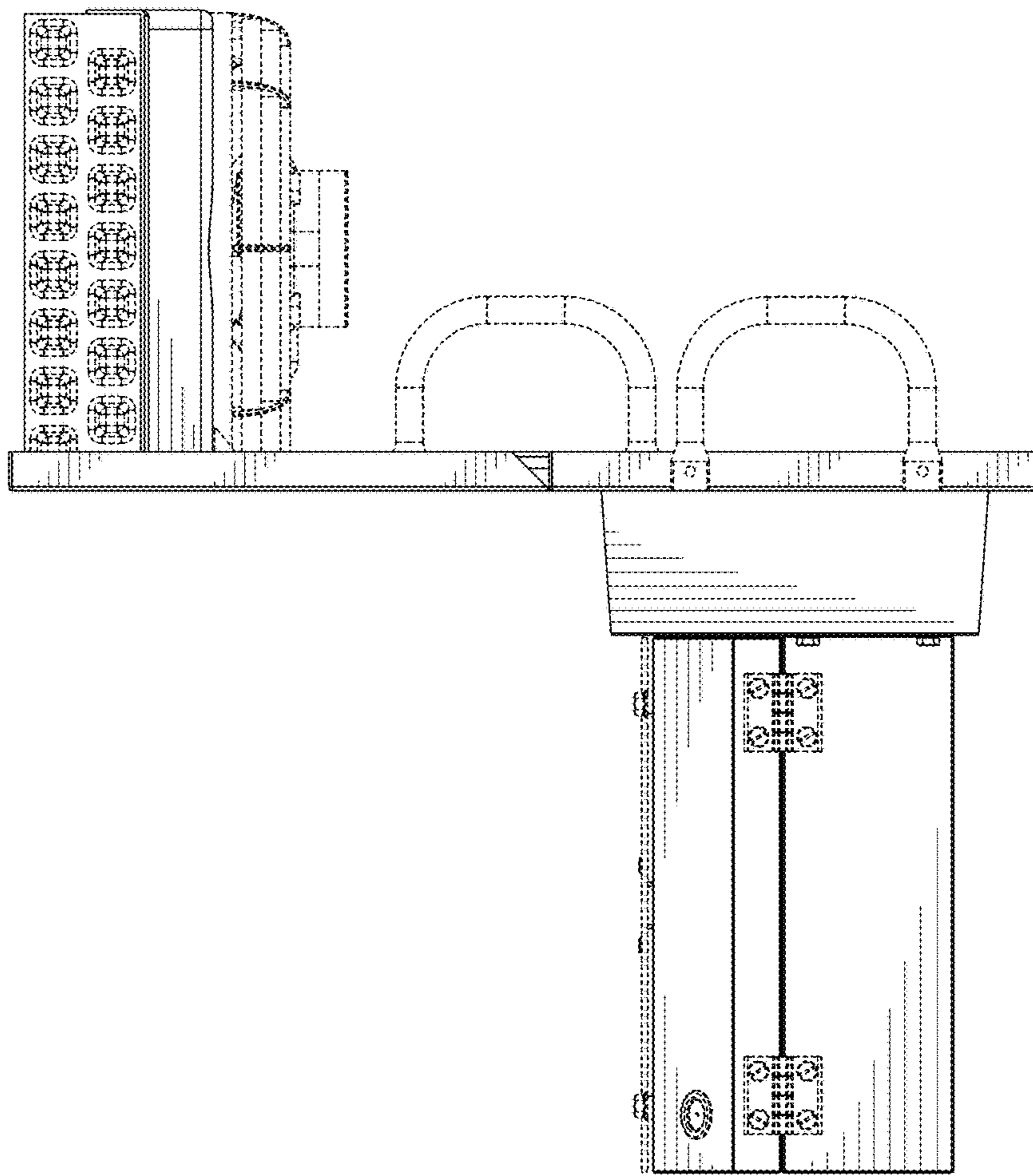


FIG. 4

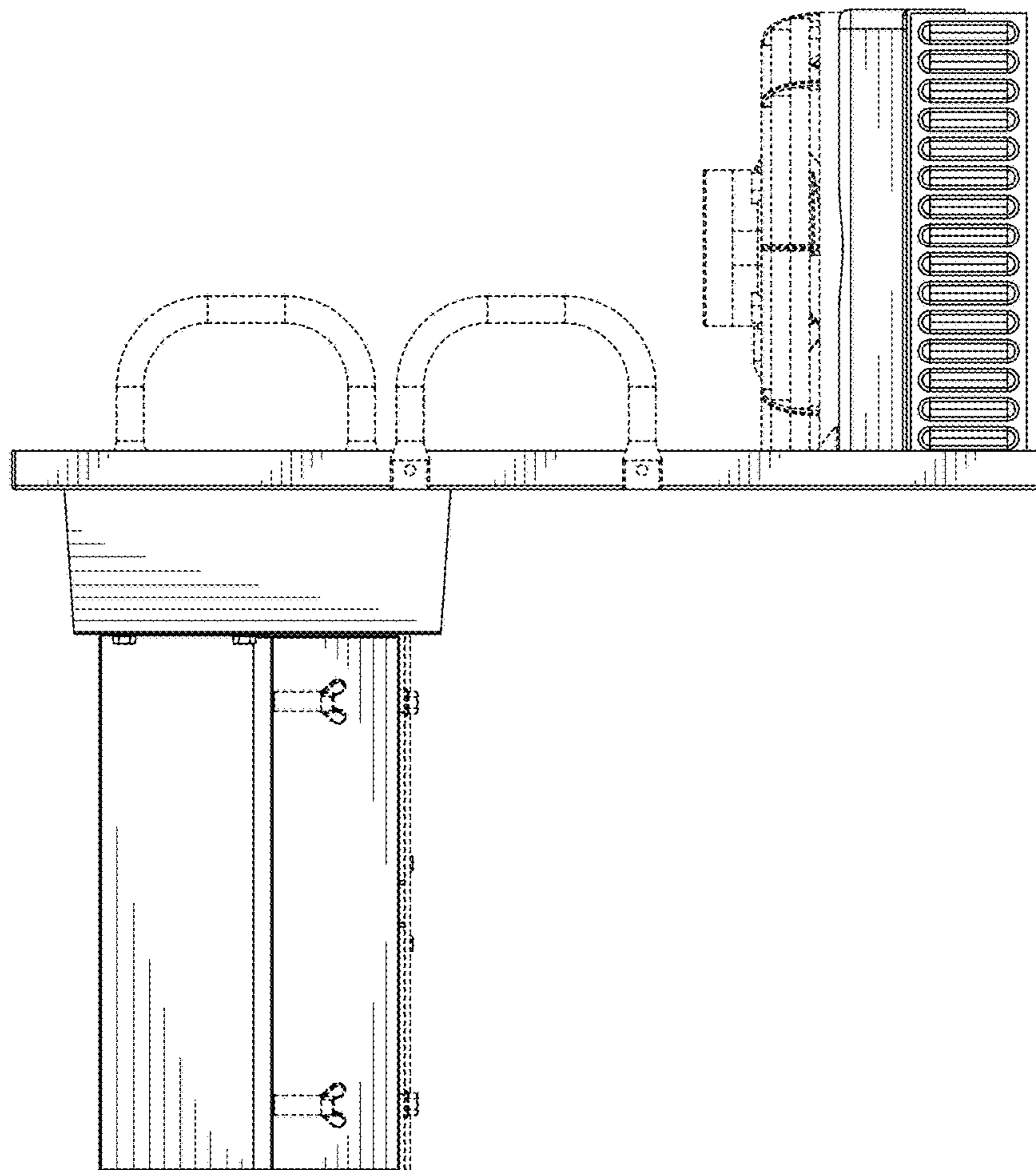


FIG. 5

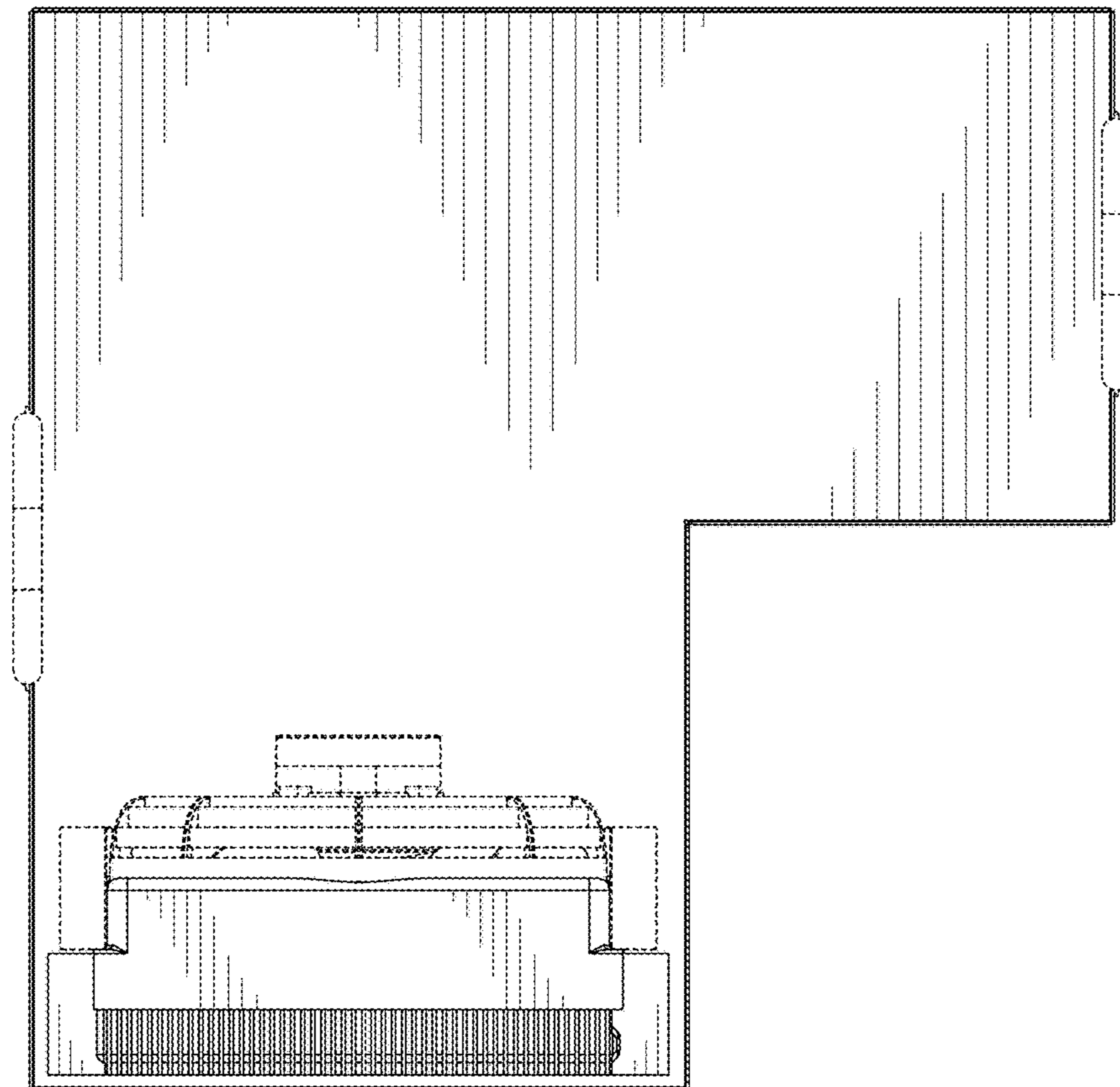


FIG. 6

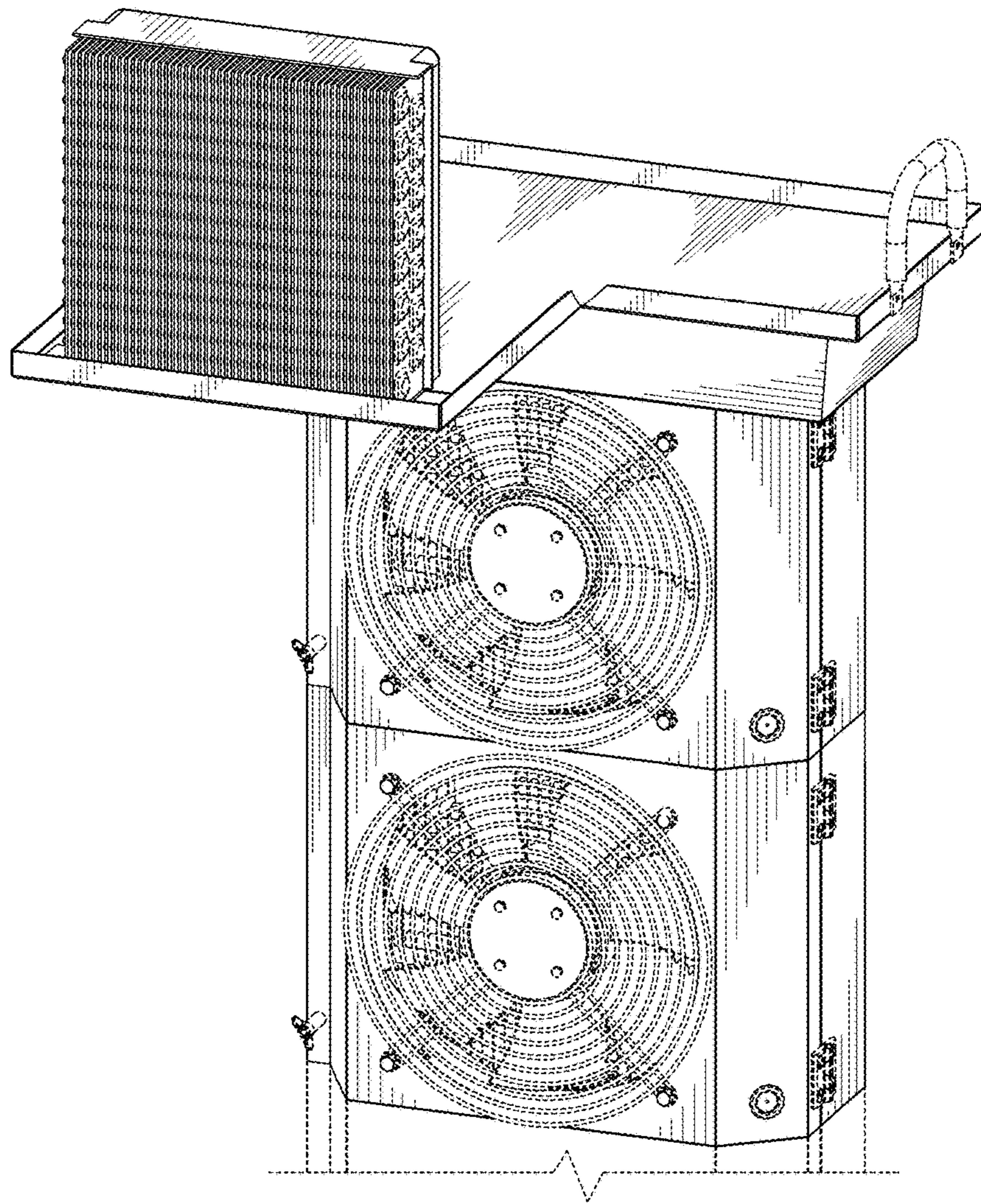


FIG. 7