



US00D847214S

(12) **United States Design Patent**  
**Guo et al.**

(10) **Patent No.:** **US D847,214 S**

(45) **Date of Patent:** **\*\* Apr. 30, 2019**

(54) **REFRIGERATOR**

F25D 2600/02; F25D 2700/02; F25D  
2700/12; F25D 2700/121; F25D 2700/14;  
F25D 29/00

(71) Applicants: **HEFEI MIDEA REFRIGERATOR  
CO., LTD.**, Hefei (CN); **HEFEI  
HUALING CO., LTD.**, Hefei (CN)

See application file for complete search history.

(72) Inventors: **Xuebin Guo**, Hefei (CN); **Congming  
Li**, Hefei (CN); **Yinke Wang**, Hefei  
(CN)

(56) **References Cited**

U.S. PATENT DOCUMENTS

(73) Assignees: **HEFEI MIDEA REFRIGERATOR  
CO., LTD.**, Hefei (CN); **HEFEI  
HUALING CO., LTD.**, Hefei (CN)

D266,000	S	*	8/1982	Kawakami	.....	D15/88
D422,286	S	*	4/2000	Choi	.....	D15/81
D461,482	S	*	8/2002	Wissinger	.....	D15/91
D468,325	S	*	1/2003	Lorek	.....	D15/81
D476,667	S	*	7/2003	Lorek	.....	D15/81
D539,312	S	*	3/2007	Kim	.....	D15/81
D540,831	S	*	4/2007	Kim	.....	D15/81
D752,660	S	*	3/2016	Chen	.....	D15/81

(\*\*) Term: **15 Years**

\* cited by examiner

(21) Appl. No.: **29/612,799**

*Primary Examiner* — Khawaja Anwar

(22) Filed: **Aug. 4, 2017**

(74) *Attorney, Agent, or Firm* — Kilpatrick Townsend &  
Stockton, LLP

(30) **Foreign Application Priority Data**

May 16, 2017 (CN) ..... 2017 3 0180568

(51) **LOC (11) Cl.** ..... **15-07**

(52) **U.S. Cl.**  
USPC ..... **D15/81**

(58) **Field of Classification Search**

USPC ..... D15/79-91

CPC .. F25D 11/00; F25D 17/065; F25D 2325/022;  
F25D 23/069; F25D 25/025; F25D 11/02;  
F25D 17/062; F25D 21/12; F25D 21/125;  
F25D 21/14; F25D 2317/061; F25D  
2317/067; F25D 2323/021; F25D  
2323/024; F25D 23/028; F25D 23/04;  
F25D 23/066; F25D 23/085; F25D  
23/087; F25D 23/126; F25D 2400/02;  
F25D 2400/06; F25D 2400/361; F25D  
2400/40; F25D 25/005; F25D 25/02;

(57) **CLAIM**

The ornamental design for a refrigerator, as shown and described.

**DESCRIPTION**

FIG. 1 is a perspective view of a refrigerator, showing our new design;

FIG. 2 is a front view thereof;

FIG. 3 is a back view thereof;

FIG. 4 is a right side view thereof;

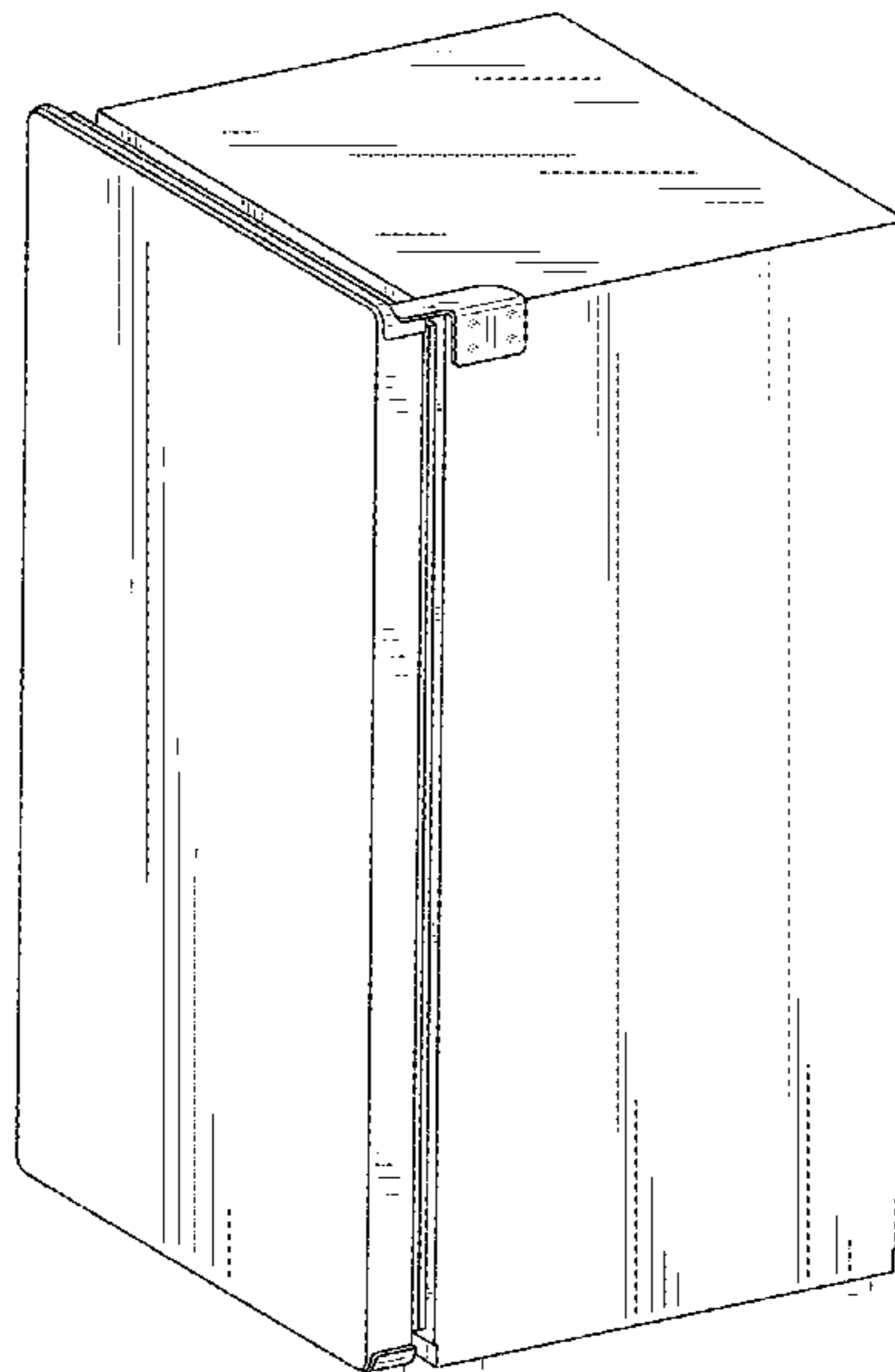
FIG. 5 is a left side view thereof;

FIG. 6 is a top view thereof; and,

FIG. 7 is a bottom view thereof.

The broken lines in the figures are presented for the purpose of illustrating various portions of the refrigerator, and form no part of the claimed design.

**1 Claim, 7 Drawing Sheets**



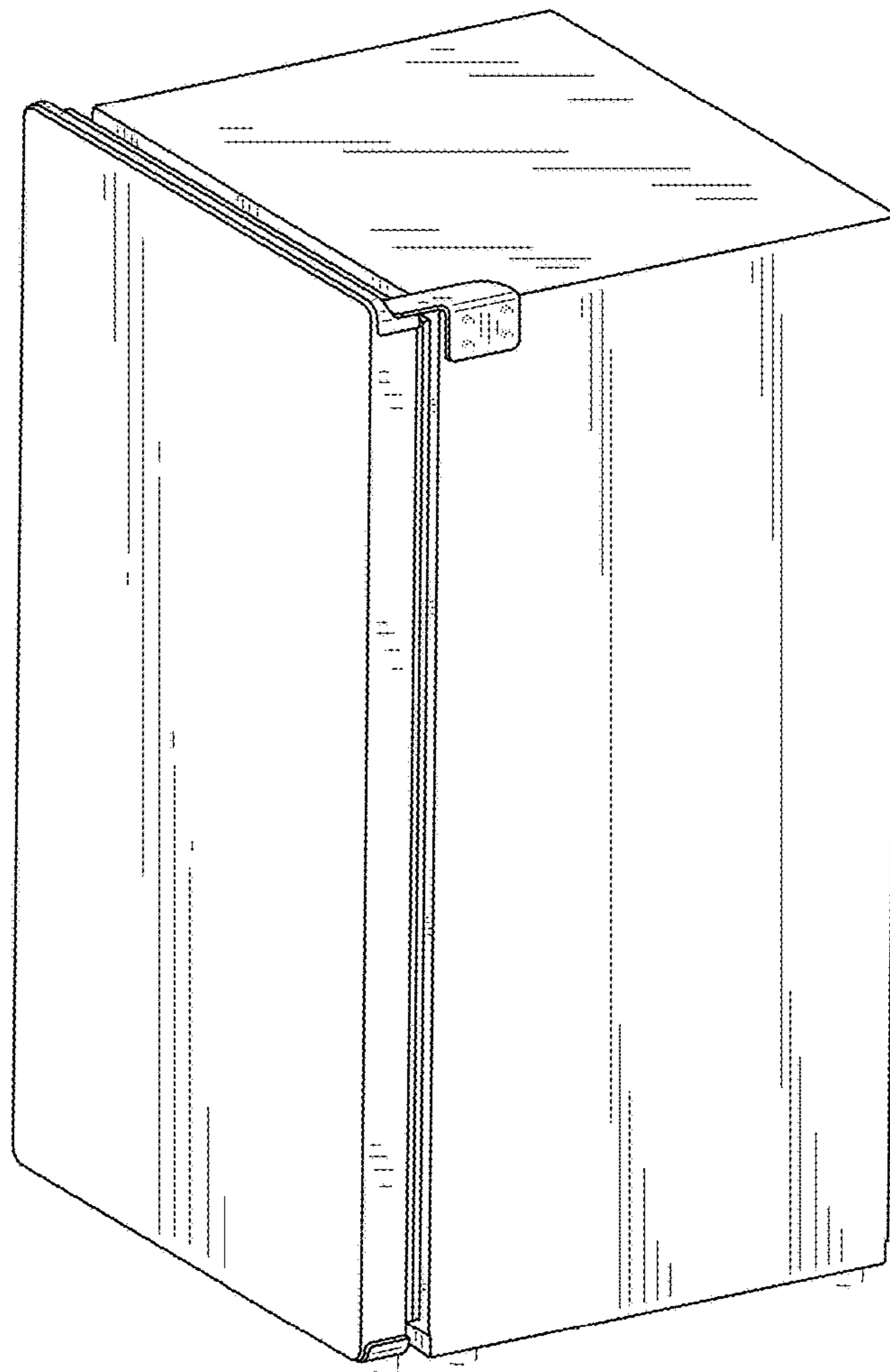


FIG.1

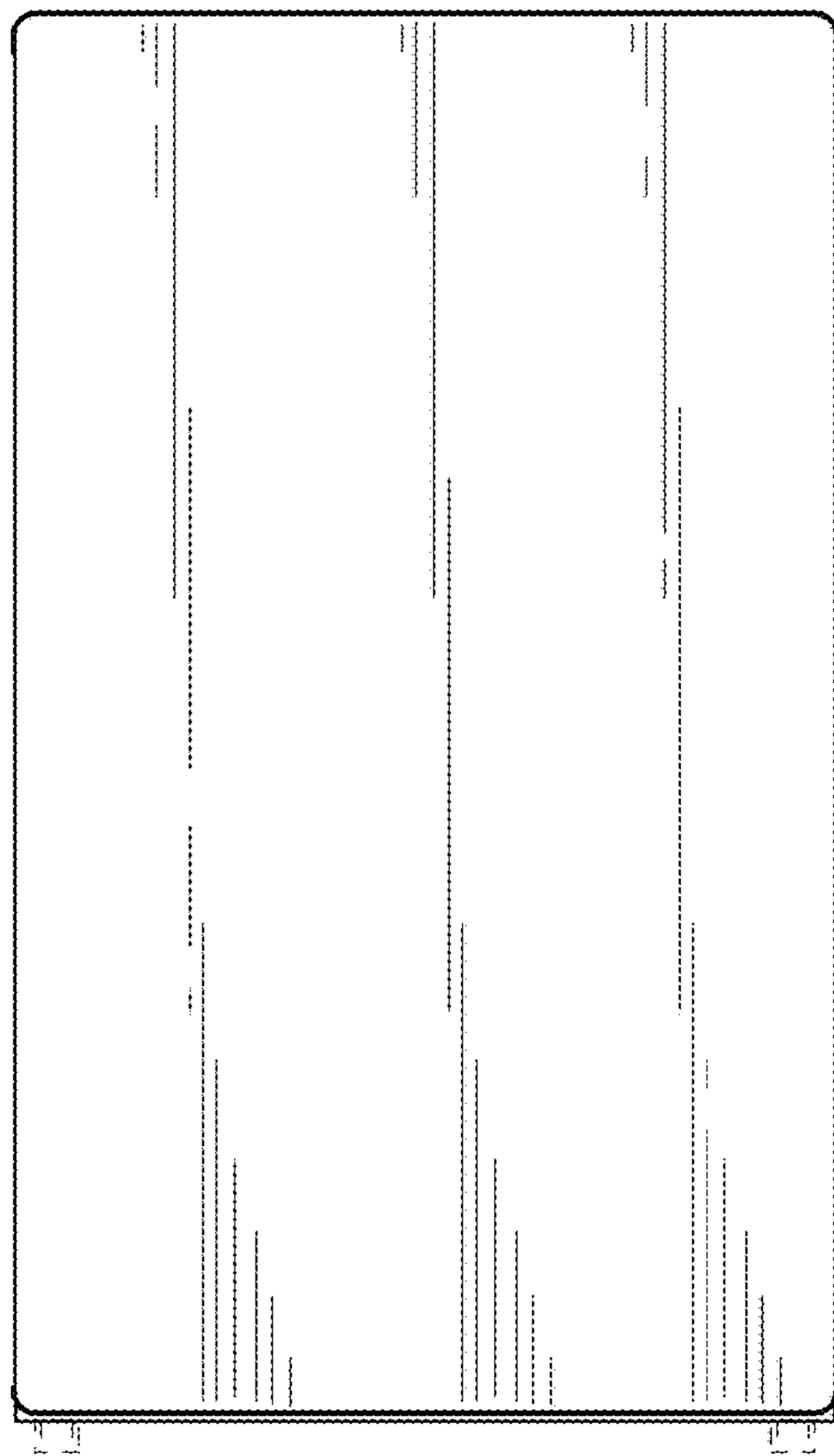


FIG.2

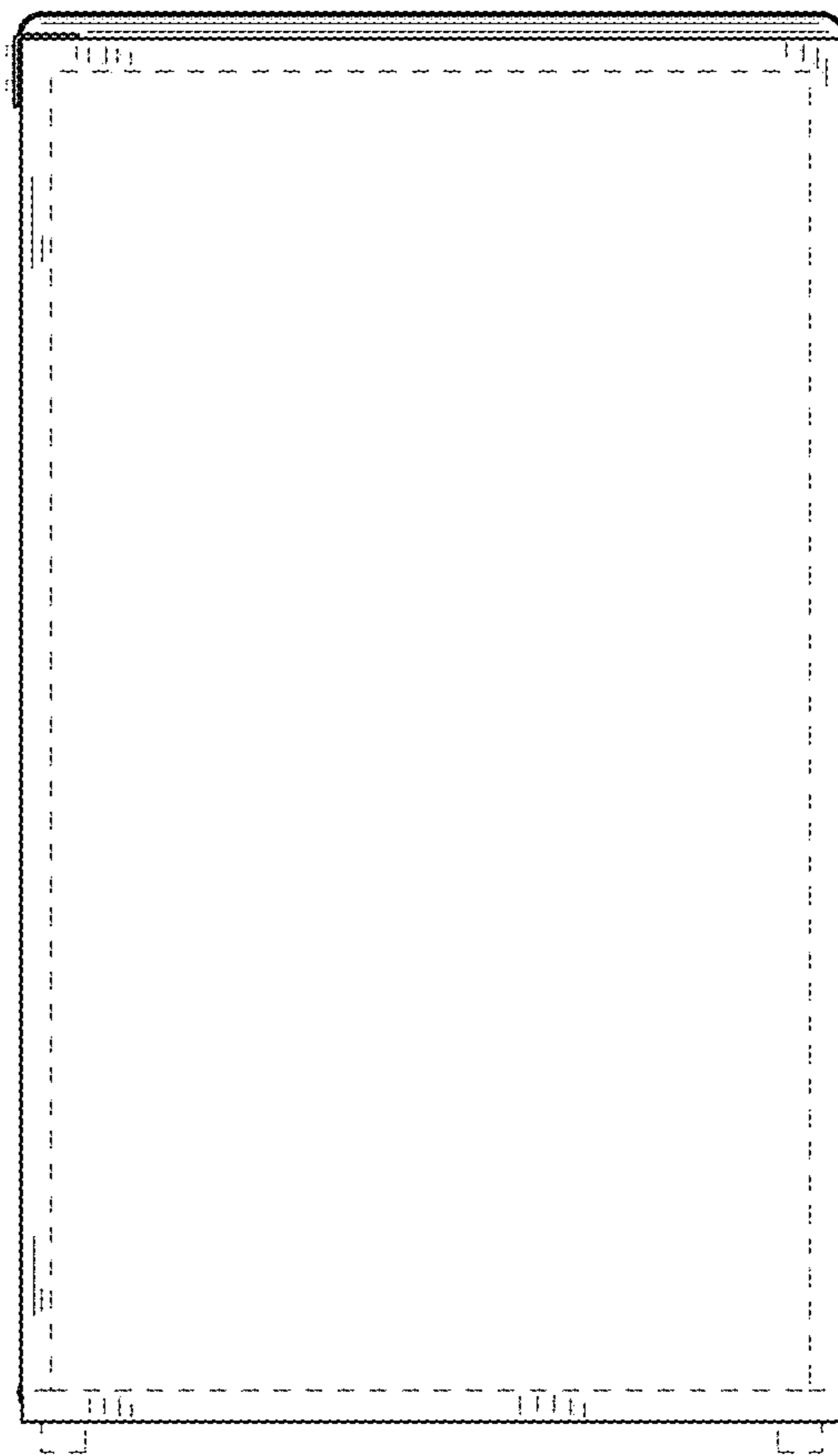


FIG.3

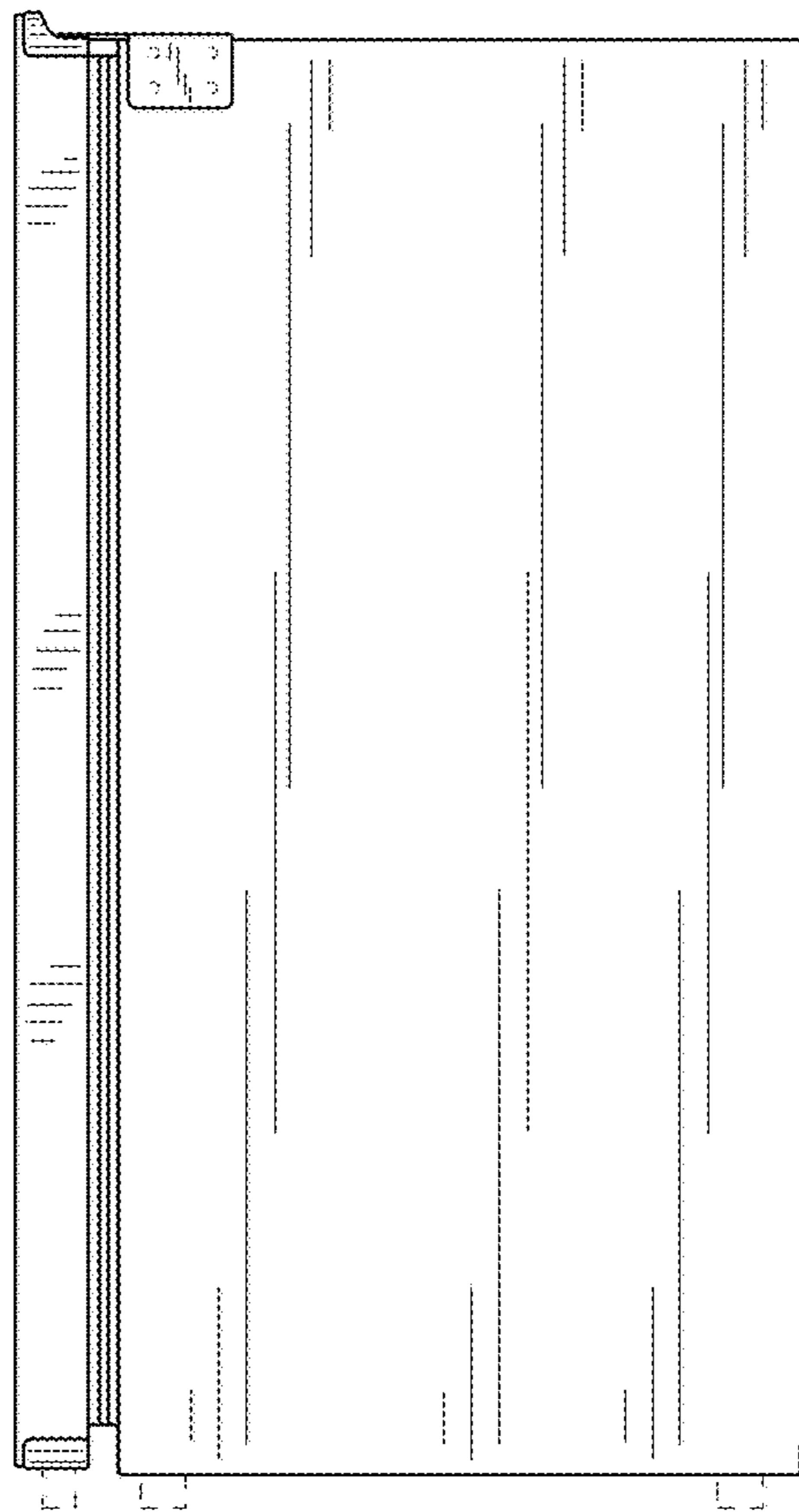


FIG.4

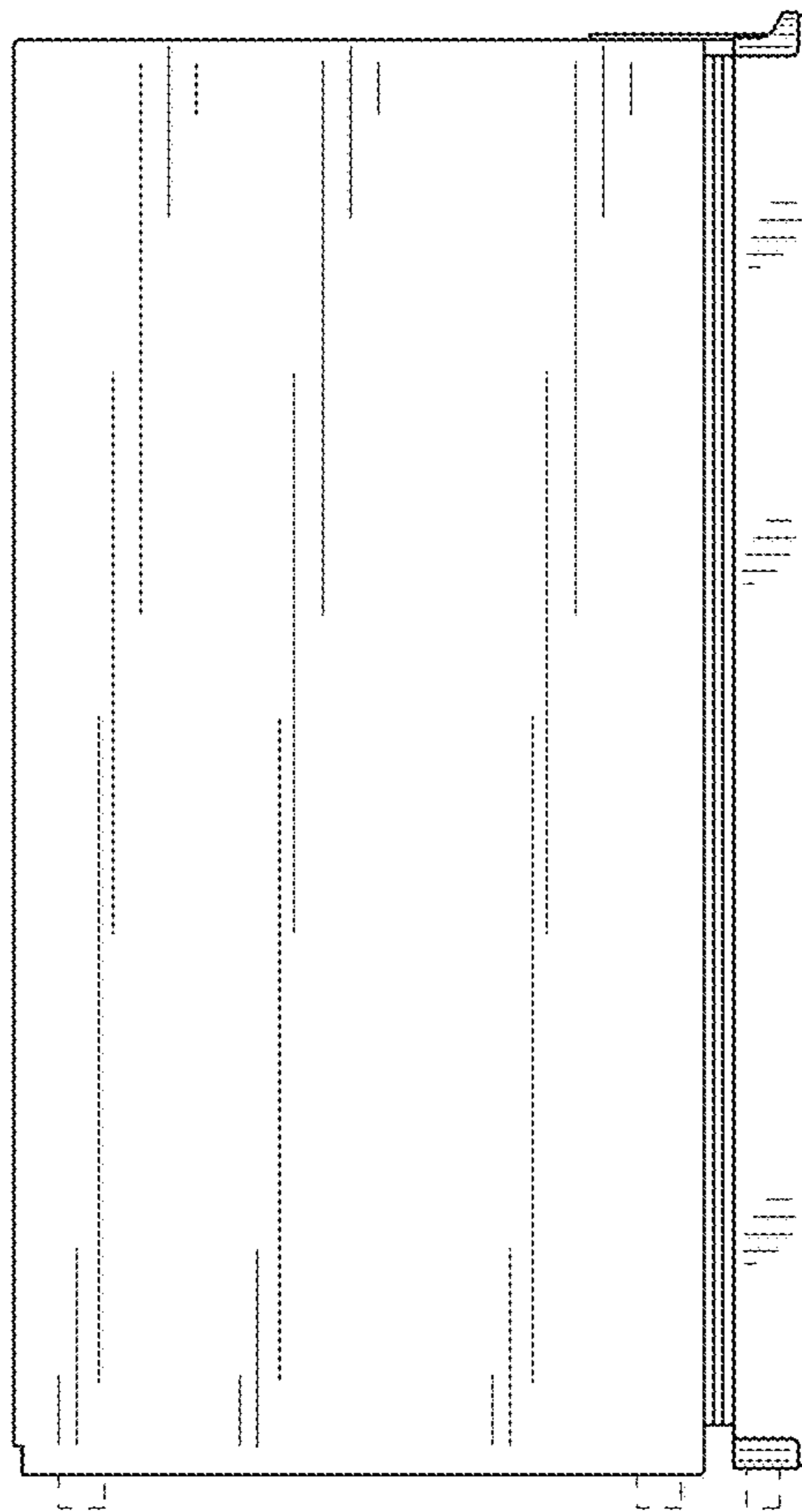


FIG.5

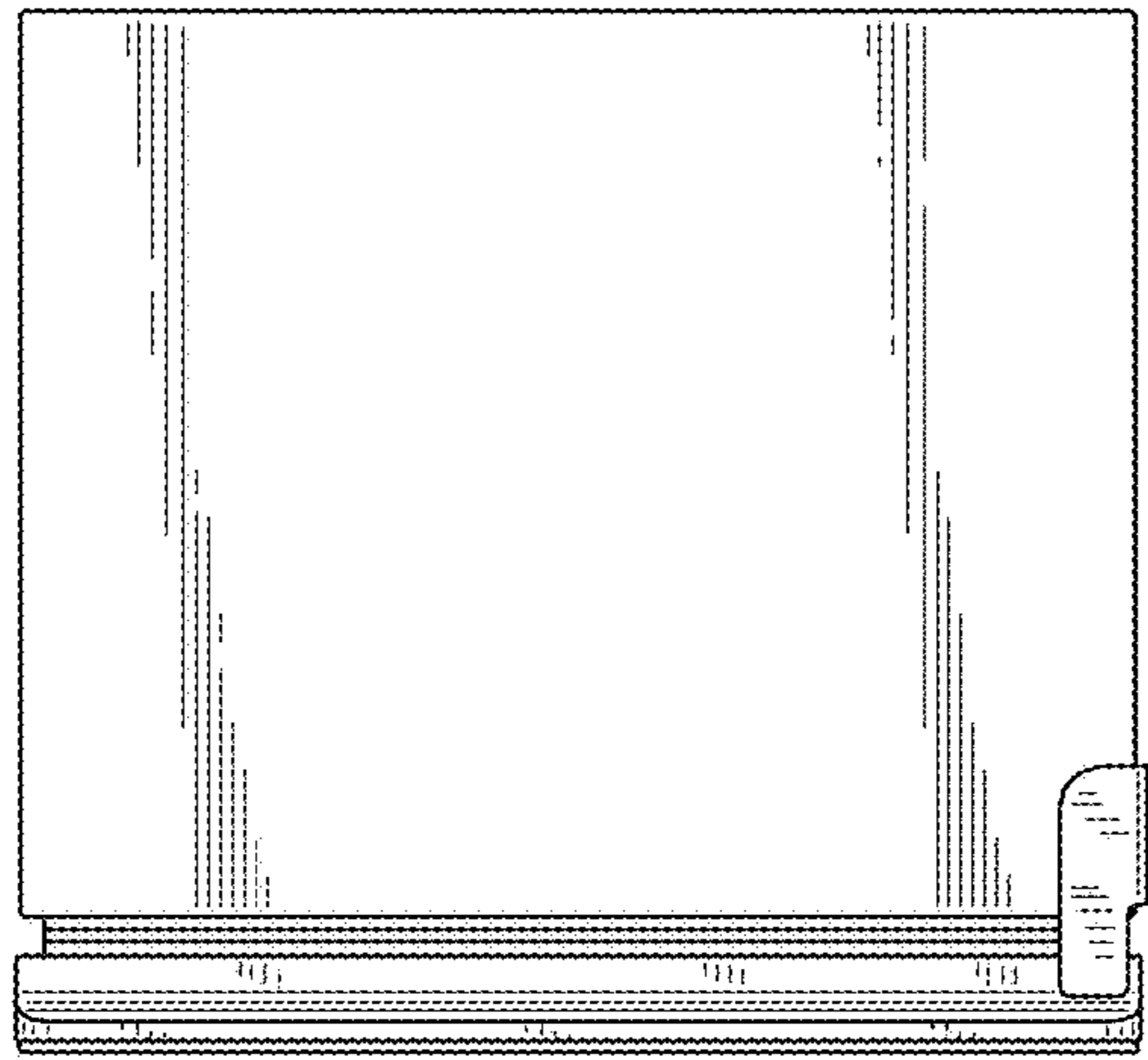


FIG.6

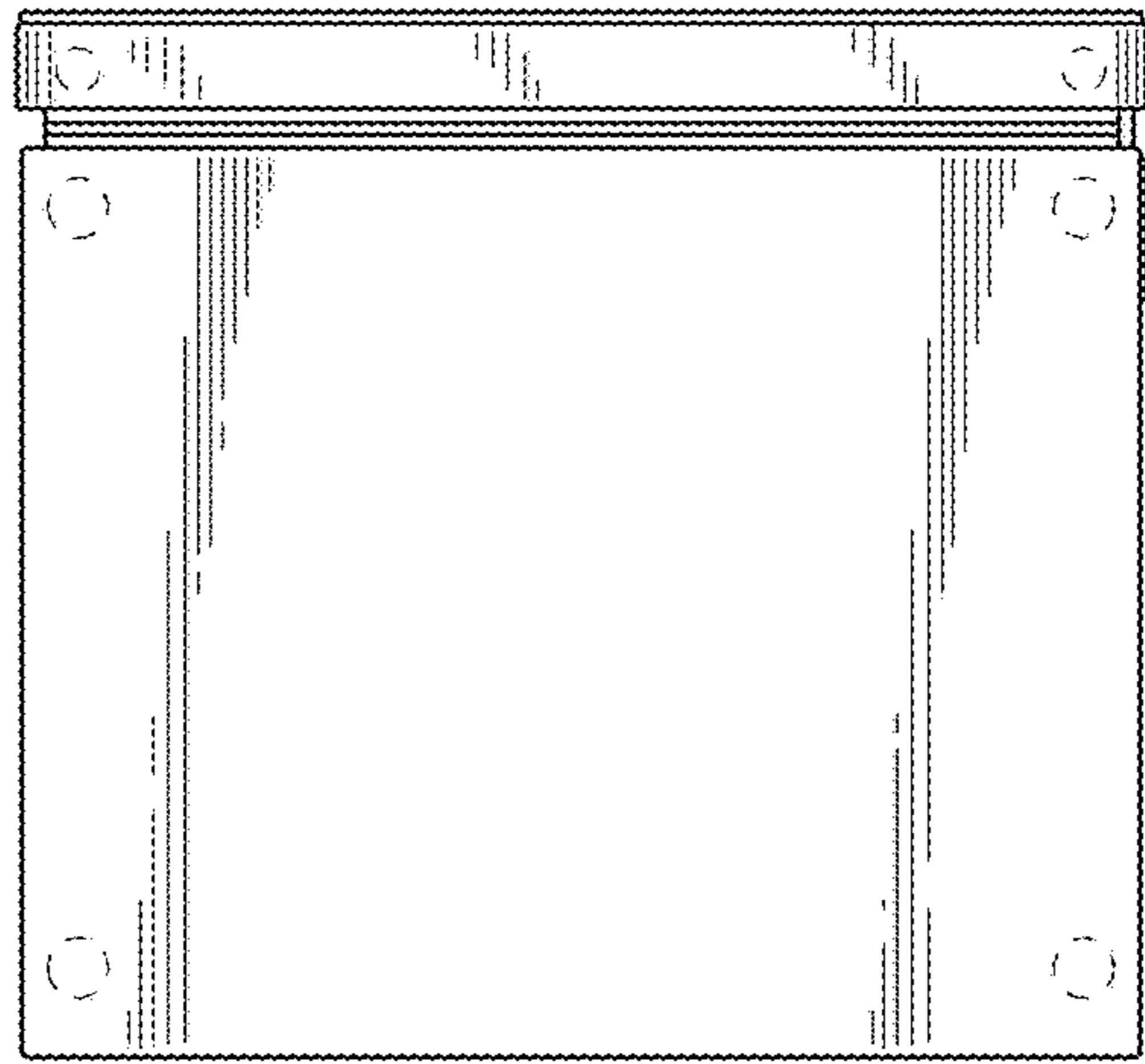


FIG.7