



US00D847213S

(12) **United States Design Patent** (10) **Patent No.:** **US D847,213 S**  
**Kurosaka et al.** (45) **Date of Patent:** **\*\* Apr. 30, 2019**

(54) **COUNTERWEIGHT FOR CONSTRUCTION MACHINE**

(71) Applicant: **Hitachi Construction Machinery Co., Ltd.**, Taito-ku, Tokyo (JP)

(72) Inventors: **Shosei Kurosaka**, Tsuchiura (JP);  
**Takumi Tanba**, Tsuchiura (JP);  
**Shigeru Hirasawa**, Tsuchiura (JP);  
**Kazuhiko Mizoguchi**, Tsuchiura (JP)

(73) Assignee: **Hitachi Construction Machinery Co., Ltd.**, Tokyo (JP)

(\*\*) Term: **15 Years**

(21) Appl. No.: **29/638,512**

(22) Filed: **Feb. 27, 2018**

(30) **Foreign Application Priority Data**

Aug. 31, 2017 (JP) ..... 2017-018830

(51) **LOC (11) Cl.** ..... **15-03**

(52) **U.S. Cl.**  
USPC ..... **D15/28**

(58) **Field of Classification Search**  
USPC ..... D15/10, 22-29, 30, 33, 31; D34/34, 35;  
296/193.03, 193.08; 172/611, 776;  
180/69.24, 89.1, 89.12, 89.13, 900, 326;  
37/443, 379; 414/601, 602, 685, 687,  
414/688, 694, 722-724, 699, 680, 698,  
414/719, 743  
CPC ..... E02F 9/18; B62D 49/085; B62D 49/08;  
B66C 23/72; B66C 23/74  
See application file for complete search history.

(56) **References Cited**

**U.S. PATENT DOCUMENTS**

D559,279 S \* 1/2008 Sakitani ..... D15/28  
D579,465 S \* 10/2008 Ochi ..... D15/28  
D582,947 S \* 12/2008 Ueta ..... D15/28

D587,285 S \* 2/2009 Murakami ..... D15/28  
D678,358 S \* 3/2013 Hiraok ..... D15/28  
D678,359 S \* 3/2013 Hagura ..... D15/28  
D680,136 S \* 4/2013 Tsukamoto ..... D15/28  
D725,157 S \* 3/2015 Higuchi ..... D15/28  
D767,644 S \* 9/2016 Underhill ..... D15/28  
D768,209 S \* 10/2016 Jilbert ..... D15/28  
D774,105 S \* 12/2016 Jilbert ..... D15/28

**FOREIGN PATENT DOCUMENTS**

JP D1452045 S 10/2012

**OTHER PUBLICATIONS**

U.S. Appl. No. 29/638,523, filed Feb. 27, 2018.

\* cited by examiner

*Primary Examiner* — Mark A Goodwin

(74) *Attorney, Agent, or Firm* — Crowell & Moring LLP

(57) **CLAIM**

The ornamental design for a counterweight for construction machine, as shown and described.

**DESCRIPTION**

This application contains subject matter related to the following co-pending U.S. design patent application: Application Ser. No. 29/638,523, filed herewith and entitled "Hydraulic Excavator".

FIG. 1 is a front, top and left side perspective view of a counterweight for construction machine showing our new design;

FIG. 2 is a rear, top and right side perspective view thereof;

FIG. 3 is a front elevational view thereof;

FIG. 4 is a right side elevational view thereof;

FIG. 5 is a left side elevational view thereof;

FIG. 6 is a top plan view thereof;

FIG. 7 is a bottom plan view thereof; and,

FIG. 8 is a rear elevational view thereof.

**1 Claim, 4 Drawing Sheets**

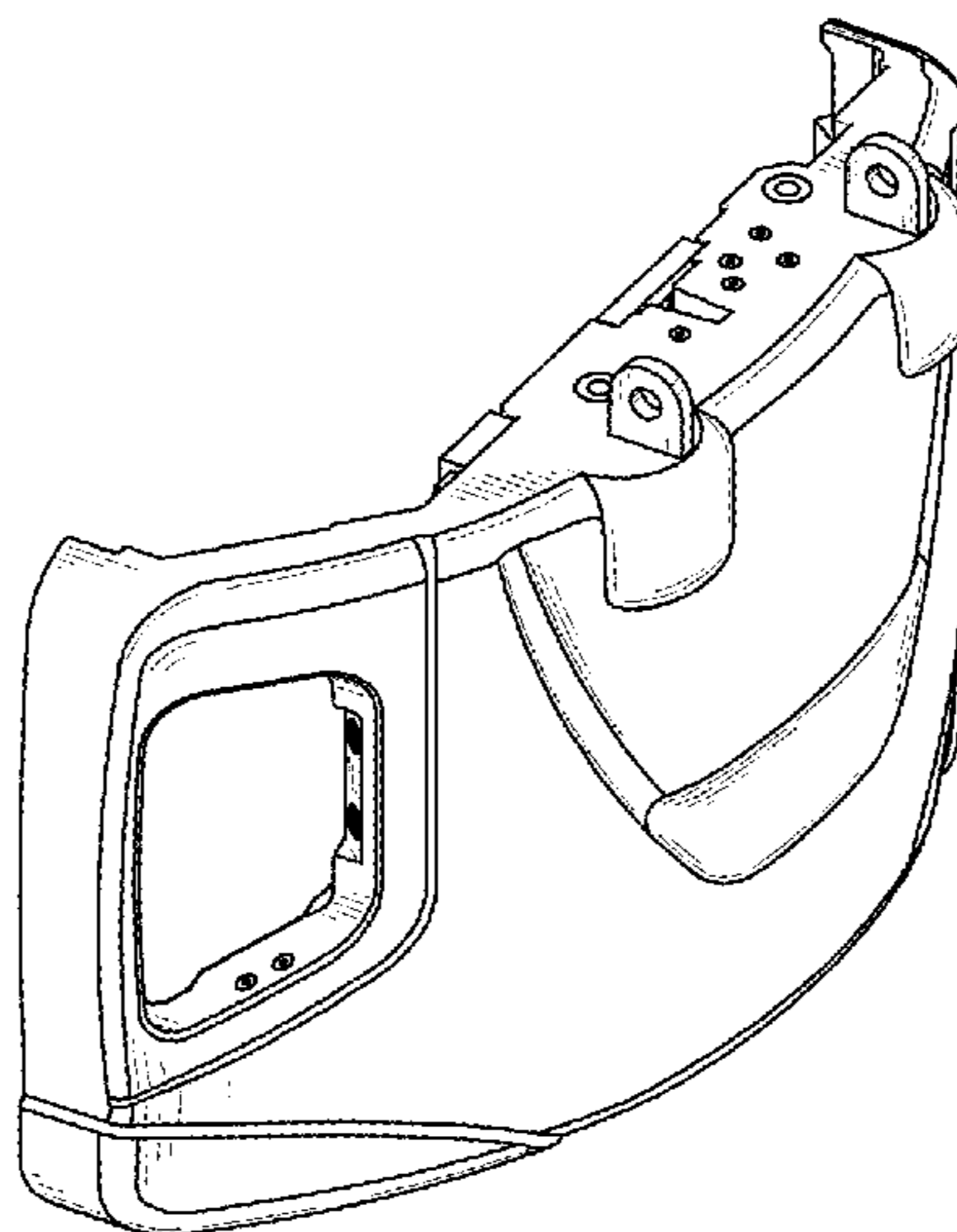


FIG. 1

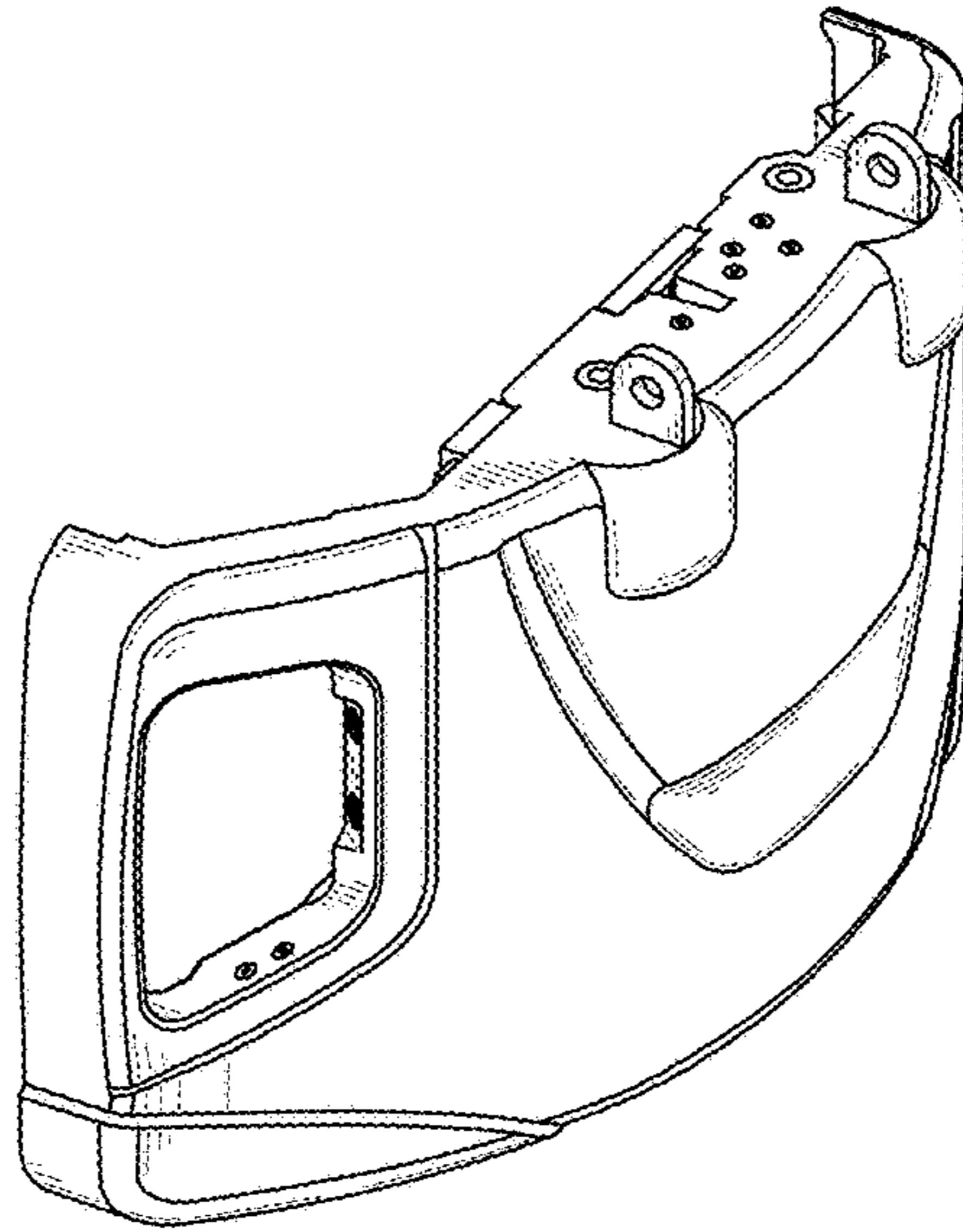


FIG. 2

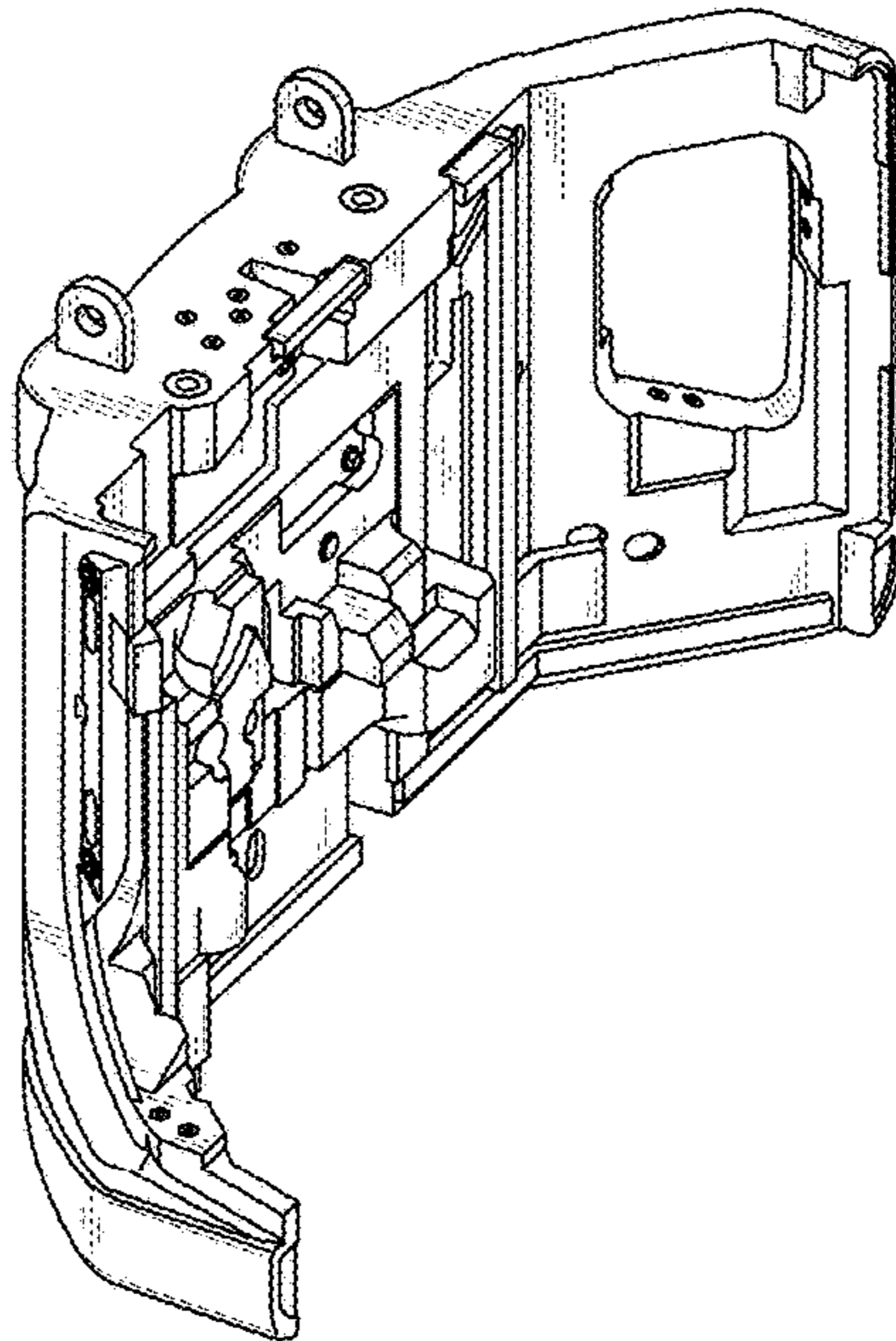


FIG. 3

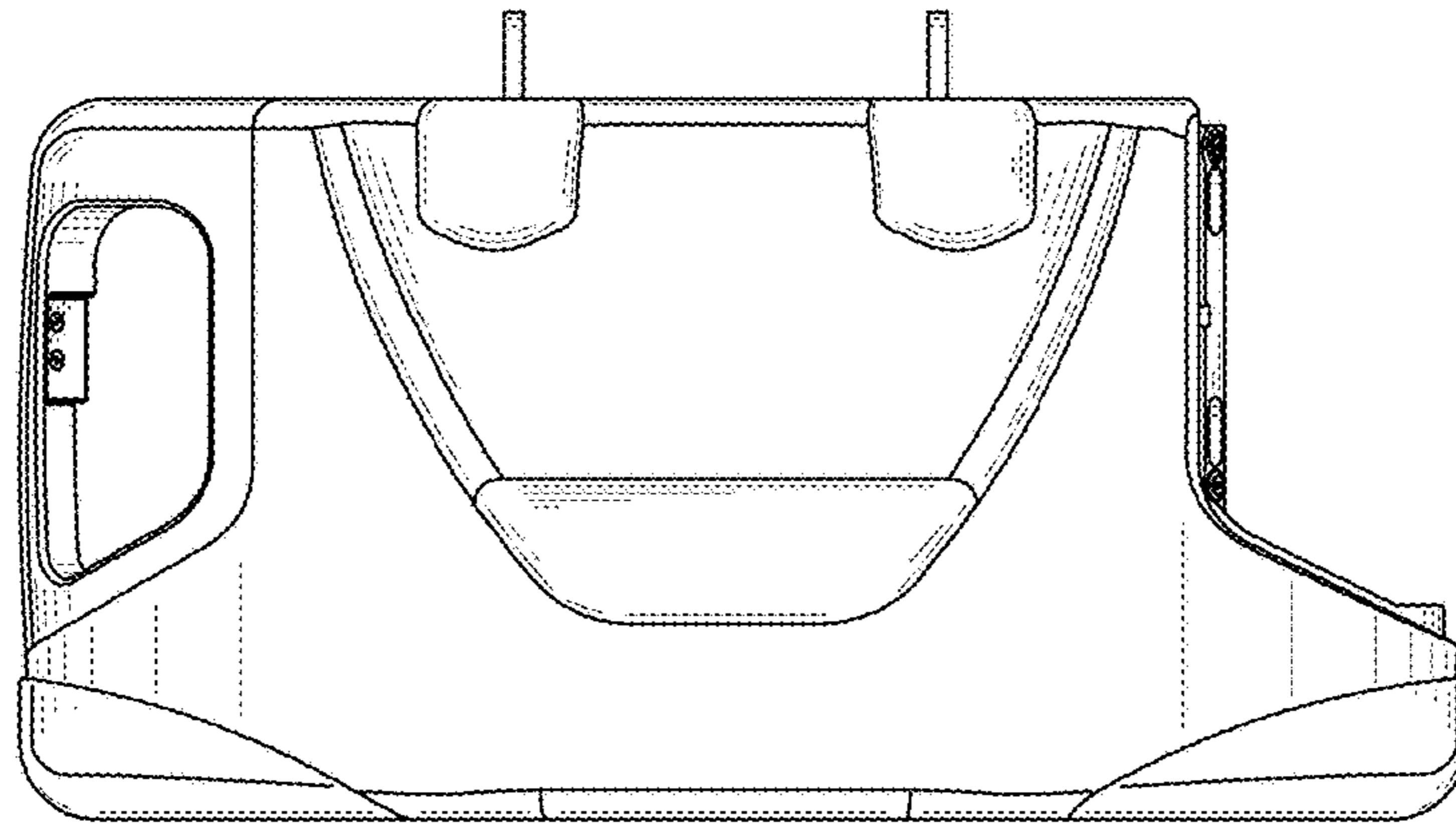


FIG. 4

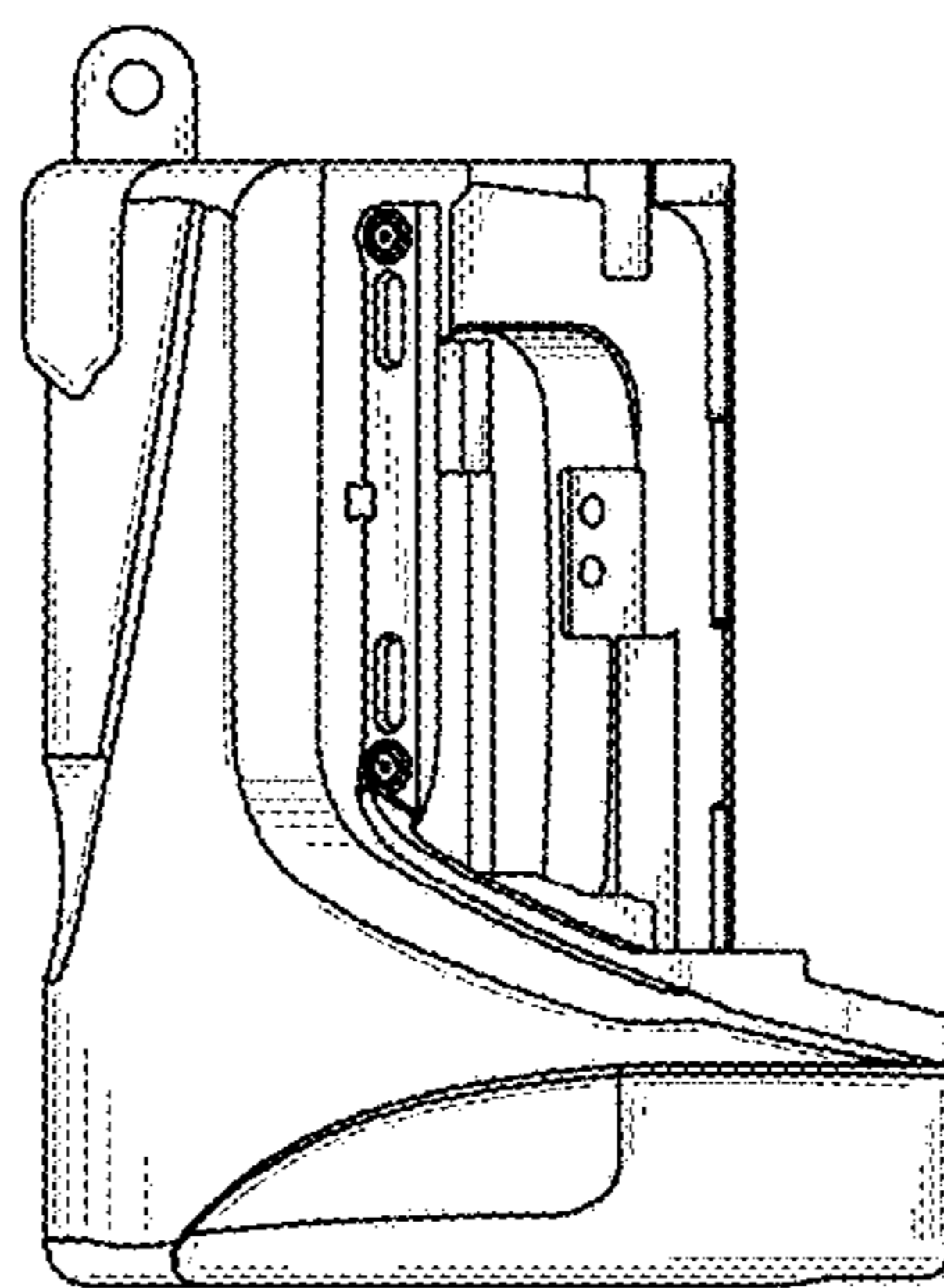


FIG. 5

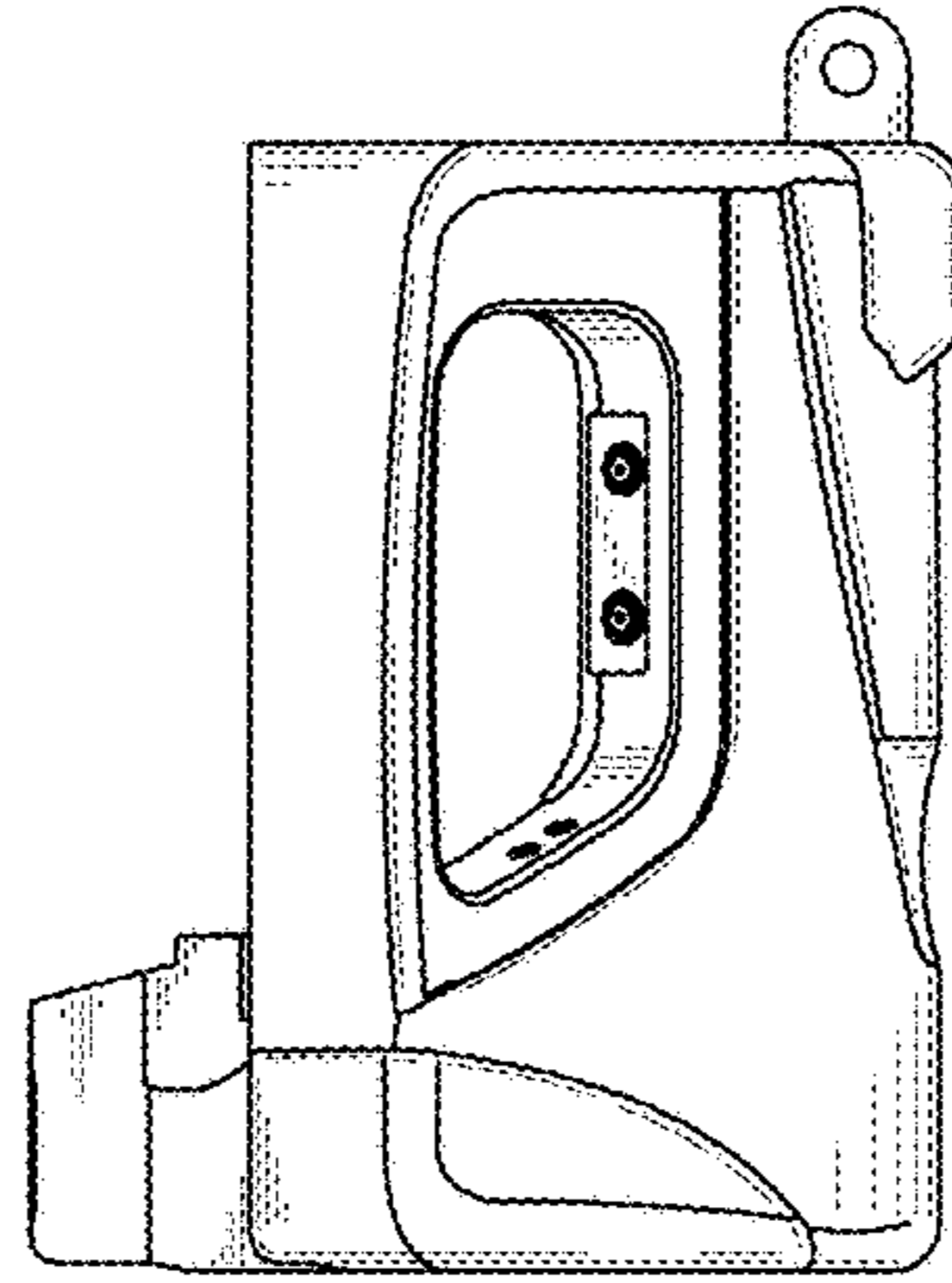


FIG. 6

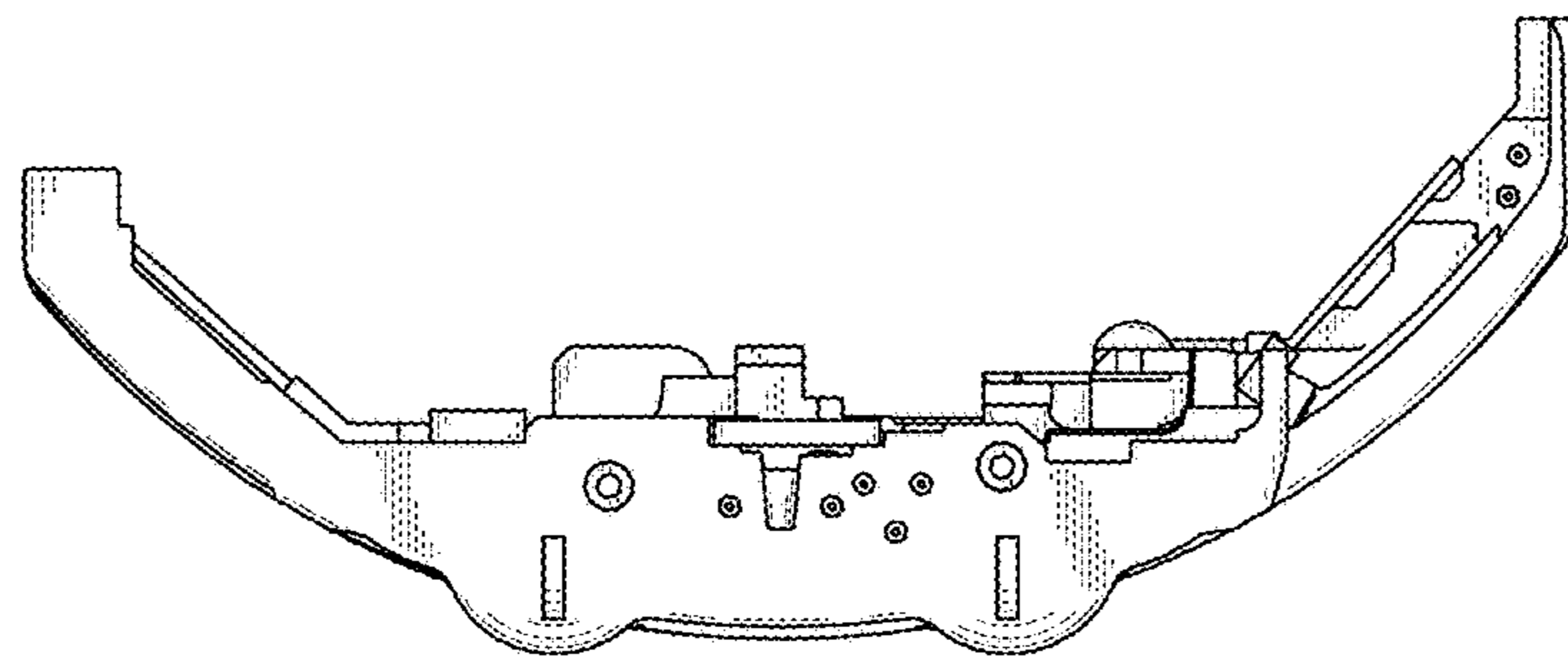


FIG. 7

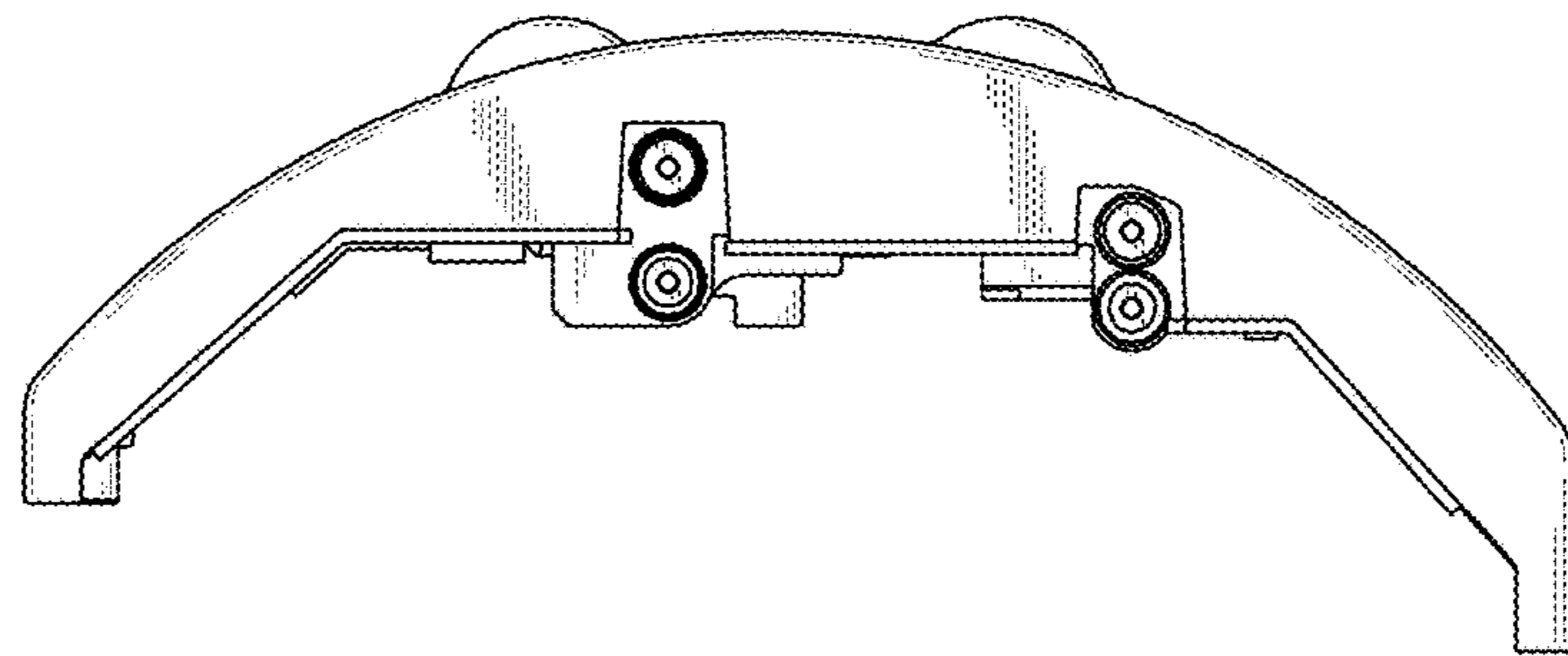


FIG. 8

