



US00D847212S

(12) **United States Design Patent** (10) **Patent No.:** **US D847,212 S**
Dienst et al. (45) **Date of Patent:** **** Apr. 30, 2019**

(54) **AGRICULTURAL PLANTER**

(56) **References Cited**

(71) Applicant: **CNH Industrial America LLC**, New Holland, PA (US)

U.S. PATENT DOCUMENTS

(72) Inventors: **Johnathon R. Dienst**, Maple Park, IL (US); **John Joseph Schrepferman**, Saint Charles, IL (US); **Richard Justice**, South Bend, IN (US); **Michael J. Connors**, Lockport, IL (US); **Brandon James Kuboushek**, New Lenox, IL (US); **Jacob A. Weis**, Bolingbrook, IL (US); **Travis Lester Harnetiaux**, Bourbonnais, IL (US)

D469,782	S	*	2/2003	Paluch	D15/10
6,935,254	B2	*	8/2005	Ostrander	A01B 73/065 111/174
D559,868	S	*	1/2008	Nanlawala	D15/10
D627,373	S	*	11/2010	Prickel	D15/10
D628,214	S	*	11/2010	Knobloch	D15/27
D629,426	S	*	12/2010	Prickel	D15/10
D629,427	S	*	12/2010	Prickel	D15/10
D631,068	S	*	1/2011	Prickel	D15/10
D646,699	S	*	10/2011	Knobloch	D15/27
D667,847	S	*	9/2012	Kovach	A01B 49/02 D15/11
D680,559	S	*	4/2013	Blunier	D15/10
D758,458	S	*	6/2016	Anderson	D15/10
D766,333	S	*	9/2016	Anderson	D15/27
D813,915	S	*	3/2018	Horsch	D15/27

(73) Assignee: **CNH Industrial America LLC**, New Holland, PA (US)

(**) Term: **15 Years**

(Continued)

(21) Appl. No.: **29/638,910**

Primary Examiner — Mark A Goodwin

(22) Filed: **Mar. 1, 2018**

(74) *Attorney, Agent, or Firm* — Rebecca L. Henkel;
Rickard K. DeMille

(51) **LOC (11) Cl.** **15-03**

(52) **U.S. Cl.**
USPC **D15/27**

(57) **CLAIM**

(58) **Field of Classification Search**
USPC D15/10, 12, 27, 28; 56/15.8, 15.9;
172/311, 210, 466, 484, 456, 481, 605,
172/626, 776, 507; 280/411.1, 412, 413,
280/415 A, 415 R, 482, 656
CPC A01B 73/065; A01B 73/005; A01B 73/00;
A01B 73/02; A01B 73/04; A01B 73/06;
A01B 49/06; A01B 49/00; A01B 61/044;
A01B 61/048; A01B 5/04; A01B 49/027;
A01B 73/046; A01B 73/048; A01B
63/002; A01B 63/14; A01B 63/32; A01B
63/118; A01C 7/208; A01C 7/18; A01C
7/00; A01C 7/20; A01C 7/06; A01C
5/064; A01C 5/068; A01C 7/203; A01C
7/205; A01C 7/206; Y10S 111/921; Y10S
111/923; Y10S 111/924; Y10S 111/925

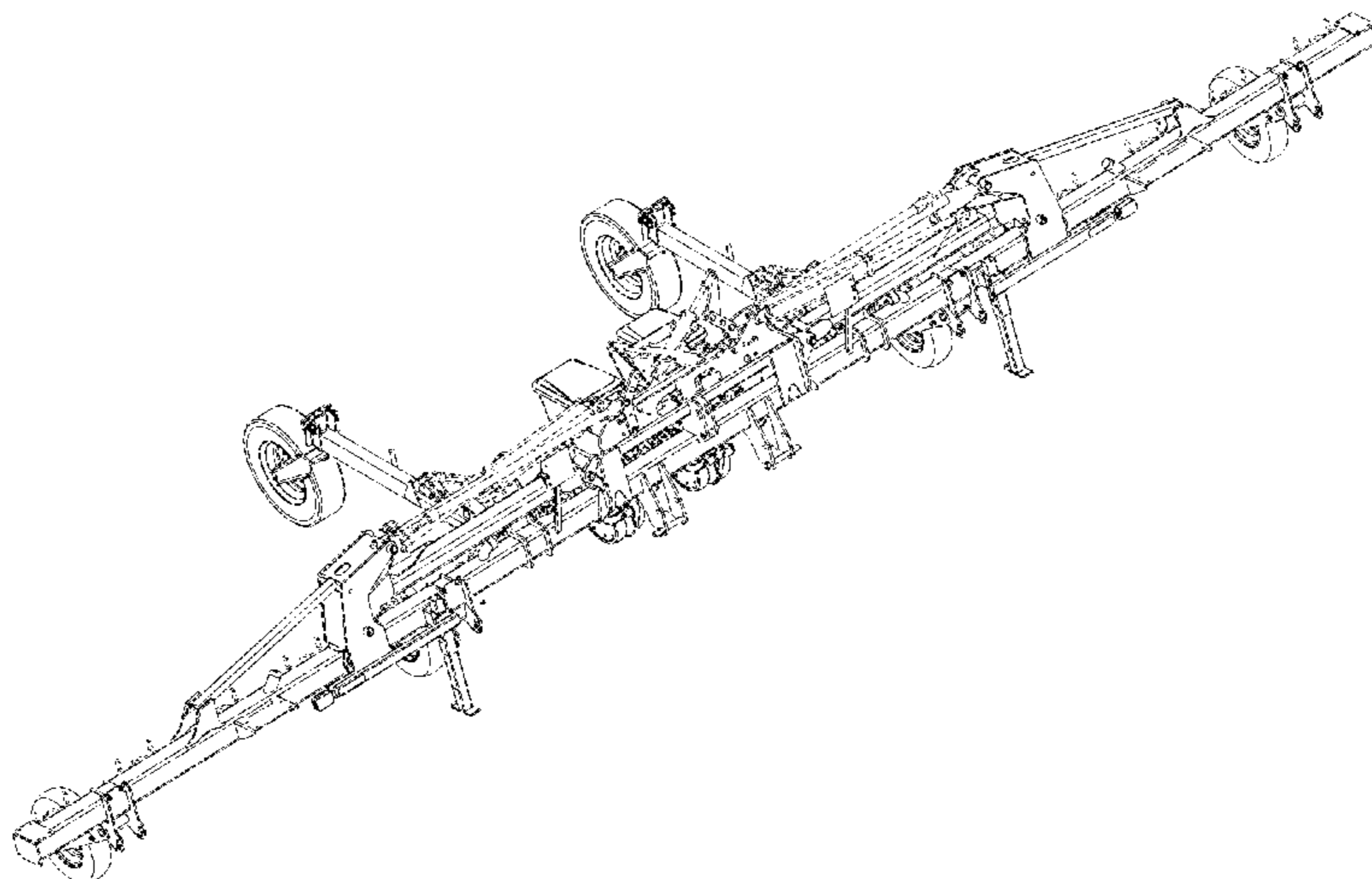
The ornamental design for an agricultural planter, substantially as shown and described.

See application file for complete search history.

DESCRIPTION

FIG. 1 is a perspective view of an agricultural planter; FIG. 2 is a front view of the agricultural planter; FIG. 3 is a back view of the agricultural planter; FIG. 4 is a right side view of the agricultural planter; FIG. 5 is a left side view of the agricultural planter; FIG. 6 is a top view of the agricultural planter; and, FIG. 7 is a bottom view of the agricultural planter. Phantom lines, where utilized, are for illustrative purposes only and form no part of the claimed design.

1 Claim, 7 Drawing Sheets



(56)

References Cited

U.S. PATENT DOCUMENTS

D823,348 S * 7/2018 Sudbrink D15/27
2003/0164126 A1* 9/2003 Paluch A01C 7/06
111/57
2003/0164127 A1* 9/2003 Paluch A01B 61/044
111/200
2009/0178600 A1* 7/2009 Horn A01C 15/006
111/52
2009/0199750 A1* 8/2009 Rice A01C 19/04
111/52
2009/0229501 A1* 9/2009 Jaime A01B 73/065
111/55
2010/0126743 A1* 5/2010 Poole A01B 73/065
172/311
2010/0126744 A1* 5/2010 Poole A01B 73/065
172/311
2014/0190980 A1 7/2014 Long et al.

* cited by examiner

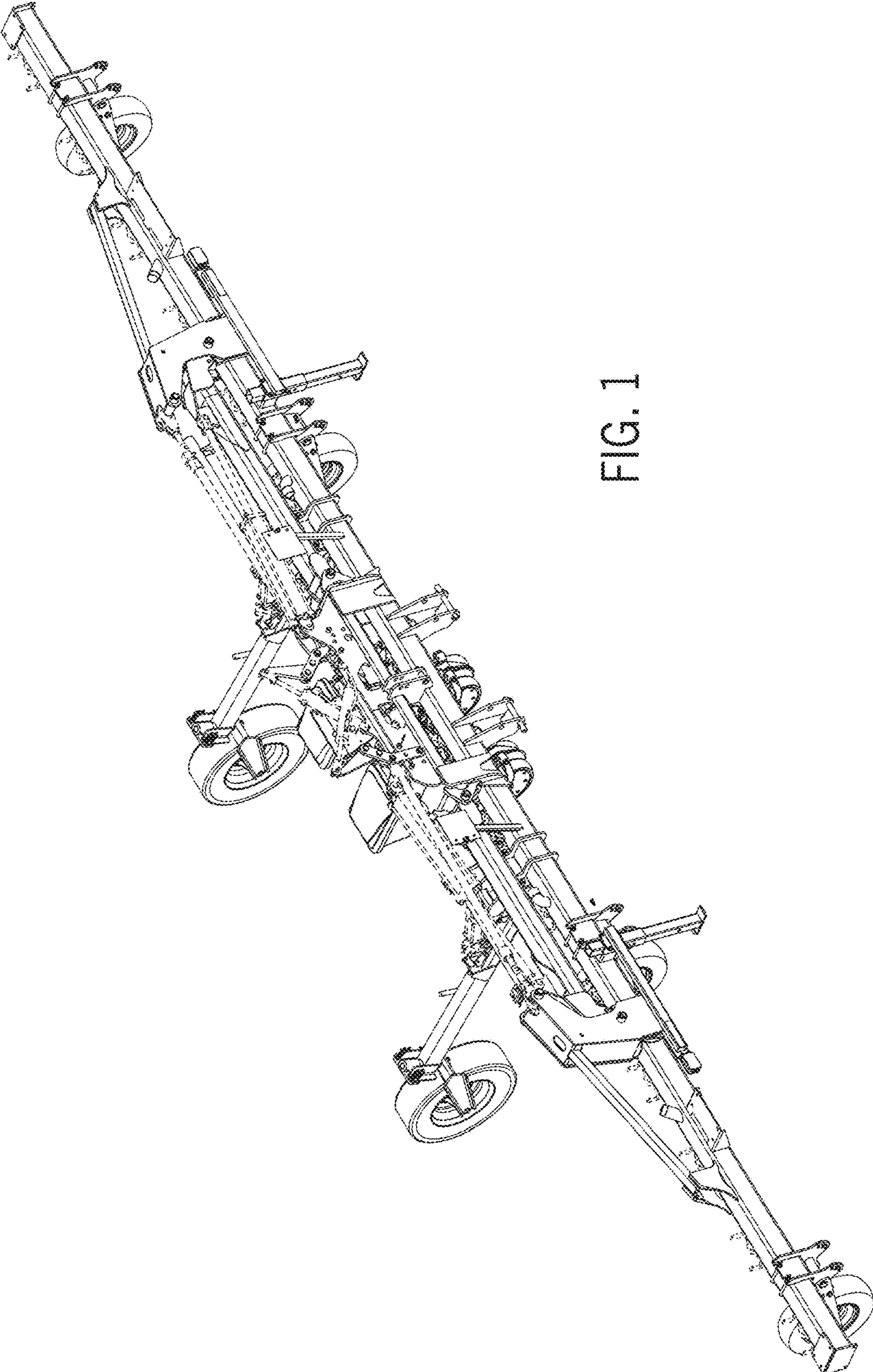


FIG. 1

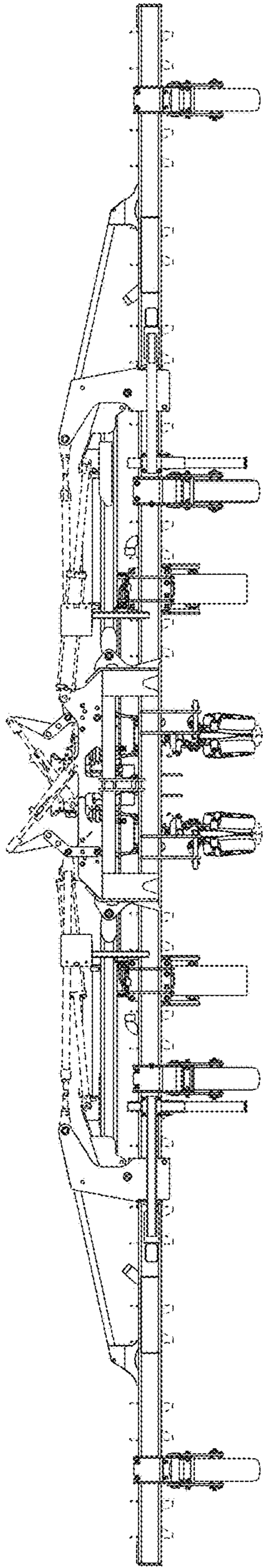


FIG. 2

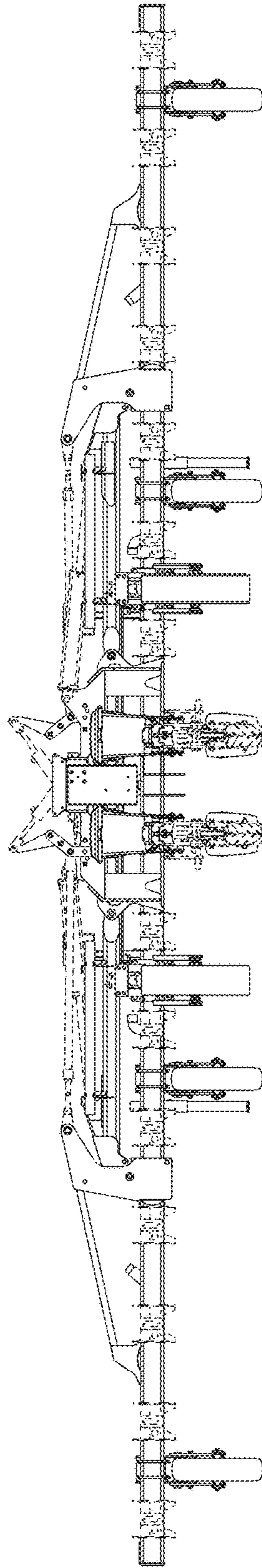


FIG. 3

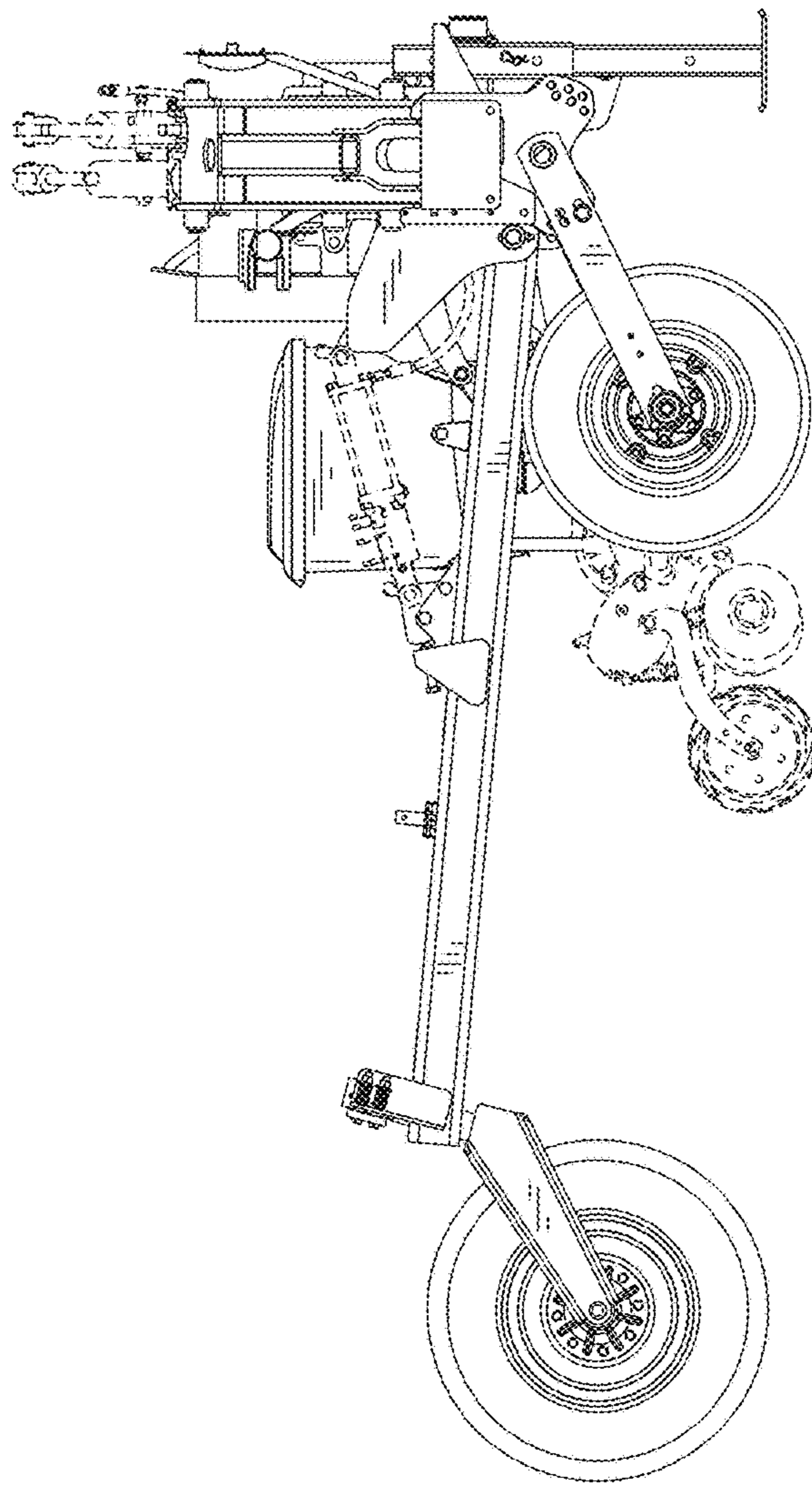


FIG. 4

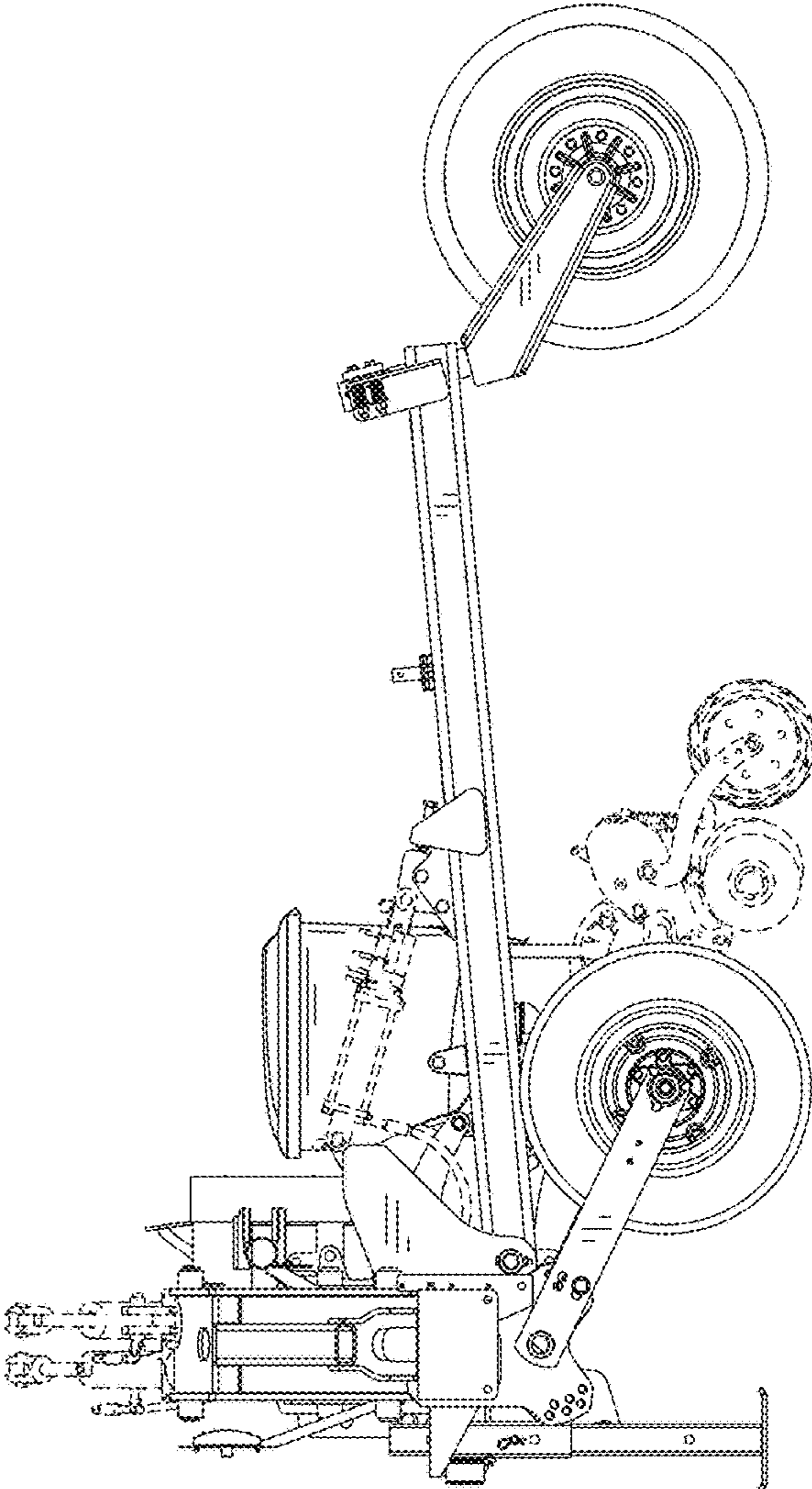


FIG. 5

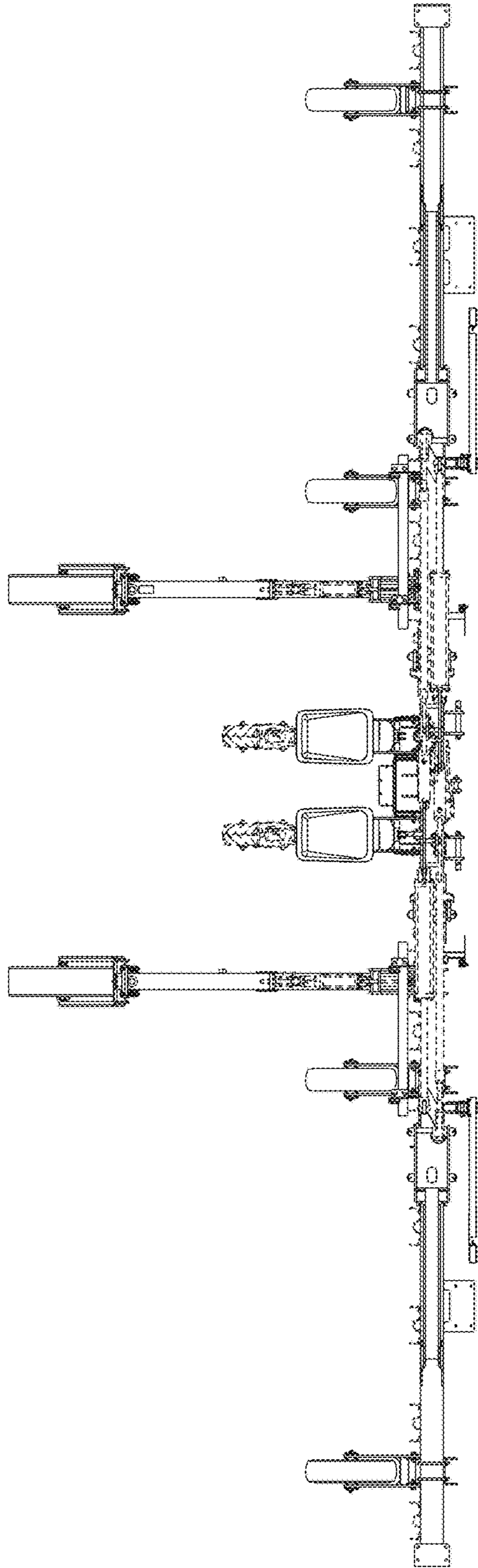


FIG. 6

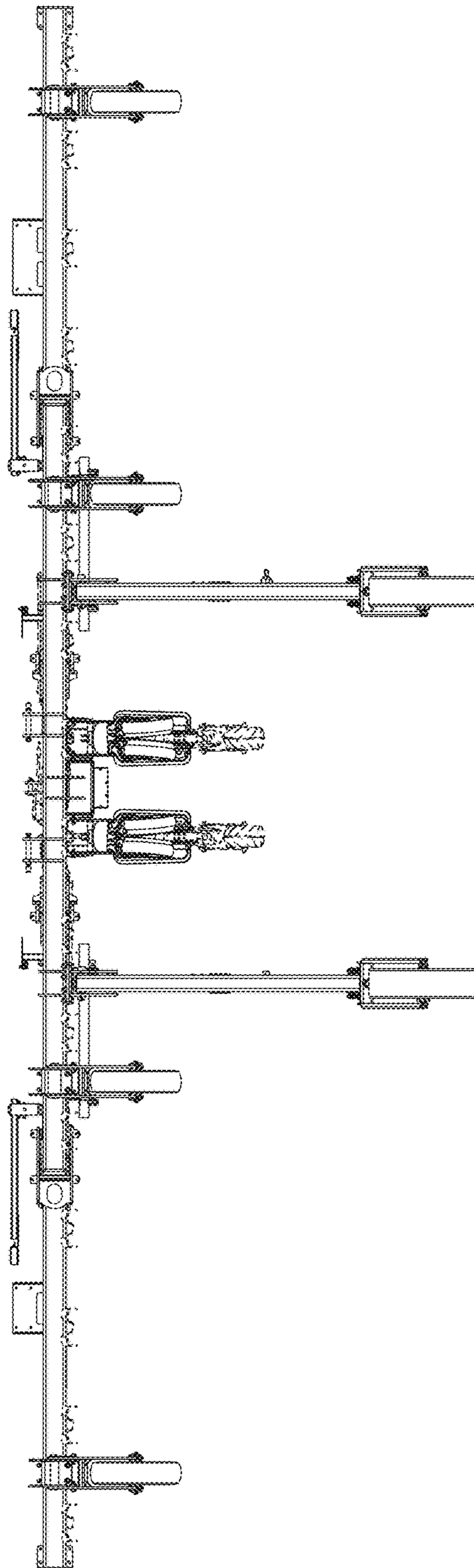


FIG. 7