



US00D847211S

(12) **United States Design Patent** (10) **Patent No.:** **US D847,211 S**  
**Shi** (45) **Date of Patent:** **\*\* Apr. 30, 2019**

(54) **DRILLING RISER BUOYANCY MODULE**  
(71) Applicant: **CBM International, Inc.**, Houston, TX (US)  
(72) Inventor: **Shan Shi**, Houston, TX (US)  
(\*\*) Term: **15 Years**  
(21) Appl. No.: **29/549,624**  
(22) Filed: **Dec. 28, 2015**  
(51) **LOC (11) Cl.** ..... **15-03**  
(52) **U.S. Cl.**  
USPC ..... **D15/21**  
(58) **Field of Classification Search**  
USPC ..... D15/21; 441/133; 405/216; 166/345, 166/350, 367  
CPC ..... E21B 17/01; E21B 17/012; B63B 22/00  
See application file for complete search history.

(56) **References Cited**

**U.S. PATENT DOCUMENTS**

6,712,559	B2 *	3/2004	Lenormand	.....	E21B 17/012 166/350
6,948,884	B2 *	9/2005	Xu	.....	E21B 17/01 405/211
7,628,665	B1 *	12/2009	Cook	.....	E21B 17/012 405/195.1
8,443,896	B2 *	5/2013	Howard	.....	E21B 17/012 166/345
9,039,328	B2 *	5/2015	Melymuk	.....	F16L 1/24 405/171
10,006,254	B2 *	6/2018	Shi	.....	E21B 17/012
2002/0168232	A1 *	11/2002	Xu	.....	E21B 17/01 405/224
2005/0241832	A1 *	11/2005	Jones	.....	E21B 17/012 166/367
2008/0213048	A1 *	9/2008	Jones	.....	E21B 17/012 405/224.2
2010/0307762	A1 *	12/2010	Howard	.....	E21B 17/012 166/350

\* cited by examiner

*Primary Examiner* — Mark A Goodwin  
(74) *Attorney, Agent, or Firm* — Pierson IP, PLLC

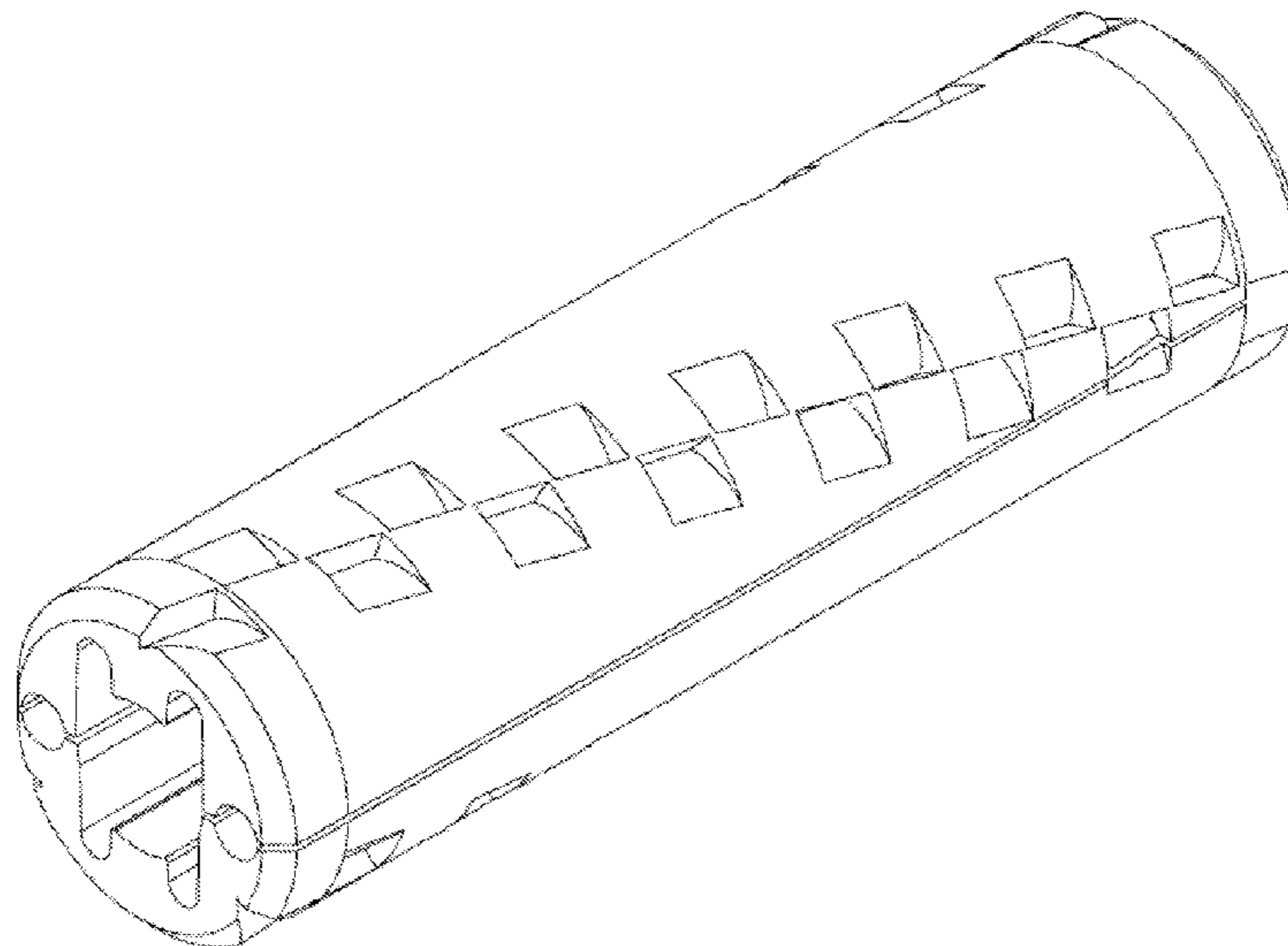
(57) **CLAIM**

The ornamental design for a drilling riser buoyancy module, as shown and described.

**DESCRIPTION**

FIG. 1 is a perspective view of a drilling riser buoyancy module showing our new design thereof;  
FIG. 2 is a top view of the drilling riser buoyancy module shown in FIG. 1;  
FIG. 3 is a front view of the drilling riser buoyancy module shown in FIG. 1;  
FIG. 4 is a back side view of the drilling riser buoyancy module shown in FIG. 1;  
FIG. 5 is a bottom view of the drilling riser buoyancy module shown in FIG. 1;  
FIG. 6 is a side view of the drilling riser buoyancy module shown in FIG. 1;  
FIG. 7 is a cross view of the drilling riser buoyancy module shown in FIG. 1;  
FIG. 8 is a perspective view of a drilling riser buoyancy module showing an alternative embodiment of our new design thereof;  
FIG. 9 is a top view of the drilling riser buoyancy module shown in FIG. 8;  
FIG. 10 is a front view of the drilling riser buoyancy module shown in FIG. 8;  
FIG. 11 is a back side view of the drilling riser buoyancy module shown in FIG. 8;  
FIG. 12 is a bottom view of the drilling riser buoyancy module shown in FIG. 8;  
FIG. 13 is a side view of the drilling riser buoyancy module shown in FIG. 8; and,  
FIG. 14 is a cross view of the drilling riser buoyancy module shown in FIG. 8.

**1 Claim, 7 Drawing Sheets**



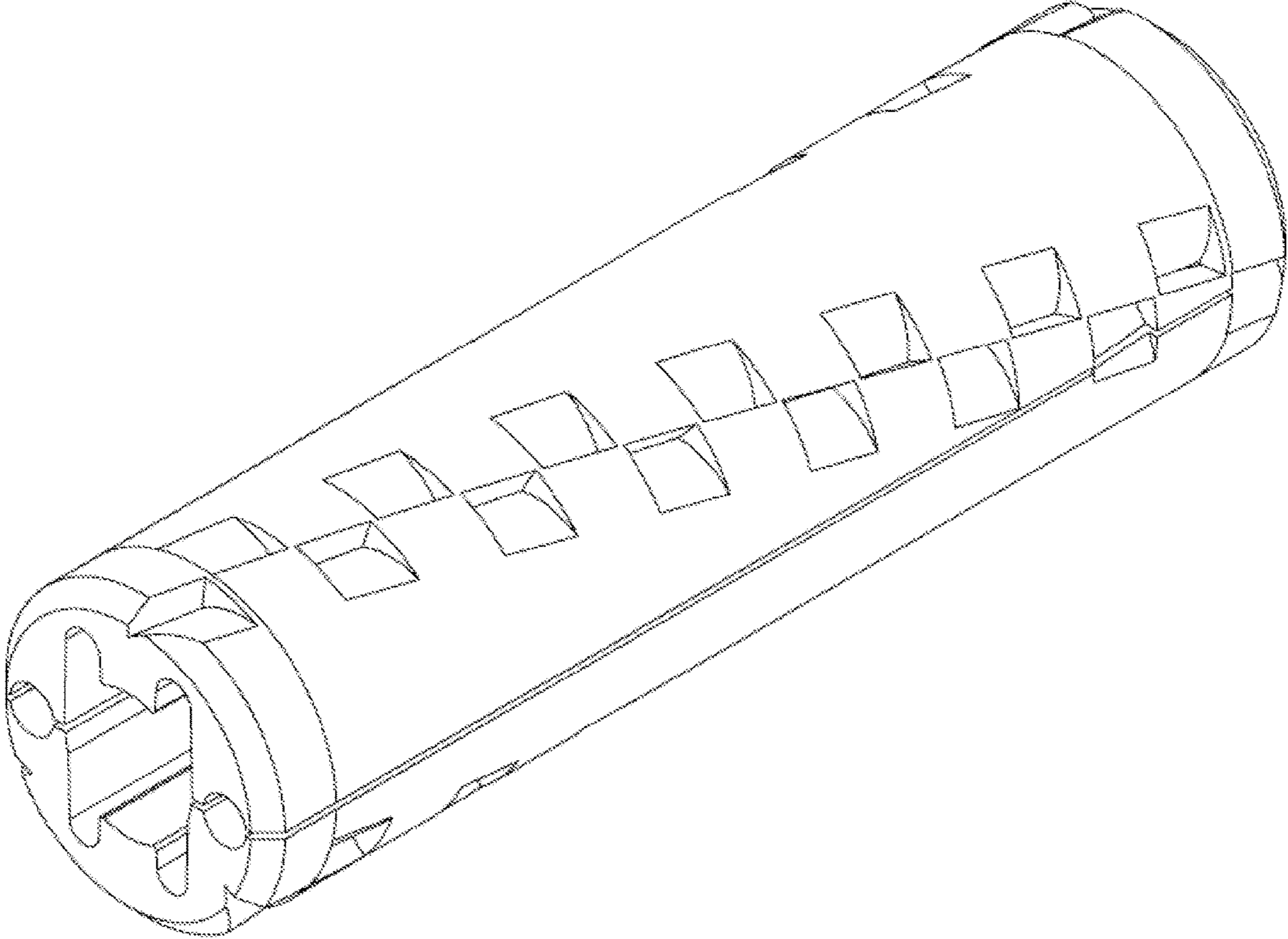


FIGURE 1

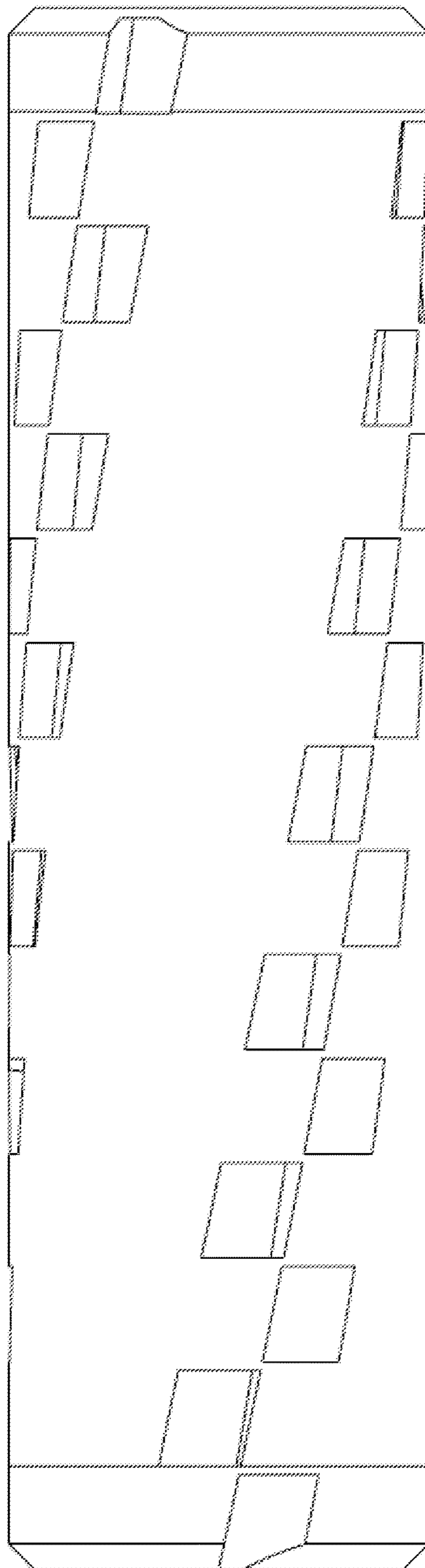


FIGURE 2

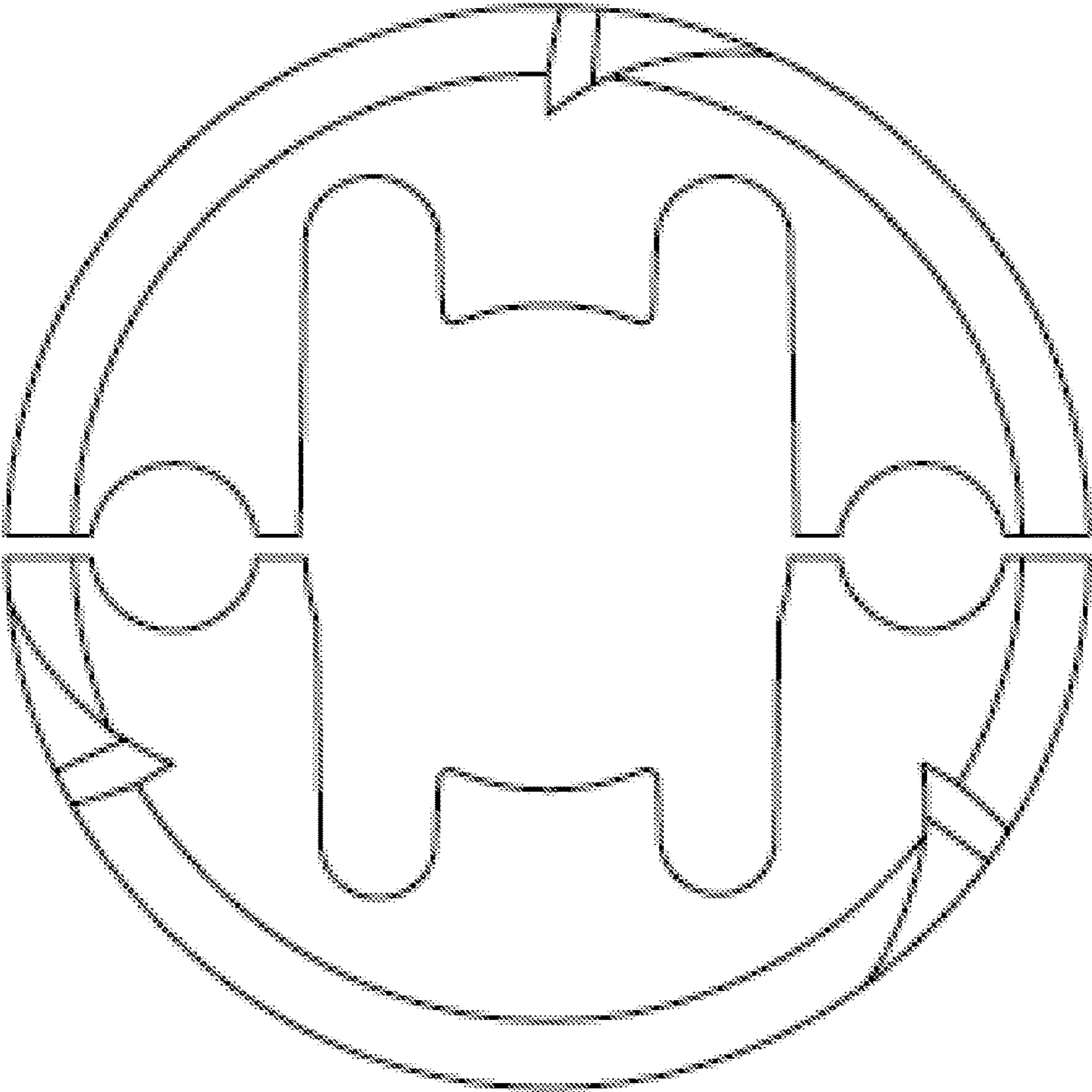


FIGURE 3

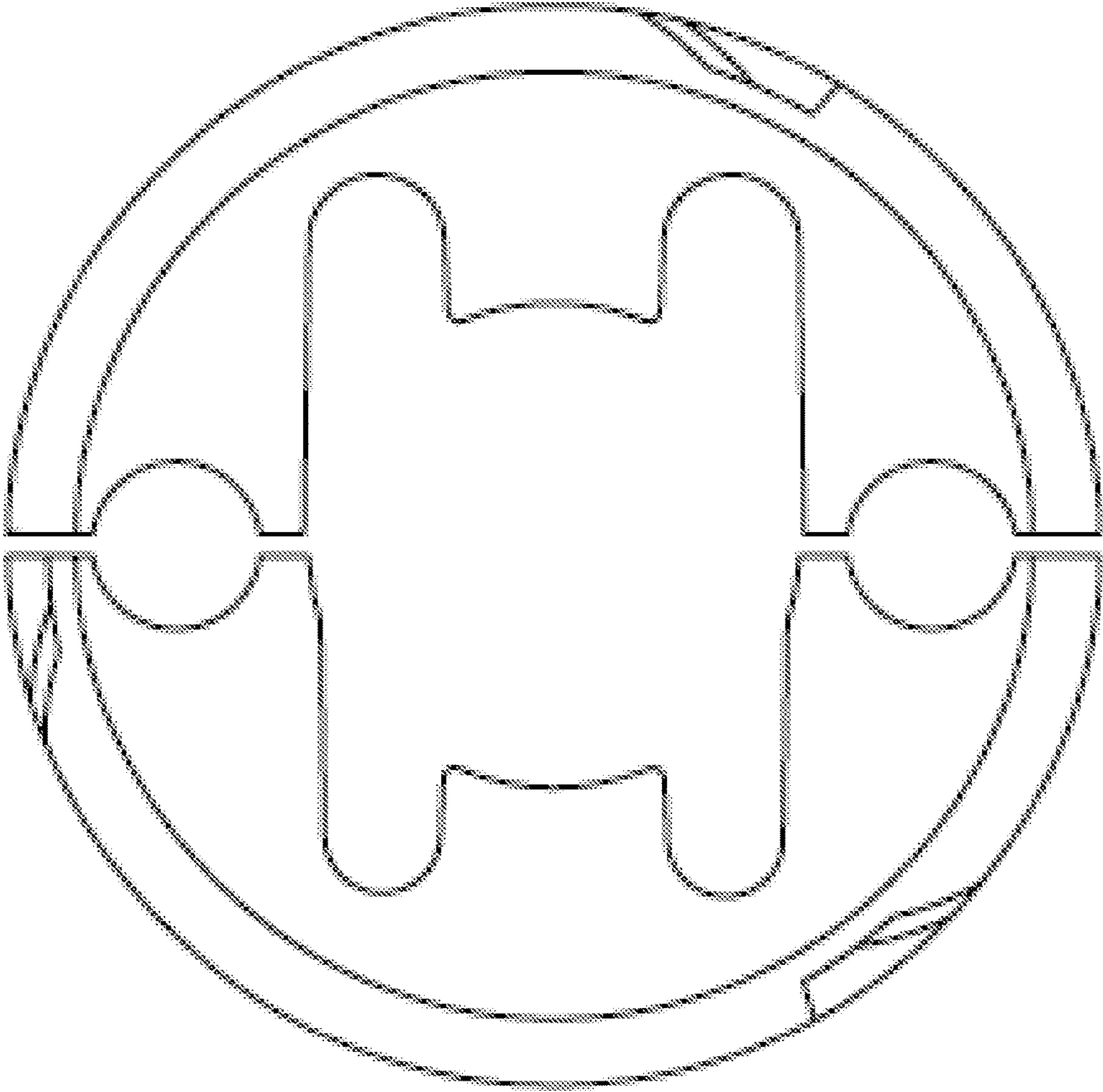


FIGURE 4

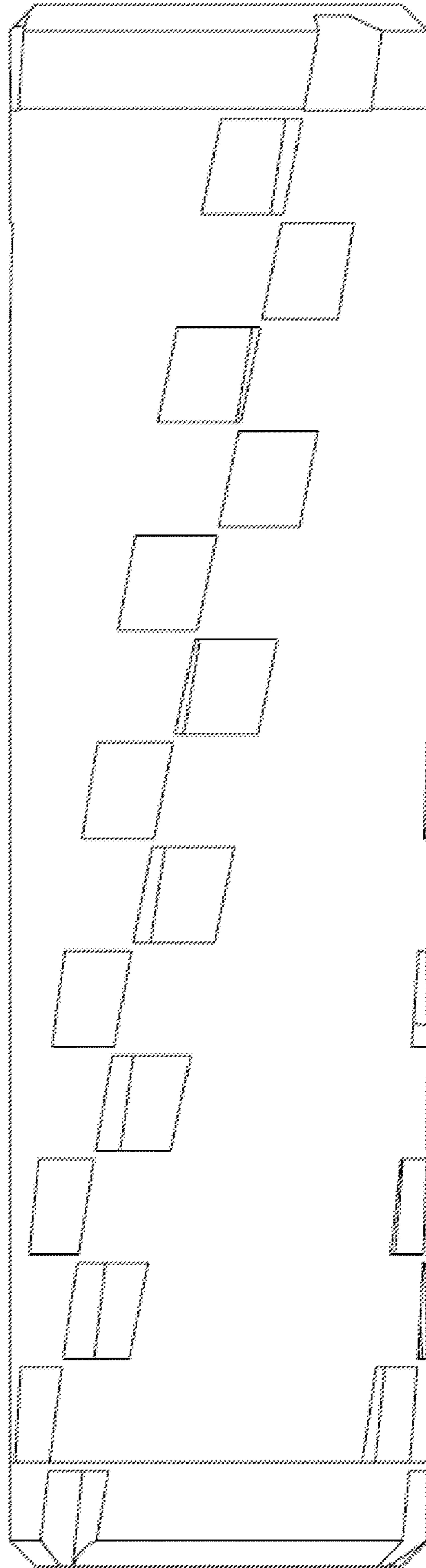


FIGURE 5

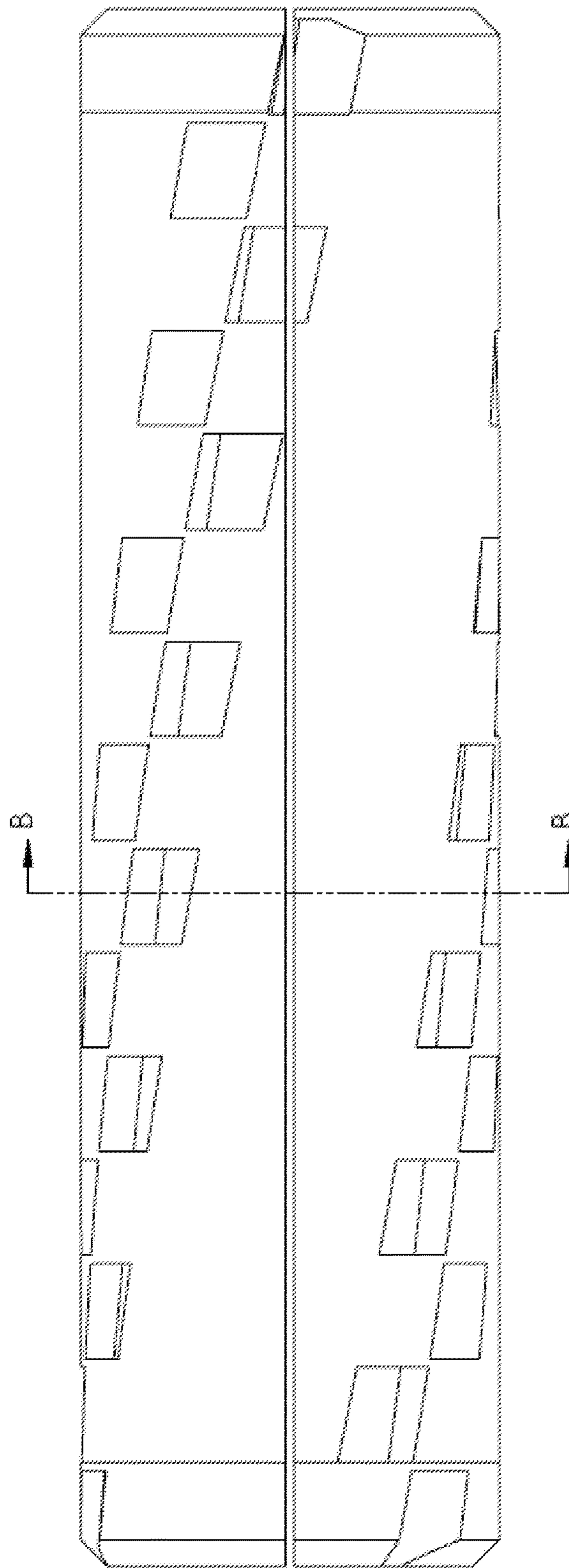


FIGURE 6

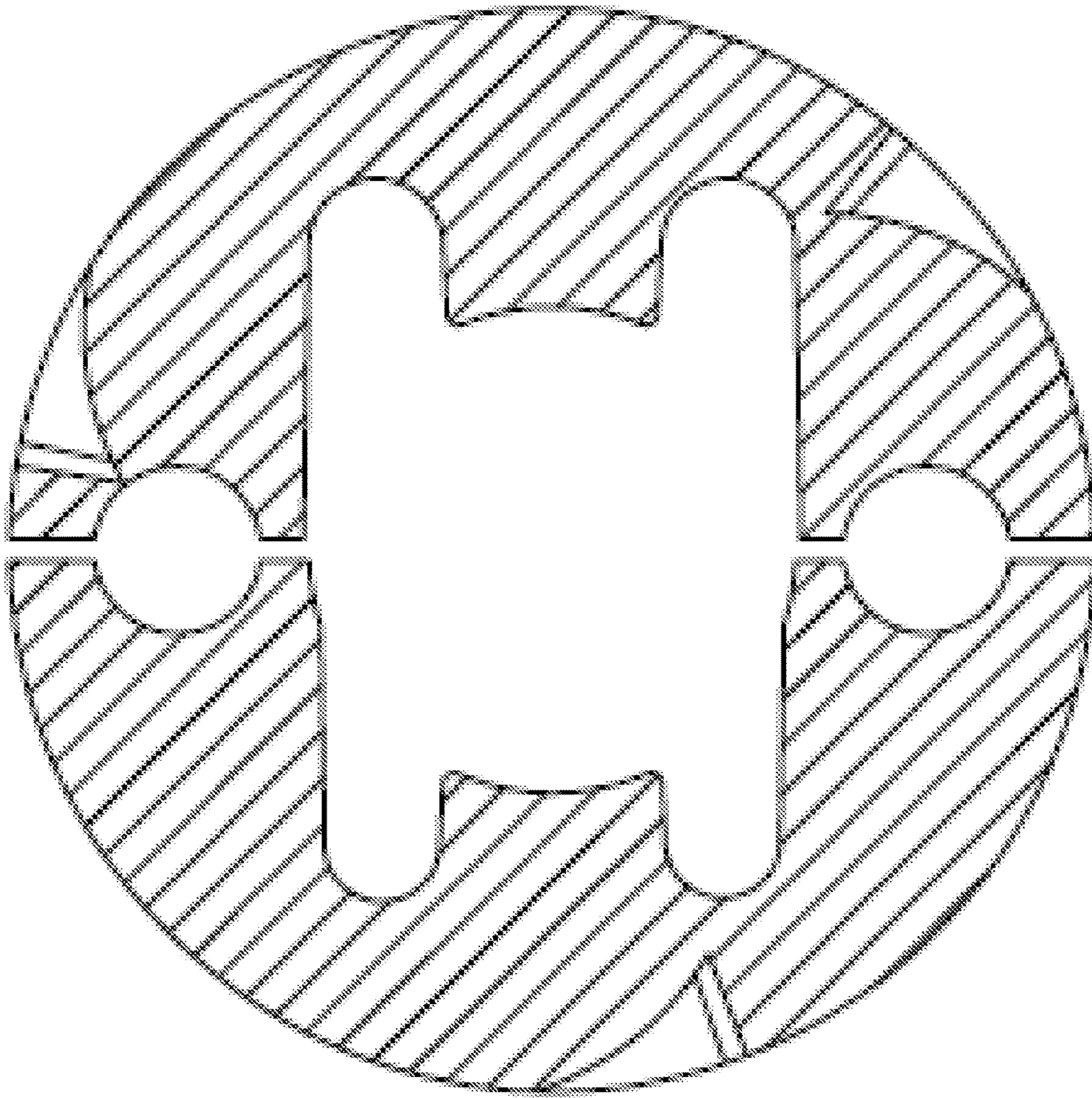


FIGURE 7